



US00D688616S

(12) **United States Design Patent**  
**Fetherston et al.**

(10) **Patent No.:** **US D688,616 S**

(45) **Date of Patent:** **\*\* Aug. 27, 2013**

(54) **WHEEL OR WHEEL COVER**

(75) Inventors: **Mark Fetherston**, Stuttgart (DE); **Klaus Frenzel**, Stuttgart (DE); **Slavche Tanevski**, Stuttgart (DE)

(73) Assignee: **Daimler AG**, Stuttgart (DE)

(\*\*) Term: **14 Years**

(21) Appl. No.: **29/427,315**

(22) Filed: **Jul. 17, 2012**

(30) **Foreign Application Priority Data**

Jan. 18, 2012 (EM) ..... 001977026-0001

(51) **LOC (9) Cl.** ..... **12-16**

(52) **U.S. Cl.**  
USPC ..... **D12/211**

(58) **Field of Classification Search**  
USPC ..... D12/204–213; 301/37.101, 64.101,  
301/65, 64.201

See application file for complete search history.

(56) **References Cited**

U.S. PATENT DOCUMENTS

D437,821 S *	2/2001	Frohlich .....	D12/211
D504,098 S *	4/2005	Gallert .....	D12/209
D542,211 S *	5/2007	Hieke .....	D12/211
D602,834 S *	10/2009	Dilber .....	D12/211
D619,070 S *	7/2010	Pollmann .....	D12/209
D649,923 S *	12/2011	Hans et al. ....	D12/211
D651,956 S *	1/2012	Ectors et al. ....	D12/209
D671,057 S *	11/2012	Tanevski et al. ....	D12/209

\* cited by examiner

*Primary Examiner* — Stacia Cadmus

(74) *Attorney, Agent, or Firm* — Crowell & Moring LLP

(57) **CLAIM**

The ornamental design for a wheel or wheel cover, as shown and described.

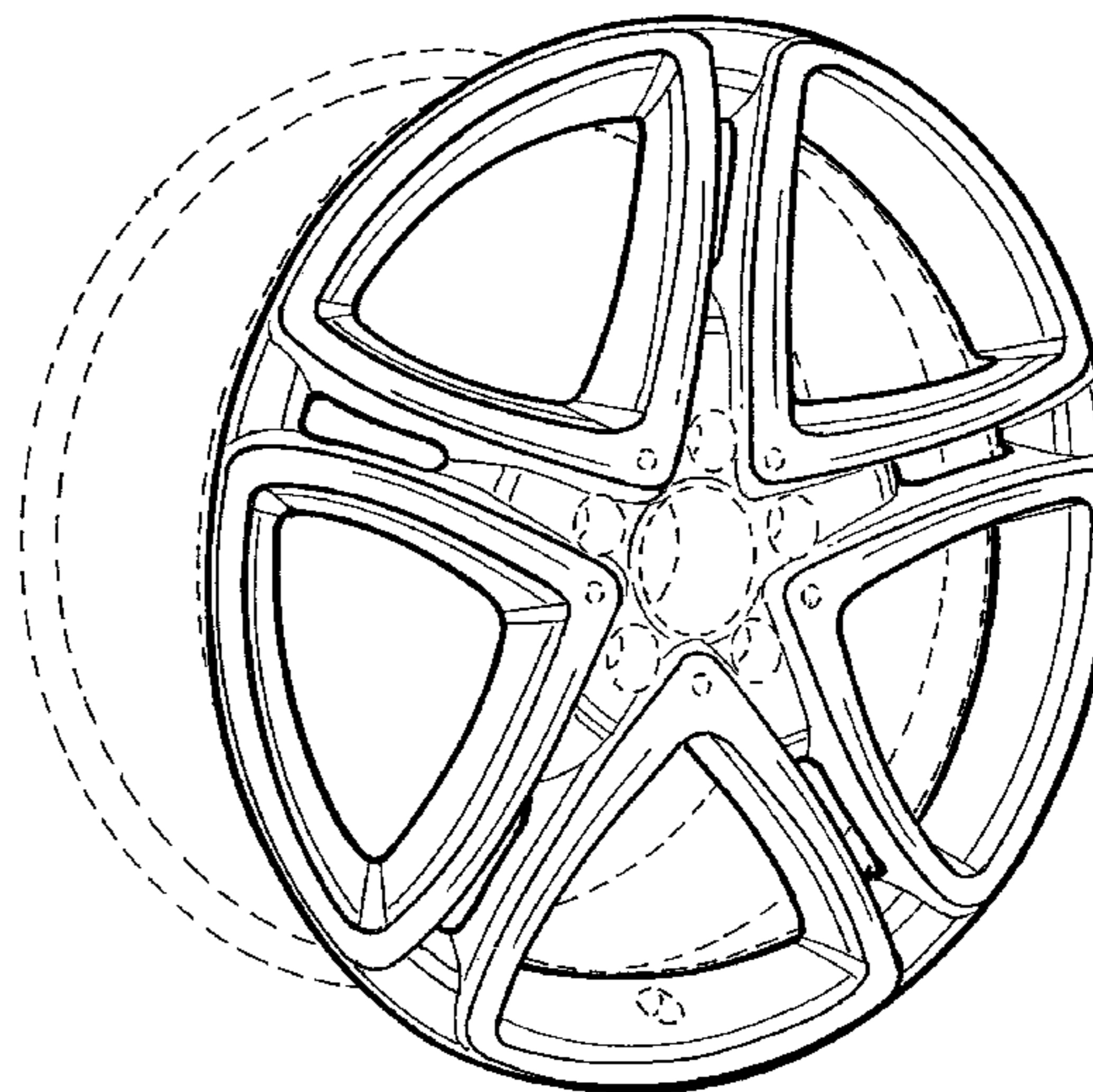
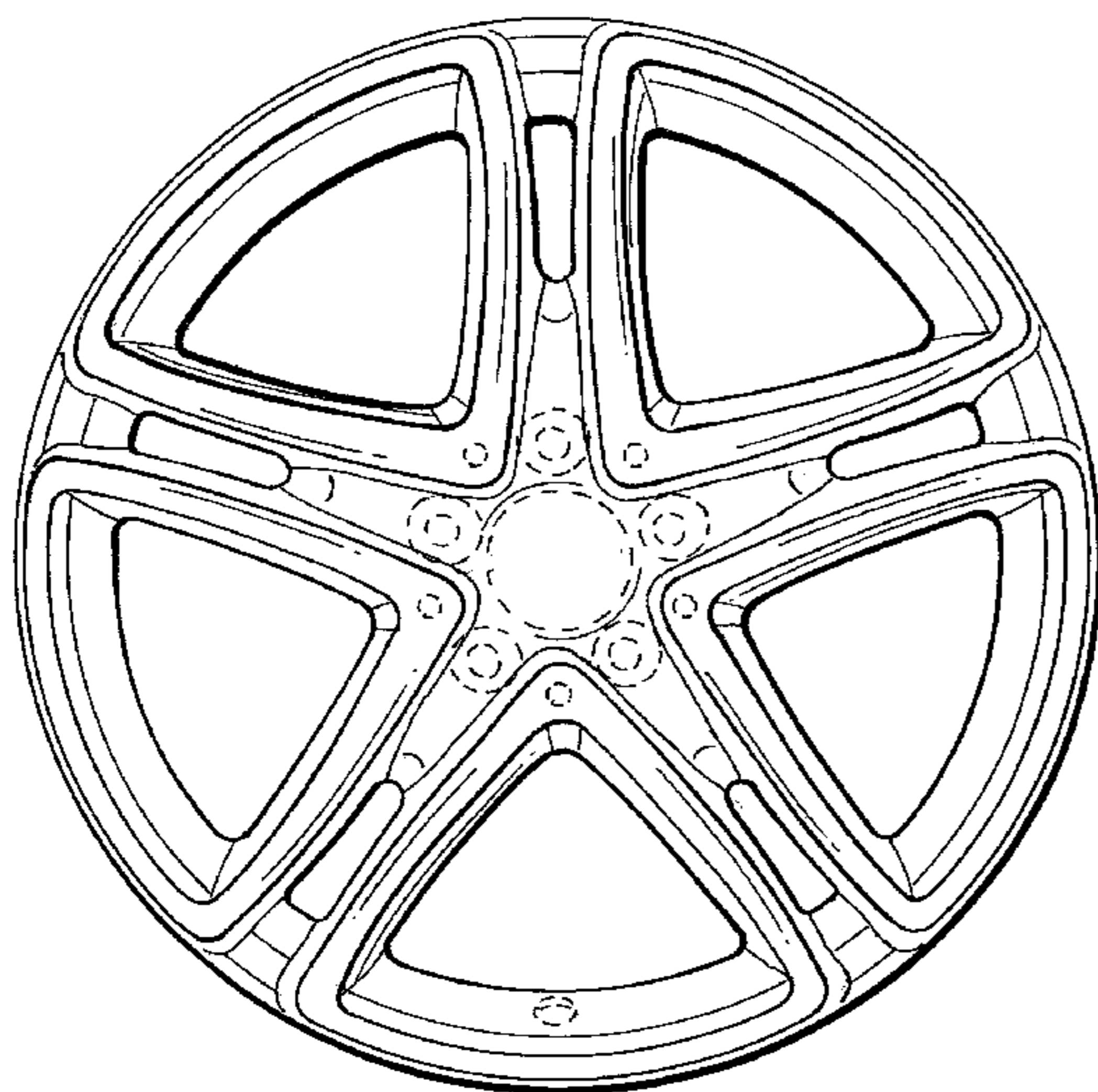
**DESCRIPTION**

FIG. 1 is a front view of a wheel or wheel cover according to our design; and,

FIG. 2 is a perspective view thereof.

The broken line showing of the rear of the wheel, the bolt holes and the center cap in the central hub area is included for the purpose of illustrating environment and forms no part of the claimed design.

**1 Claim, 1 Drawing Sheet**



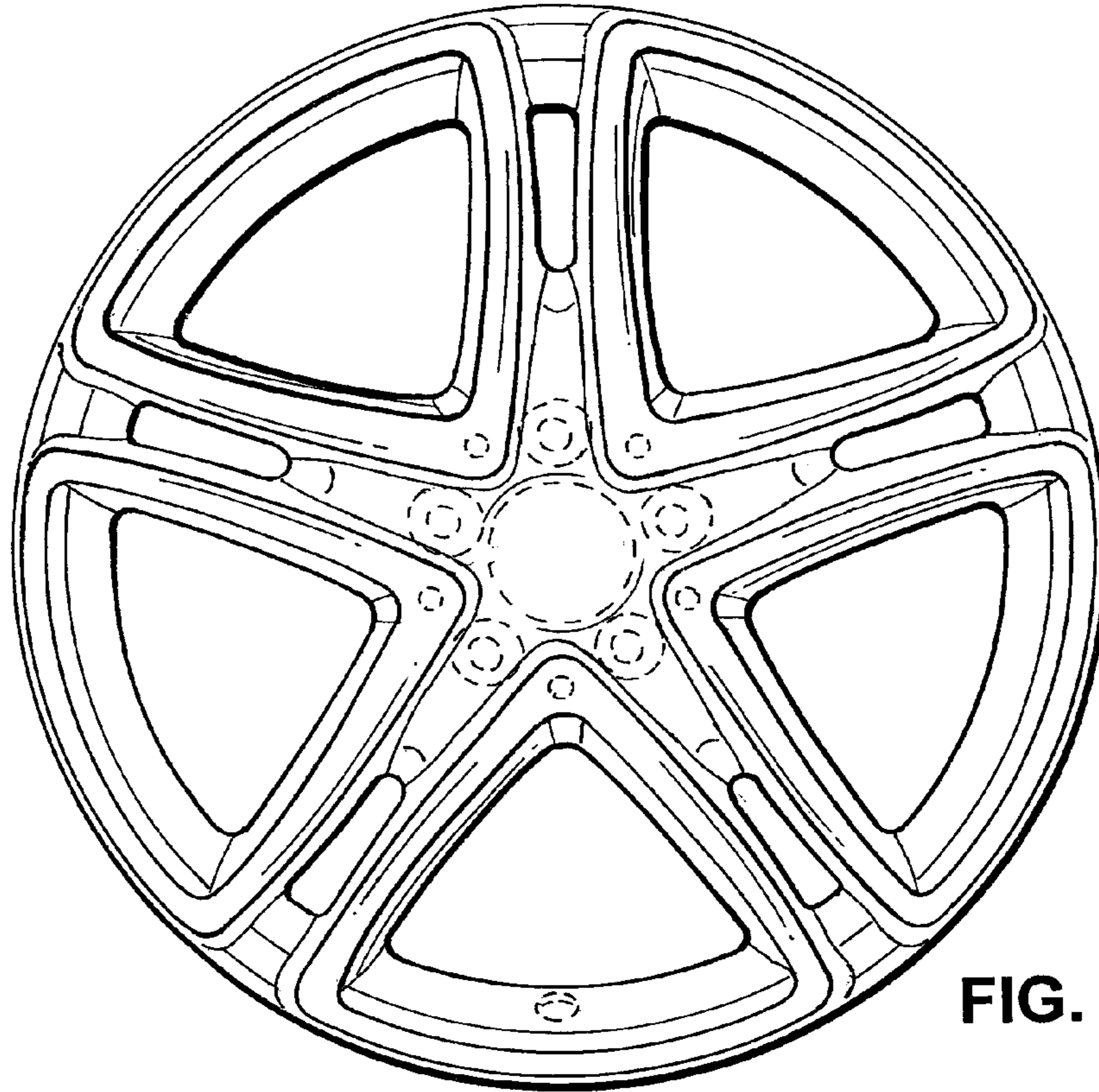


FIG. 1

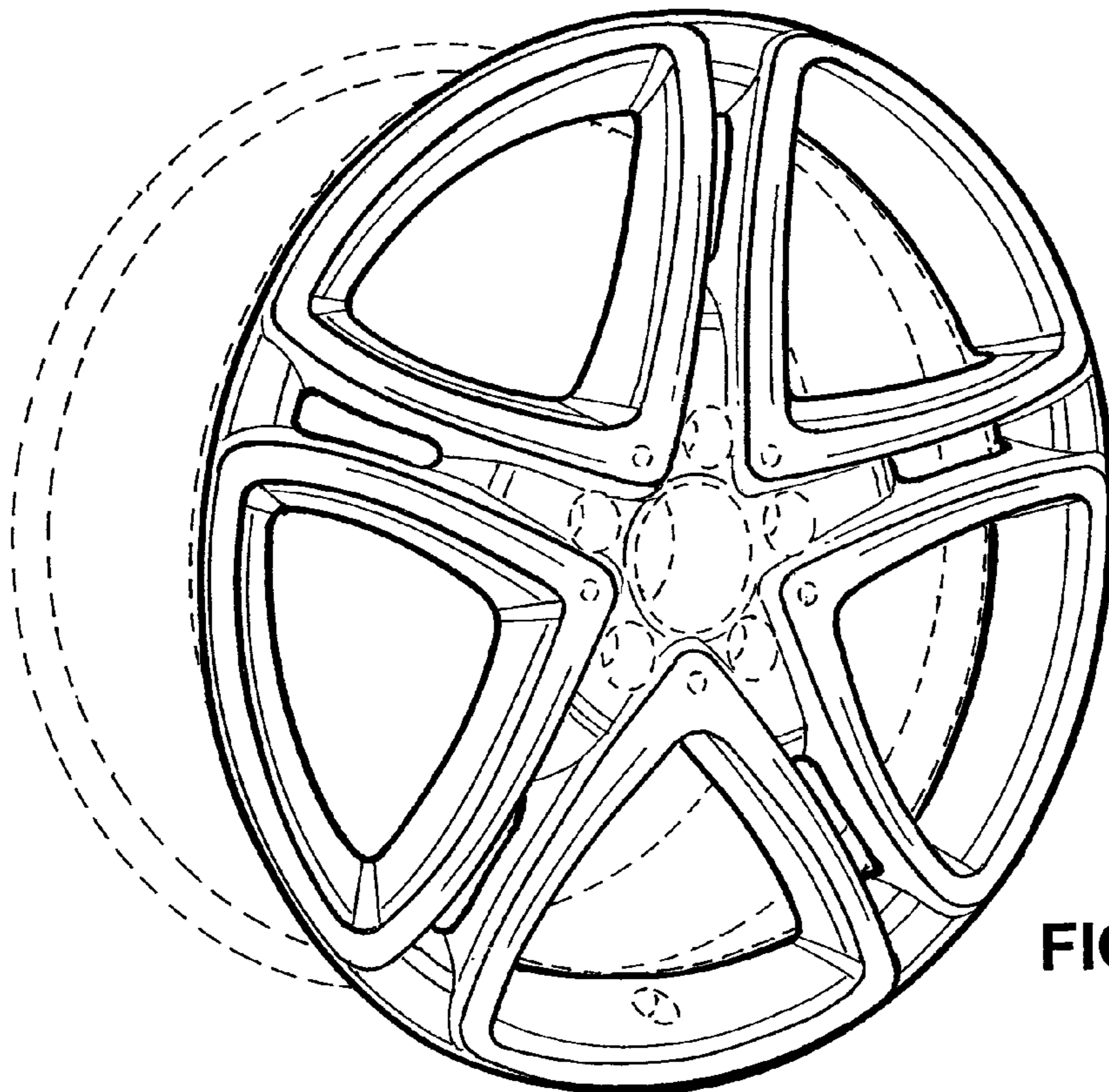


FIG. 2