



US00D688608S

(12) **United States Design Patent**  
**Amy**

(10) **Patent No.:** **US D688,608 S**

(45) **Date of Patent:** **\*\* Aug. 27, 2013**

- (54) **COVER FOR BRAKE ASSEMBLY**
- (75) Inventor: **Leslie John Amy**, Dandenong South (AU)
- (73) Assignee: **Australian Inhibitor Pty Ltd**, Dandenong South (AU)
- (\*\*) Term: **14 Years**
- (21) Appl. No.: **29/430,504**
- (22) Filed: **Aug. 27, 2012**
- (51) **LOC (9) Cl.** ..... **12-16**
- (52) **U.S. Cl.**  
USPC ..... **D12/180**
- (58) **Field of Classification Search**  
USPC ..... D12/179, 180; 188/4 B, 24.22, 26, 188/73.1, 73.31-73.43, 218 XL, 264 R; 280/152.3, 157; 301/6.1, 37.101, 37.371  
See application file for complete search history.

D476,275	S	*	6/2003	Winkler et al.	.....	D12/180
D515,484	S	*	2/2006	Winkler et al.	.....	D12/180
D640,622	S	*	6/2011	Schmitz et al.	.....	D12/180
D647,442	S	*	10/2011	Schmitz et al.	.....	D12/180
2013/0077908	A1	*	3/2013	Frantz et al.	.....	384/480

**FOREIGN PATENT DOCUMENTS**

JP	2010159849	A	*	7/2010
JP	2011220372	A	*	11/2011
JP	2012092876	A	*	5/2012
JP	2012112460	A	*	6/2012

\* cited by examiner

*Primary Examiner* — Philip S Hyder

*Assistant Examiner* — Darlington Ly

(74) *Attorney, Agent, or Firm* — Pearne & Gordon LLP

(57) **CLAIM**

The ornamental design for a cover for brake assembly, as shown and described.

**DESCRIPTION**

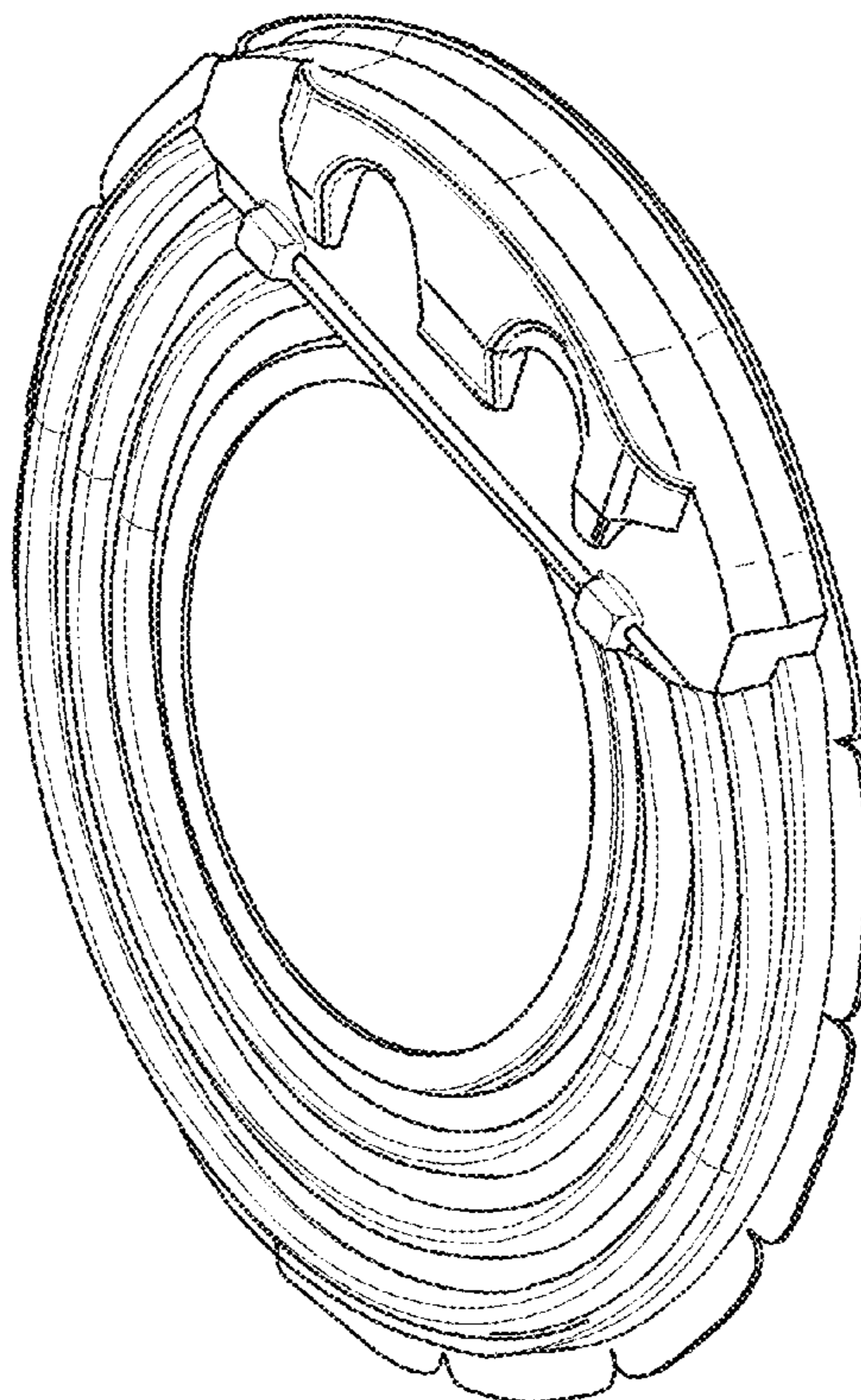
FIG. 1 is a front-left-top perspective view of a cover for brake assembly, showing my new design;  
 FIG. 2 is a front elevational view thereof;  
 FIG. 3 is a back elevational view thereof;  
 FIG. 4 is a right side elevational view thereof;  
 FIG. 5 is a left side elevational view thereof;  
 FIG. 6 is a bottom plan view thereof; and,  
 FIG. 7 is a top plan view thereof.

**1 Claim, 5 Drawing Sheets**

(56) **References Cited**

**U.S. PATENT DOCUMENTS**

3,354,992	A	*	11/1967	Cook et al.	.....	188/72.4
4,226,308	A	*	10/1980	Nishiyama et al.	.....	188/218 A
4,257,498	A	*	3/1981	Nogami	.....	188/218 A
4,295,549	A	*	10/1981	Shibatani et al.	.....	188/218 A
4,484,667	A	*	11/1984	Bottieri, Jr.	.....	188/218 A
5,293,967	A	*	3/1994	Siegrist	.....	188/264 R
D416,526	S	*	11/1999	Hsu	.....	D12/180
6,371,569	B1	*	4/2002	Dean	.....	301/37.101



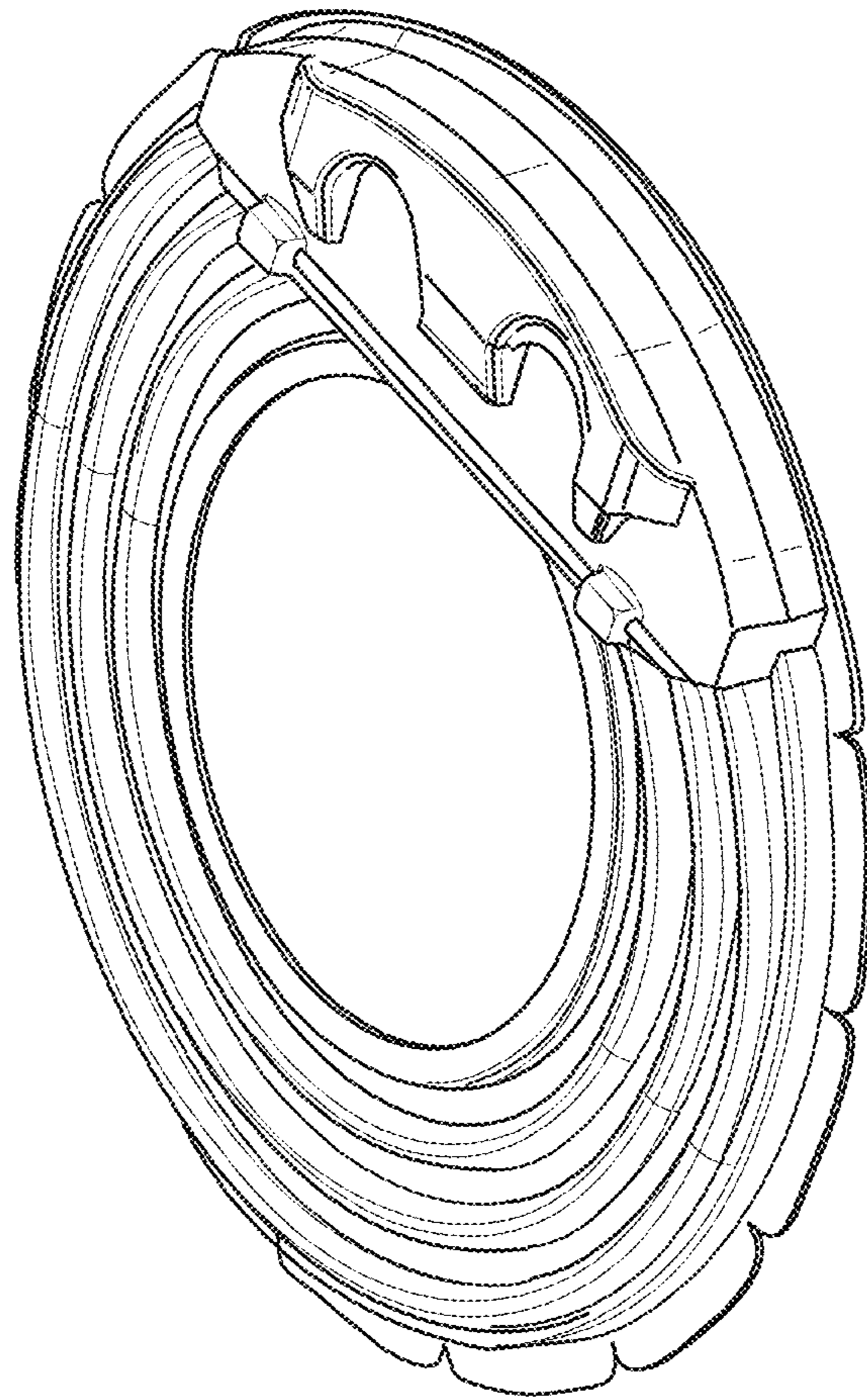


FIGURE 1

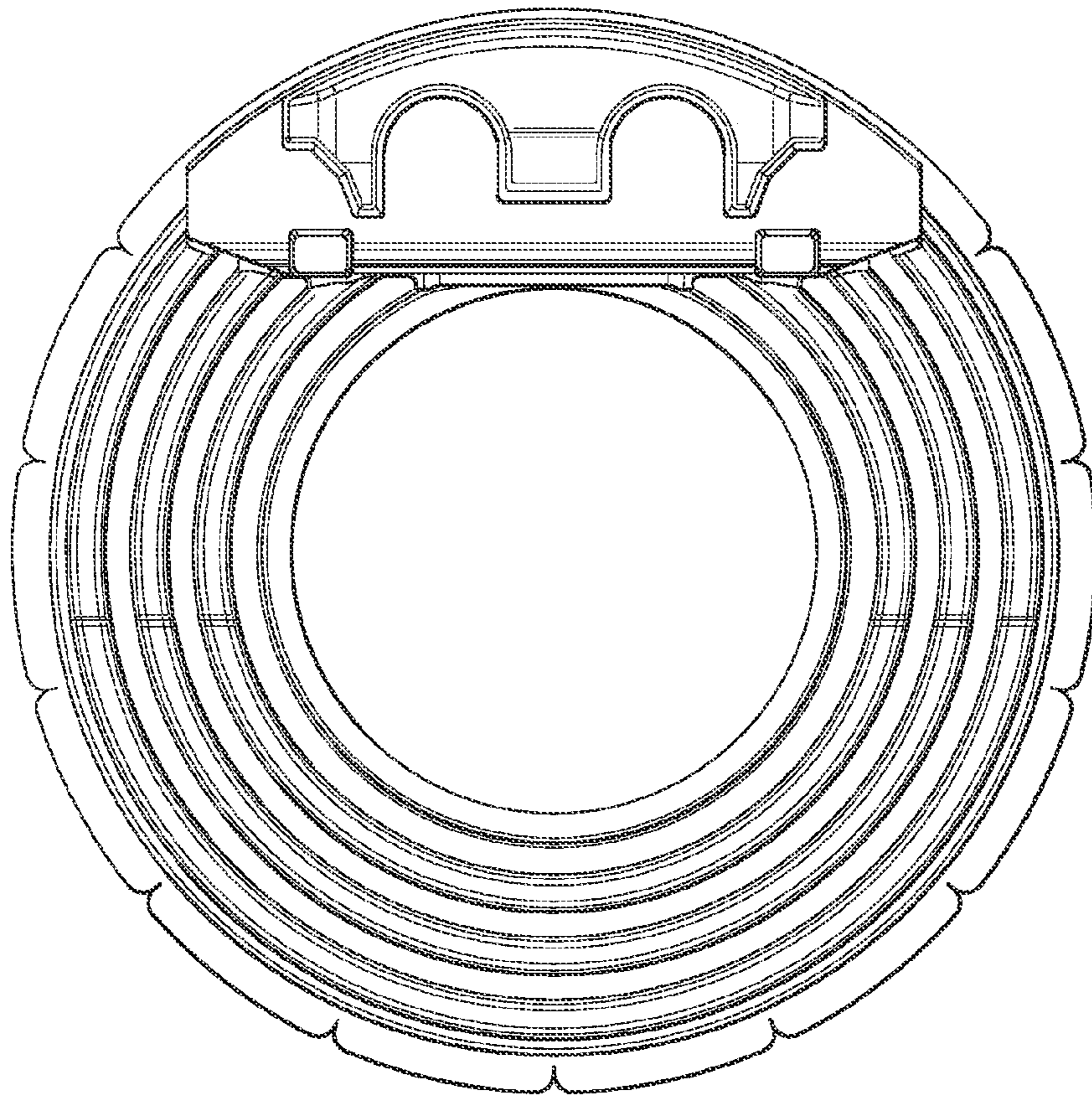


FIGURE 2

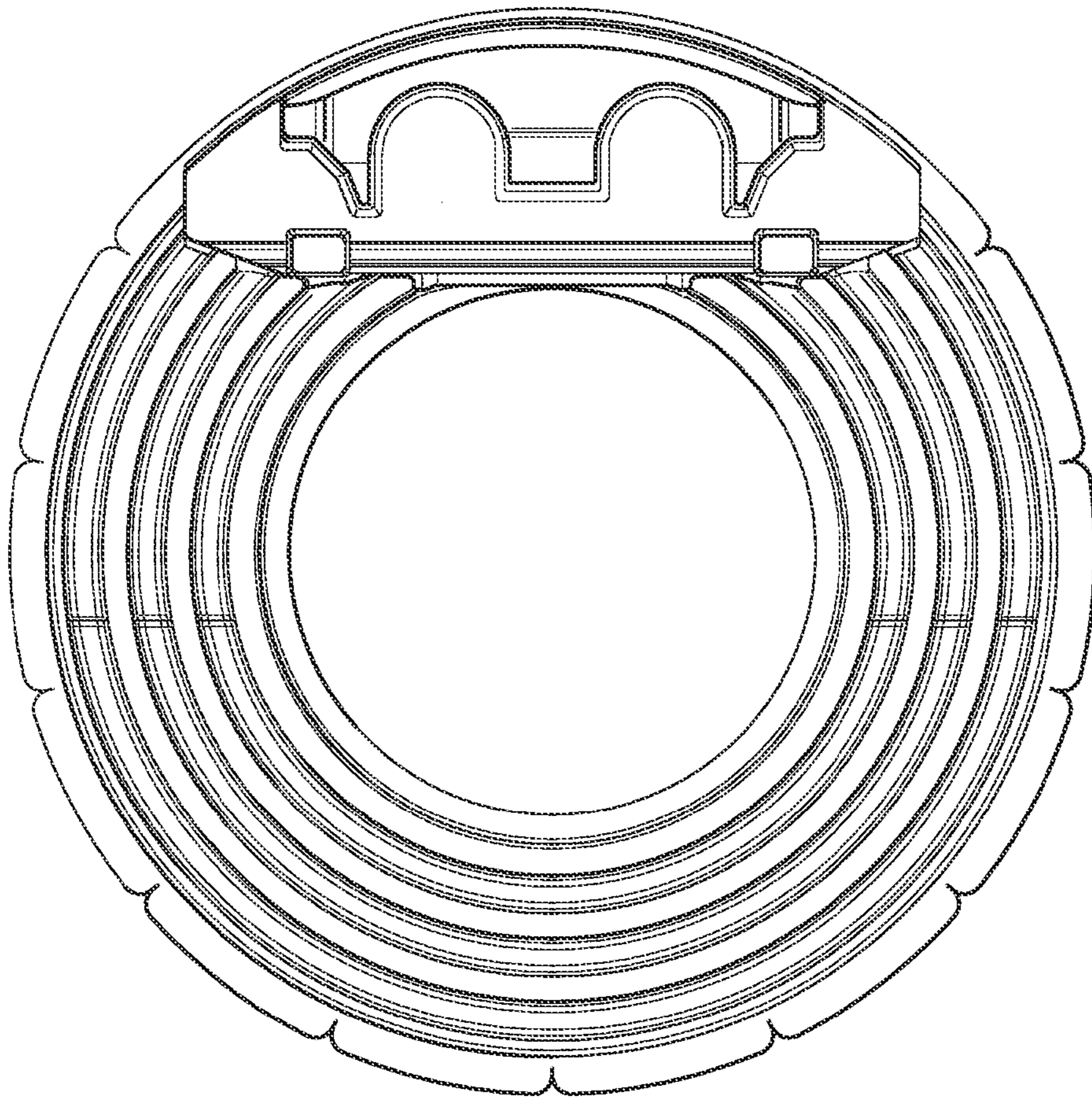


FIGURE 3

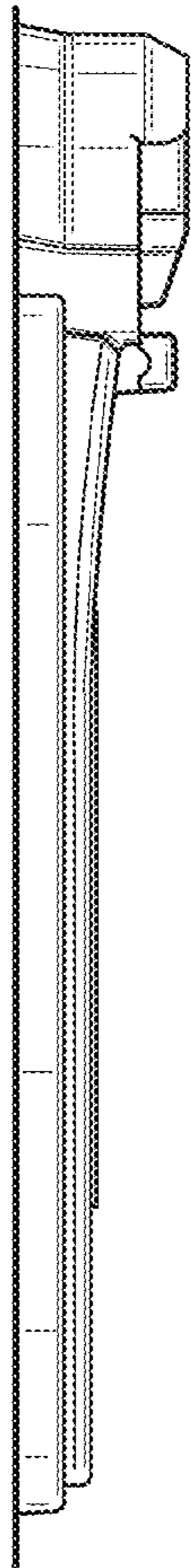


FIGURE 4

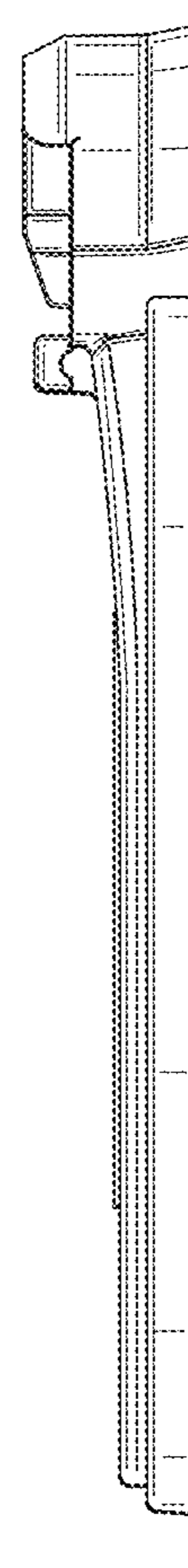


FIGURE 5

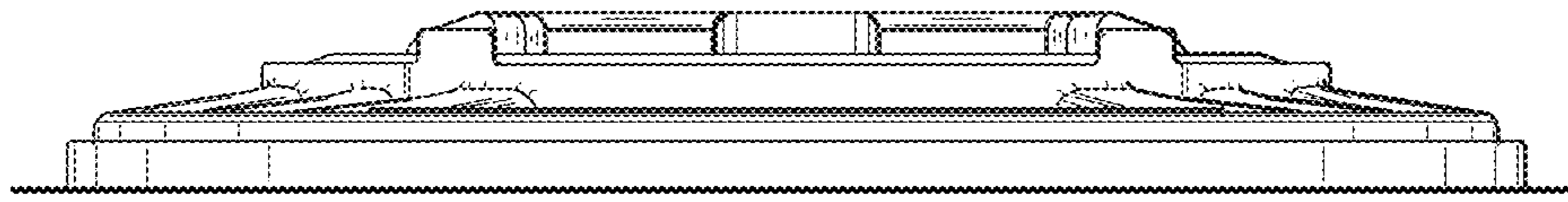


FIGURE 6

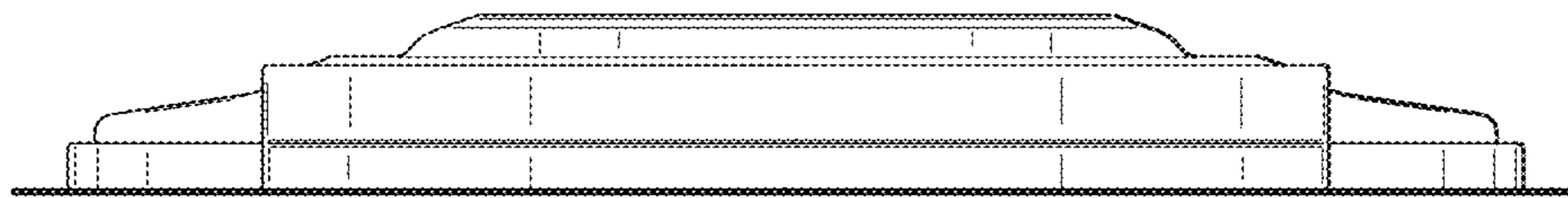


FIGURE 7