



US00D688607S

(12) **United States Design Patent**  
**Foster**

(10) **Patent No.:** **US D688,607 S**

(45) **Date of Patent:** **\*\* Aug. 27, 2013**

(54) **SHIFT KNOB ADAPTER**

(71) Applicant: **Darren Foster**, Fulton, IL (US)

(72) Inventor: **Darren Foster**, Fulton, IL (US)

(\*\*) Term: **14 Years**

(21) Appl. No.: **29/433,766**

(22) Filed: **Oct. 4, 2012**

(51) **LOC (9) Cl.** ..... **12-16**

(52) **U.S. Cl.**  
USPC ..... **D12/179**

(58) **Field of Classification Search**

USPC ..... D12/174, 179; D14/412-416, 302;  
D21/324, 328, 333, 565, 566; 74/473.14,  
74/473.16, 473.23, 473.29, 473.3, 490.14,  
74/523, 543, 573.1; 446/7, 430; 477/113

See application file for complete search history.

(56) **References Cited**

**U.S. PATENT DOCUMENTS**

5,602,525	A *	2/1997	Hsu	.....	340/456
D517,462	S *	3/2006	Castiglione et al.	.....	D12/179
D594,796	S *	6/2009	Ballard et al.	.....	D12/179
2007/0137416	A1 *	6/2007	Mowzoun	.....	74/558.5
2009/0213603	A1 *	8/2009	Lin	.....	362/491
2009/0223318	A1 *	9/2009	Ballard	.....	74/473.34
2010/0000359	A1 *	1/2010	Kops et al.	.....	74/473.3

**FOREIGN PATENT DOCUMENTS**

JP	2008018909	A *	1/2008
JP	2008126726	A *	6/2008
TW	339436	U *	9/2008

**OTHER PUBLICATIONS**

Barton Shift Knob and Extended Adapter V6/GT 2011-2014. CJ Pony Parts. Oct. 3, 2012[online], [retrieved on Apr. 1, 2013]. Retrieved from the Internet <URL: <http://www.cjponyparts.com/barton-shift-knob-and-extended-adapter-v6-gt-2011-2013/p/MSK119/>>.\*

Chevrolet Camaro 2009+Shift Knob. Boot Retainer Adapter. TWM Performance . 2009 [online], [retrieved on Apr. 1, 2013]. Retrieved

from the Internet <URL: <http://www.twmshiftknobs.com/shiftknobs/chevroletshiftknobs/chevrolet-camaro-2009-andup-shift-knobs.html>>.\*

\* cited by examiner

*Primary Examiner* — Philip S Hyder

*Assistant Examiner* — Darlington Ly

(74) *Attorney, Agent, or Firm* — Hamilton IP Law, PC; Jay R. Hamilton; Charles A. Damschen

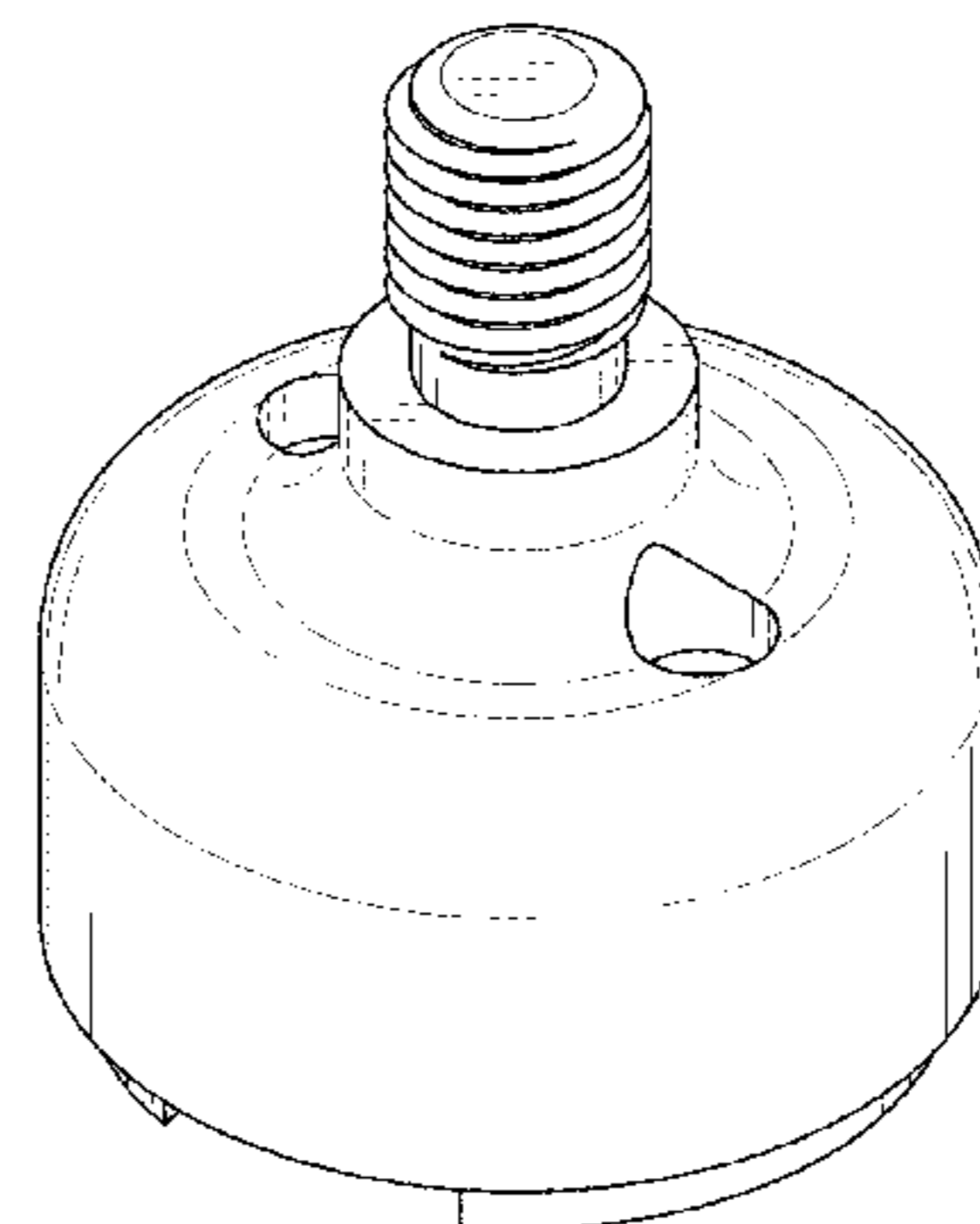
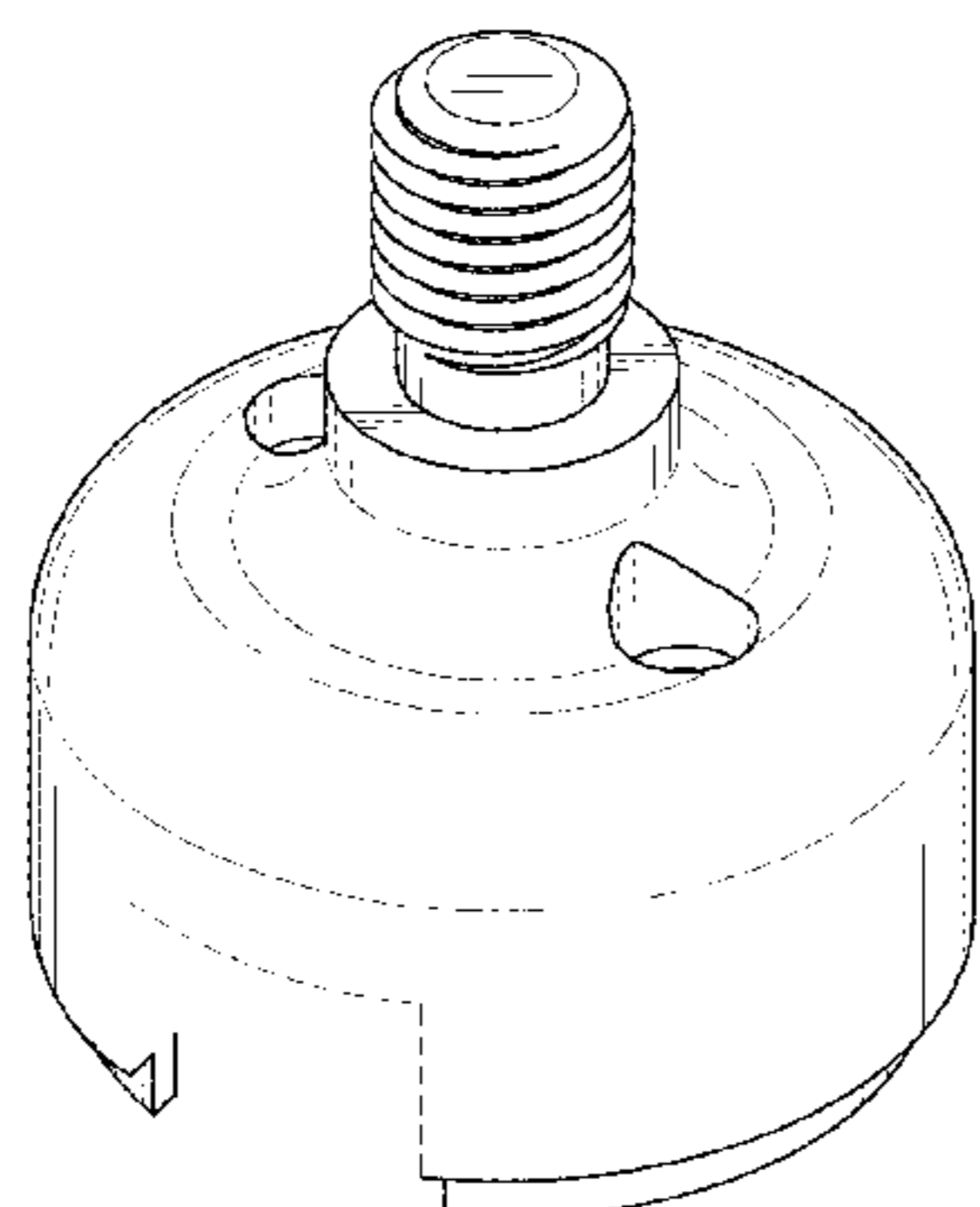
(57) **CLAIM**

The ornamental design for a shift knob adapter, as shown and described.

**DESCRIPTION**

FIG. 1 is a top front perspective view showing my new design; FIG. 2 is a bottom front perspective view thereof; FIG. 3 is a right side view thereof; FIG. 4 is a left side view thereof; FIG. 5 is a front view thereof; FIG. 6 is a rear view thereof; FIG. 7 is a top plan view thereof; FIG. 8 is a bottom plan view thereof; FIG. 9 is a top front perspective view of the shift knob adapter affixed to a shift knob; FIG. 10 is a top front perspective view showing another embodiment of my new design; FIG. 11 is a bottom front perspective view thereof; FIG. 12 is a right side view thereof; FIG. 13 is a left side view thereof; FIG. 14 is a front view thereof; FIG. 15 is a rear view thereof; FIG. 16 is a top plan view thereof; FIG. 17 is a bottom plan view thereof; and, FIG. 18 is a top front perspective view of the shift knob adapter affixed to a shift knob. The broken lines shown in the drawings illustrate environmental structure and portions of the shift knob adapter that form no part of claimed design.

**1 Claim, 10 Drawing Sheets**



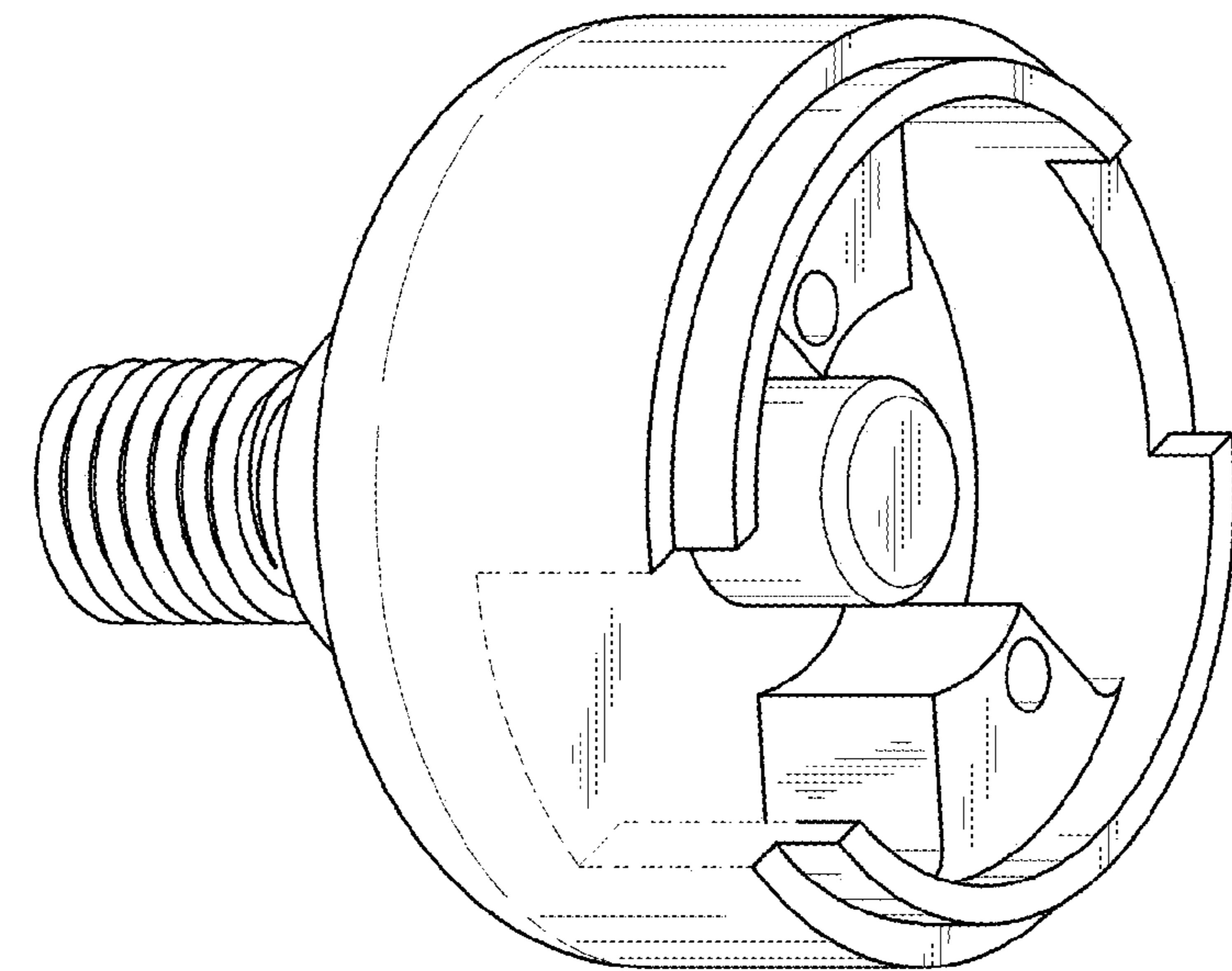


FIG. 1

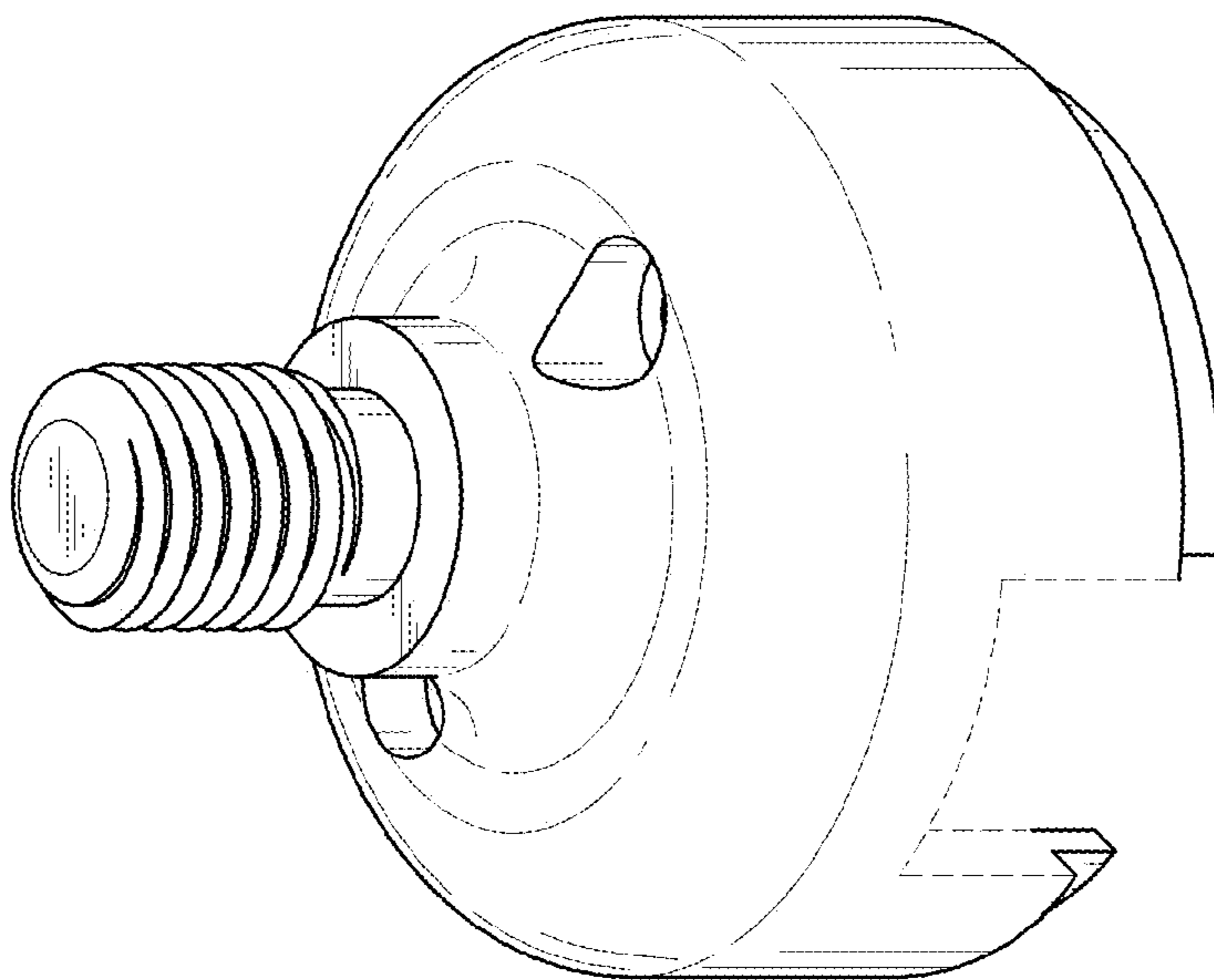


FIG. 2

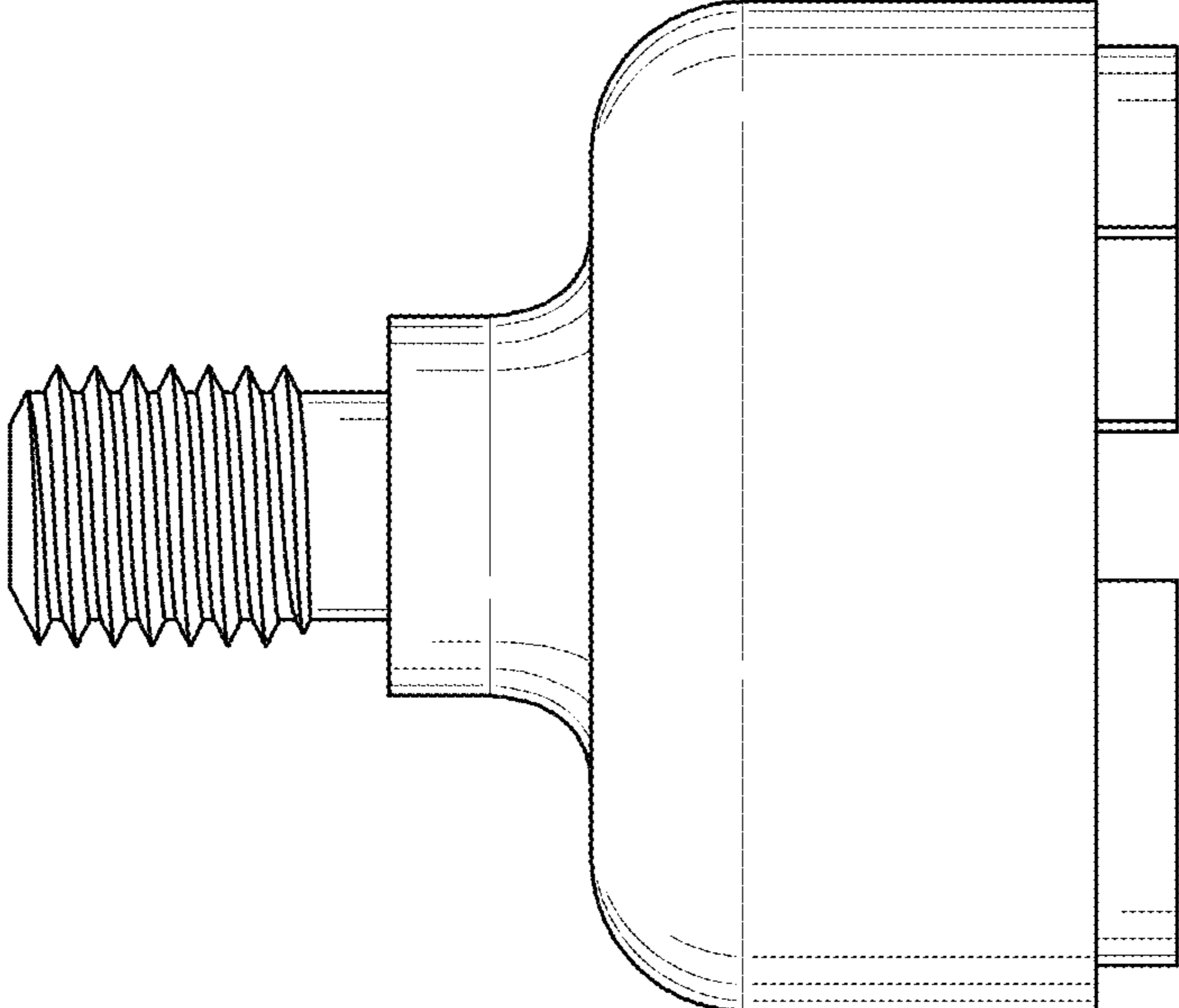


FIG. 3

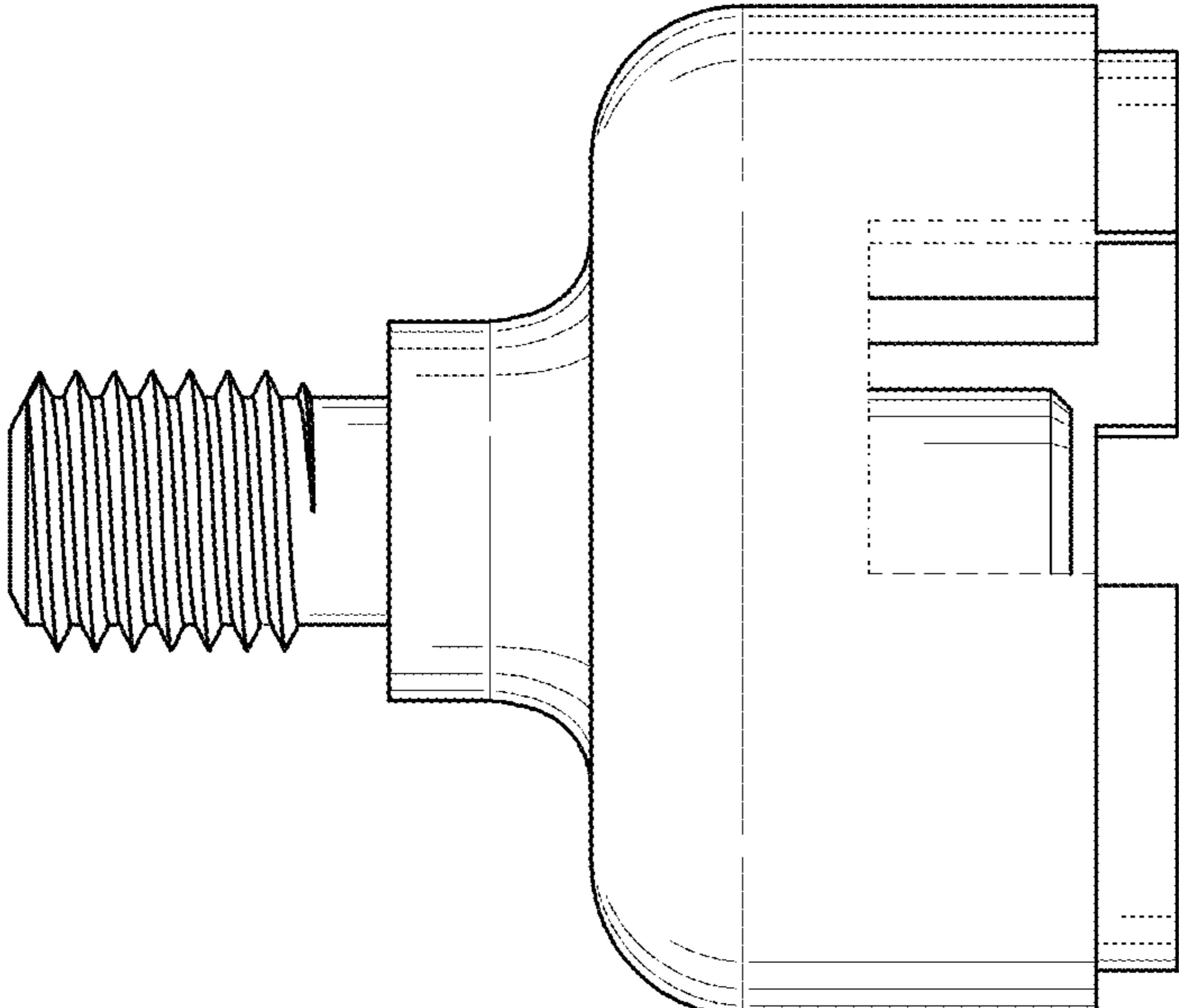


FIG. 4

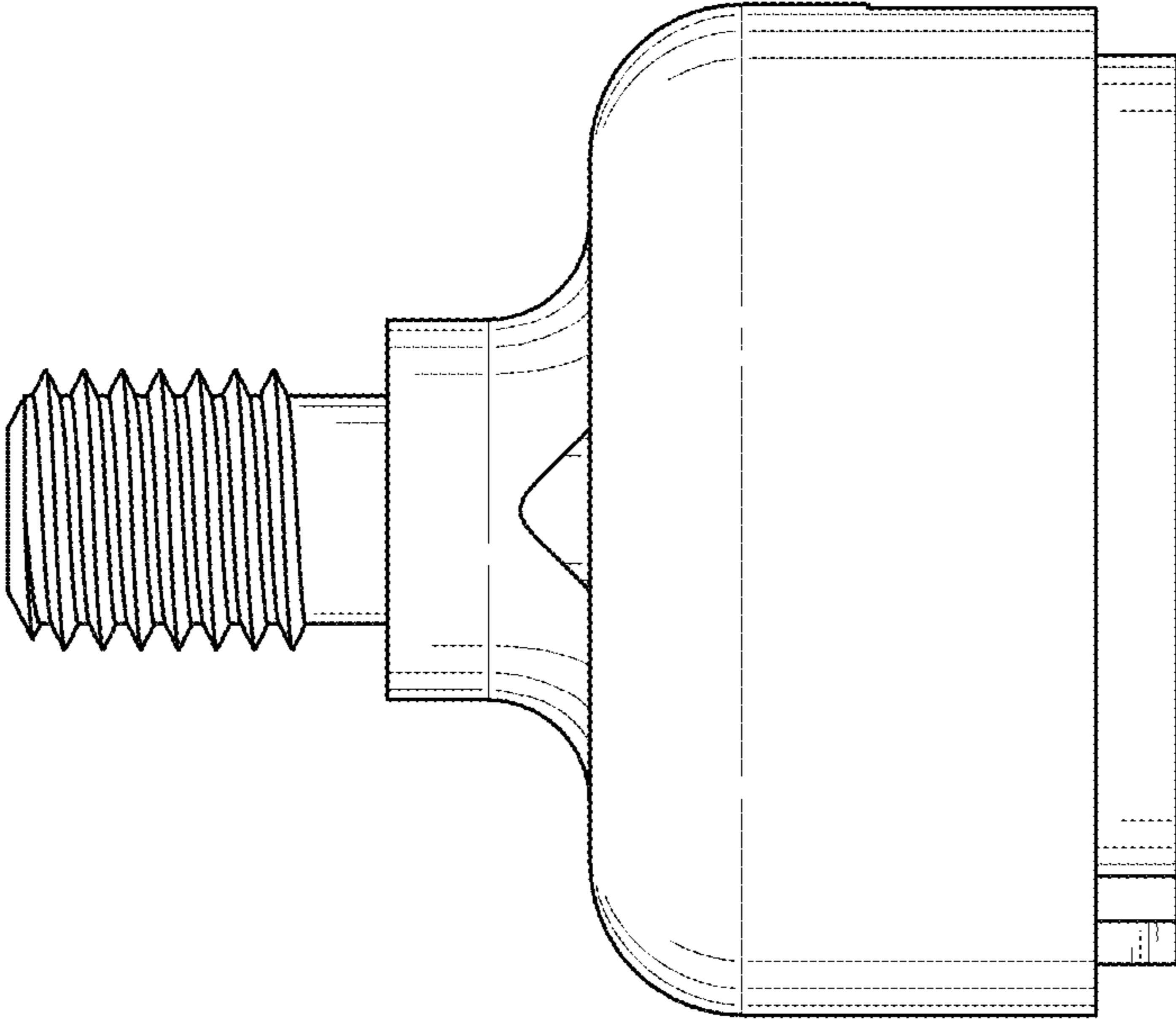


FIG. 5

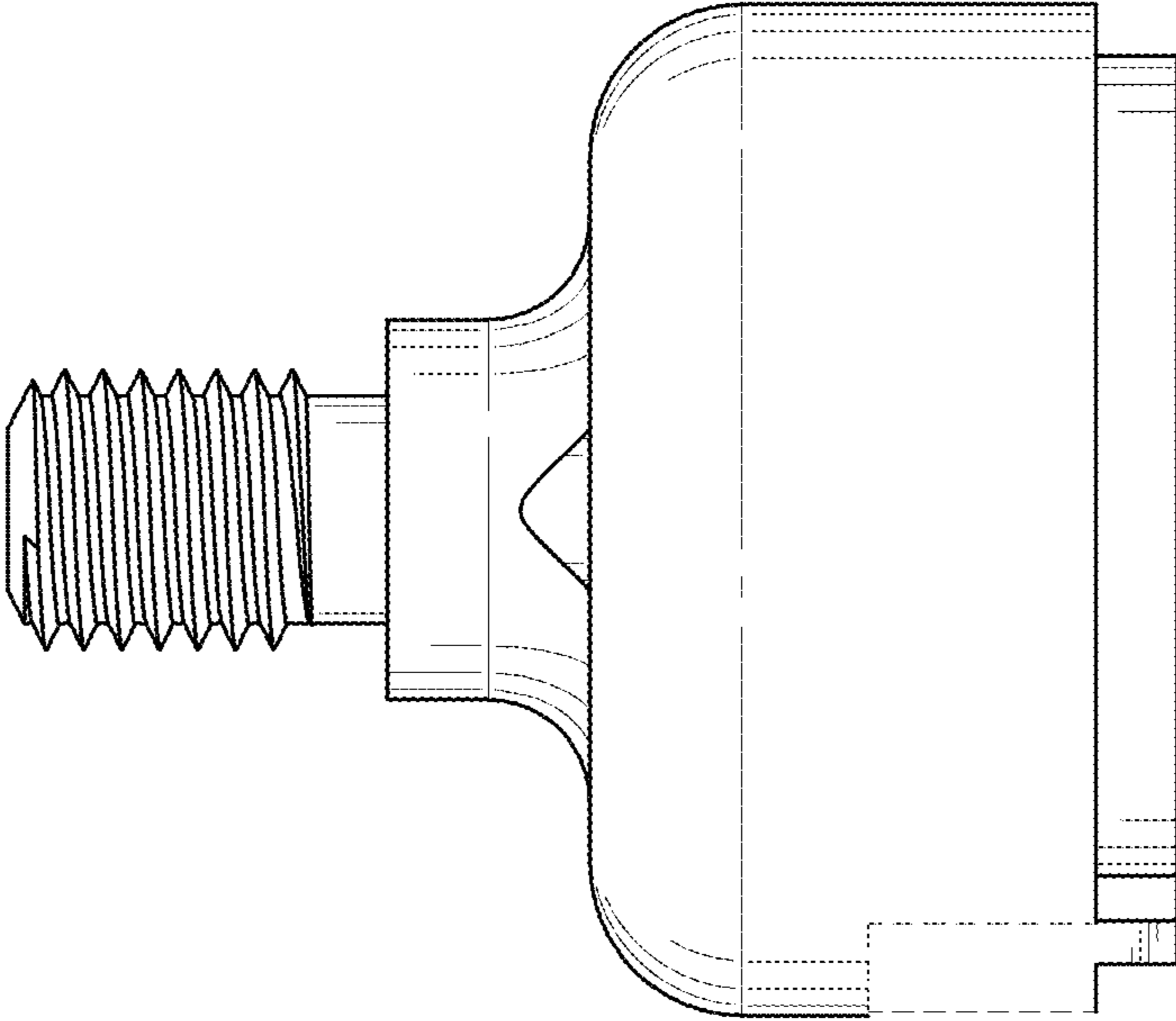


FIG. 6

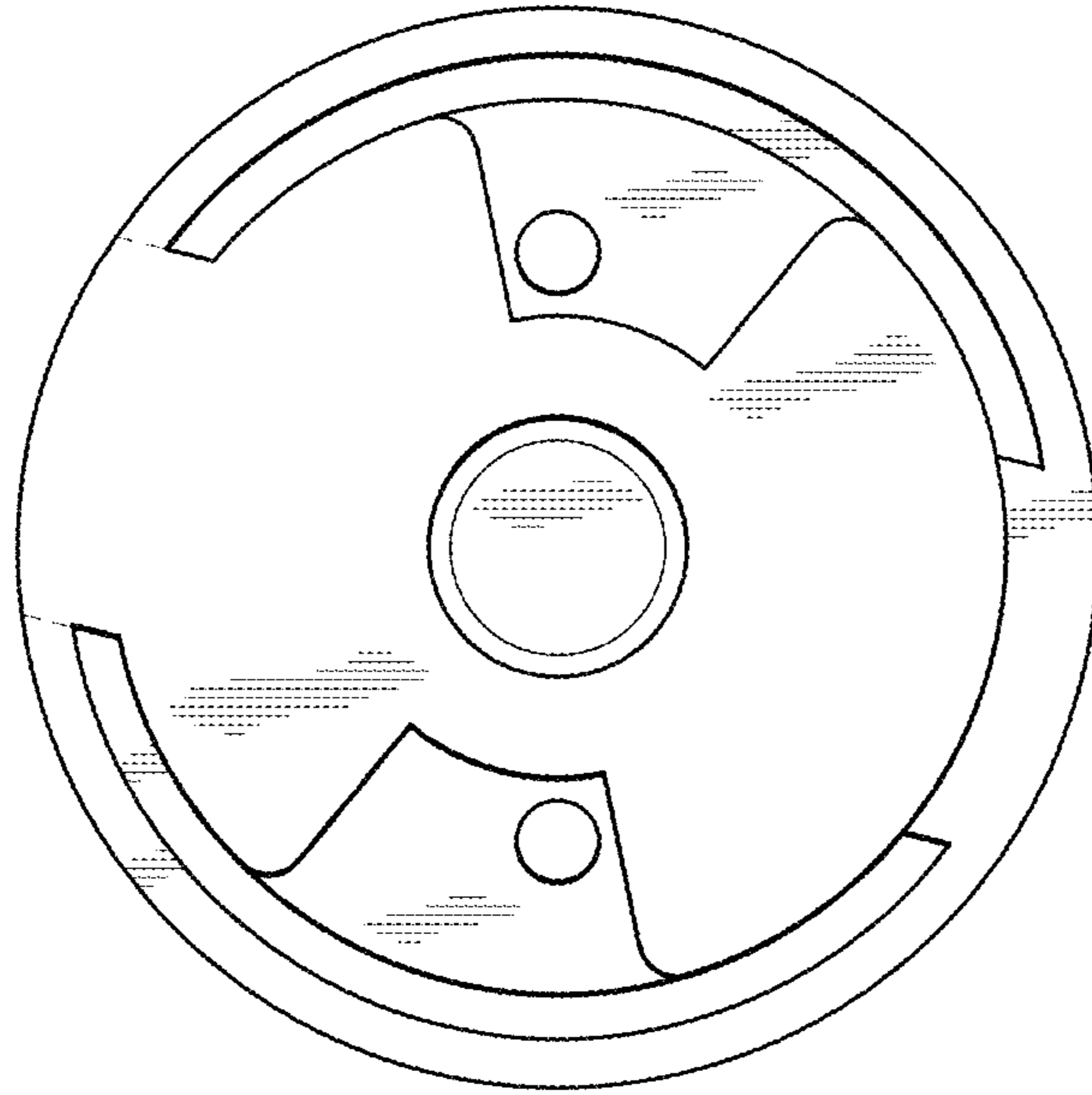


FIG. 8

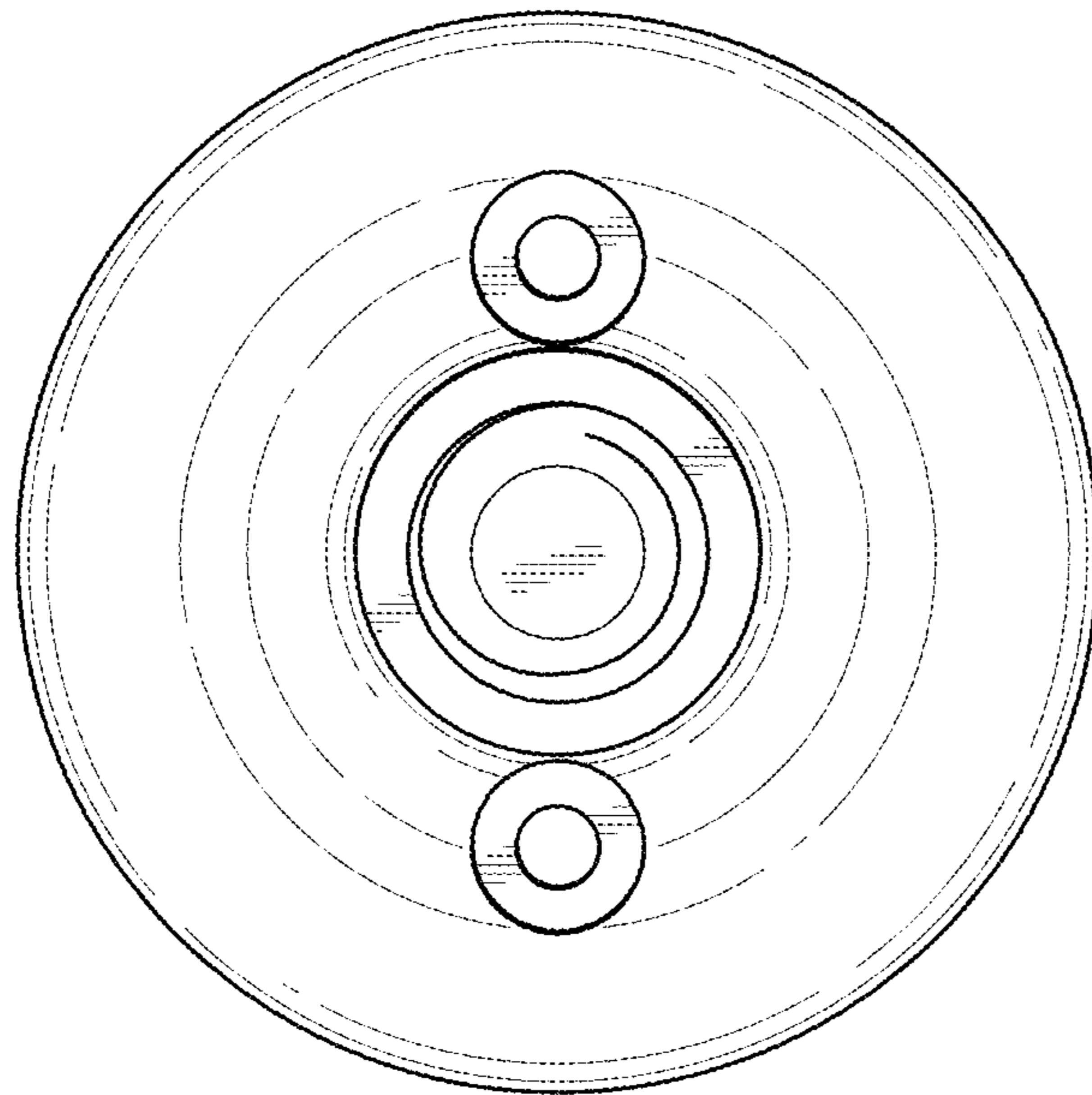


FIG. 7

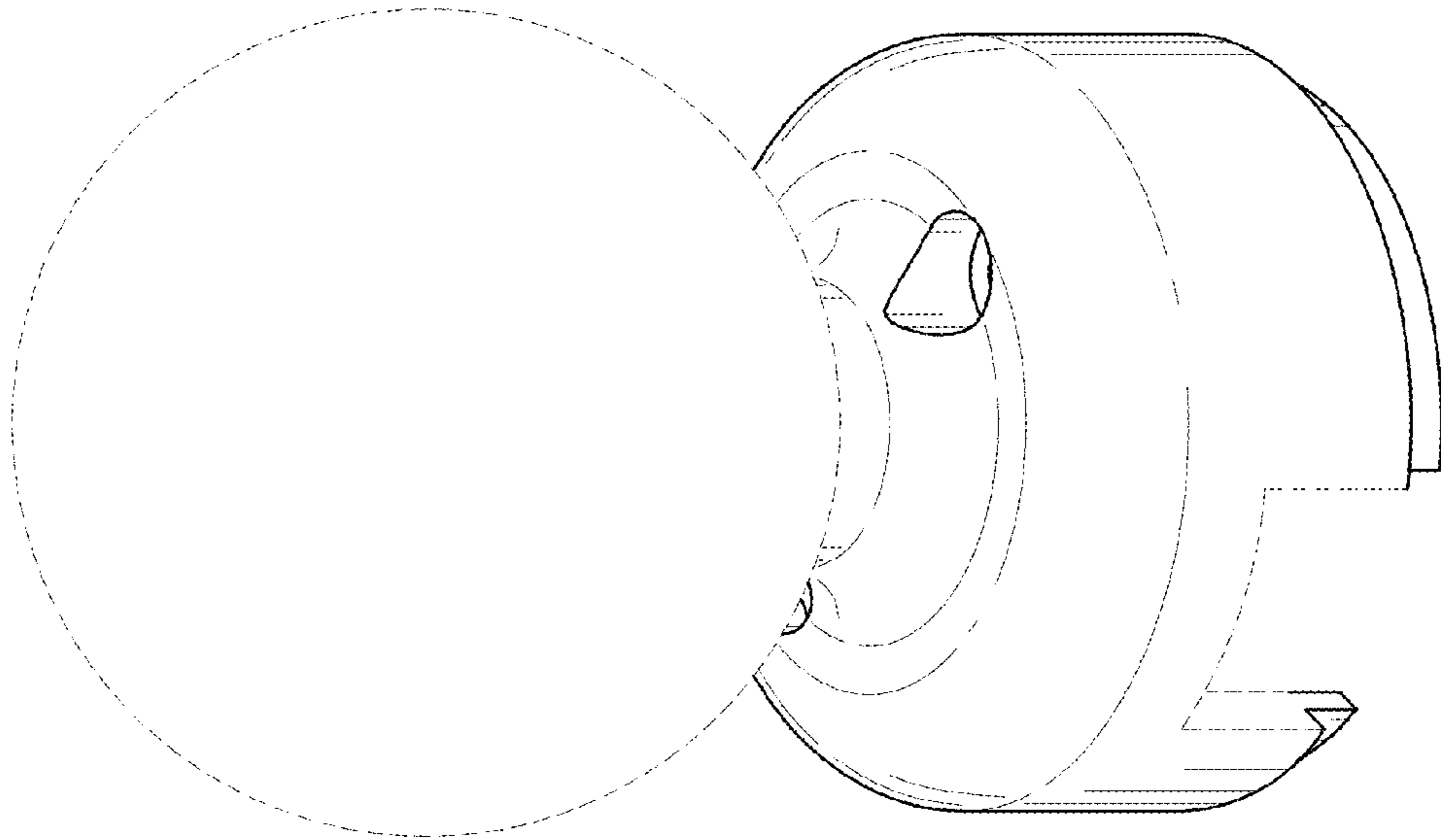


FIG. 9

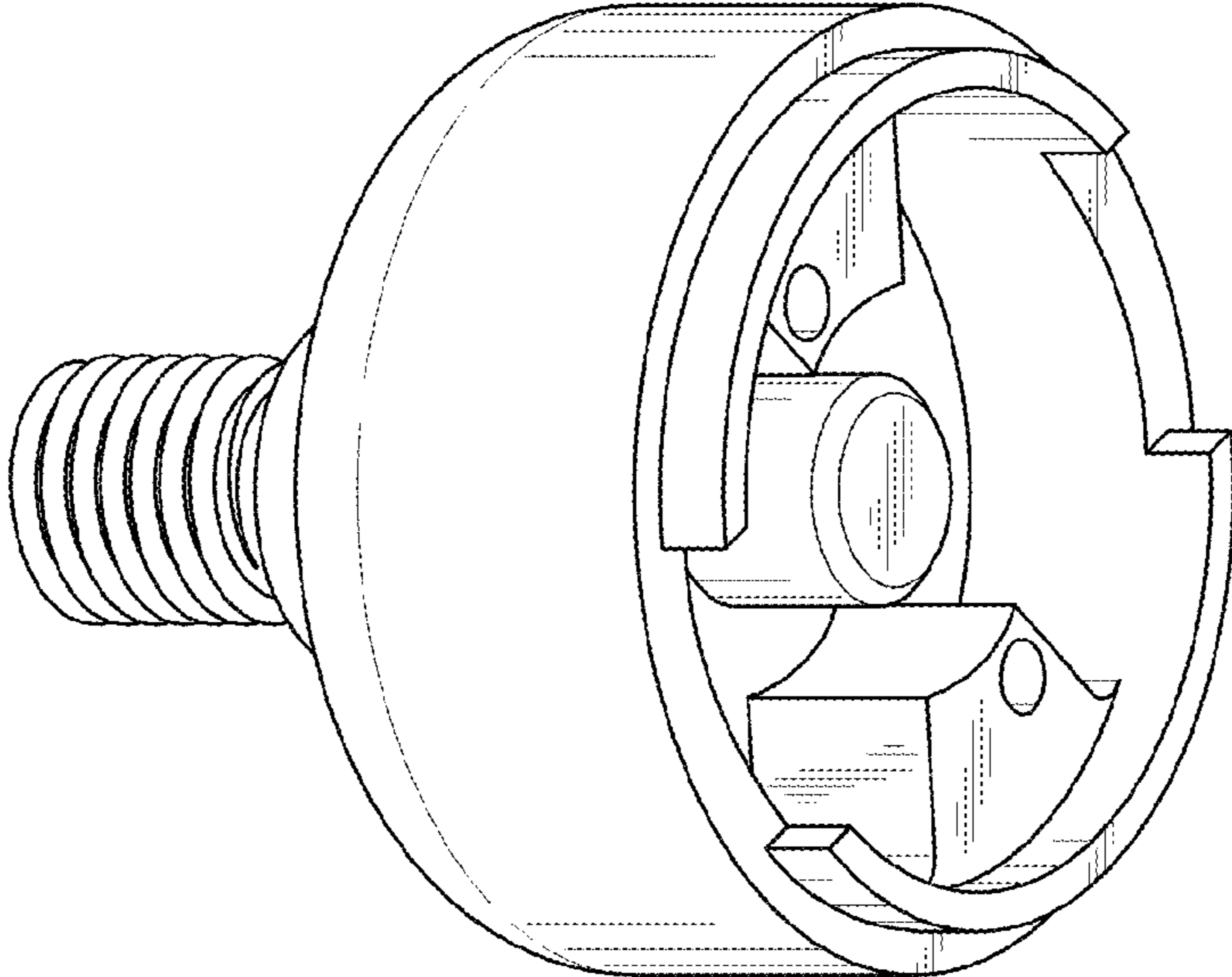


FIG. 11

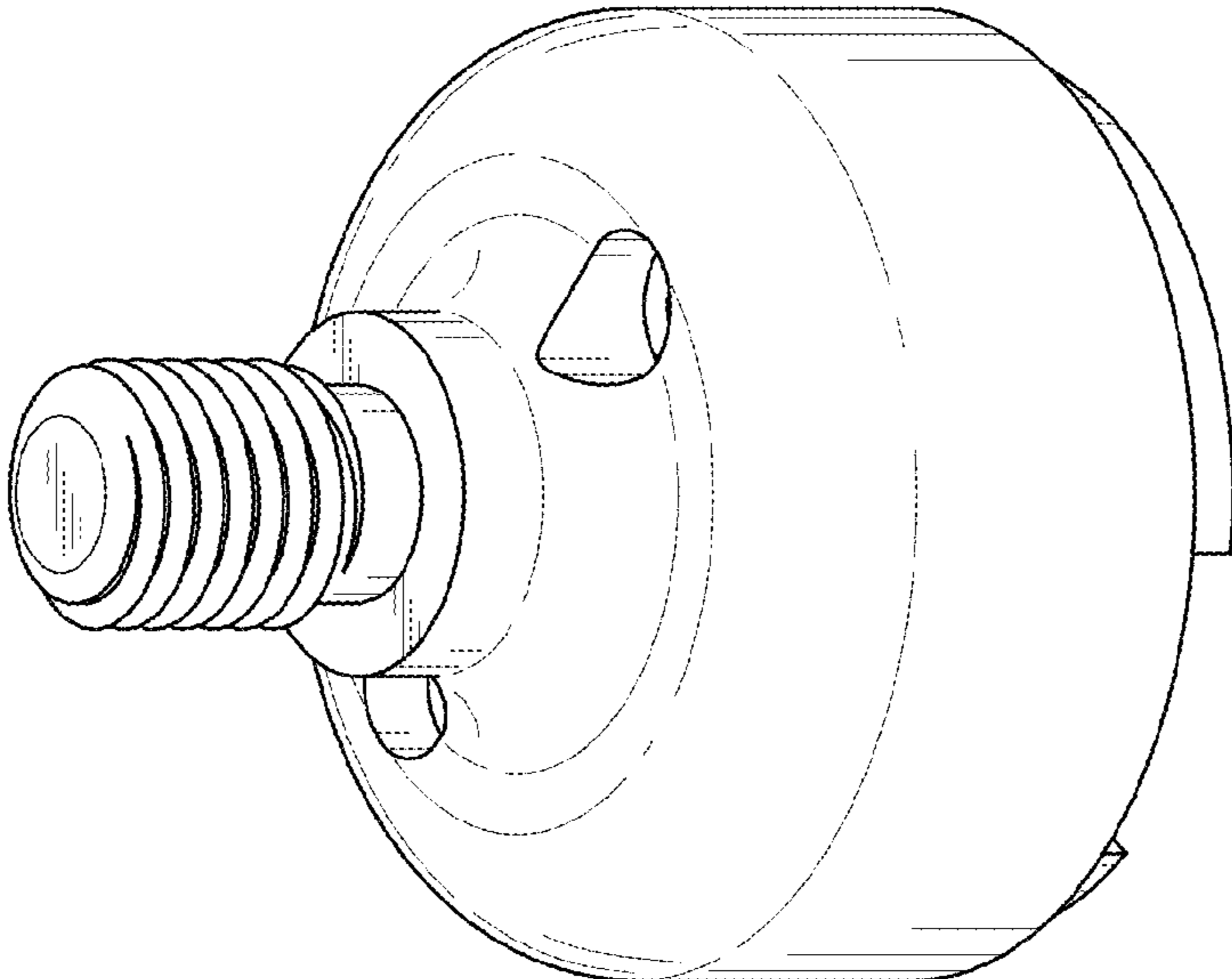


FIG. 10

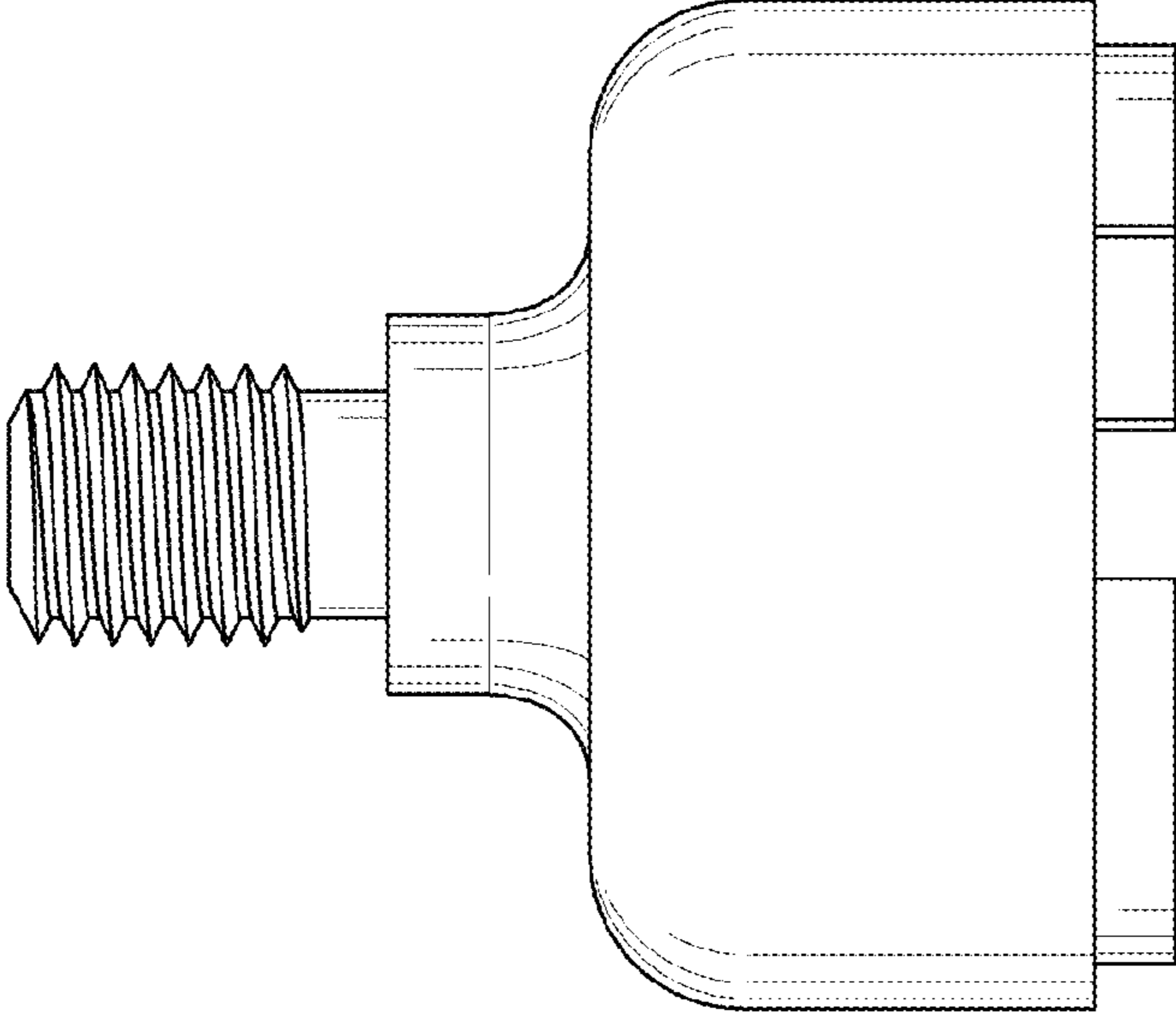


FIG. 13

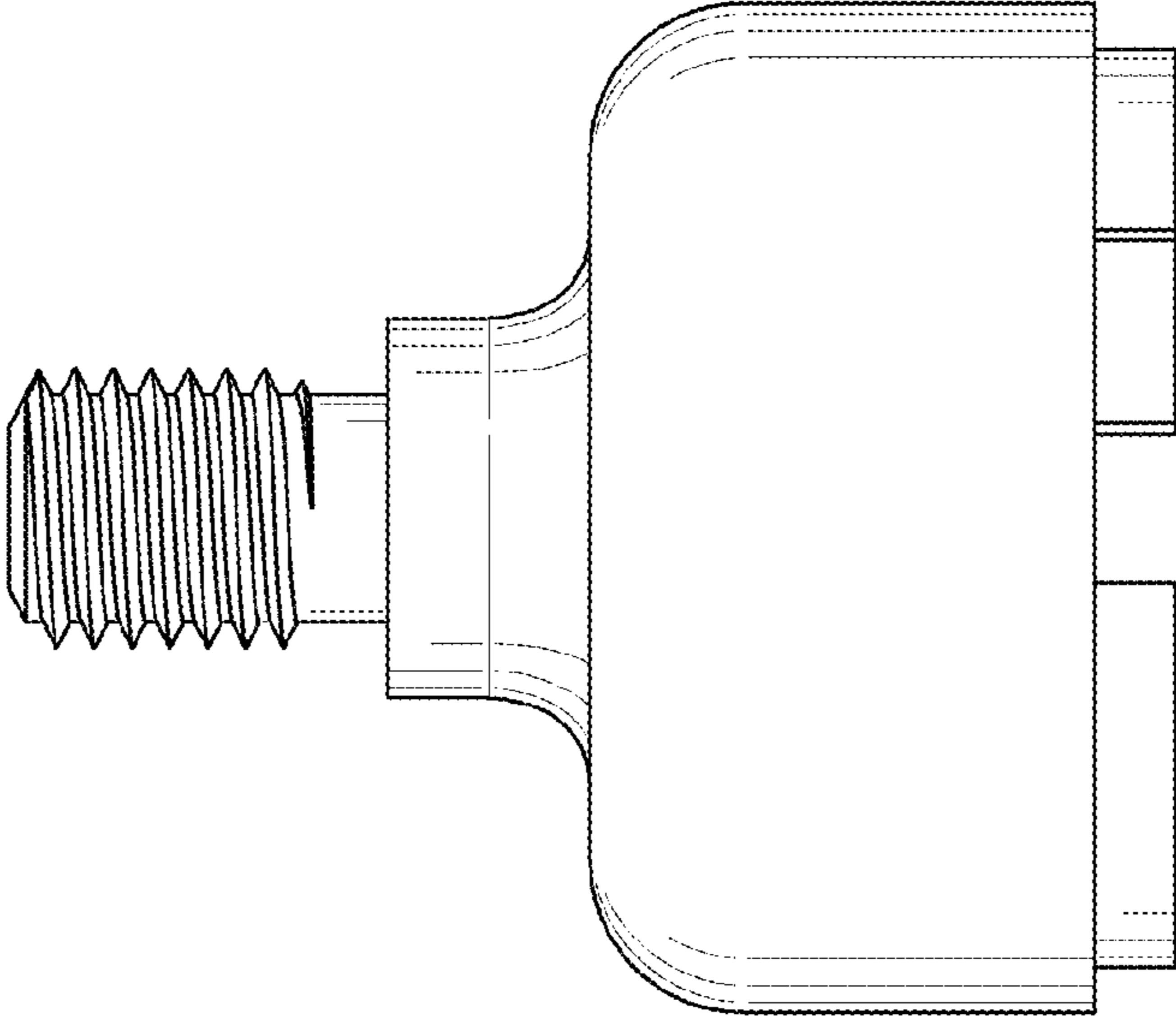


FIG. 12



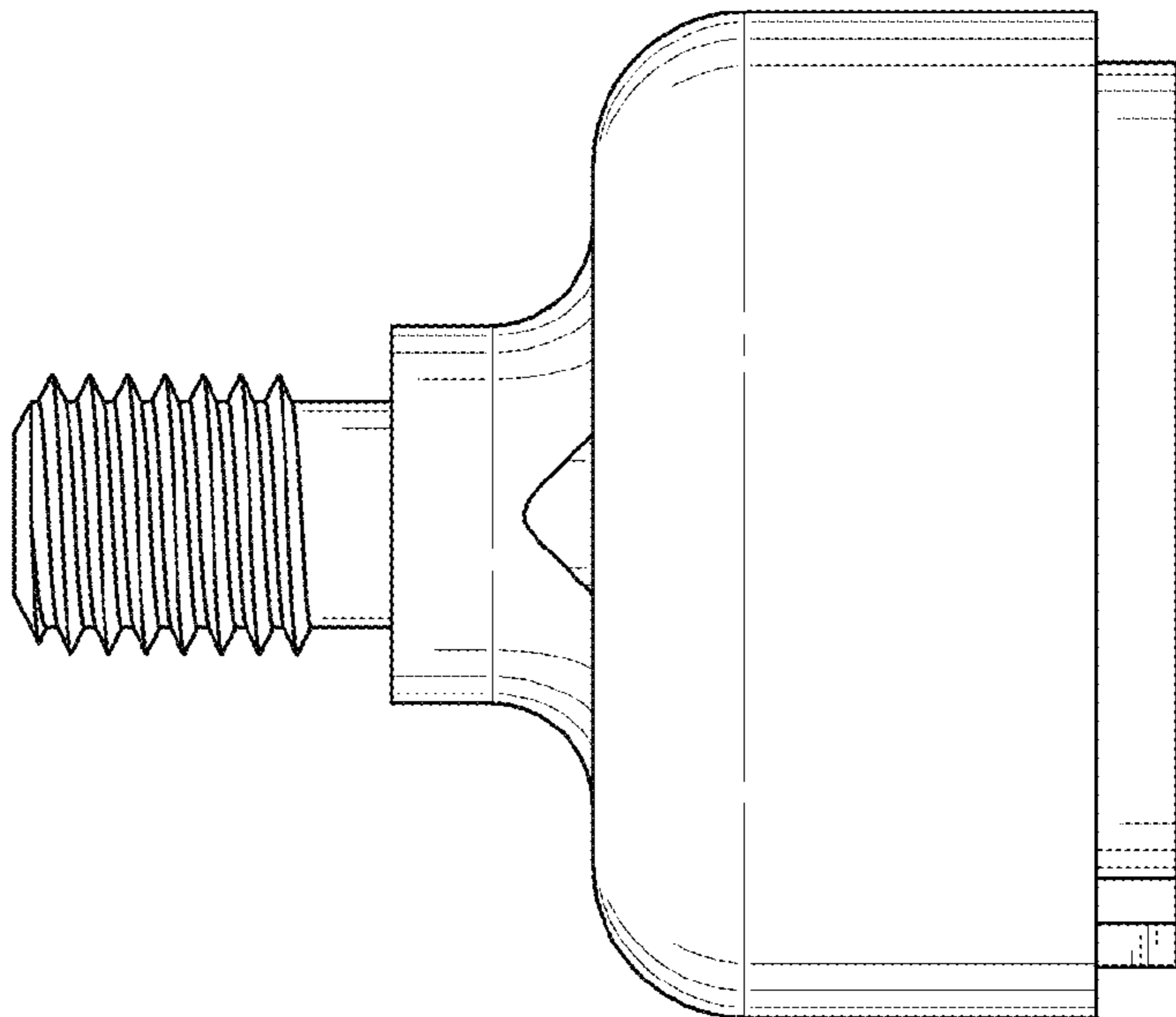


FIG. 15

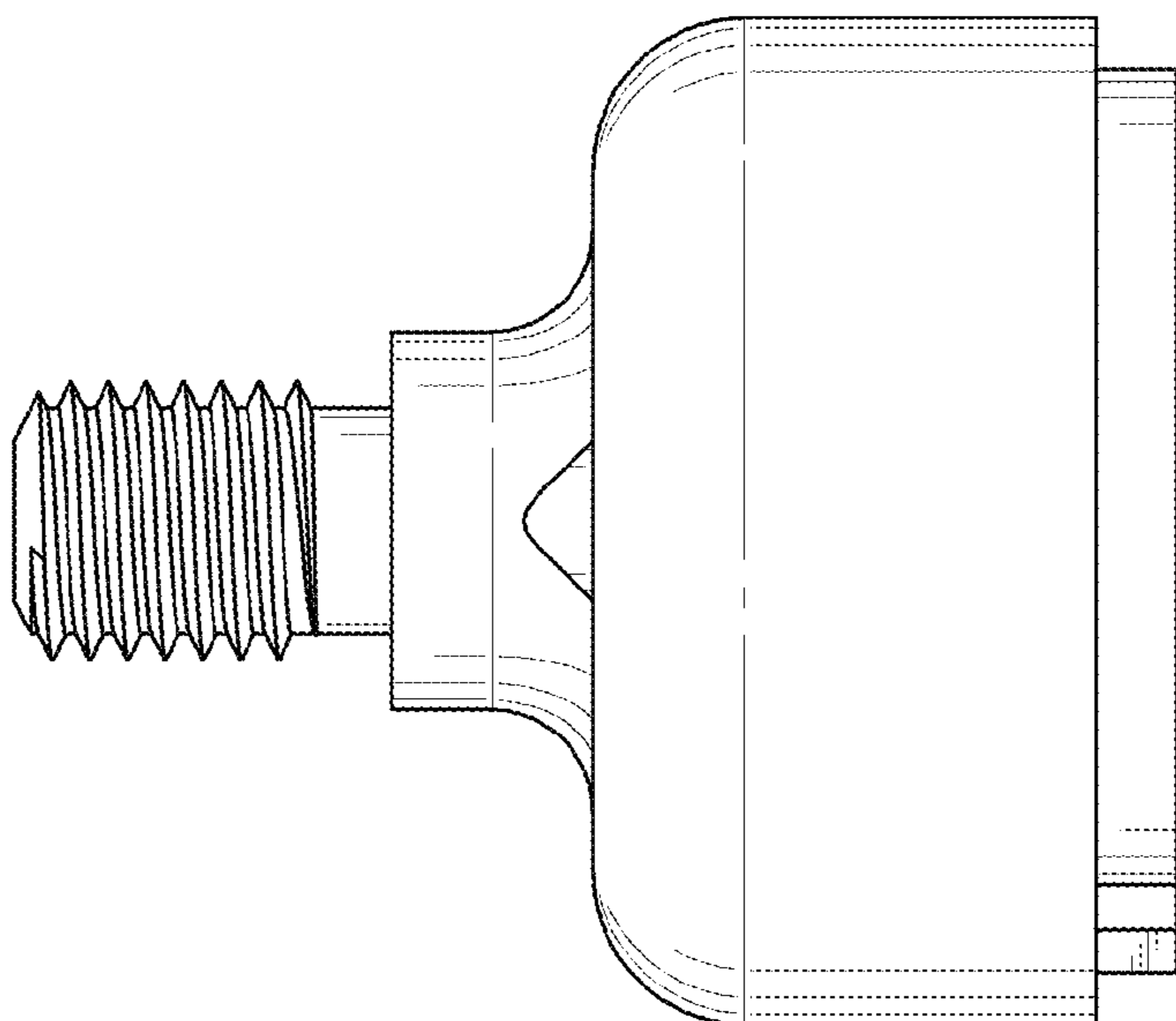


FIG. 14

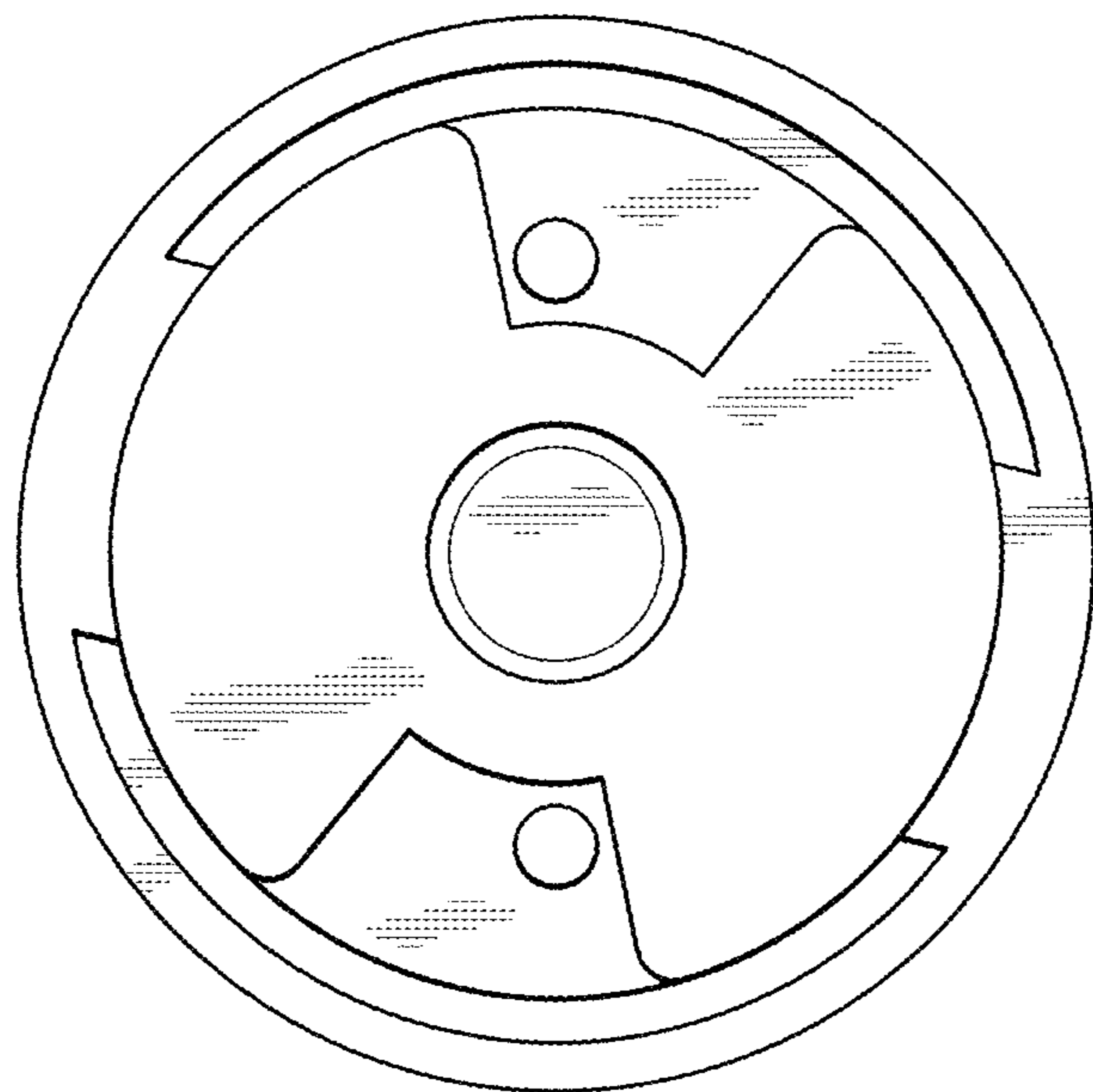


FIG. 17

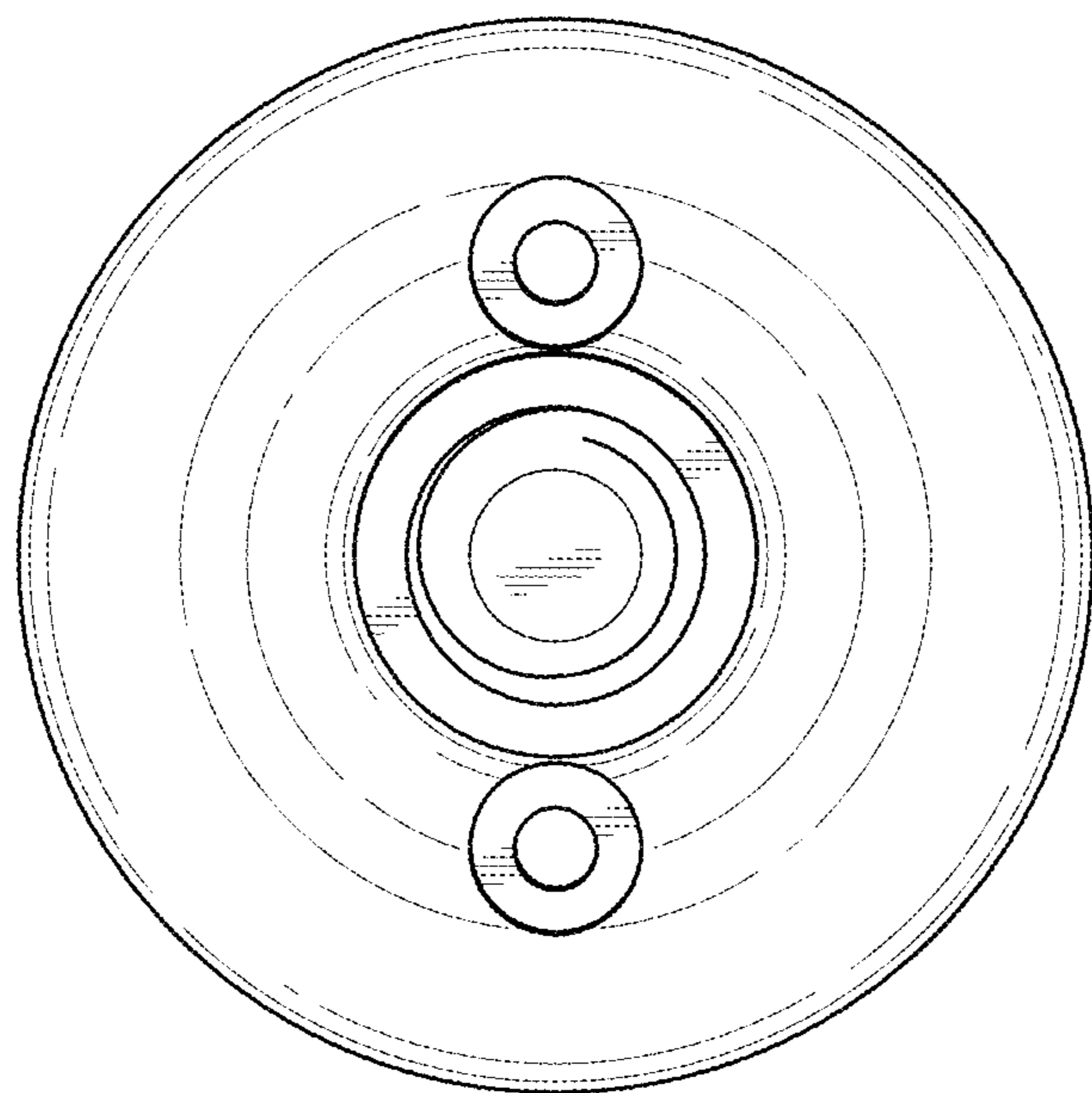


FIG. 16

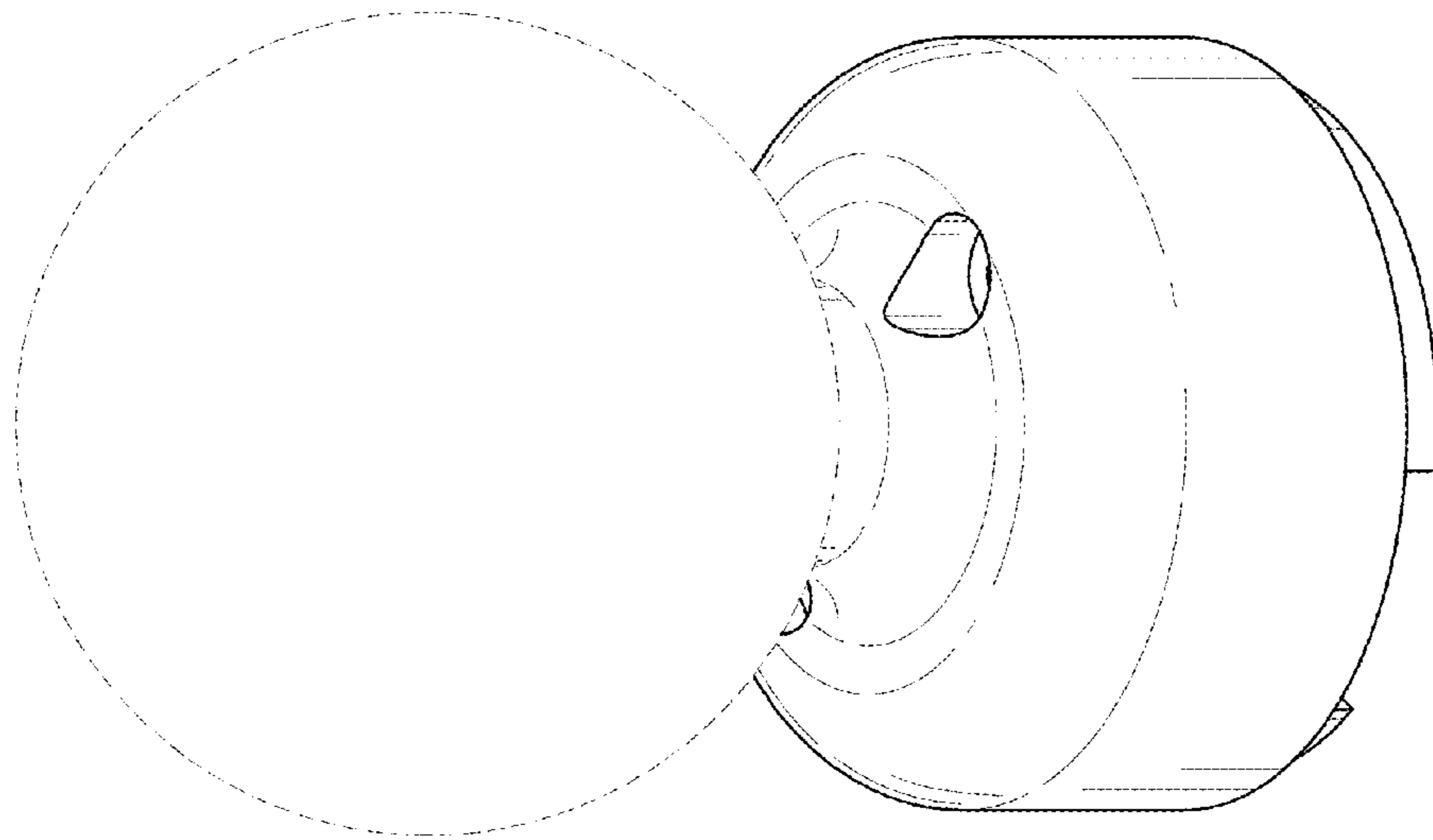


FIG. 18