



US00D688601S

(12) **United States Design Patent**
Cheng

(10) **Patent No.:** **US D688,601 S**

(45) **Date of Patent:** **** Aug. 27, 2013**

(54) **ELECTRIC SOCKET FOR MOTORCYCLES**

(75) Inventor: **Hsu-Cheng Cheng**, New Taipei (TW)

(73) Assignee: **Tang Yang Dies Co., Ltd.**, New Taipei (TW)

(**) Term: **14 Years**

(21) Appl. No.: **29/426,432**

(22) Filed: **Jul. 5, 2012**

(30) **Foreign Application Priority Data**

Jan. 5, 2012 (TW) 101300050

(51) **LOC (9) Cl.** **12-11**

(52) **U.S. Cl.**
USPC **D12/114; D13/133**

(58) **Field of Classification Search**
USPC D12/114, 400; D13/133, 184, 152-156,
D13/146, 147, 139.1-139.4, 137.1-137.4,
D13/199; D14/140, 140.2, 140.5, 149;
439/180, 246, 278, 374, 381, 527, 529, 533,
439/894, 314-322, 680, 752; 280/288.4;
180/165, 313

See application file for complete search history.

(56) **References Cited**

U.S. PATENT DOCUMENTS

7,033,209	B2 *	4/2006	Swiatek et al.	439/502
D601,090	S *	9/2009	Vigorito et al.	D13/133
D605,596	S *	12/2009	Sakamoto	D13/133
D667,379	S *	9/2012	Fukushima et al.	D13/146

* cited by examiner

Primary Examiner — Susan M Lee

Assistant Examiner — Linda Brooks

(74) *Attorney, Agent, or Firm* — Guice Patents PLLC

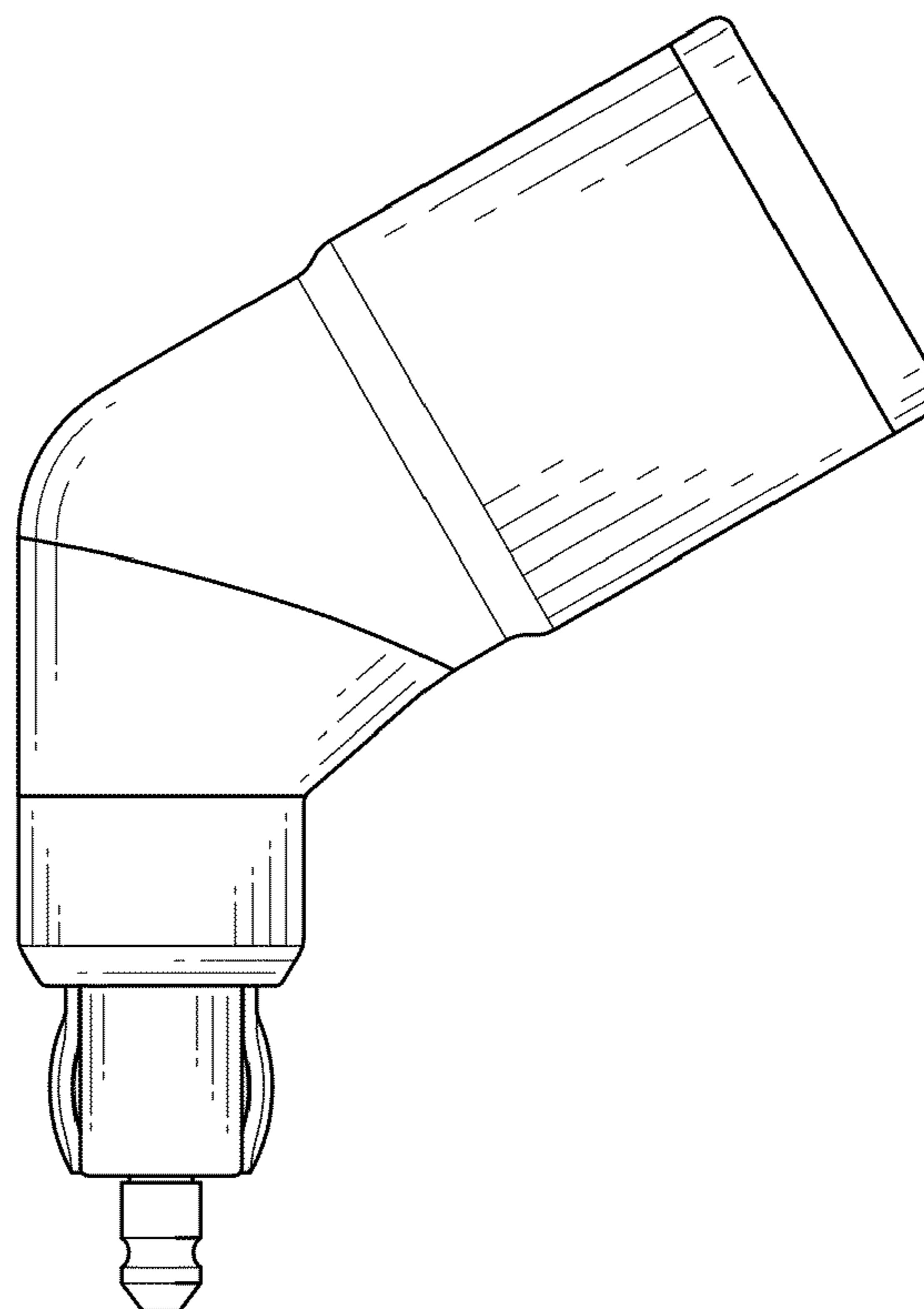
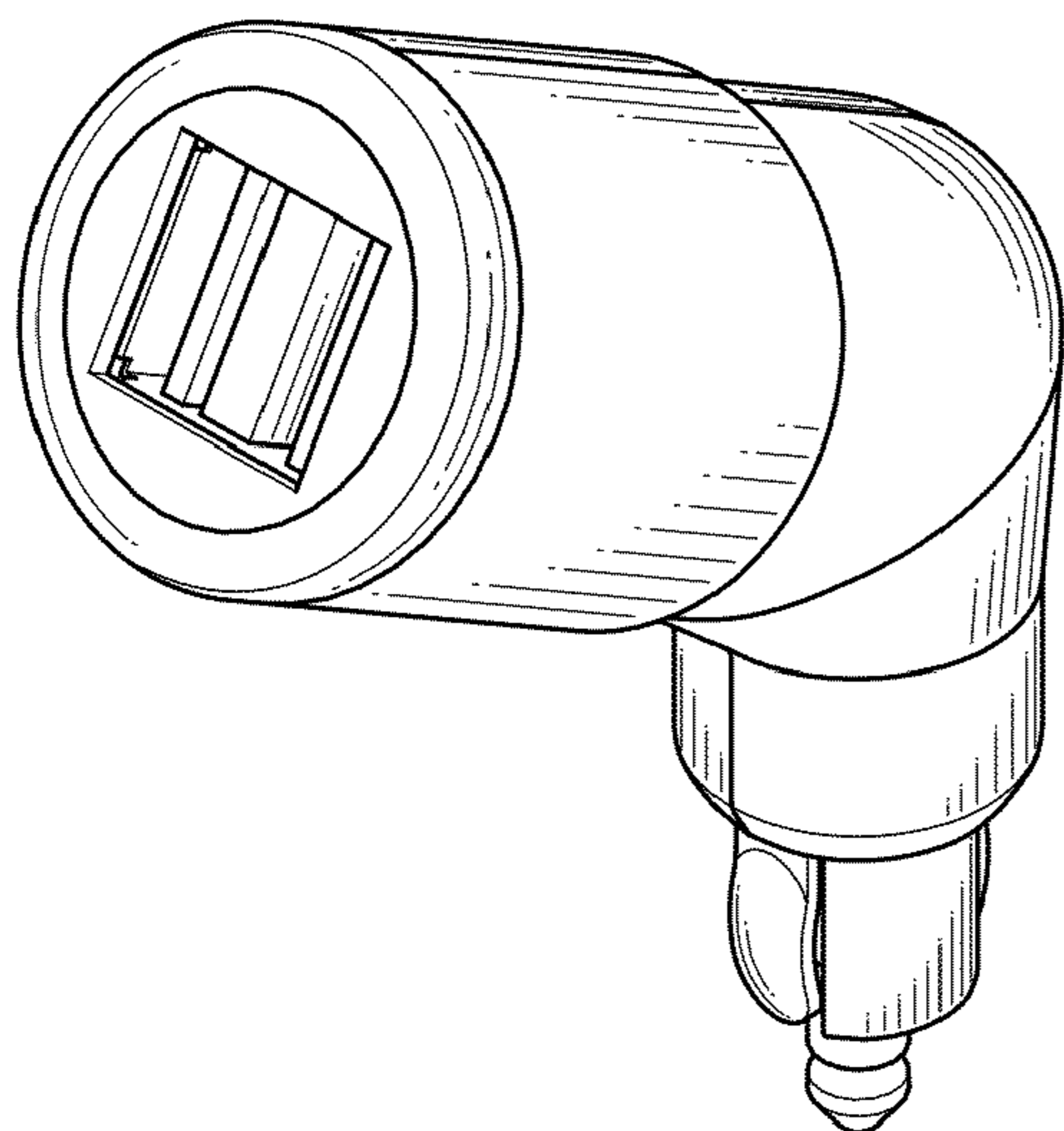
(57) **CLAIM**

The ornamental design for an electric socket for motorcycles, as shown and described.

DESCRIPTION

FIG. 1 is a perspective view of an electric socket for motorcycles showing the design;
FIG. 2 is a front side view thereof;
FIG. 3 is a rear side view thereof;
FIG. 4 is a top plan view thereof;
FIG. 5 is a bottom plan view thereof;
FIG. 6 is a left side view thereof; and,
FIG. 7 is a right side view thereof.

1 Claim, 5 Drawing Sheets



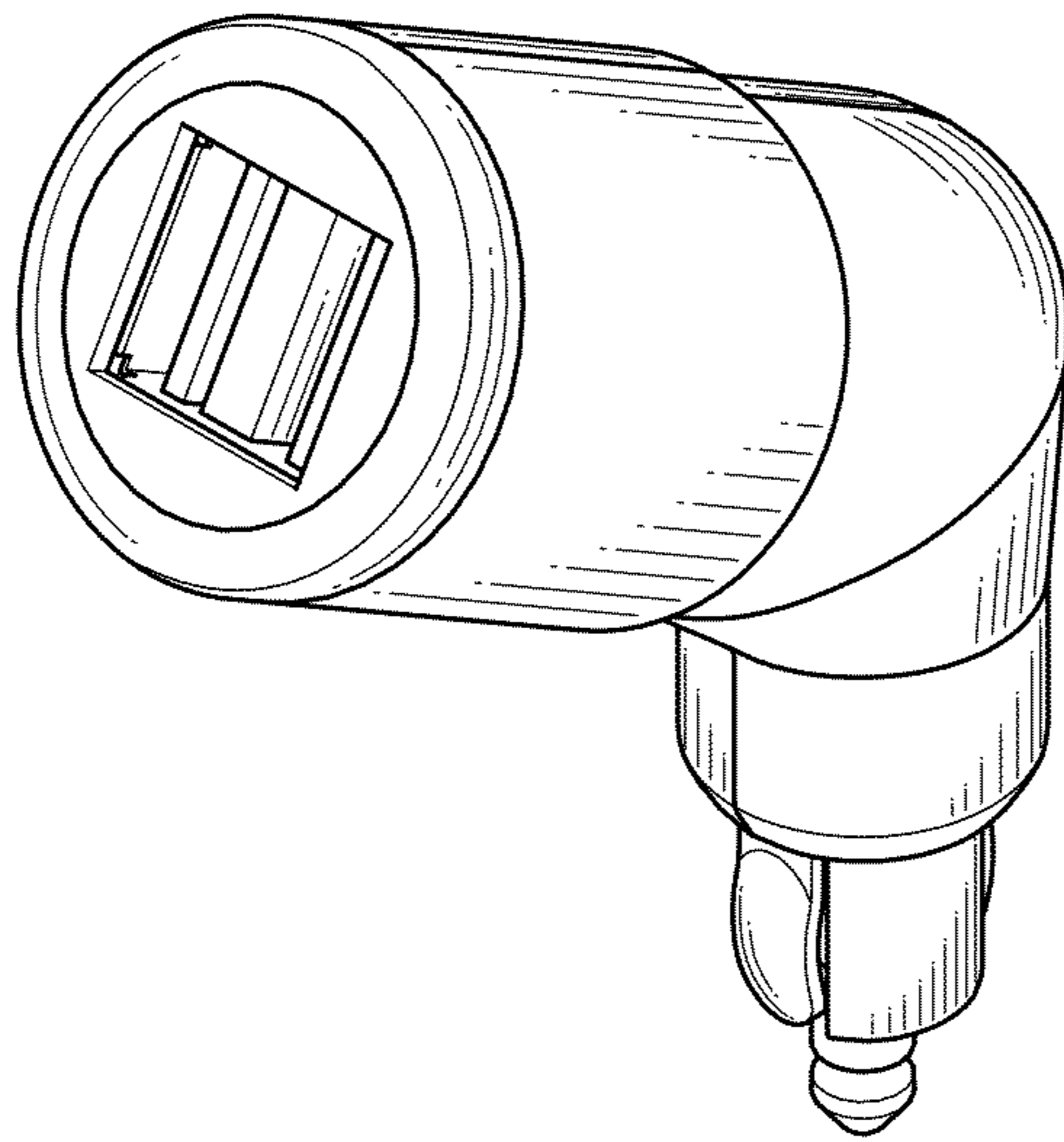


FIG. 1

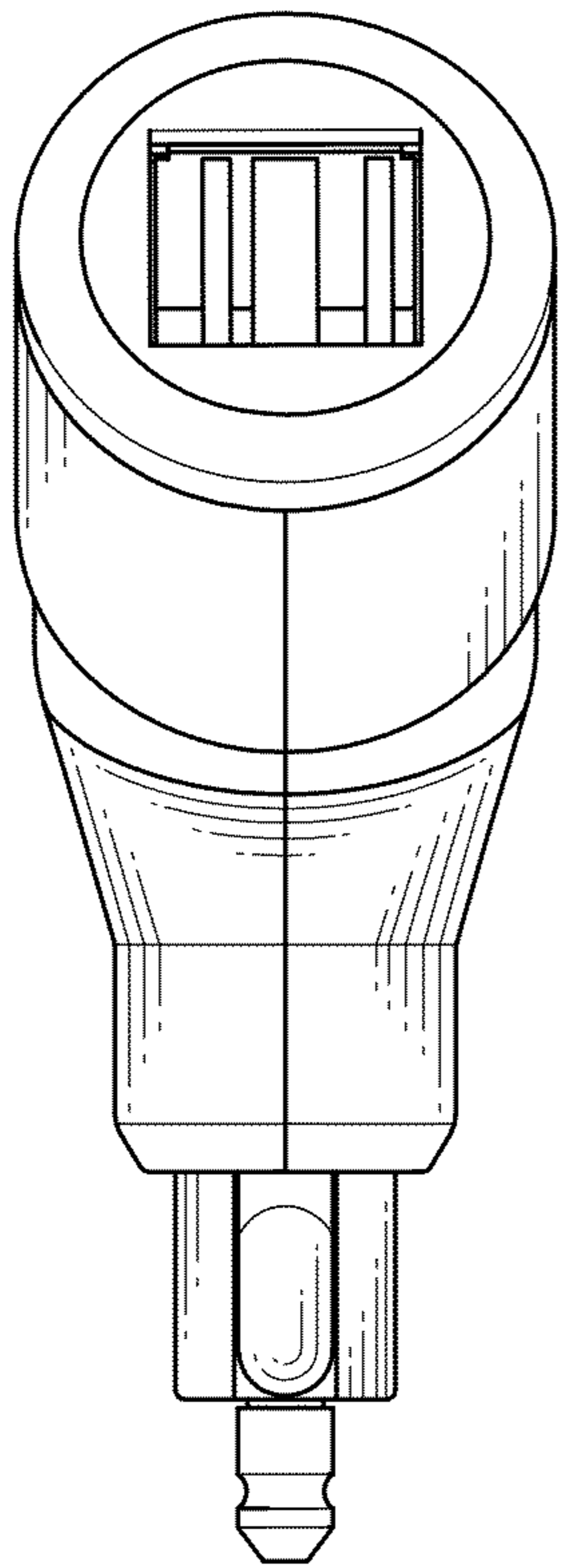


FIG. 2

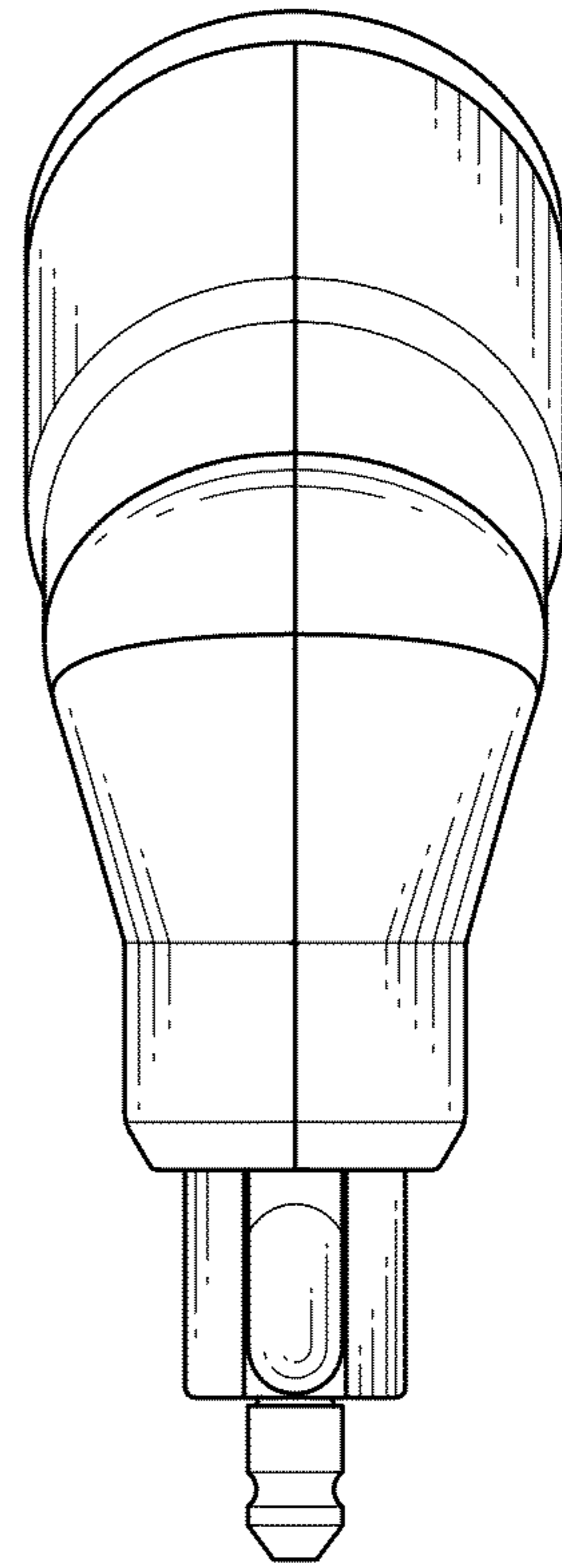


FIG. 3

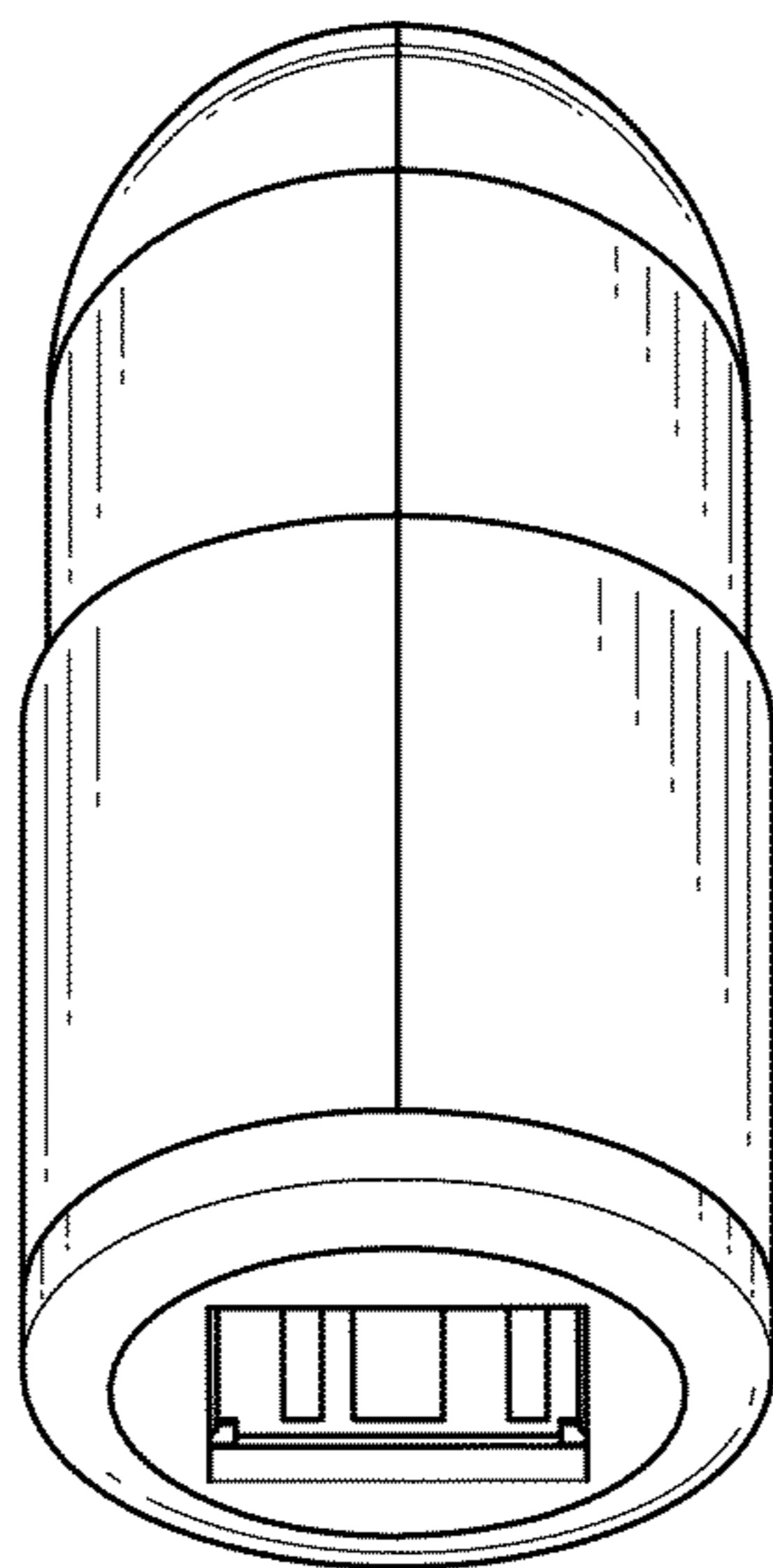


FIG. 4

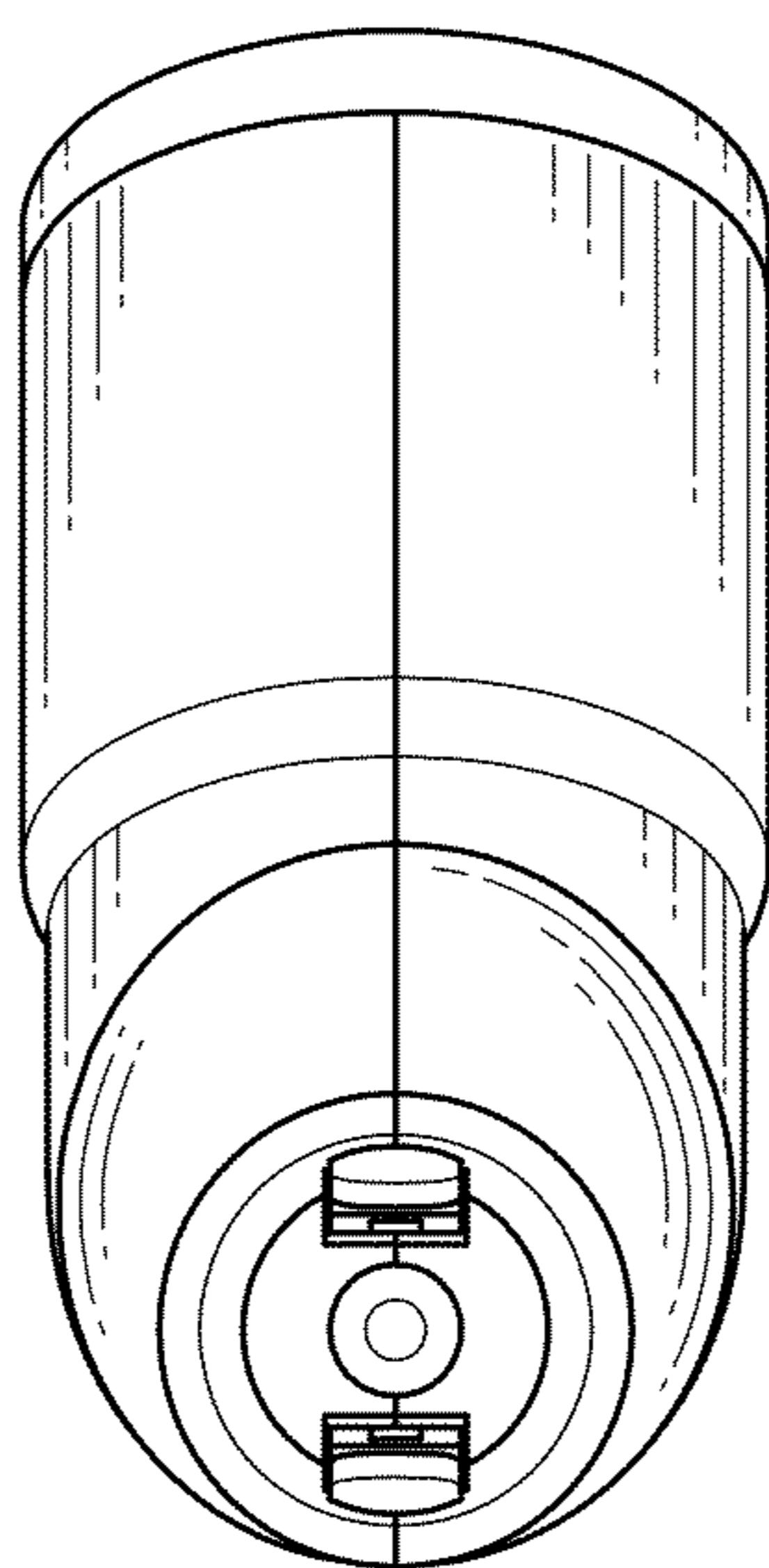


FIG. 5

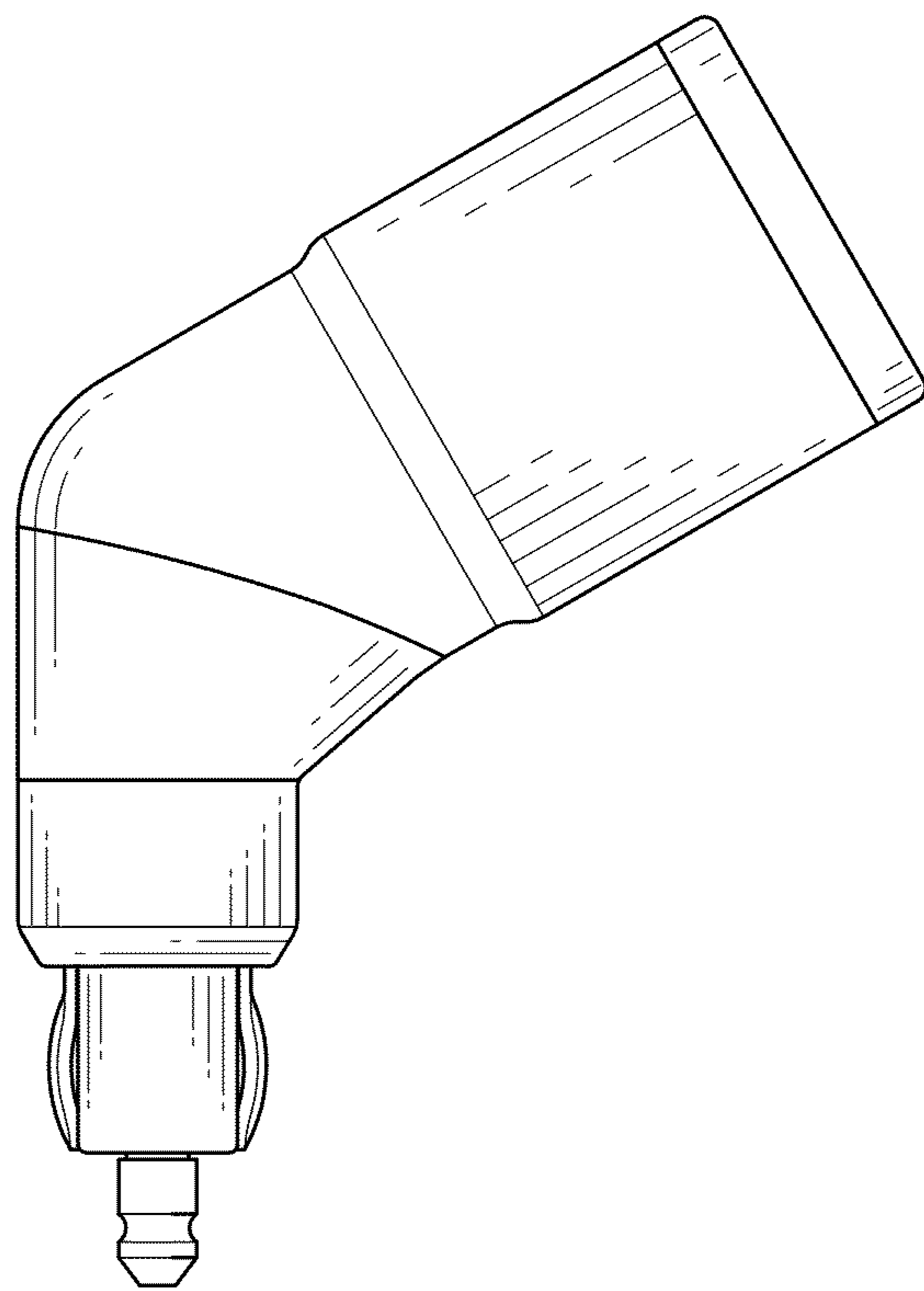


FIG. 6

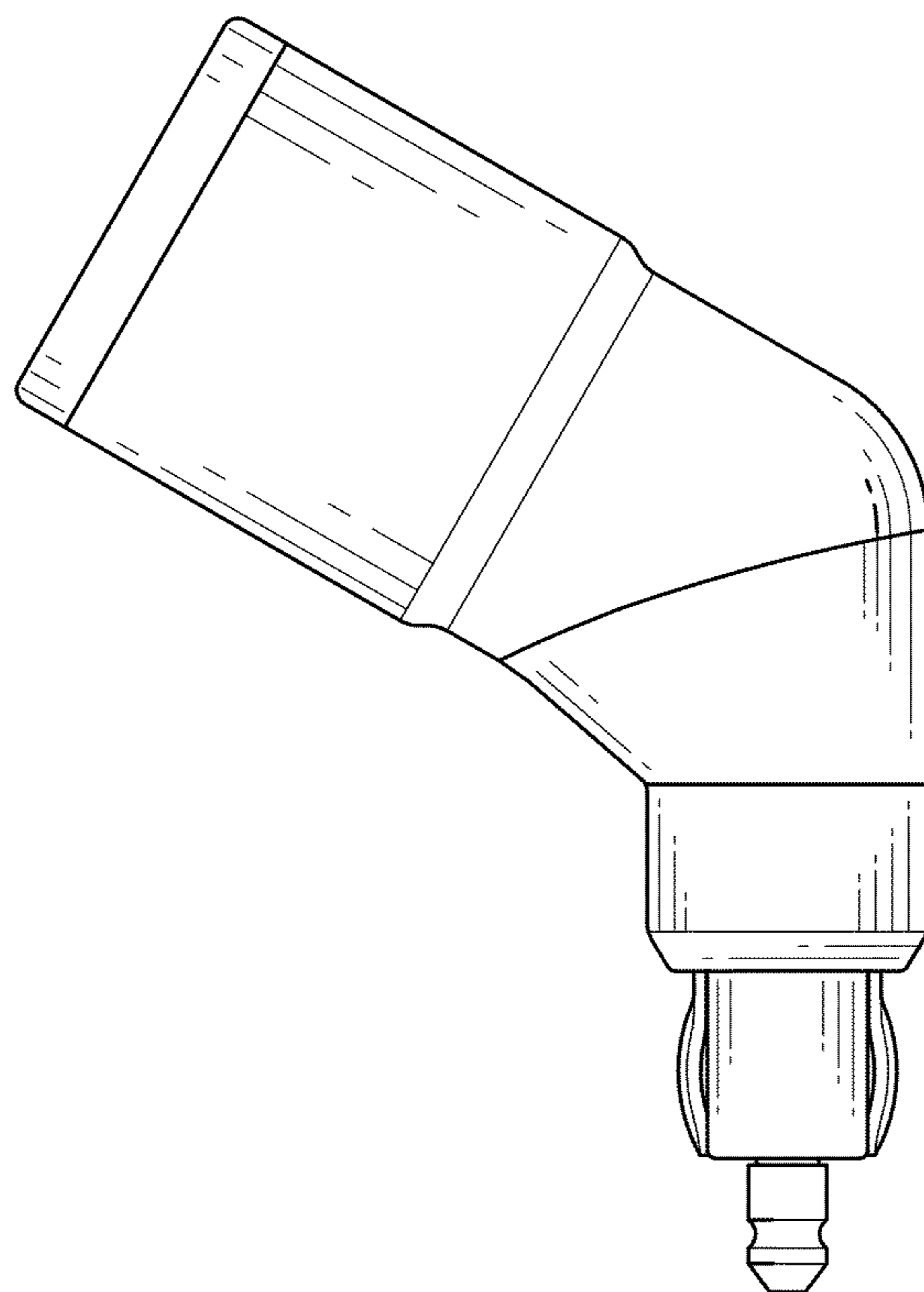


FIG. 7