



US00D688597S

(12) **United States Design Patent**
Oren

(10) **Patent No.:** **US D688,597 S**

(45) **Date of Patent:** **** Aug. 27, 2013**

(54) **TRAILER FOR PROPPANT CONTAINERS**

(71) Applicant: **Joshua Oren**, Houston, TX (US)

(72) Inventor: **Joshua Oren**, Houston, TX (US)

(**) Term: **14 Years**

(21) Appl. No.: **29/451,676**

(22) Filed: **Apr. 5, 2013**

(51) **LOC (9) Cl.** **12-10**

(52) **U.S. Cl.**
USPC **D12/101**

(58) **Field of Classification Search**
USPC D12/101-106, 19, 129, 111, 112;
D21/425, 435; D34/21-26, 12, 16-19;
280/204, 205, 63, 475, 482, 647; 296/168,
296/180, 180.2, 61, 10, 100.01-100.08

See application file for complete search history.

(56) **References Cited**

U.S. PATENT DOCUMENTS

D418,451 S *	1/2000	Konecheck	D12/101
D459,287 S *	6/2002	Beard et al.	D12/406
D513,717 S *	1/2006	Wittkowski	D12/101
D522,409 S *	6/2006	Wittkowski	D12/101
D574,755 S *	8/2008	Thurm	D12/101

7,452,000 B2 *	11/2008	Winter et al.	280/656
7,475,901 B2 *	1/2009	Winter et al.	280/656
7,651,117 B1 *	1/2010	McGee	280/656
D660,748 S *	5/2012	Cooley	D12/101
2003/0062707 A1 *	4/2003	Koch	280/401
2005/0093273 A1 *	5/2005	McDonell	280/656

* cited by examiner

Primary Examiner — Katrina A Betton

(74) *Attorney, Agent, or Firm* — Egbert Law Offices, PLLC

(57) **CLAIM**

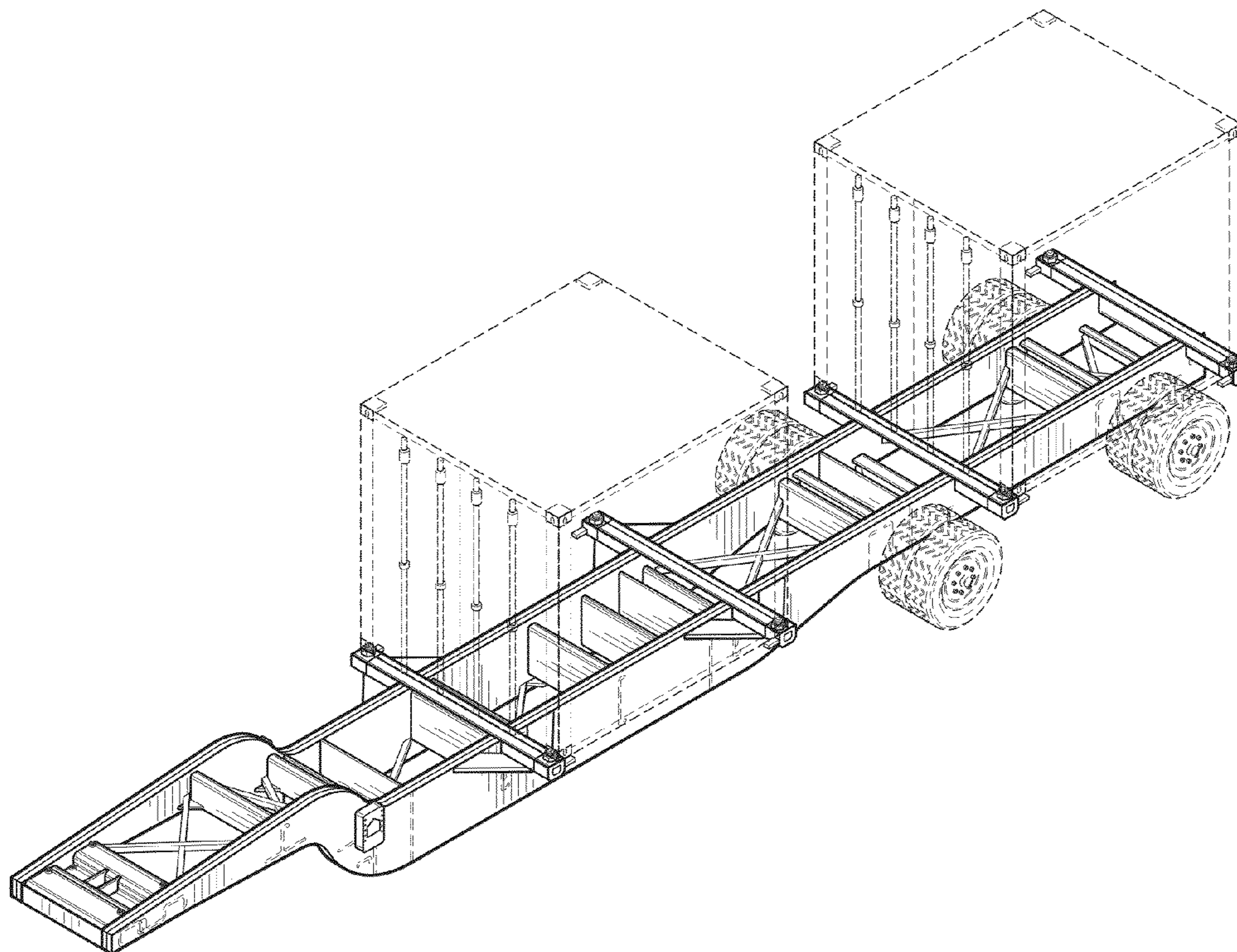
The ornamental design for a trailer for proppant containers, as shown and described.

DESCRIPTION

FIG. 1 is an upper perspective view of the trailer for proppant containers showing my new design.
FIG. 2 is a side elevation view thereof;
FIG. 3 is an opposite side elevation view thereof;
FIG. 4 is a front elevation view thereof;
FIG. 5 is a rear elevation view thereof;
FIG. 6 is a top plan view thereof; and,
FIG. 7 is a bottom plan view thereof.

The features presented in broken lines are for environmental purposes only and form no part of the claimed design.

1 Claim, 3 Drawing Sheets



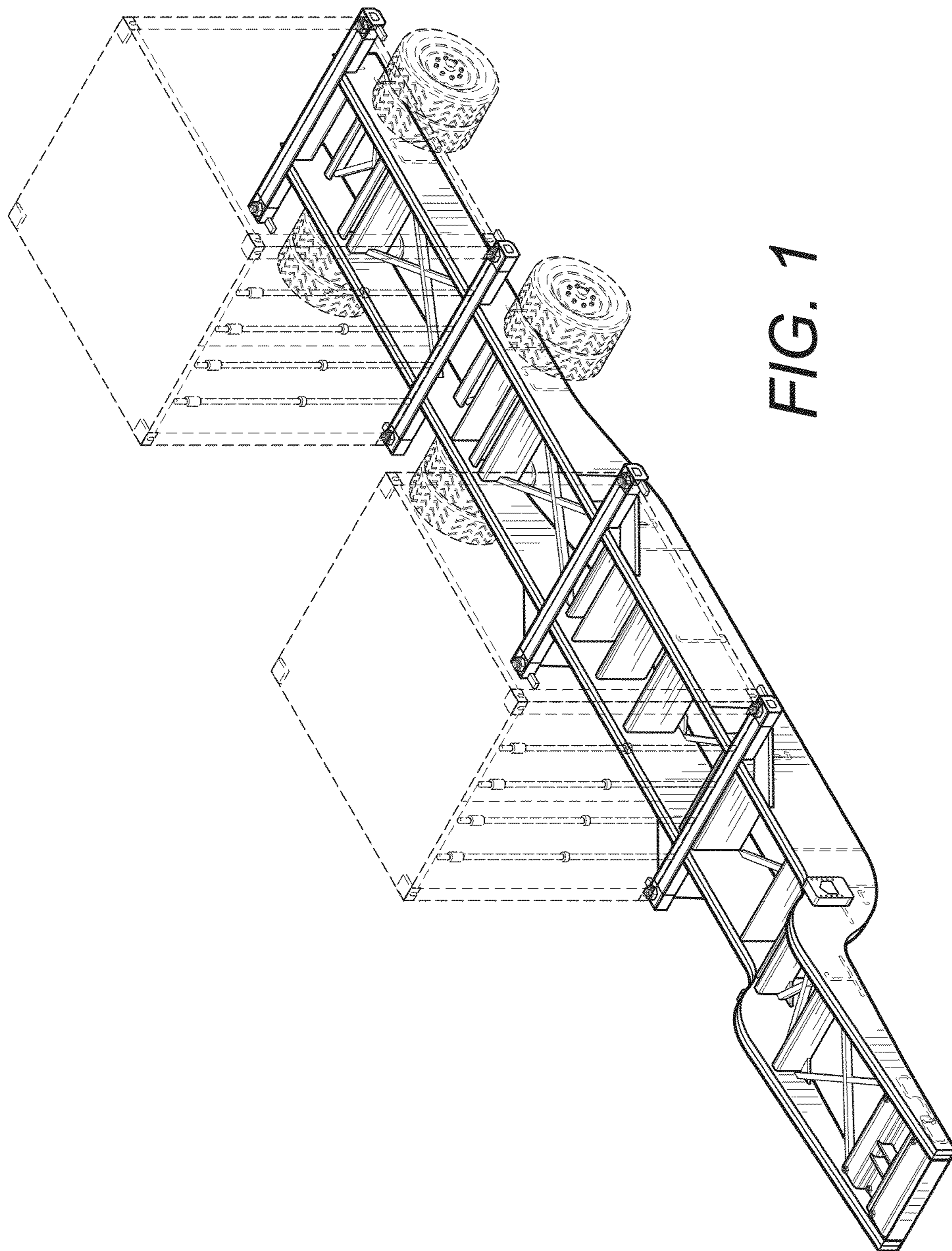


FIG. 1

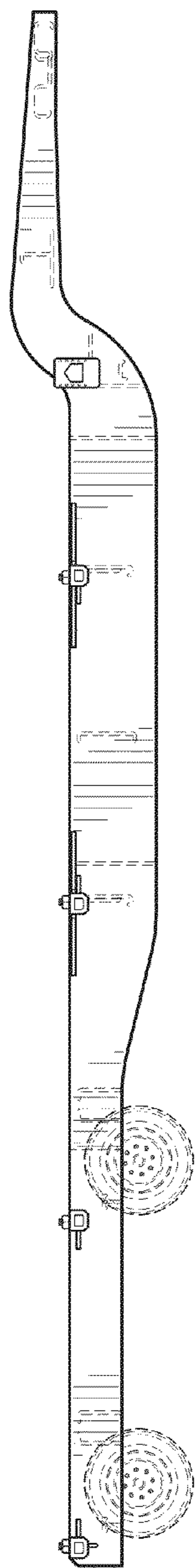


FIG. 2

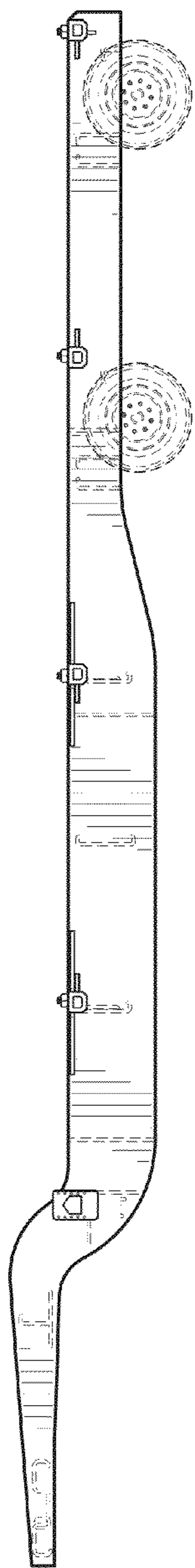


FIG. 3

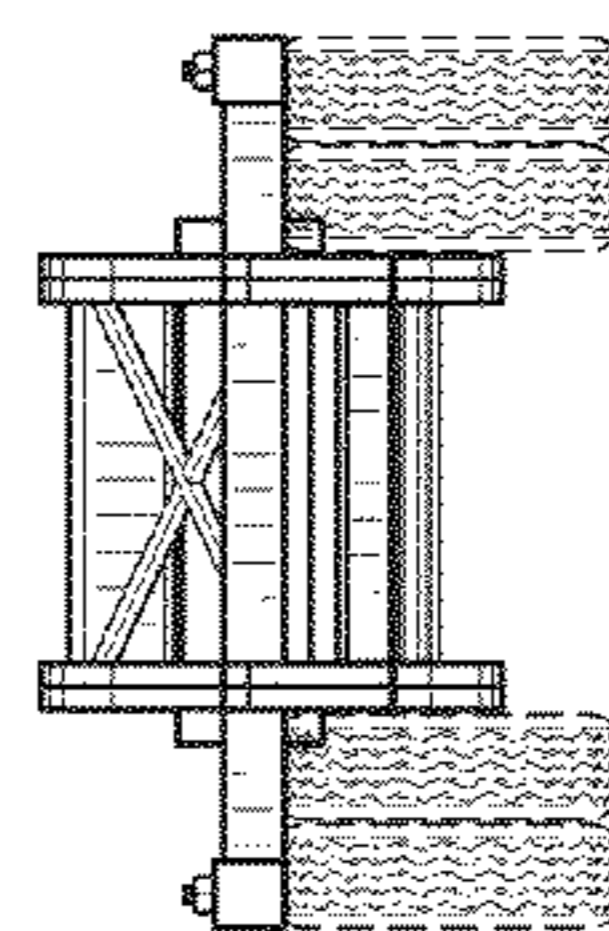


FIG. 5

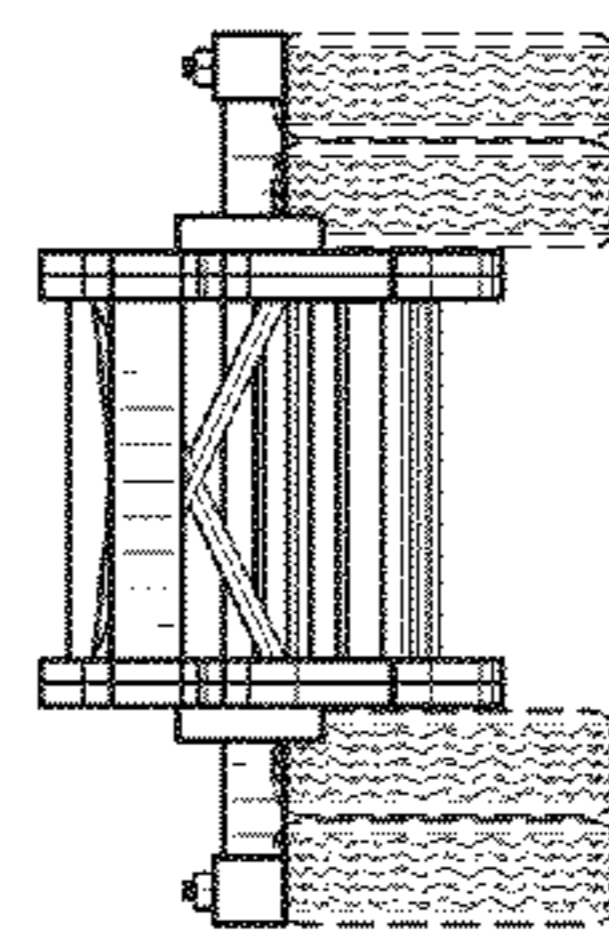


FIG. 4

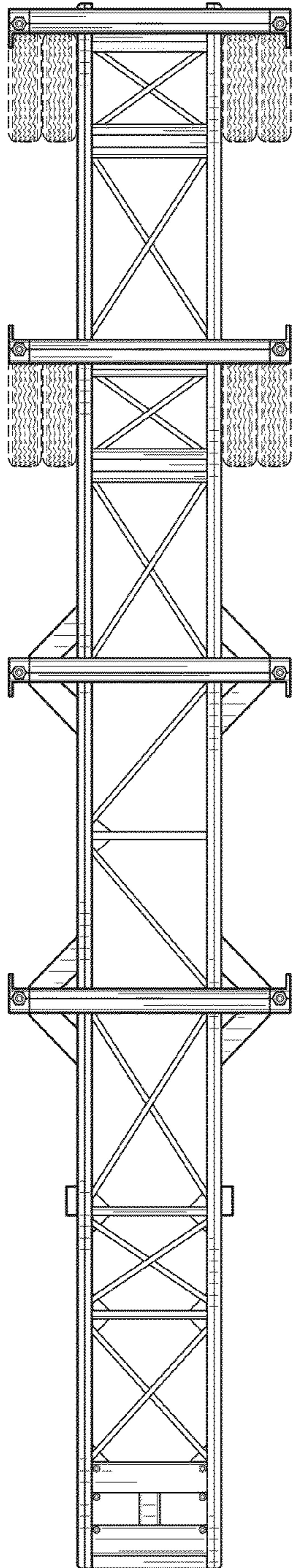


FIG. 6

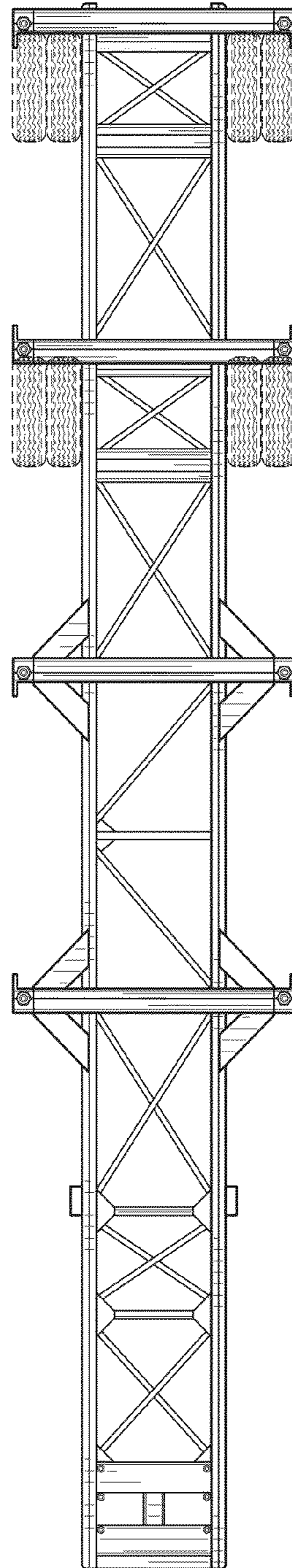


FIG. 7