



US00D688595S

(12) **United States Design Patent**
Dunn

(10) **Patent No.:** **US D688,595 S**

(45) **Date of Patent:** **** *Aug. 27, 2013**

(54) **OVAL DISPLAY HOLDER FOR A CORD**

2,616,196 A * 11/1952 Sandahl, Jr. et al. 40/606.03
2,786,983 A 3/1957 Hill
3,203,700 A 8/1965 Antonious

(76) Inventor: **Scott Eben Dunn**, Atlanta, GA (US)

(Continued)

(*) Notice: This patent is subject to a terminal disclaimer.

FOREIGN PATENT DOCUMENTS

(**) Term: **14 Years**

WO WO-2010132567 A1 11/2010

(21) Appl. No.: **29/411,309**

OTHER PUBLICATIONS

(22) Filed: **Jan. 19, 2012**

U.S. Appl. No. 29/394,588, filed Jun. 18, 2011, Scott E. Dunn.
U.S. Appl. No. 29/394,589, filed Jun. 18, 2011, Scott E. Dunn.

(51) **LOC (9) Cl.** **11-02**

(Continued)

(52) **U.S. Cl.**

Primary Examiner — T. Chase Nelson

USPC **D11/184**

Assistant Examiner — Michelle E Wilson

(58) **Field of Classification Search**

(74) *Attorney, Agent, or Firm* — Ballard Spahr LLP

USPC D11/184; D8/105, 107, 333, 349,
D8/354, 356, 358, 367, 373, 382, 383, 394-396;
D23/261; D26/38; 24/197, 561; 174/153 G;
242/400.1, 405.1, 405.2, 600, 916; 248/65,
248/74.1-74.4, 214, 215, 229.26, 201, 302,
248/204, 316.7, 316.8; 439/501; D34/38;
108/57.52; D24/128

(57) **CLAIM**

The ornamental design for an oval display holder for a cord,
as shown and described.

See application file for complete search history.

DESCRIPTION

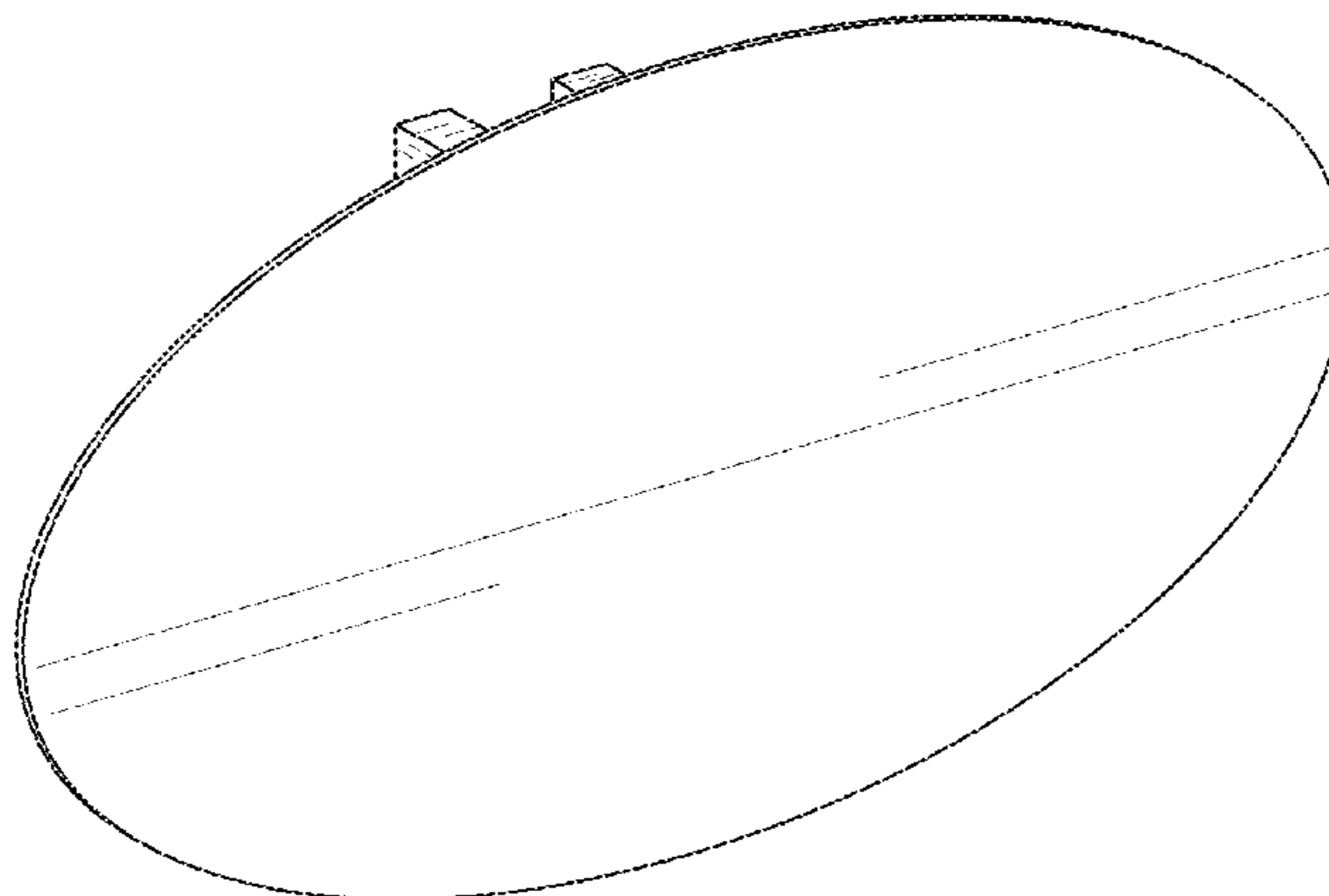
(56) **References Cited**

U.S. PATENT DOCUMENTS

168,063 A 9/1875 Taylor
807,747 A * 12/1905 Kling 174/72 R
1,195,276 A 8/1916 Seaman
1,337,722 A 4/1920 Porter
1,388,219 A 8/1921 Thompson
D67,289 S 5/1925 Ladewich
1,593,078 A 7/1926 Jacobs
1,832,318 A 11/1931 Myers
2,083,431 A 6/1937 Cole
D133,983 S 10/1942 Anderson
D137,768 S 4/1944 Shirley
2,355,154 A 8/1944 Goudreau
D156,622 S 12/1949 Harmon
2,601,088 A 6/1952 Burgess
D167,185 S 7/1952 Wendt
2,611,615 A 9/1952 Watson

FIG. 1 is a front perspective view of an oval display holder for a cord of the present invention;
FIG. 2 is a front elevational view of the oval display holder for a cord of FIG. 1;
FIG. 3 is a rear elevational view of the oval display holder for a cord of FIG. 1;
FIG. 4 is a left side elevational view of the oval display holder for a cord of FIG. 1;
FIG. 5 is a right side elevational view of the oval display holder for a cord of FIG. 1;
FIG. 6 is a top elevational view of the oval display holder for a cord of FIG. 1;
FIG. 7 is a bottom elevational view of the oval display holder for a cord of FIG. 1; and,
FIG. 8 is a rear perspective view of the oval display holder for a cord of FIG. 1.

1 Claim, 6 Drawing Sheets



(56)

References Cited

- U.S. PATENT DOCUMENTS
- 3,228,640 A * 1/1966 Wolsh 248/72
3,322,381 A * 5/1967 Bubb 248/121
3,519,731 A * 7/1970 Grunbaum 174/138 F
3,576,304 A 4/1971 Gillemot et al.
3,696,920 A * 10/1972 Lahay 206/370
3,766,854 A 10/1973 Scarlet
3,772,809 A 11/1973 Schneller
3,788,269 A 1/1974 Scarlet
D235,023 S * 4/1975 Swayze D14/229
4,004,362 A 1/1977 Barbieri
4,011,673 A 3/1977 Levine
4,103,949 A 8/1978 Bouloy
4,131,226 A 12/1978 Breiter et al.
4,177,750 A 12/1979 Scarlet
4,198,202 A 4/1980 Kleber
D256,398 S 8/1980 Mitchell
4,261,121 A 4/1981 Coon
4,294,895 A 10/1981 Atkins
D266,054 S 9/1982 Goodman
4,398,444 A * 8/1983 Walker 84/322
D270,525 S 9/1983 Bayusik
D275,174 S 8/1984 Rolli
4,464,834 A 8/1984 Simms
D280,393 S 9/1985 Lee
D280,394 S 9/1985 Lee
4,539,767 A 9/1985 Jaffe
D285,044 S 8/1986 Mockett
D289,138 S 4/1987 Nead
4,656,767 A 4/1987 Tarrant
D289,732 S 5/1987 Jason
D293,766 S 1/1988 Lamb
4,738,817 A * 4/1988 Wittwer et al. 264/328.14
4,821,988 A * 4/1989 Jimenez 248/227.3
4,856,214 A 8/1989 Machen
D305,254 S 12/1989 Bateman et al.
D308,011 S 5/1990 Norris
D314,529 S 2/1991 Willard
D317,171 S * 5/1991 Saks D17/20
D321,913 S 11/1991 Wolff
D325,400 S 4/1992 Wolff
5,122,068 A * 6/1992 Koss 439/98
5,161,799 A 11/1992 Nandra
5,203,129 A 4/1993 Johnson
5,207,174 A 5/1993 Fabbrini
5,209,992 A 5/1993 Feres
D336,131 S * 6/1993 Nordstrom et al. D24/128
D340,038 S 10/1993 Venne et al.
D356,350 S 3/1995 Berggreen
D358,615 S 5/1995 Cline
D364,201 S 11/1995 Jensen
D365,781 S 1/1996 Osborn
5,479,735 A * 1/1996 Martin, Jr. 40/593
D369,042 S 4/1996 Kinart
D369,758 S 5/1996 Remidio
5,536,096 A 7/1996 Nowak
5,537,042 A 7/1996 Beutler et al.
5,584,122 A * 12/1996 Kato et al. 29/872
5,657,198 A 8/1997 Flener
5,669,191 A 9/1997 Weaver
D388,833 S 1/1998 Wilson
5,712,767 A 1/1998 Koizumi
D390,066 S * 2/1998 Watkins et al. D7/633
D393,345 S 4/1998 Clegg et al.
5,740,622 A 4/1998 Martin
D396,146 S 7/1998 Blue
D401,883 S 12/1998 Madhvani
5,845,883 A * 12/1998 Meyer 248/73
5,869,784 A * 2/1999 Shinchi 174/84 R
D407,453 S 3/1999 Rashman
5,887,368 A 3/1999 Rupp
D412,136 S 7/1999 Namdar et al.
5,922,993 A * 7/1999 Ide et al. 174/84 R
5,925,202 A * 7/1999 Ide et al. 156/73.2
5,929,384 A * 7/1999 Ide et al. 174/84 R
5,933,995 A 8/1999 Gorbach
5,934,509 A 8/1999 Niss
D413,544 S 9/1999 Steinberg
5,971,436 A 10/1999 Cox
5,979,028 A 11/1999 Hicks et al.
D421,773 S 3/2000 Yashar
6,087,589 A * 7/2000 Ide 174/78
6,120,565 A 9/2000 Dix et al.
D436,518 S * 1/2001 Matsubara D8/356
D438,624 S 3/2001 Reina
D438,788 S 3/2001 Rigel
6,226,865 B1 5/2001 Tanikawa et al.
D446,676 S 8/2001 Mayes
D446,903 S 8/2001 Pavan
6,269,573 B1 * 8/2001 Najmi 40/666
D448,276 S 9/2001 Kelleghan
6,301,756 B1 10/2001 Howard
D449,981 S 11/2001 Davis
D452,135 S * 12/2001 Wyatt et al. D8/354
6,332,247 B1 12/2001 Hsieh
D454,244 S 3/2002 Scheff
D454,971 S 3/2002 Crosby
D455,145 S 4/2002 Williams
D456,016 S 4/2002 Denson
D456,389 S 4/2002 Denson
D456,692 S * 5/2002 Epstein D8/356
D457,157 S 5/2002 Best
6,381,840 B2 * 5/2002 Ide 29/872
6,392,147 B1 5/2002 Hier et al.
D459,194 S 6/2002 Johansson et al.
6,409,131 B1 * 6/2002 Bentley et al. 248/219.4
D460,350 S 7/2002 Davis
6,430,782 B1 8/2002 Torres et al.
D465,993 S 11/2002 Kelleghan
6,490,789 B1 * 12/2002 Ide 29/872
6,497,063 B1 12/2002 Stephens
D477,772 S * 7/2003 Nezu D8/383
6,598,558 B2 7/2003 Griffin
6,634,528 B2 10/2003 Hurtgam
D481,649 S 11/2003 Samuels
D482,391 S 11/2003 Hui
D482,736 S * 11/2003 Manville D21/484
6,651,362 B2 11/2003 Caveney
6,657,126 B2 * 12/2003 Ide et al. 174/78
6,662,445 B2 12/2003 Tanikawa et al.
D485,783 S 1/2004 Youngman
D486,926 S 2/2004 Yuen
D488,195 S * 4/2004 Manville D21/484
D490,692 S 6/2004 Williams
D491,836 S 6/2004 Haimoff
D492,800 S 7/2004 Yuen
D494,087 S 8/2004 Lax
D494,090 S 8/2004 Lax
D494,091 S 8/2004 Lax
D494,092 S 8/2004 Lax
D494,093 S 8/2004 Lax
6,844,499 B2 * 1/2005 Ide et al. 174/84 R
D502,122 S 2/2005 Lax
6,858,804 B2 * 2/2005 Murakami et al. 174/84 R
D505,091 S 5/2005 Youngman
D505,356 S 5/2005 Ho
D507,508 S 7/2005 Brownell
6,940,020 B2 * 9/2005 Ide et al. 174/78
D511,709 S 11/2005 Mehta
D511,987 S 11/2005 Swarovski
D511,989 S 11/2005 Pereira De Castro et al.
D512,934 S 12/2005 Voorn
D514,978 S 2/2006 Laxhi
D520,676 S 5/2006 Chen
D521,409 S 5/2006 De Castro et al.
7,073,282 B2 7/2006 Savagian et al.
7,111,812 B2 * 9/2006 Shannon et al. 248/230.7
D529,557 S 10/2006 Greenwald
D534,594 S 1/2007 Revere
D535,907 S 1/2007 Sevdermish
D538,351 S 3/2007 Strong et al.
D542,123 S 5/2007 Symons
D548,057 S 8/2007 Kelleghan
D563,157 S * 3/2008 Bouveret et al. D7/392.1
D563,616 S * 3/2008 Lynde et al. D32/40

D563,828 S	3/2008	Meijer		U.S. Appl. No. 29/411,316, filed Jan. 19, 2012, Scott E. Dunn.
D568,723 S	5/2008	Morgan		U.S. Appl. No. 61/439,606, filed Feb. 4, 2011, Dunn.
D572,126 S	7/2008	Tomaka		U.S. Appl. No. 13/367,352, filed Feb. 6, 2012, Dunn.
D572,165 S	7/2008	Lichtenstein		U.S. Appl. No. 29/394,588, filed Jun. 18, 2011, Dunn.
D578,163 S	* 10/2008	Chou	D19/99	U.S. Appl. No. 29/394,592, filed Jun. 18, 2011, Dunn.
D578,275 S	10/2008	Shantz et al.		U.S. Appl. No. 29/394,596, Dunn.
D585,196 S	1/2009	Bundrick		U.S. Appl. No. 29/394,597, Dunn.
D587,162 S	2/2009	Baker		U.S. Appl. No. 29/411,284, Dunn.
D587,163 S	2/2009	Baker		U.S. Appl. No. 29/411,285, Dunn.
D587,164 S	2/2009	Baker		U.S. Appl. No. 29/411,286, Dunn.
D587,623 S	3/2009	Baker		U.S. Appl. No. 29/411,288, Dunn.
D587,624 S	3/2009	Baker		U.S. Appl. No. 29/411,291, Dunn.
D589,328 S	* 3/2009	Edge	D8/356	U.S. Appl. No. 29/411,283, Dunn.
7,509,765 B2	3/2009	Flores		U.S. Appl. No. 29/411,293, Dunn.
D590,676 S	4/2009	Pickard		U.S. Appl. No. 29/411,295, Dunn.
D590,885 S	4/2009	Love		U.S. Appl. No. 29/411,296, Dunn.
D592,540 S	* 5/2009	Rydlawicz	D11/90	U.S. Appl. No. 29/411,297, Dunn.
D599,246 S	9/2009	Rudes		U.S. Appl. No. 29/411,298, Dunn.
D609,951 S	* 2/2010	Walker	D6/559	U.S. Appl. No. 29/411,300, Dunn.
D610,482 S	2/2010	Shaw		U.S. Appl. No. 29/411,302, filed Jan. 19, 2012, Dunn.
7,687,999 B2	3/2010	Essick et al.		U.S. Appl. No. 29/411,311, filed Jan. 19, 2012, Dunn.
D618,985 S	* 7/2010	Sjoqvist	D8/356	U.S. Appl. No. 29/411,313, filed Jan. 19, 2012, Dunn.
D626,880 S	11/2010	Castaline et al.		U.S. Appl. No. 29/411,315, filed Jan. 19, 2012, Dunn.
D629,286 S	12/2010	Laskowski		U.S. Appl. No. 29/411,316, filed Jan. 19, 2012, Dunn.
D629,671 S	* 12/2010	Ohuri et al.	D8/356	U.S. Appl. No. 29/411,277, Dunn.
D635,485 S	4/2011	Schanzer		U.S. Appl. No. 29/411,282, Dunn.
D639,408 S	* 6/2011	Newman	D23/304	Specification, Claims, and Drawings entered by the U.S. Patent and Trademark Office on Feb. 4, 2011 for U.S. Appl. No. 61/439,606, filed Feb. 4, 2011 (First Named Inventor—Dunn) (21 pages).
D639,700 S	6/2011	Adams et al.		Specification, Claims, and Drawings entered by the U.S. Patent and Trademark Office on Feb. 6, 2012 for U.S. Appl. No. 13/367,352, filed Feb. 6, 2012 (First Named Inventor—Dunn) (28 pages).
D644,150 S	* 8/2011	Edick	D12/162	Specification, Claims, and Drawings entered by the U.S. Patent and Trademark Office on Jun. 18, 2011 for U.S. Appl. No. 29/394,588, filed Jun. 18, 2011 (First Named Inventor—Dunn) (34 pages).
D644,501 S	9/2011	Chen		Requirement for Restriction/Election entered by the U.S. Patent and Trademark Office on Sep. 21, 2011 for U.S. Appl. No. 29/394,588, filed Jun. 18, 2011 (First Named Inventor—Dunn) (5 pages).
D645,345 S	* 9/2011	Liebowitz et al.	D9/435	Response to Election / Restriction Filed entered by the U.S. Patent and Trademark Office on Nov. 21, 2011 for U.S. Appl. No. 29/394,588, filed Jun. 18, 2011 (First Named Inventor—Dunn) (2 pages).
D646,730 S	10/2011	Burch		Notice of Allowance and Fees Due entered by the U.S. Patent and Trademark Office on Jan. 6, 2012 for U.S. Appl. No. 29/394,588, filed Jun. 18, 2011 (First Named Inventor—Dunn) (8 pages).
D652,460 S	* 1/2012	Kulzer	D21/686	Specification, Claims, and Drawings entered by the U.S. Patent and Trademark Office on Jun. 18, 2011 for U.S. Appl. No. 29/394,589, filed Jun. 18, 2011 (First Named Inventor—Dunn) (12 pages).
D652,766 S	1/2012	Dunn		Notice of Allowance and Fees Due entered by the U.S. Patent and Trademark Office on Sep. 20, 2011 for U.S. Appl. No. 29/394,589, filed Jun. 18, 2011 (First Named Inventor—Dunn) (7 pages).
D652,767 S	1/2012	Dunn		Supplemental Notice of Allowability entered by the U.S. Patent and Trademark Office on Nov. 14, 2011 for U.S. Appl. No. 29/394,589, filed Jun. 18, 2011 (First Named Inventor—Dunn) (4 pages).
D653,163 S	1/2012	Dunn		Issue Notification entered by the U.S. Patent and Trademark Office on Jan. 11, 2012 for U.S. Appl. No. 29/394,589, filed Jun. 18, 2011 (First Named Inventor—Dunn) (1 page).
D653,164 S	* 1/2012	Dunn	D11/184	Specification, Claims, and Drawings entered by the U.S. Patent and Trademark Office on Jun. 18, 2011 for U.S. Appl. No. 29/394,590, filed Jun. 18, 2011 (First Named Inventor—Dunn) (14 pages).
D653,165 S	1/2012	Dunn		Notice of Allowance and Fees Due entered by the U.S. Patent and Trademark Office on Sep. 23, 2011 for U.S. Appl. No. 29/394,590, filed Jun. 18, 2011 (First Named Inventor—Dunn) (7 pages).
D653,166 S	1/2012	Dunn		Supplemental Notice of Allowability entered by the U.S. Patent and Trademark Office on Oct. 25, 2011 for U.S. Appl. No. 29/394,590, filed Jun. 18, 2011 (First Named Inventor—Dunn) (2 pages).
D653,167 S	1/2012	Dunn		Issue Notification entered by the U.S. Patent and Trademark Office on Jan. 4, 2012 for U.S. Appl. No. 29/394,590, filed Jun. 18, 2011 (First Named Inventor—Dunn) (1 page).
D653,168 S	1/2012	Dunn		Specification, Claims, and Drawings entered by the U.S. Patent and Trademark Office on Jun. 18, 2011 for U.S. Appl. No. 29/394,591, filed Jun. 18, 2011 (First Named Inventor—Dunn) (10 pages).
D655,887 S	* 3/2012	Zbuchalski	D1/128	
D656,067 S	3/2012	Dunn		
2008/0285785 A1	* 11/2008	Zieg et al.	381/370	
2012/0031981 A1	2/2012	Westlake et al.		

OTHER PUBLICATIONS

U.S. Appl. No. 29/394,590, filed Jun. 18, 2011, Scott E. Dunn.
 U.S. Appl. No. 29/394,591, filed Jun. 18, 2011, Scott E. Dunn.
 U.S. Appl. No. 29/394,592, filed Jun. 18, 2011, Scott E. Dunn.
 U.S. Appl. No. 29/394,593, filed Jun. 18, 2011, Scott E. Dunn.
 U.S. Appl. No. 29/394,594, filed Jun. 18, 2011, Scott E. Dunn.
 U.S. Appl. No. 29/394,595, filed Jun. 18, 2011, Scott E. Dunn.
 U.S. Appl. No. 29/394,596, filed Jun. 18, 2011, Scott E. Dunn.
 U.S. Appl. No. 29/394,597, filed Jun. 18, 2011, Scott E. Dunn.
 U.S. Appl. No. 29/394,598, filed Jun. 18, 2011, Scott E. Dunn.
 U.S. Appl. No. 29/394,599, filed Jun. 18, 2011, Scott E. Dunn.
 U.S. Appl. No. 29/394,600, filed Jun. 18, 2011, Scott E. Dunn.
 U.S. Appl. No. 29/411,277, filed Jan. 19, 2012, Scott E. Dunn.
 U.S. Appl. No. 29/411,282, filed Jan. 19, 2012, Scott E. Dunn.
 U.S. Appl. No. 29/411,283, filed Jan. 19, 2012, Scott E. Dunn.
 U.S. Appl. No. 29/411,284, filed Jan. 19, 2012, Scott E. Dunn.
 U.S. Appl. No. 29/411,285, filed Jan. 19, 2012, Scott E. Dunn.
 U.S. Appl. No. 29/411,286, filed Jan. 19, 2012, Scott E. Dunn.
 U.S. Appl. No. 29/411,288, filed Jan. 19, 2012, Scott E. Dunn.
 U.S. Appl. No. 29/411,291, filed Jan. 19, 2012, Scott E. Dunn.
 U.S. Appl. No. 29/411,293, filed Jan. 19, 2012, Scott E. Dunn.
 U.S. Appl. No. 29/411,295, filed Jan. 19, 2012, Scott E. Dunn.
 U.S. Appl. No. 29/411,296, filed Jan. 19, 2012, Scott E. Dunn.
 U.S. Appl. No. 29/411,297, filed Jan. 19, 2012, Scott E. Dunn.
 U.S. Appl. No. 29/411,298, filed Jan. 19, 2012, Scott E. Dunn.
 U.S. Appl. No. 29/411,300, filed Jan. 19, 2012, Scott E. Dunn.
 U.S. Appl. No. 29/411,302, filed Jan. 19, 2012, Scott E. Dunn.
 U.S. Appl. No. 29/411,311, filed Jan. 19, 2012, Scott E. Dunn.
 U.S. Appl. No. 29/411,313, filed Jan. 19, 2012, Scott E. Dunn.
 U.S. Appl. No. 29/411,315, filed Jan. 19, 2012, Scott E. Dunn.

Specification, Claims, and Drawings entered by the U.S. Patent and Trademark Office on Jan. 19, 2012 for U.S. Appl. No. 29/411,291, filed Jan. 19, 2012 (First Named Inventor—Dunn) (7 pages).

Specification, Claims, and Drawings entered by the U.S. Patent and Trademark Office on Jan. 19, 2012 for U.S. Appl. No. 29/411,293, filed Jan. 19, 2012 (First Named Inventor—Dunn) (7 pages).

Specification, Claims, and Drawings entered by the U.S. Patent and Trademark Office on Jan. 19, 2012 for U.S. Appl. No. 29/411,295, filed Jan. 19, 2012 (First Named Inventor—Dunn) (7 pages).

Notice of Allowance entered by the U.S. Patent and Trademark Office on Apr. 4, 2012 for U.S. Appl. No. 29/411,295, filed Jan. 19, 2012 (First Named Inventor—Dunn) (7 pages).

Specification, Claims, and Drawings entered by the U.S. Patent and Trademark Office on Jan. 19, 2012 for U.S. Appl. No. 29/411,296, filed Jan. 19, 2012 (First Named Inventor—Dunn) (7 pages).

Specification, Claims, and Drawings entered by the U.S. Patent and Trademark Office on Jan. 19, 2012 for U.S. Appl. No. 29/411,297, filed Jan. 19, 2012 (First Named Inventor—Dunn) (7 pages).

Specification, Claims, and Drawings entered by the U.S. Patent and Trademark Office on Jan. 19, 2012 for U.S. Appl. No. 29/411,298, filed Jan. 19, 2012 (First Named Inventor—Dunn) (7 pages).

Specification, Claims, and Drawings entered by the U.S. Patent and Trademark Office on Jan. 19, 2012 for U.S. Appl. No. 29/411,300, filed Jan. 19, 2012 (First Named Inventor—Dunn) (8 pages).

Specification, Claims, and Drawings entered by the U.S. Patent and Trademark Office on Jan. 19, 2012 for U.S. Appl. No. 29/411,302, filed Jan. 19, 2012 (First Named Inventor—Dunn) (8 pages).

Specification, Claims, and Drawings entered by the U.S. Patent and Trademark Office on Jan. 19, 2012 for U.S. Appl. No. 29/411,311, filed Jan. 19, 2012 (First Named Inventor—Dunn) (8 pages).

Specification, Claims, and Drawings entered by the U.S. Patent and Trademark Office on Jan. 19, 2012 for U.S. Appl. No. 29/411,313, filed Jan. 19, 2012 (First Named Inventor—Dunn) (8 pages).

Specification, Claims, and Drawings entered by the U.S. Patent and Trademark Office on Jan. 19, 2012 for U.S. Appl. No. 29/411,315, filed Jan. 19, 2012 (First Named Inventor—Dunn) (8 pages).

Specification, Claims, and Drawings entered by the U.S. Patent and Trademark Office on Jan. 19, 2012 for U.S. Appl. No. 29/411,316, filed Jan. 19, 2012 (First Named Inventor—Dunn) (8 pages).

Stick'nGo, <http://stickngo.com.au>, Stick'nGo Cables Label, Accessed Nov. 26, 2010.

Fiber Network Tools, <http://www.fibernetnetworktools.com/catalog2.php>, FNT Cables and Assemblies, Accessed Nov. 26, 2010.

Nelco Products Incorporated, <http://www.nelcoproducts.com>, Nelco Blank Flag Tie Markets, Accessed Nov. 26, 2010.

Sunlec International, <http://www.sunlec.com.au>, Sunlec International Cable Sleeves, Accessed Nov. 26, 2010.

The Cable Label Co., <http://www.thecablelabelco.co.uk/buy.php>, Buy Cable Bug Labels in Bags, Accessed Nov. 26, 2010.

The Storage Store, <http://www.thestoragelabel.com>, Computer Cable Flags, Accessed Nov. 26, 2010.

Non-final Office Action entered by the U.S. Patent and Trademark Office on Mar. 6, 2012 for U.S. Appl. No. 29/411,283, filed Jan. 19, 2012 (First Named Inventor—Dunn) (5 pages).

Non-final Office Action entered by the U.S. Patent and Trademark Office on Mar. 26, 2012 for U.S. Appl. No. 29/411,284, filed Jan. 19, 2012 (First Named Inventor—Dunn) (5 pages).

Notice of Allowance and Fees Due entered by the U.S. Patent and Trademark Office on Mar. 6, 2012 for U.S. Appl. No. 29/411,288, filed Jan. 19, 2012 (First Named Inventor—Dunn) (7 pages).

Notice of Allowance entered by the U.S. Patent and Trademark Office on Apr. 4, 2012 for U.S. Appl. No. 29/411,291, filed Jan. 19, 2012 (First Named Inventor—Dunn) (7 pages).

Notice of Allowance entered by the U.S. Patent and Trademark Office on Apr. 4, 2012 for U.S. Appl. No. 29/411,293, filed Jan. 19, 2012 (First Named Inventor—Dunn) (7 pages).

Notice of Allowance and Fees Due entered by the U.S. Patent and Trademark Office on Mar. 20, 2012 for U.S. Appl. No. 29/411,296, filed Jan. 19, 2012 (First Named Inventor—Dunn) (7 pages).

Notice of Allowance entered by the U.S. Patent and Trademark Office on Apr. 2, 2012 for U.S. Appl. No. 29/411,298, filed Jan. 19, 2012 (First Named Inventor—Dunn) (7 pages).

Notice of Allowance entered by the U.S. Patent and Trademark Office on Apr. 2, 2012 for U.S. Appl. No. 29/411,300, filed Jan. 19, 2012 (First Named Inventor—Dunn) (7 pages).

Notice of Allowance entered by the U.S. Patent and Trademark Office on Apr. 4, 2012 for U.S. Appl. No. 29/411,311, filed Jan. 19, 2012 (First Named Inventor—Dunn) (7 pages).

Specification, Claims, and Drawings entered by the U.S. Patent and Trademark Office on Jan. 19, 2012 for U.S. Appl. No. 29/411,277, filed Jan. 19, 2012 (First Named Inventor—Dunn) (7 pages).

Notice of Allowance and Fees Due entered by the U.S. Patent and Trademark Office on Mar. 2, 2012 for U.S. Appl. No. 29/411,277, filed Jan. 19, 2012 (First Named Inventor—Dunn) (7 pages).

Specification, Claims, and Drawings entered by the U.S. Patent and Trademark Office on Jan. 19, 2012 for U.S. Appl. No. 29/411,282, filed Jan. 19, 2012 (First Named Inventor—Dunn) (8 pages).

Notice of Allowance entered by the U.S. Patent and Trademark Office on Apr. 2, 2012 for U.S. Appl. No. 29/411,297, filed Jan. 19, 2012 (First Named Inventor—Dunn) (7 pages).

Notice of Allowance and Fees Due entered on Mar. 25, 2013 for U.S. Appl. No. 29/411,284, filed Jan. 19, 2012 (6 pages).

Notice of Allowance and Fees Due entered on Mar. 27, 2013 for U.S. Appl. No. 29/411,283, filed Jan. 19, 2012 (6 pages).

Notice of Allowance and Fees Due entered on Apr. 1, 2013 for U.S. Appl. No. 29/411,315, filed Jan. 19, 2012 (6 pages).

Non-Final Office Action entered Mar. 19, 2013 for U.S. Appl. No. 29/431,160, filed Sep. 4, 2012 (8 pages).

Amendment After Final entered on Mar. 27, 2013 for U.S. Appl. No. 29/430,979, filed Aug. 31, 2012 (3 pages).

Amendment After Final entered on Mar. 27, 2013 for U.S. Appl. No. 29/431,031, filed Aug. 31, 2012 (3 pages).

Supplemental Notice of Allowability entered on May 20, 2013 for U.S. Appl. No. 29/431,031, filed Aug. 31, 2012 (2 pages).

* cited by examiner

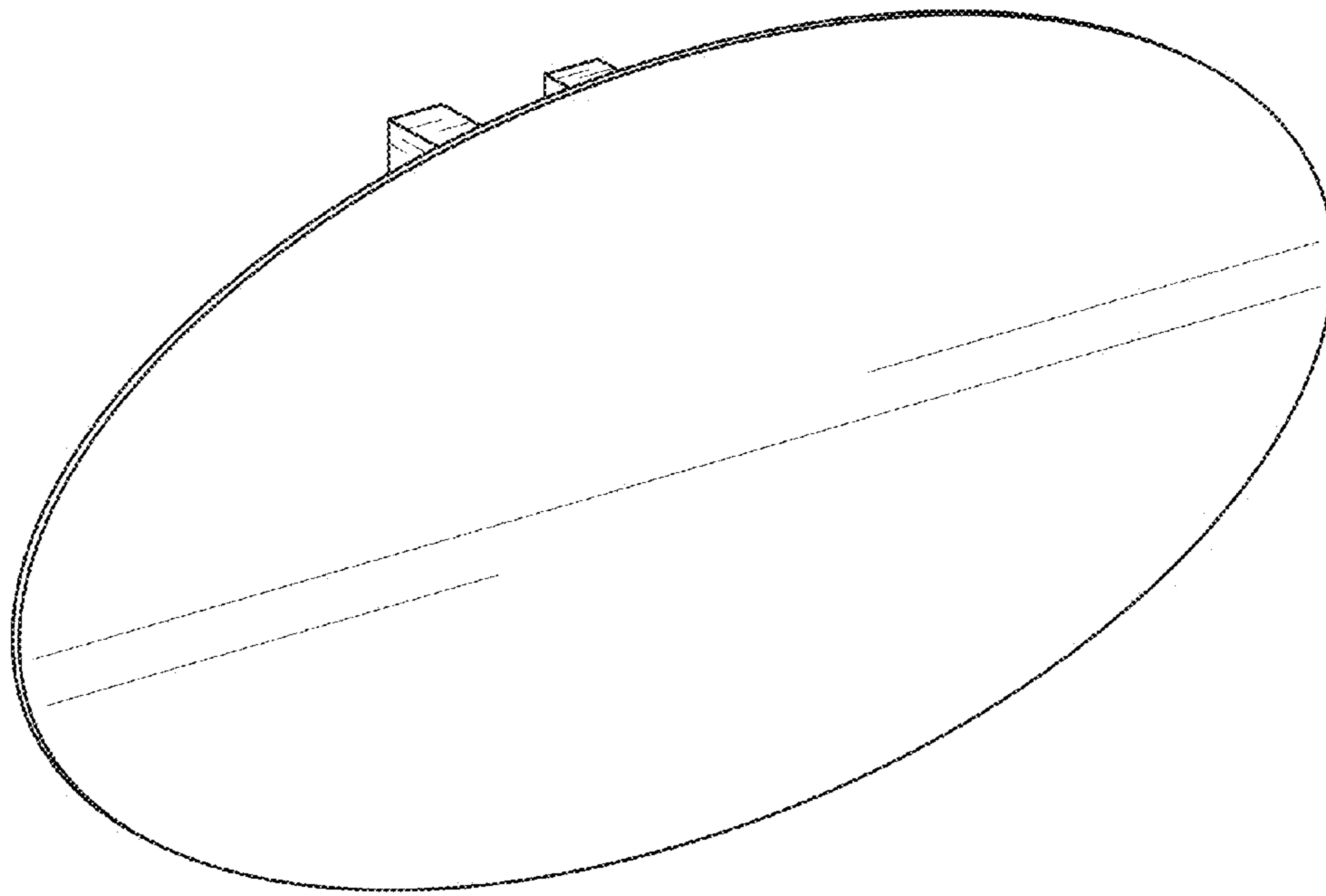


FIG. 1

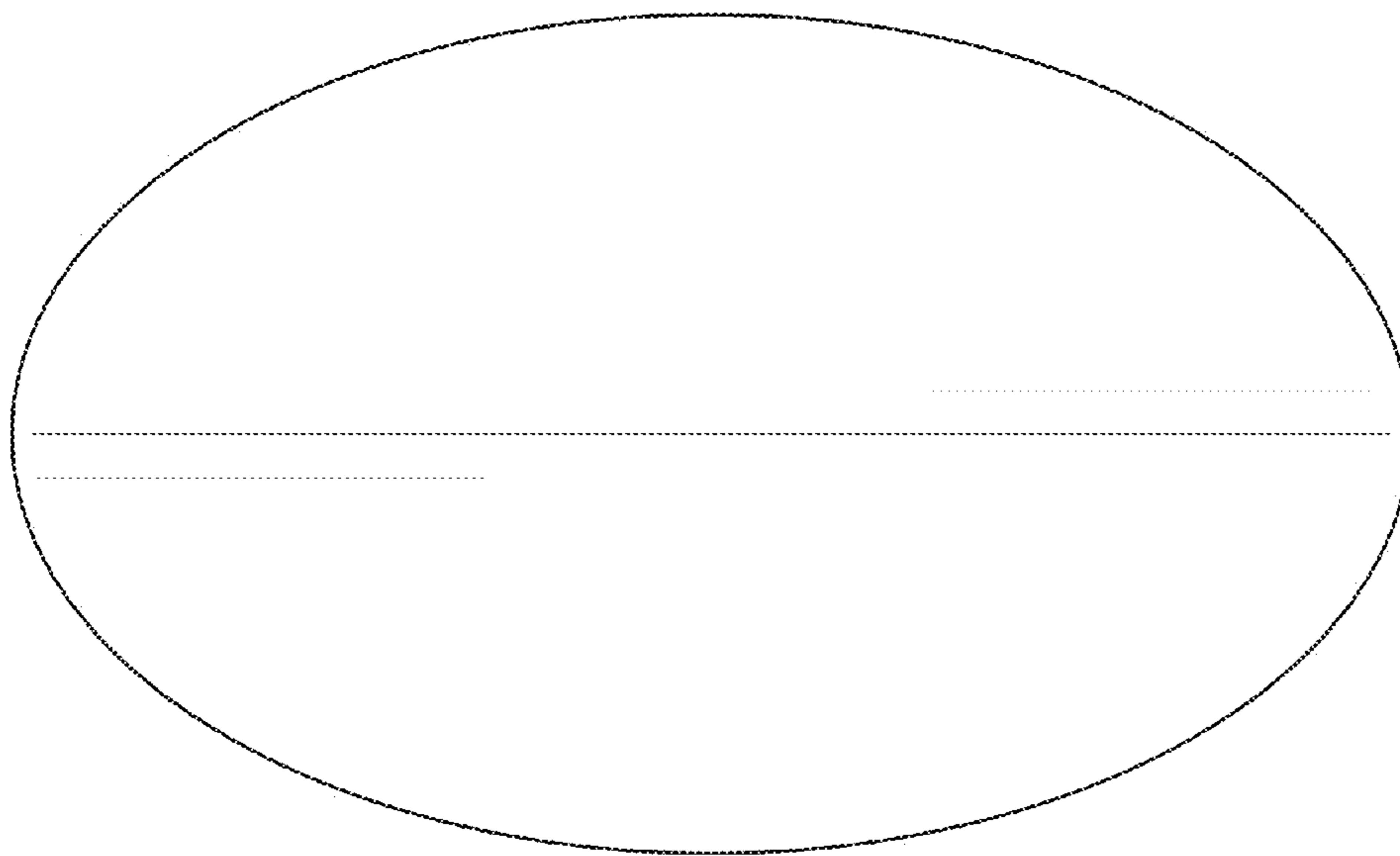


FIG. 2

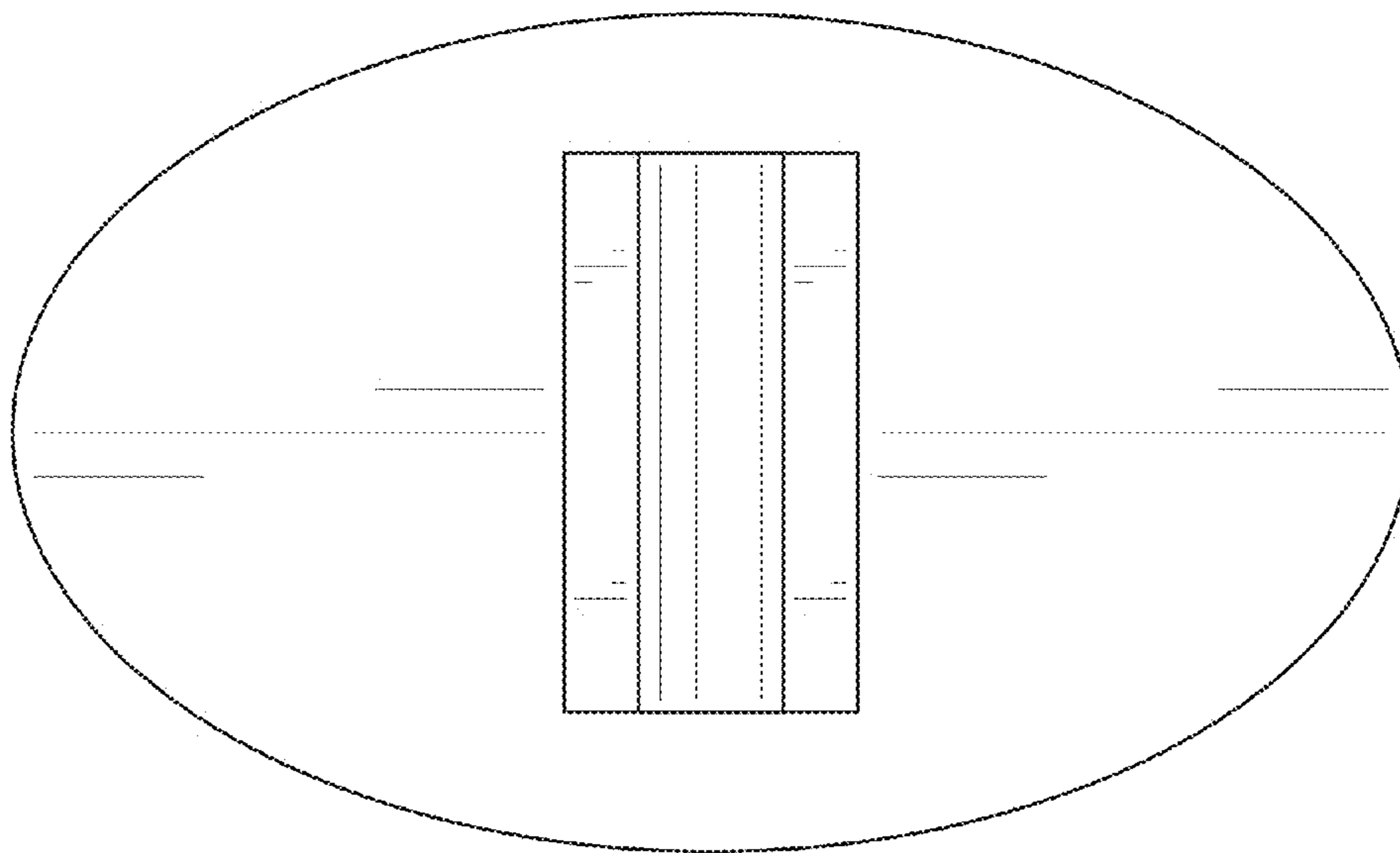


FIG. 3

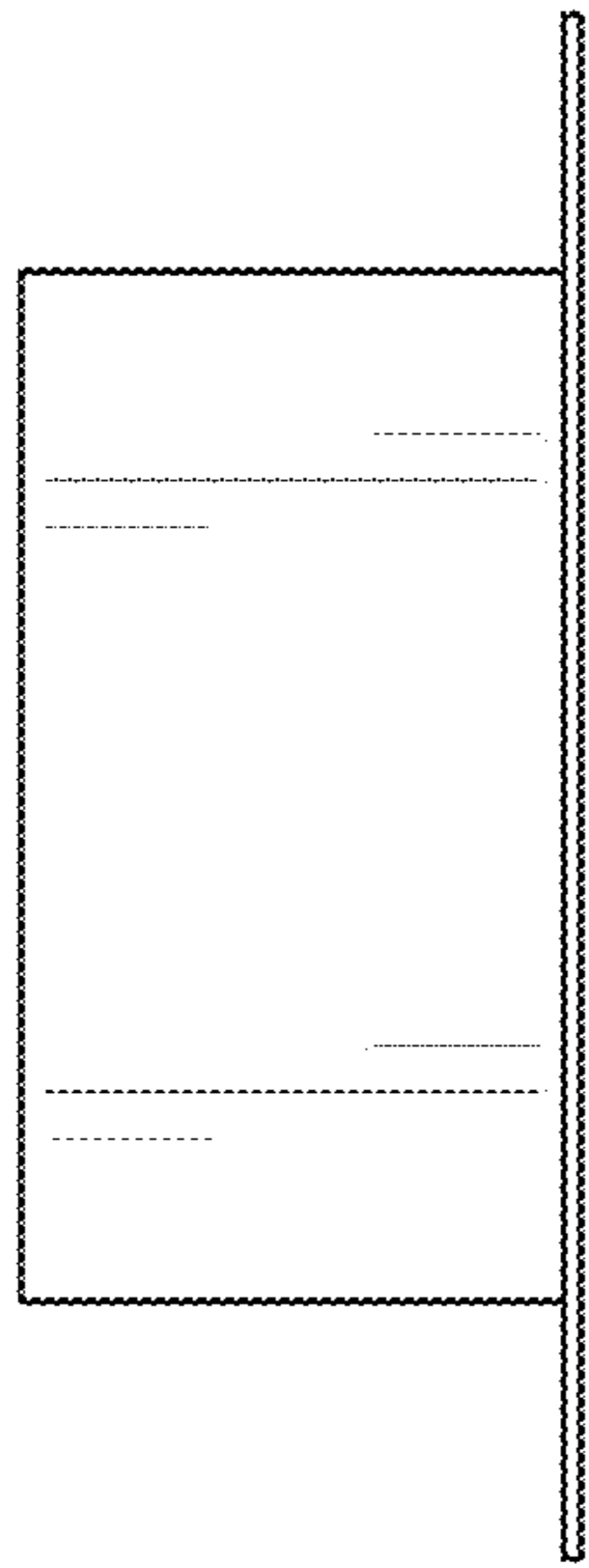


FIG. 4

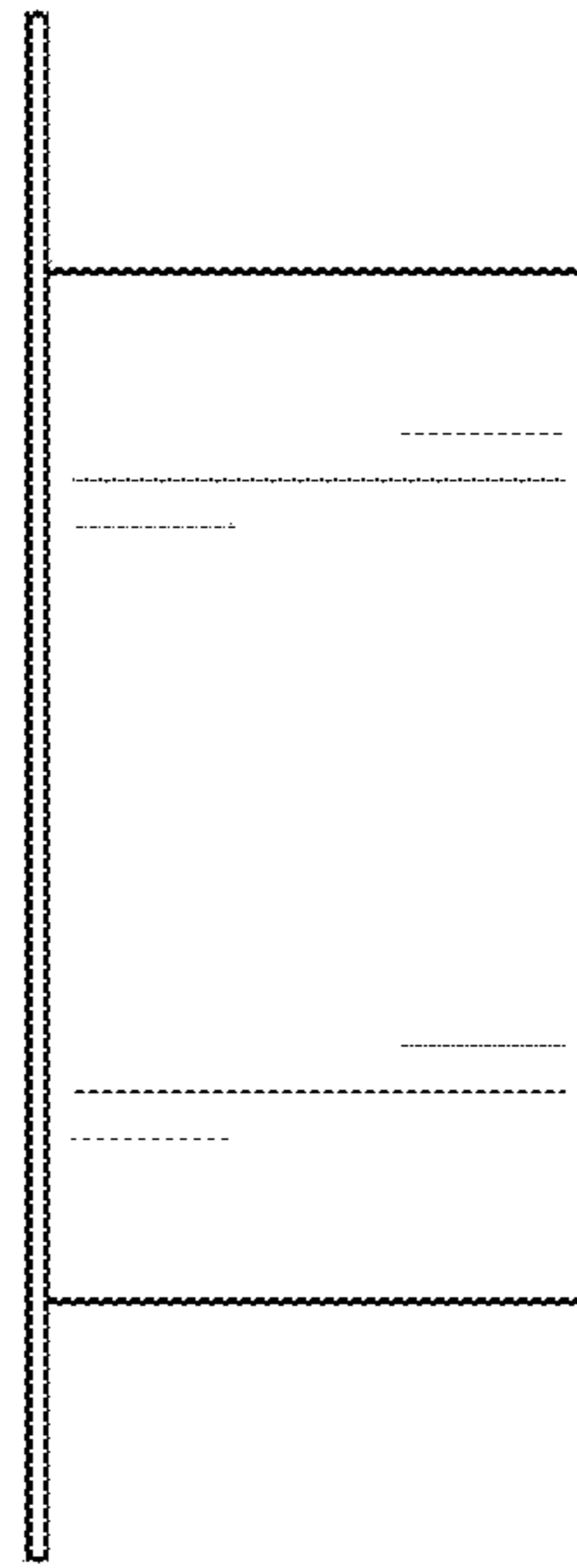


FIG. 5

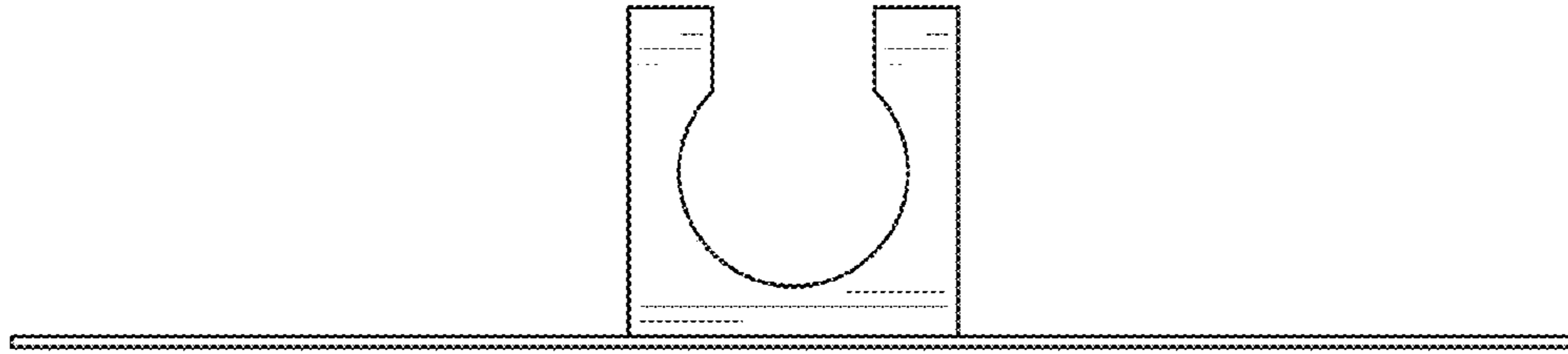


FIG. 6

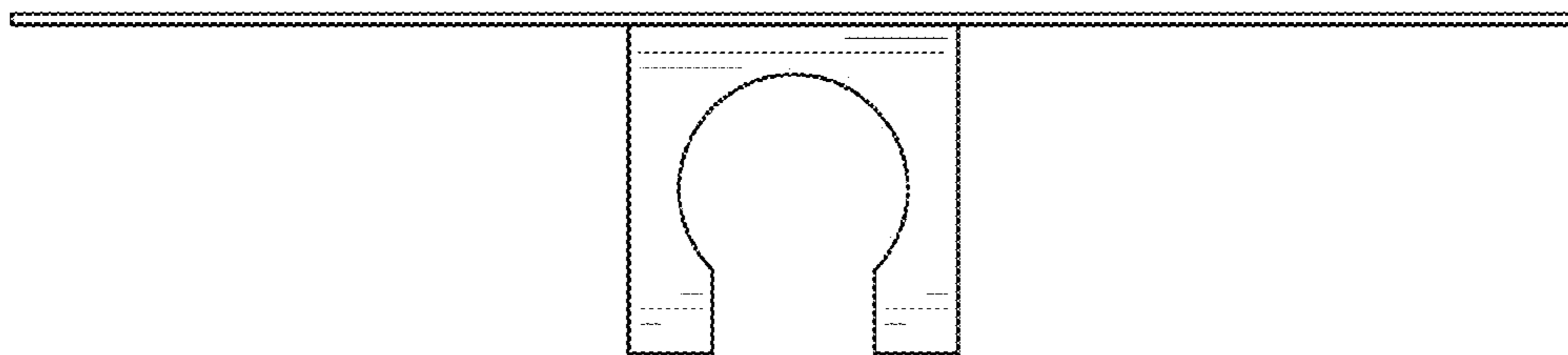


FIG. 7

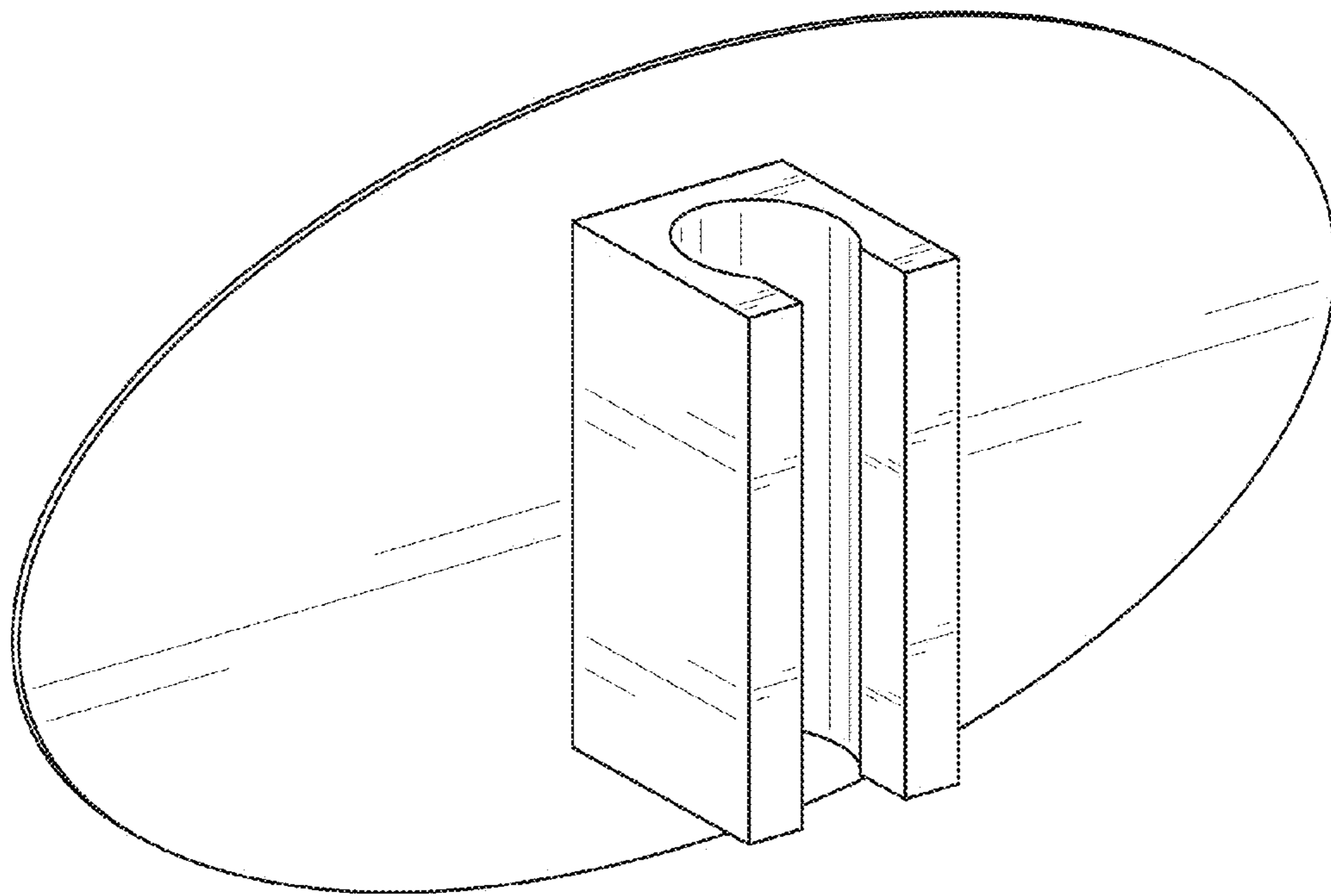


FIG. 8