



US00D688592S

(12) **United States Design Patent**  
**Placencia**

(10) **Patent No.:** **US D688,592 S**

(45) **Date of Patent:** **\*\* Aug. 27, 2013**

(54) **HYDROPONIC BUCKET**

(76) Inventor: **Rosalio Placencia**, Lompoc, CA (US)

(\*\*) Term: **14 Years**

(21) Appl. No.: **29/416,072**

(22) Filed: **Mar. 17, 2012**

(51) **LOC (9) Cl.** ..... **11-02**

(52) **U.S. Cl.**  
USPC ..... **D11/152**

(58) **Field of Classification Search**  
USPC ..... D6/403-405, 556-558; D8/1;  
D11/143-156, 164; D19/77, 80, 81, 84;  
D25/100; D26/9-11, 16, 19; D34/1, 2, 4-6;  
D99/5, 19; 47/17, 32.4, 32.5, 33, 39, 41.01,  
47/41.1, 41.11-41.15, 44-47, 65, 65.5, 65.9,  
47/66.1, 66.6, 66.7, 67-71

See application file for complete search history.

(56) **References Cited**

**U.S. PATENT DOCUMENTS**

D24,109 S	3/1895	Snapp	
1,557,712 A	10/1925	Little	
D245,408 S	8/1977	Baumann et al.	
D250,685 S *	1/1979	Insalaco	D6/405
D259,867 S	7/1981	Kenyon et al.	
D263,572 S	3/1982	Leroux	

D266,999 S	11/1982	Blaicher	
4,369,598 A	1/1983	Beckwith	
D278,989 S	5/1985	Baumann	
D279,175 S *	6/1985	Eklof	D11/164
4,903,432 A *	2/1990	Velagaleti et al.	47/81
D330,322 S	10/1992	Wilson	
D488,741 S *	4/2004	Moya	D11/143
D635,486 S	4/2011	Bodum	
D656,697 S *	3/2012	McNeil	D34/1
D661,223 S *	6/2012	Jaworski	D11/164

\* cited by examiner

*Primary Examiner* — Garth Rademaker

(74) *Attorney, Agent, or Firm* — QuickPatents; Kevin Prince

(57) **CLAIM**

I claim the ornamental design for a hydroponic bucket, as shown and described.

**DESCRIPTION**

FIG. 1 is a perspective view of a hydroponic bucket, showing my new design;

FIG. 2 is a top plan view thereof;

FIG. 3 is a bottom plan view thereof;

FIG. 4 is a front elevational view thereof;

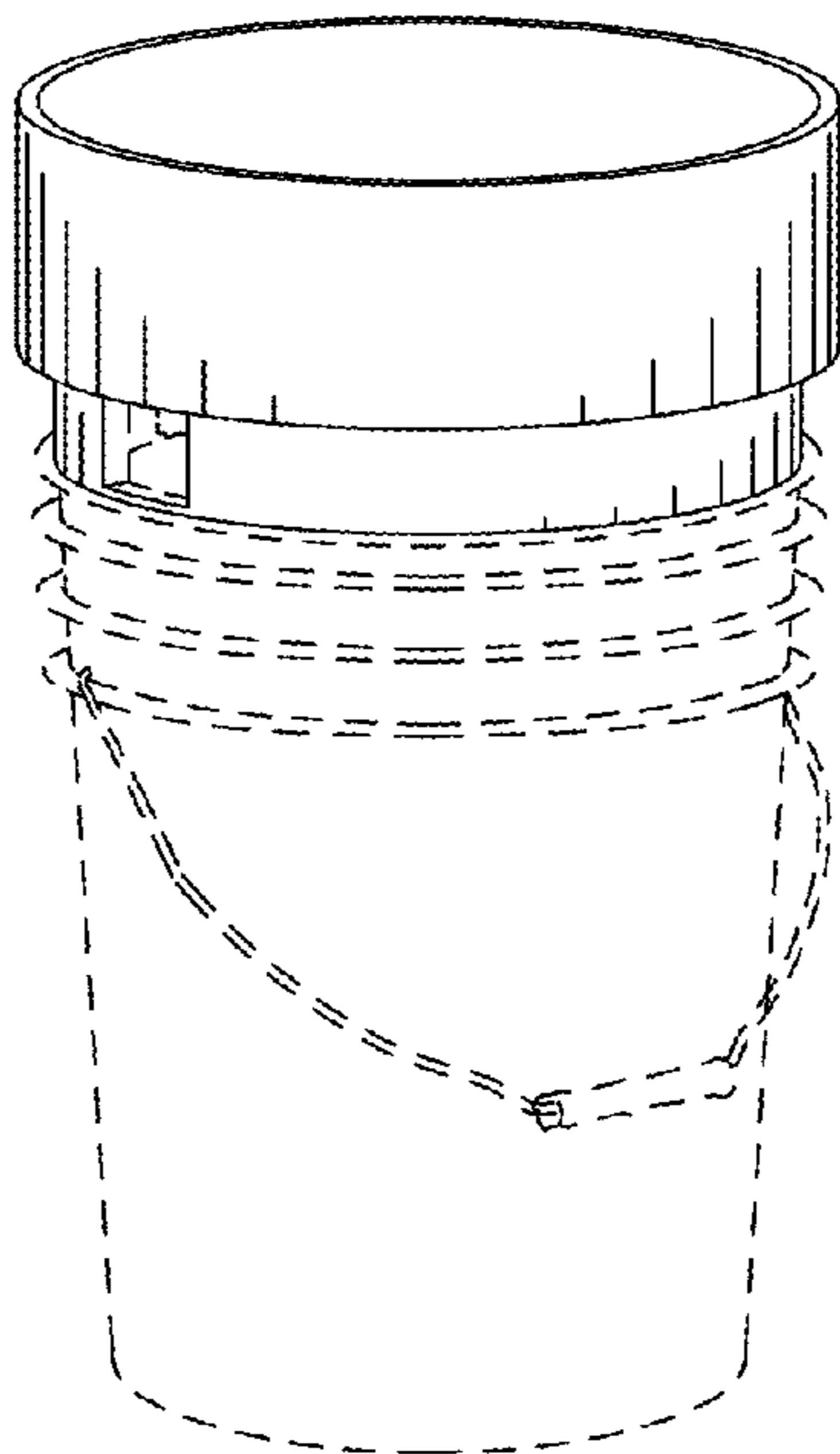
FIG. 5 is a rear elevational view thereof;

FIG. 6 is a right-side elevational view thereof; and,

FIG. 7 is a left-side elevational view thereof.

The broken lines in the drawings illustrate environmental matter that forms no part of the claimed design.

**1 Claim, 2 Drawing Sheets**



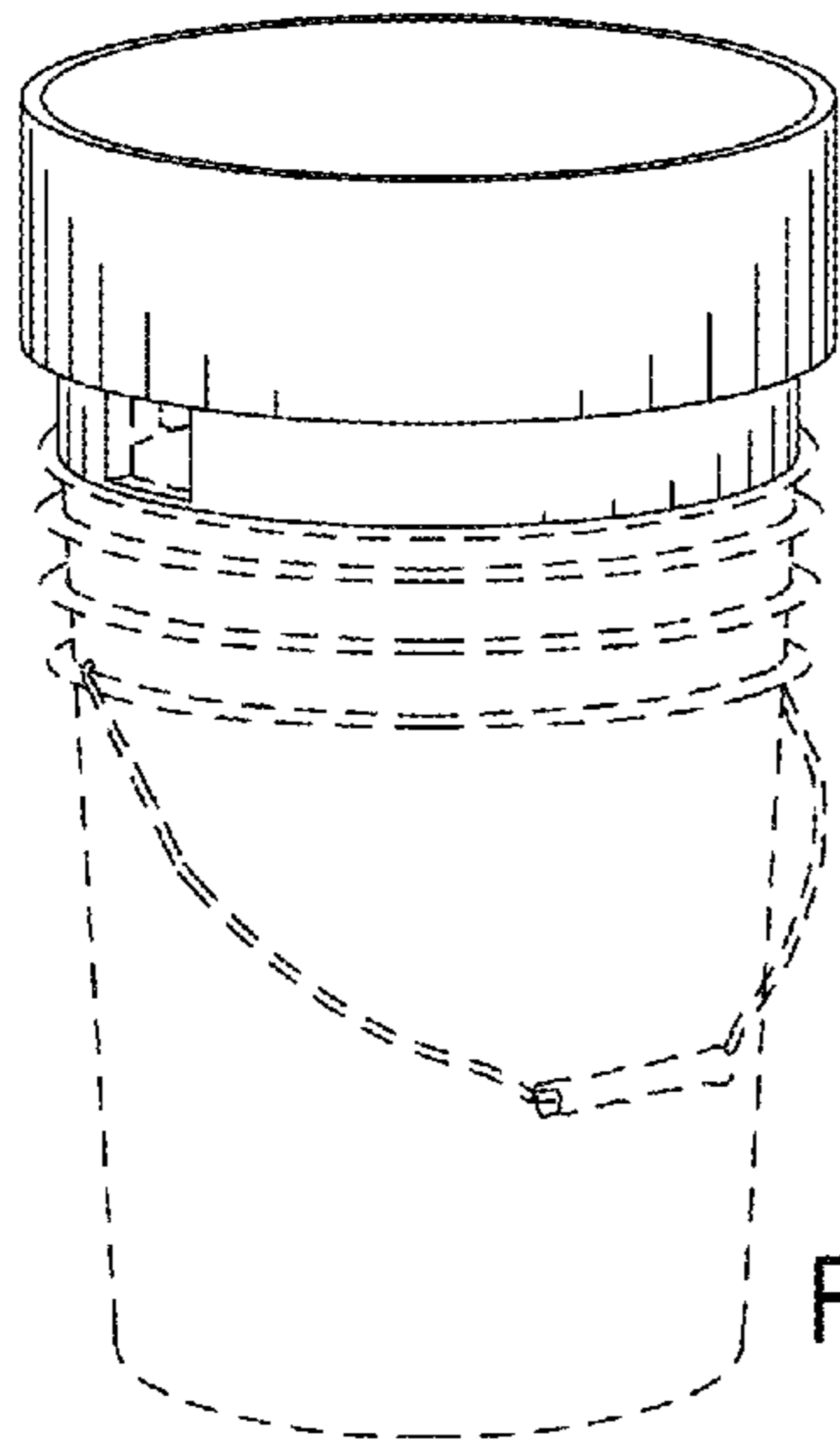


FIG. 1

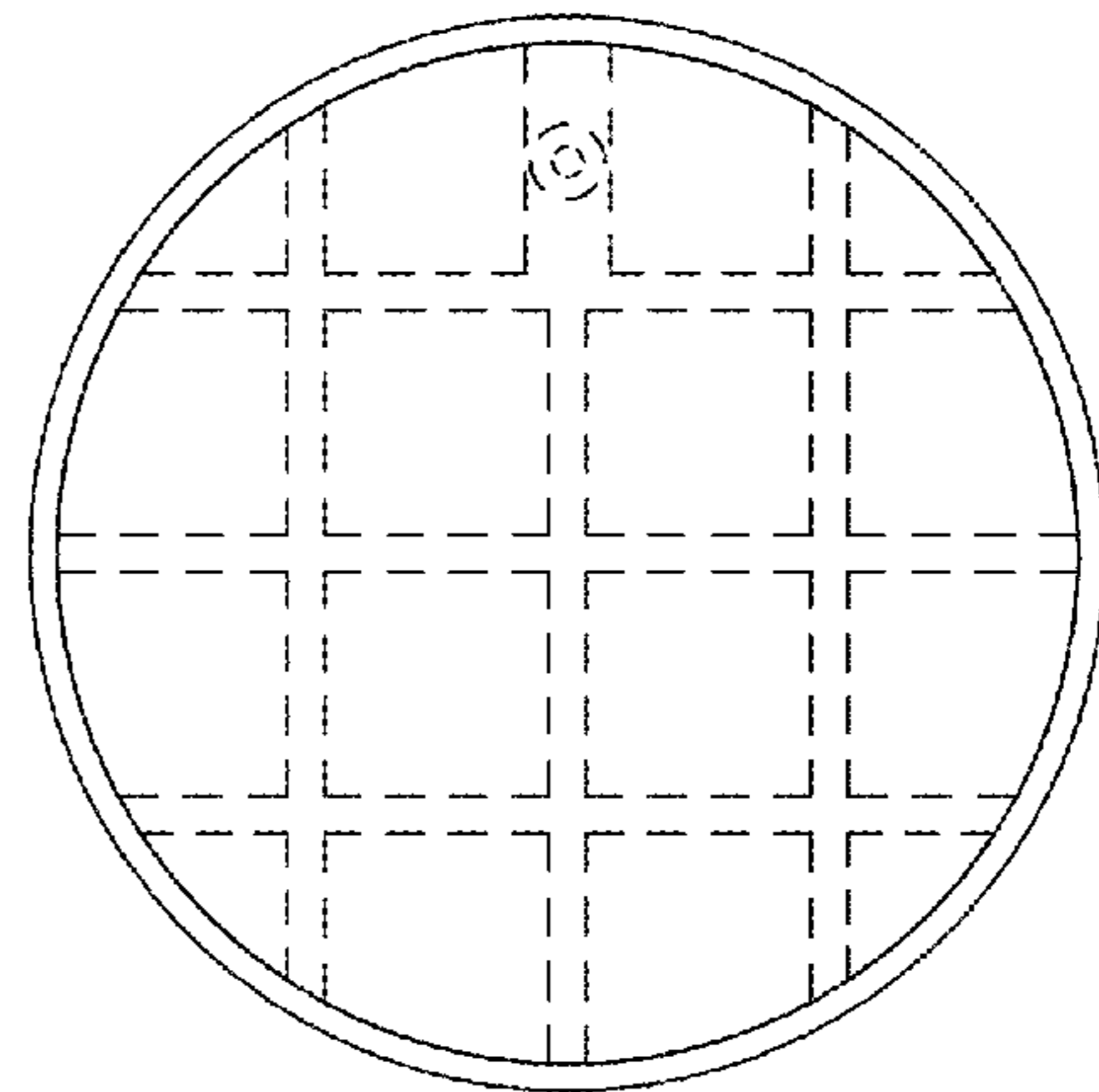


FIG. 2

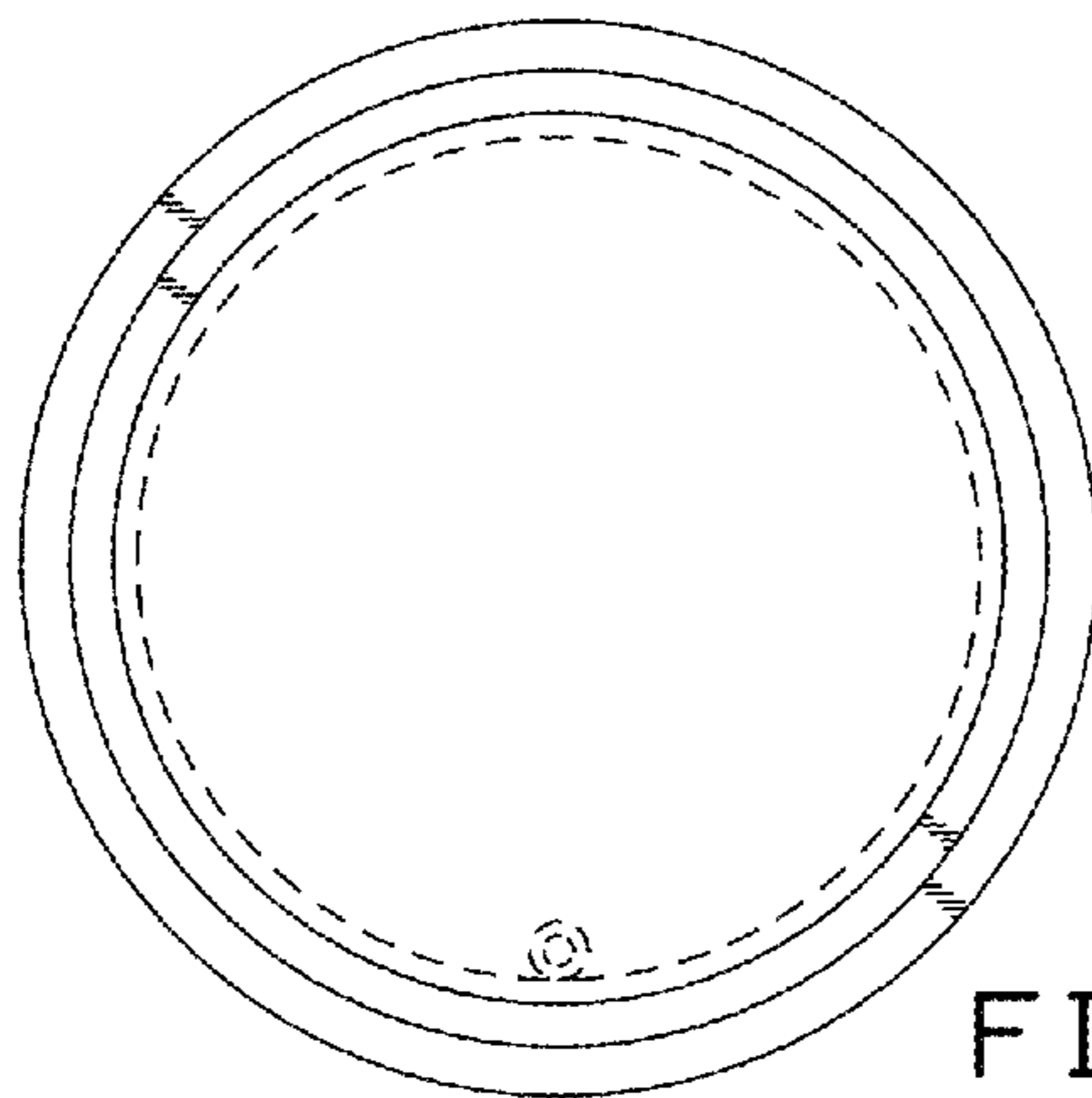


FIG. 3

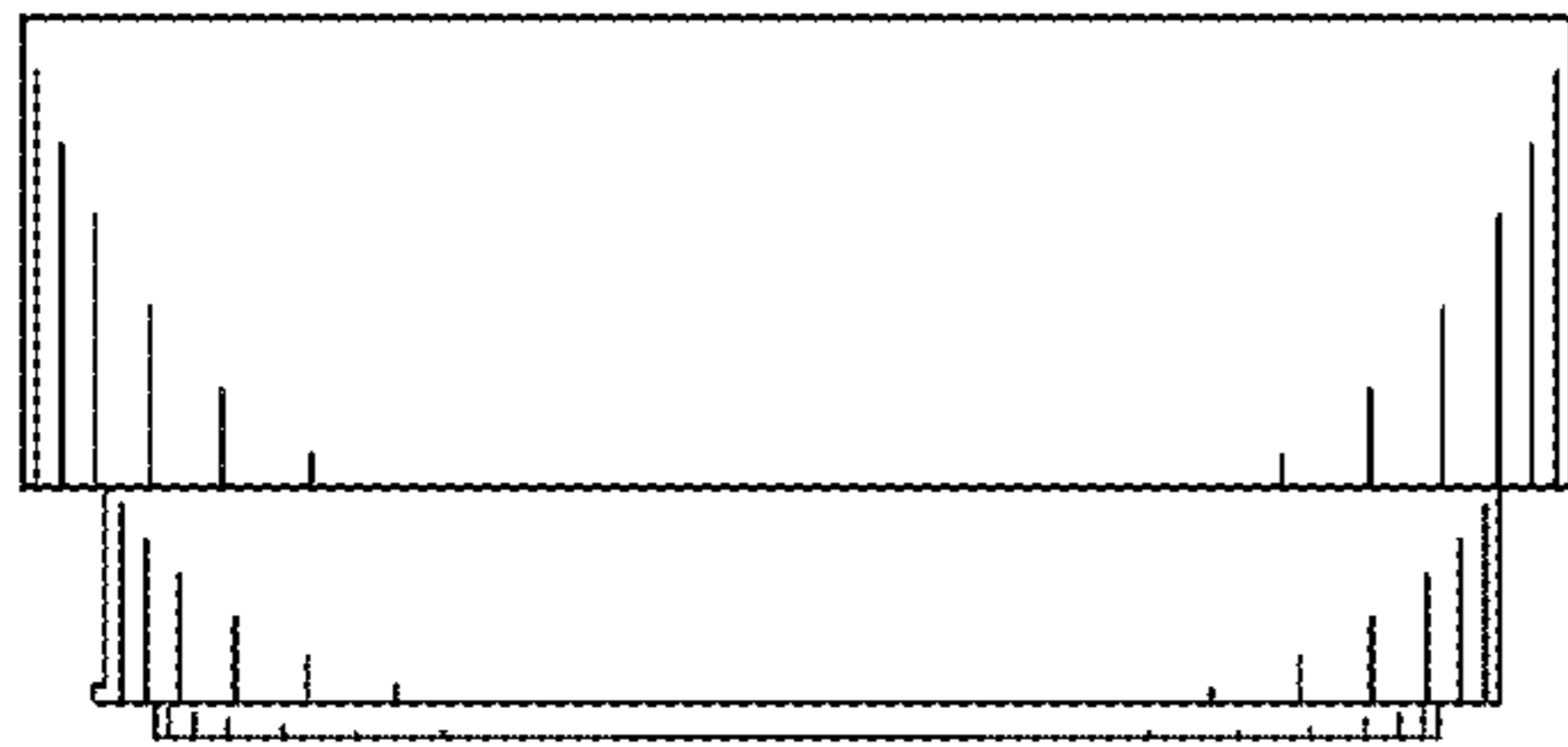


FIG. 4

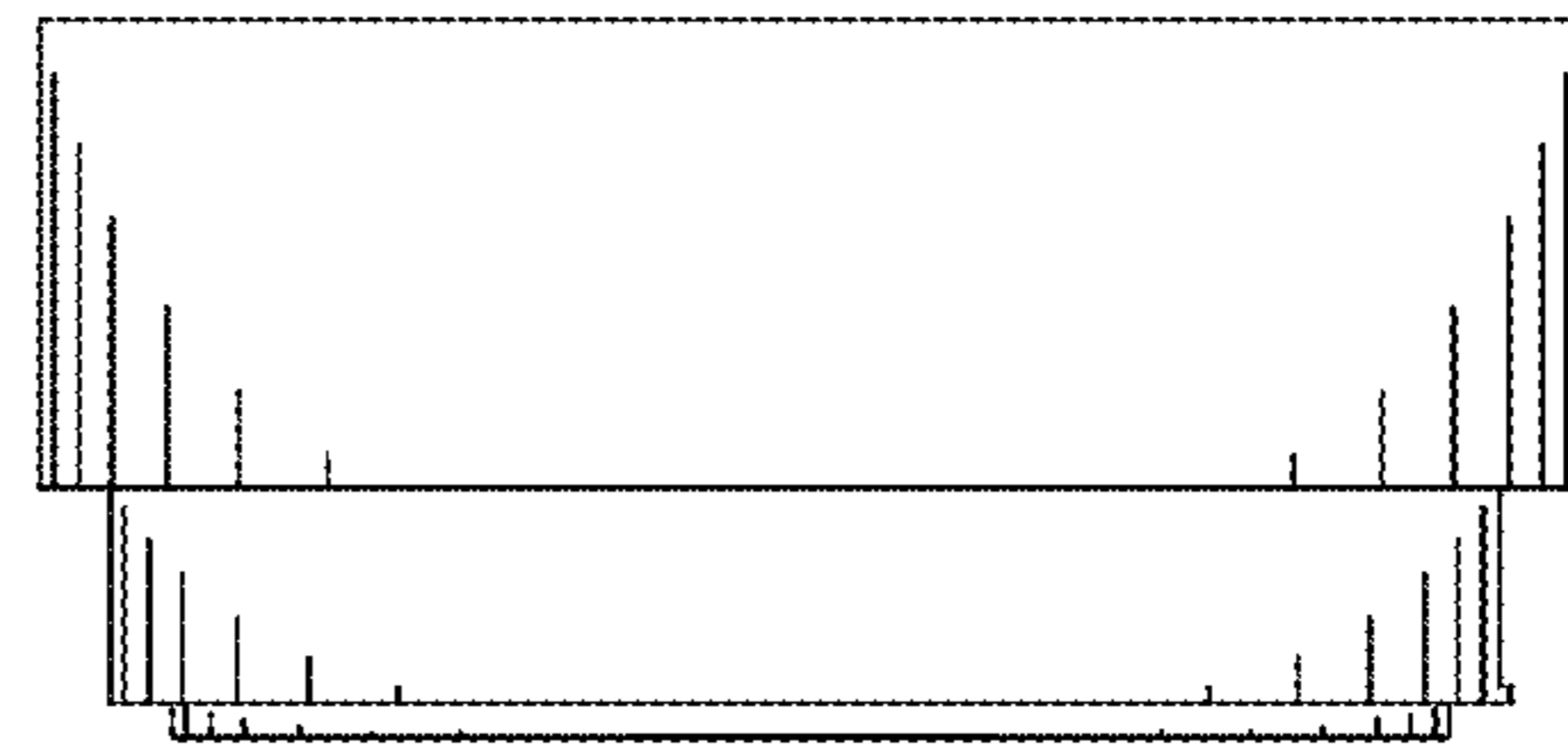


FIG. 5

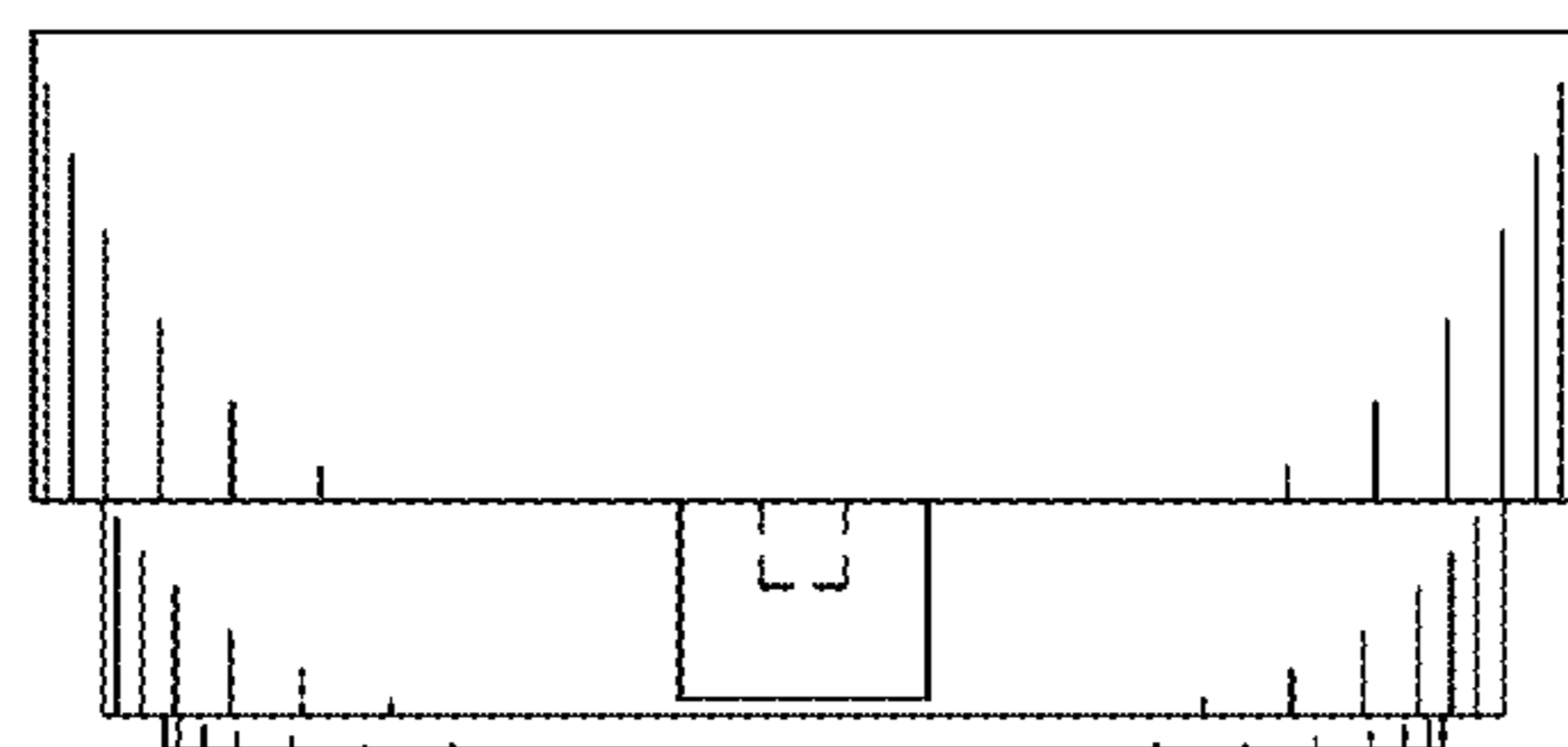


FIG. 6

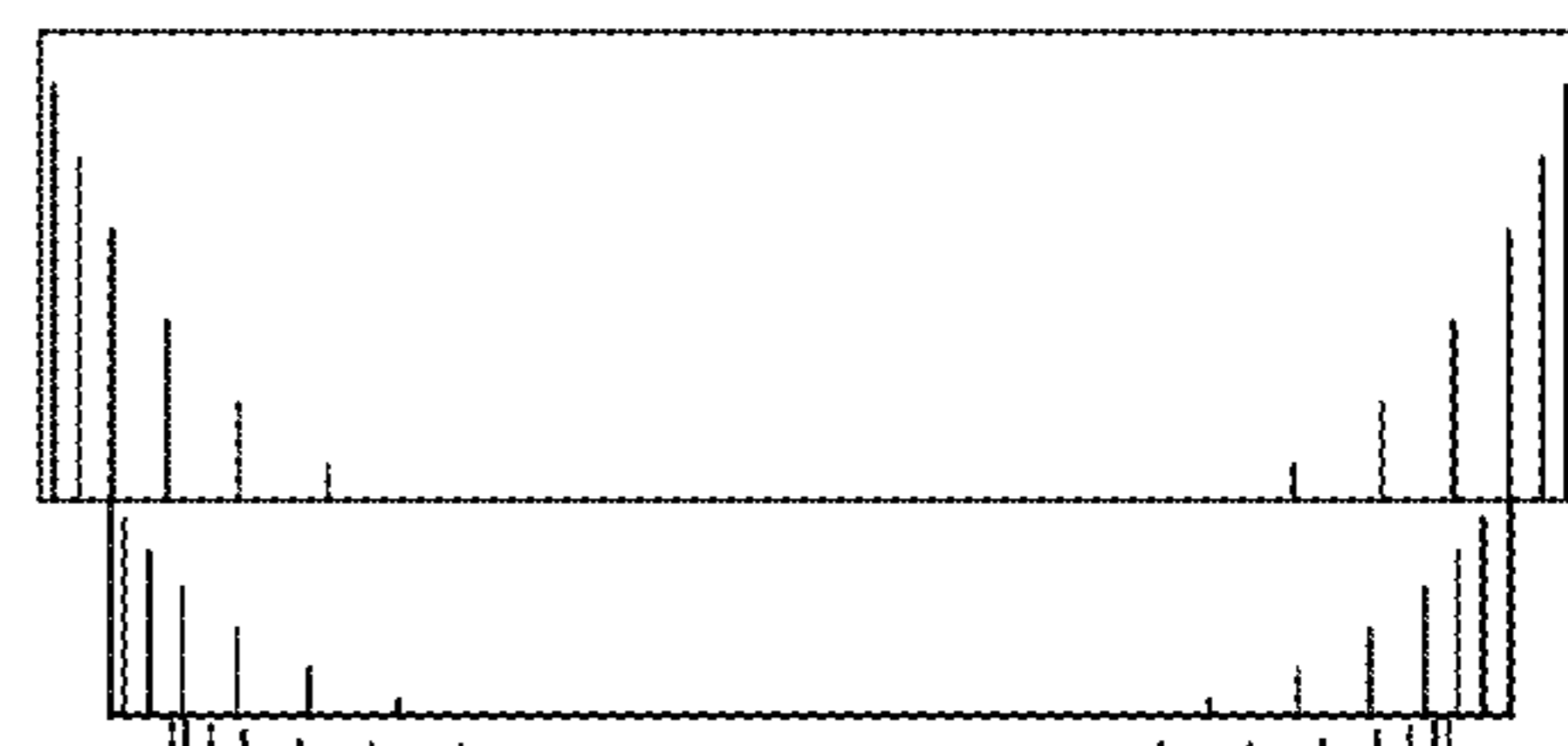


FIG. 7