



US00D688584S

(12) **United States Design Patent**
Cobbett et al.

(10) **Patent No.:** **US D688,584 S**

(45) **Date of Patent:** **** Aug. 27, 2013**

(54) **WRISTBAND WITH COLOR ILLUMINATED MEMBERS**

(71) Applicant: **NIKE, Inc.**, Beaverton, OR (US)

(72) Inventors: **Jamian R. Cobbett**, Portland, OR (US);
Michel Alvarez, Miami Beach, FL (US);
Kyle Schepke, Portland, OR (US);
William D. Webb, San Francisco, CA (US);
Chris Harsacky, San Francisco, CA (US);
Kyle Swen, Portland, OR (US)

(73) Assignee: **NIKE, Inc.**, Beaverton, OR (US)

(**) Term: **14 Years**

(21) Appl. No.: **29/434,210**

(22) Filed: **Oct. 10, 2012**

(51) **LOC (9) Cl.** **11-01**

(52) **U.S. Cl.**
USPC **D11/3**

(58) **Field of Classification Search**
USPC D11/1-39, 86; 63/3, 3.1, 3.2, 5,
63/15.1-15.4, 15.45, 15.5, 15.6, 15.65, 15.7,
63/26-28; D10/30, 31, 32
See application file for complete search history.

(56) **References Cited**

U.S. PATENT DOCUMENTS

D262,527 S	1/1982	Goldberg
D263,869 S	4/1982	Sumiyasu
5,218,577 A	6/1993	Seager
D355,858 S	2/1995	Sugita
5,418,760 A	5/1995	Kawashima et al.
D460,430 S	7/2002	Wada
D466,487 S	12/2002	Wada
D466,488 S	12/2002	Wada
D468,648 S	1/2003	Starck
6,775,205 B1	8/2004	Sporn
D495,611 S	9/2004	Jorgensen

D511,309 S	11/2005	Hardy
D533,085 S	12/2006	Mourgue
D539,670 S	4/2007	Behling
D543,192 S	5/2007	Jung
D545,232 S	6/2007	Waldman
D548,128 S	8/2007	Andren
D549,221 S	8/2007	Yagi
D550,112 S	9/2007	Andren
D553,536 S	10/2007	Andren
D554,004 S	10/2007	Kraft

(Continued)

OTHER PUBLICATIONS

The Retsu by Saishin, 1 color page included, disclosure date unknown but prior to filing date of the instant application.

(Continued)

Primary Examiner — Jennifer Rivard

Assistant Examiner — Melanie Pellegrini

(74) *Attorney, Agent, or Firm* — Banner & Witcoff, Ltd.

(57) **CLAIM**

The ornamental design for a wristband with color illuminated members, as shown and described.

DESCRIPTION

The patent or application file contains at least one drawing executed in color. Copies of this patent or patent application with color drawings(s) will be provided by the Office upon request and payment of the necessary fee.

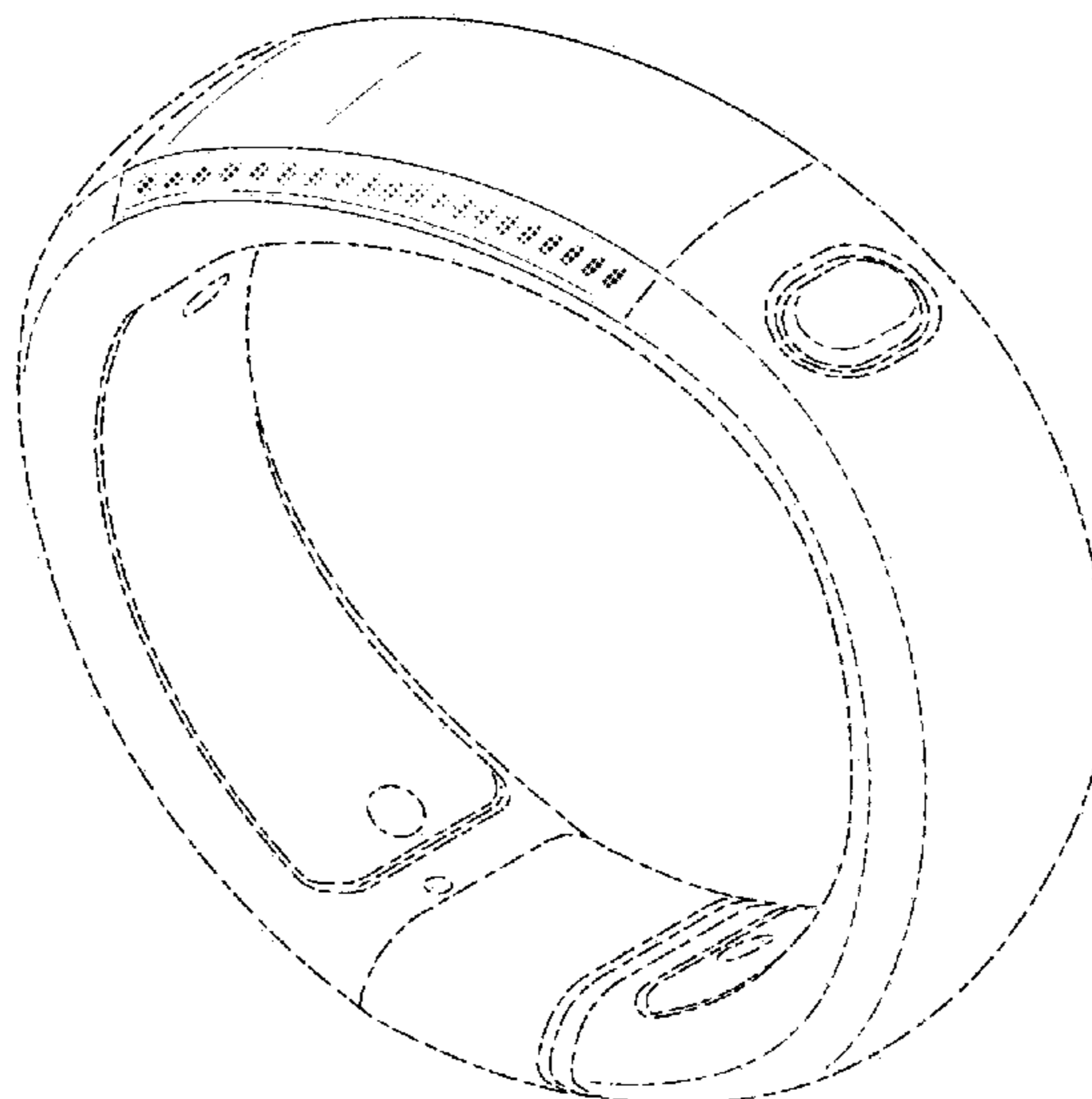
FIG. 1 is a front perspective view of a wristband with color illuminated members showing our new design;

FIG. 2 is a side view thereof; and,

FIG. 3 is a front view thereof.

The broken lines immediately adjacent to the shaded area represent unclaimed boundaries of the design. The broken lines showing the remainder of the wristband are for environmental purposes only and form no part of the claimed design.

1 Claim, 2 Drawing Sheets
(2 of 2 Drawing Sheet(s) Filed in Color)



(56)

References Cited

U.S. PATENT DOCUMENTS

D556,194 S	11/2007	Rambosek	
D558,198 S	12/2007	Blankenship	
D560,134 S	1/2008	Chen	
D562,175 S	2/2008	Miller	
D564,367 S	3/2008	Molyneux	
D565,427 S *	4/2008	Ellner et al. D10/31
D567,227 S	4/2008	Hada	
D567,676 S	4/2008	Tang	
D568,768 S	5/2008	Tang	
D571,684 S	6/2008	Kim	
D576,501 S	9/2008	Tang	
D576,908 S	9/2008	Gruenke	
D580,277 S	11/2008	Brady	
D583,815 S	12/2008	Giovannoni	
D589,374 S	3/2009	Tang	
D600,570 S	9/2009	Zinder	
D600,571 S	9/2009	Singer	
D604,654 S	11/2009	Calvani	
D606,423 S	12/2009	Mille	
D608,236 S	1/2010	Akdemir	
D611,357 S	3/2010	Giroud	

D621,726 S	8/2010	Lattman	
D626,435 S	11/2010	Tanaka	
D633,399 S	3/2011	Zinder	
D638,723 S	5/2011	Ong	
D640,367 S	6/2011	Lin	
D643,428 S	8/2011	Jankey et al.	
8,028,413 B2	10/2011	Miller	
D651,535 S	1/2012	Rodarmel	
D656,427 S	3/2012	Depauw et al.	
D659,580 S	5/2012	Veit	
D664,880 S	8/2012	Cobbett	
D664,881 S	8/2012	Cobbett	
D664,882 S	8/2012	Cobbett	
D669,382 S *	10/2012	Alvarez et al. D11/3
D669,383 S *	10/2012	Cobbett et al. D11/3
D669,384 S *	10/2012	Alvarez et al. D11/3
D671,858 S *	12/2012	Cobbett et al. D11/3
2008/0236195 A1	10/2008	Woebke	

OTHER PUBLICATIONS

Various LED watches, 32 color pages included, disclosure date unknown but prior to filing date of the instant application.

* cited by examiner

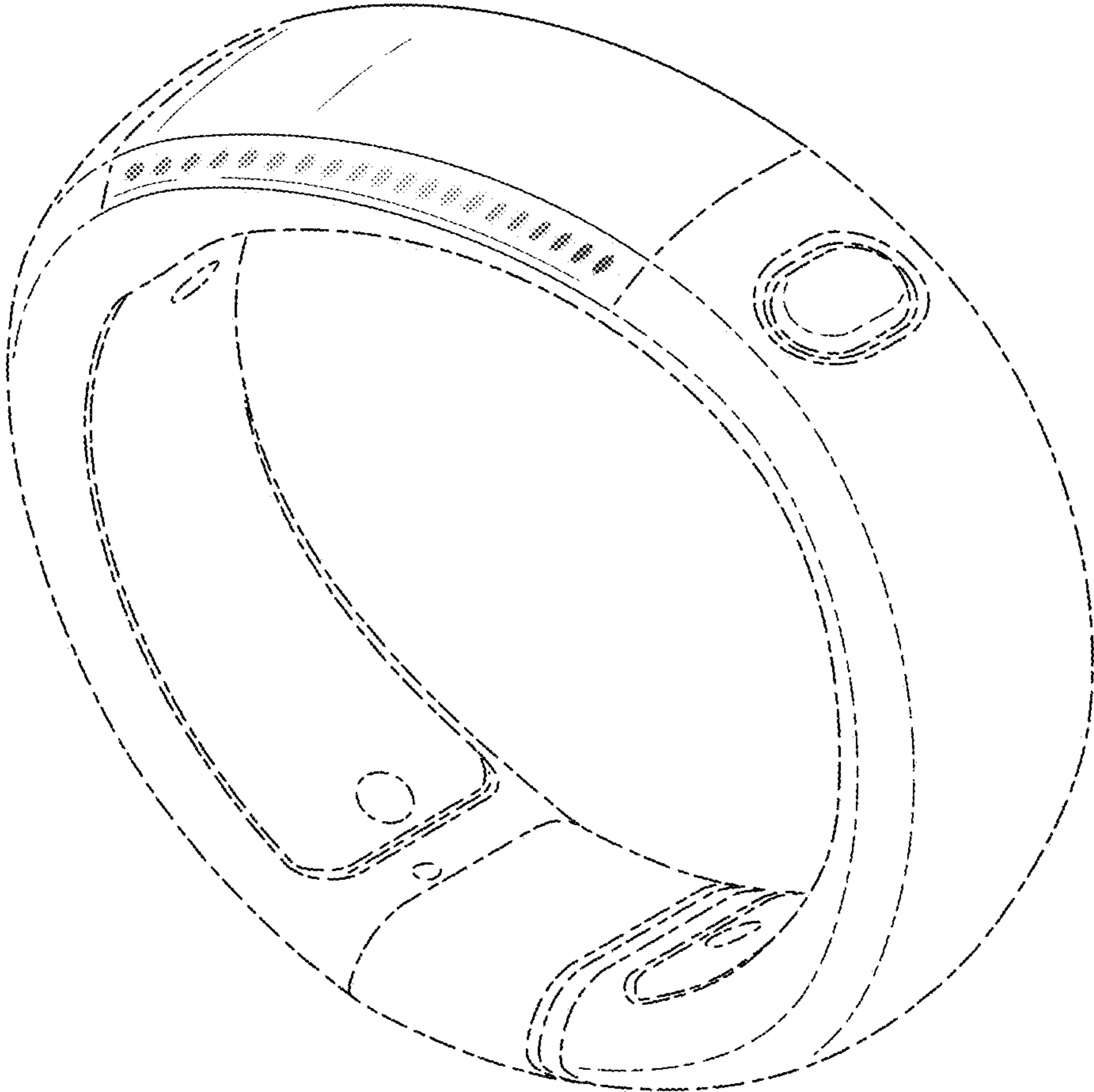


FIG. 1

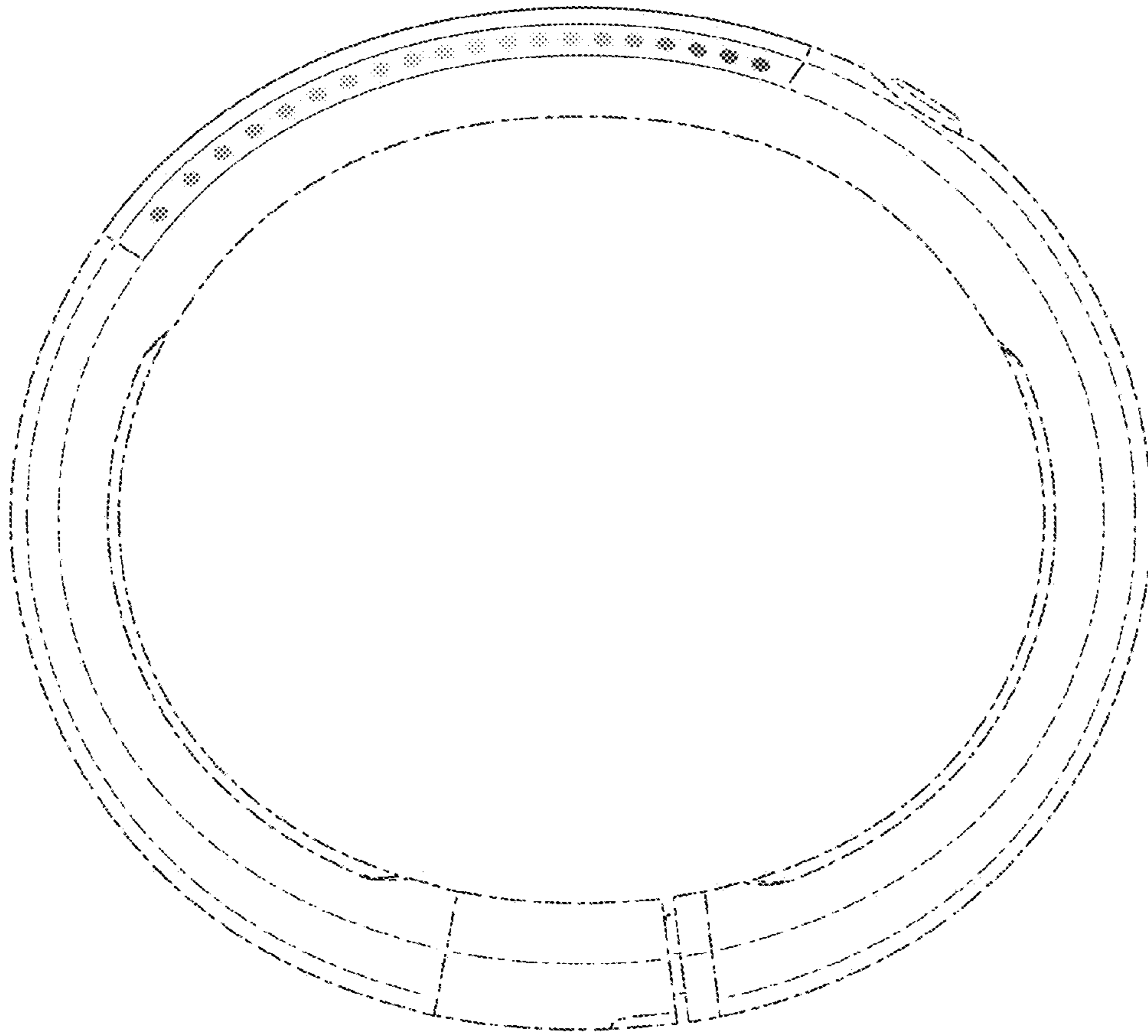


FIG. 2

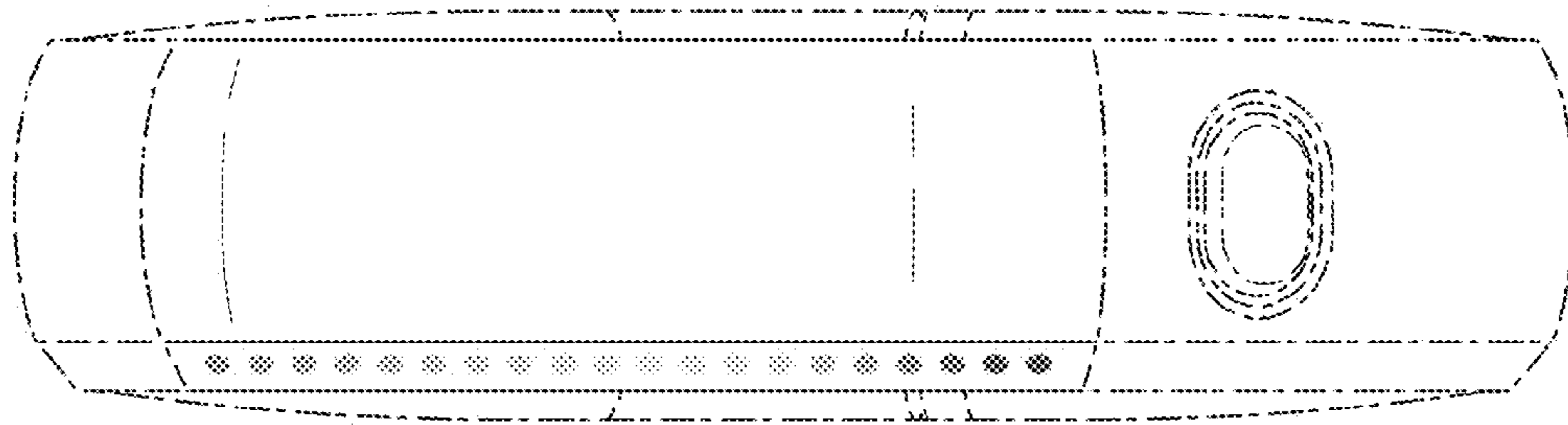


FIG. 3