



US00D688582S

(12) **United States Design Patent**  
**Wilson**

(10) **Patent No.:** **US D688,582 S**

(45) **Date of Patent:** **\*\* Aug. 27, 2013**

(54) **WATCH HOLDER**

(75) Inventor: **Scott H. Wilson**, Chicago, IL (US)

(73) Assignee: **Wimo Labs, LLC**, Chicago, IL (US)

(\*\*) Term: **14 Years**

(21) Appl. No.: **29/382,625**

(22) Filed: **Jan. 5, 2011**

(51) **LOC (9) Cl.** ..... **10-07**

(52) **U.S. Cl.**  
USPC ..... **D10/128**

(58) **Field of Classification Search**  
USPC ..... D10/32, 38, 39, 128, 30, 31, 132;  
D11/3; 224/164, 170, 175; 368/276, 277,  
368/281, 282, 287, 216  
See application file for complete search history.

(56) **References Cited**

**U.S. PATENT DOCUMENTS**

1,205,217	A *	11/1916	Kaufman	.....	224/170
1,219,449	A *	3/1917	Fitch	.....	224/170
2,136,625	A *	11/1938	Lasko	.....	368/316
2,421,253	A *	5/1947	Fleischner	.....	368/281
D157,606	S *	3/1950	Lachman	.....	D10/38
4,236,239	A *	11/1980	Imgruth et al.	.....	368/72
D341,092	S *	11/1993	Wild	.....	D10/32
D423,374	S *	4/2000	Deleskiewicz	.....	D10/32
D440,886	S *	4/2001	Burgener	.....	D10/32
D484,814	S *	1/2004	Sugiura	.....	D10/32
D507,975	S *	8/2005	Dreyfuss	.....	D10/32
D558,607	S *	1/2008	Harris	.....	D10/32
D564,367	S *	3/2008	Molyneux	.....	D10/31
D565,970	S *	4/2008	Ratajski et al.	.....	D10/39
D588,023	S *	3/2009	Lassigne	.....	D10/38
D589,375	S *	3/2009	Tang	.....	D10/32
D637,918	S *	5/2011	Cobbett et al.	.....	D10/31
D638,324	S *	5/2011	Tang	.....	D10/128
7,946,758	B2 *	5/2011	Mooring	.....	368/276

D650,706	S *	12/2011	Zanella et al.	.....	D10/32
D657,262	S *	4/2012	Pulli	.....	D10/38
D666,924	S *	9/2012	Ahlstrom	.....	D10/32
D672,255	S *	12/2012	Zanella et al.	.....	D10/32
D672,265	S *	12/2012	Pulli	.....	D10/128
D673,477	S *	1/2013	Szellos	.....	D10/128
8,345,412	B2 *	1/2013	Maravilla et al.	.....	361/679.03
2012/0073093	A1 *	3/2012	Szellos	.....	24/594.1

**FOREIGN PATENT DOCUMENTS**

JP 2001218608 A \* 8/2001

\* cited by examiner

*Primary Examiner* — Lucy Lieberman

(74) *Attorney, Agent, or Firm* — Michael R. Turner; Neal, Gerber & Eisneberg LLP

(57) **CLAIM**

The ornamental design for a watch holder, as shown and described.

**DESCRIPTION**

FIG. 1 is a perspective view of a watch holder showing my new design;

FIG. 2 is a side elevational view of one side of the watch holder shown in FIG. 1;

FIG. 3 is a side elevational view of the other side of the watch holder shown in FIG. 1;

FIG. 4 is a top plan view of the watch holder shown in FIG. 1;

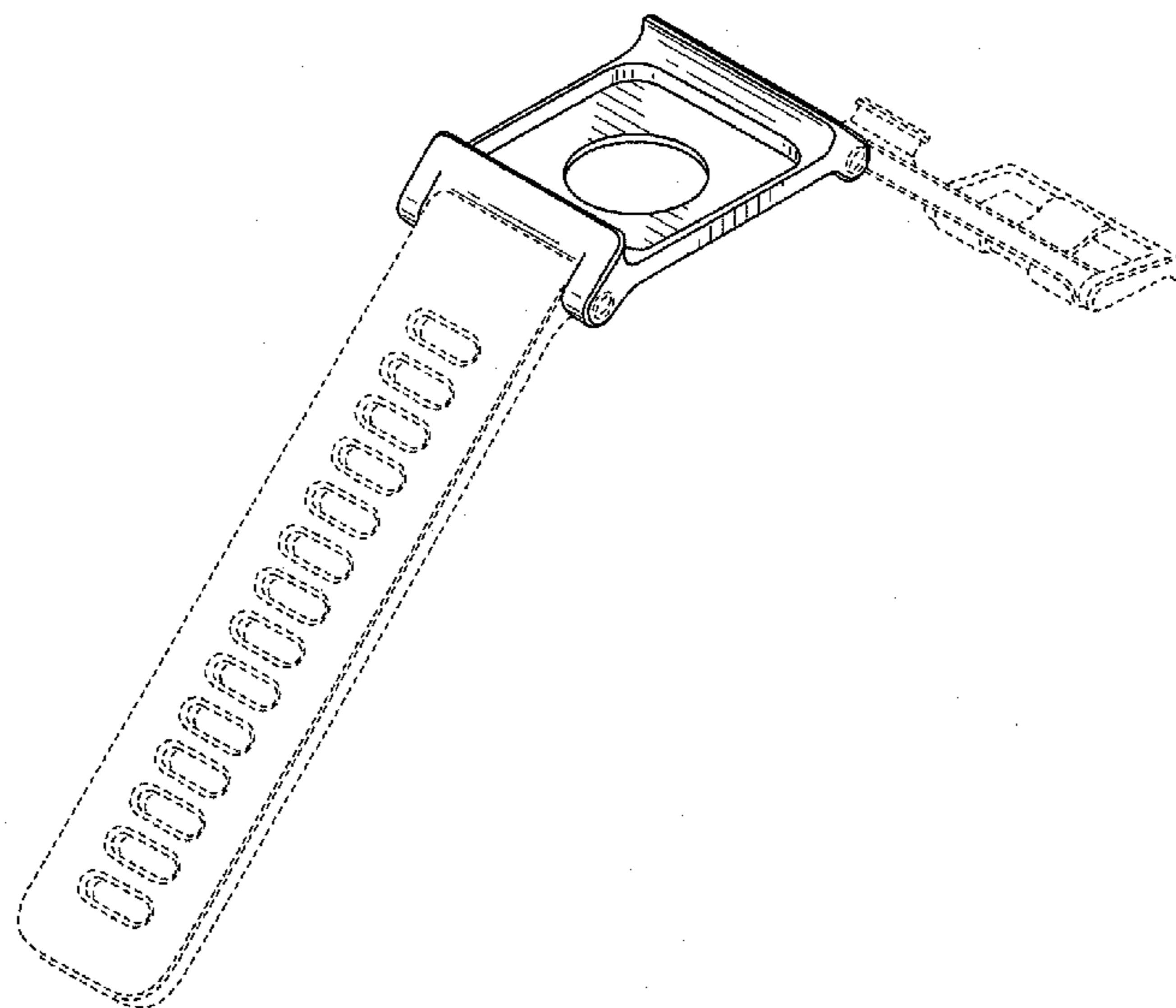
FIG. 5 is a bottom plan view of the watch holder shown in FIG. 1;

FIG. 6 is a front elevational view of the watch holder shown in FIG. 1; and,

FIG. 7 is a rear elevational view of the watch holder shown in FIG. 1.

The broken lines in the drawings are used to show an unclaimed watch band and unclaimed portions of the watch holder.

**1 Claim, 7 Drawing Sheets**



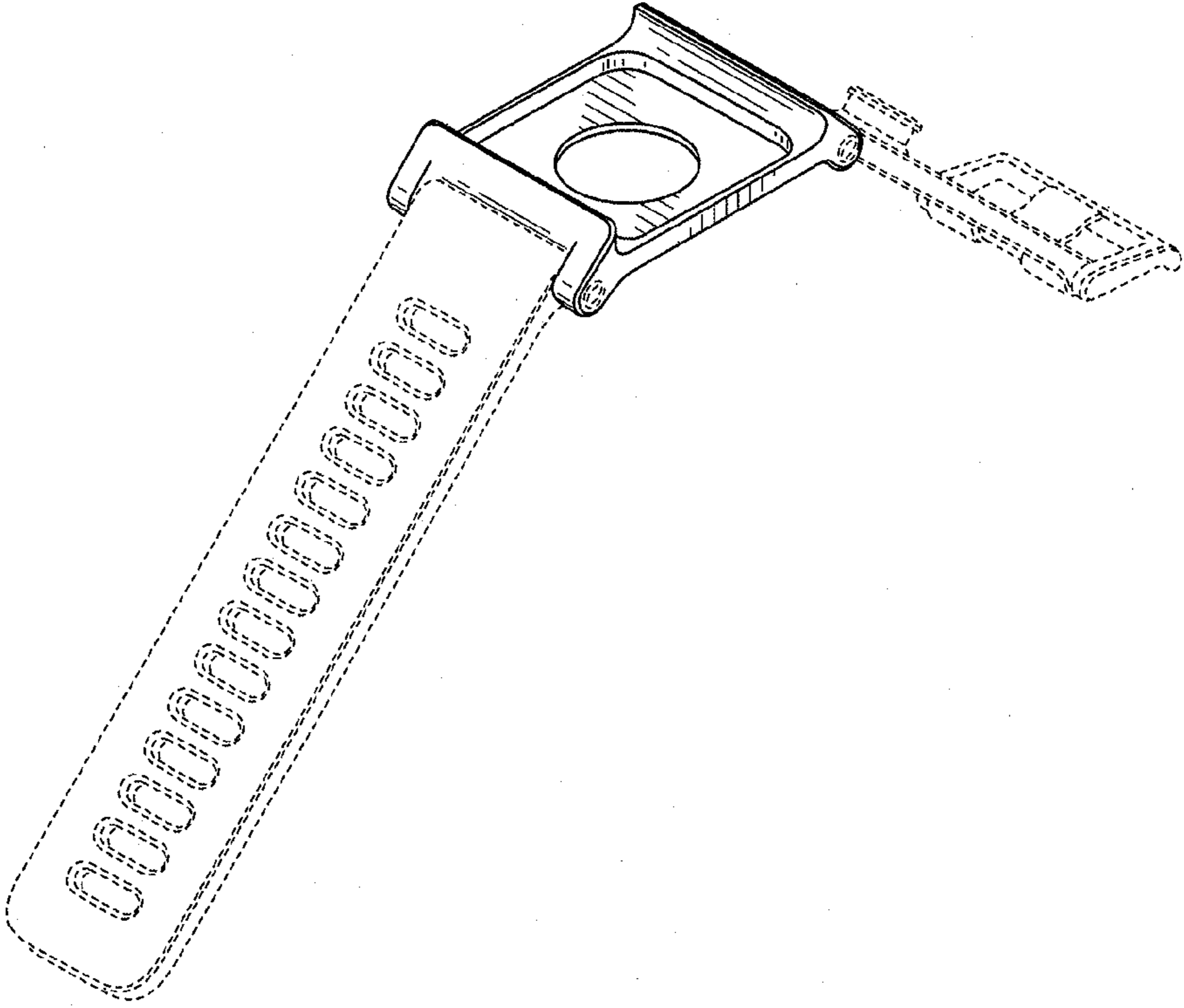


FIG. 1

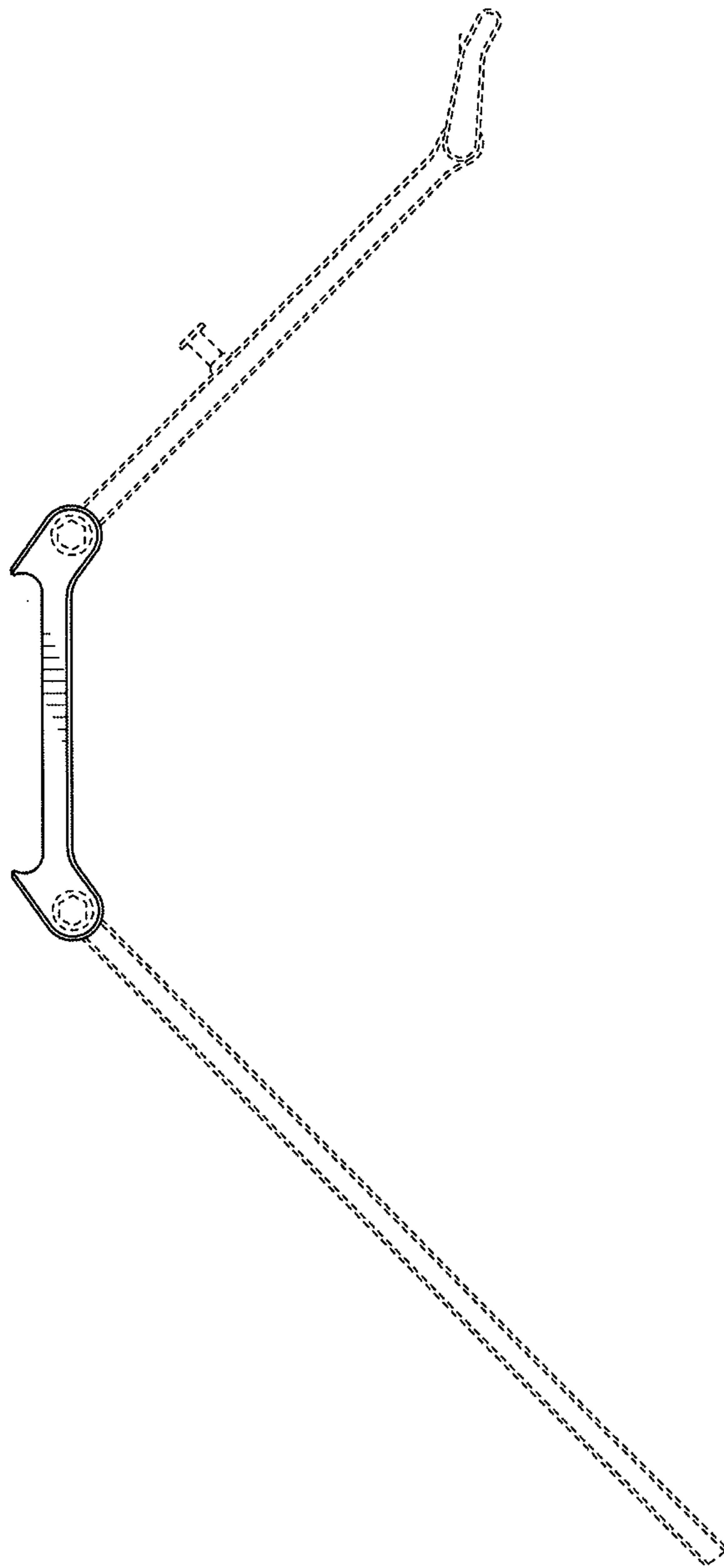


FIG. 2

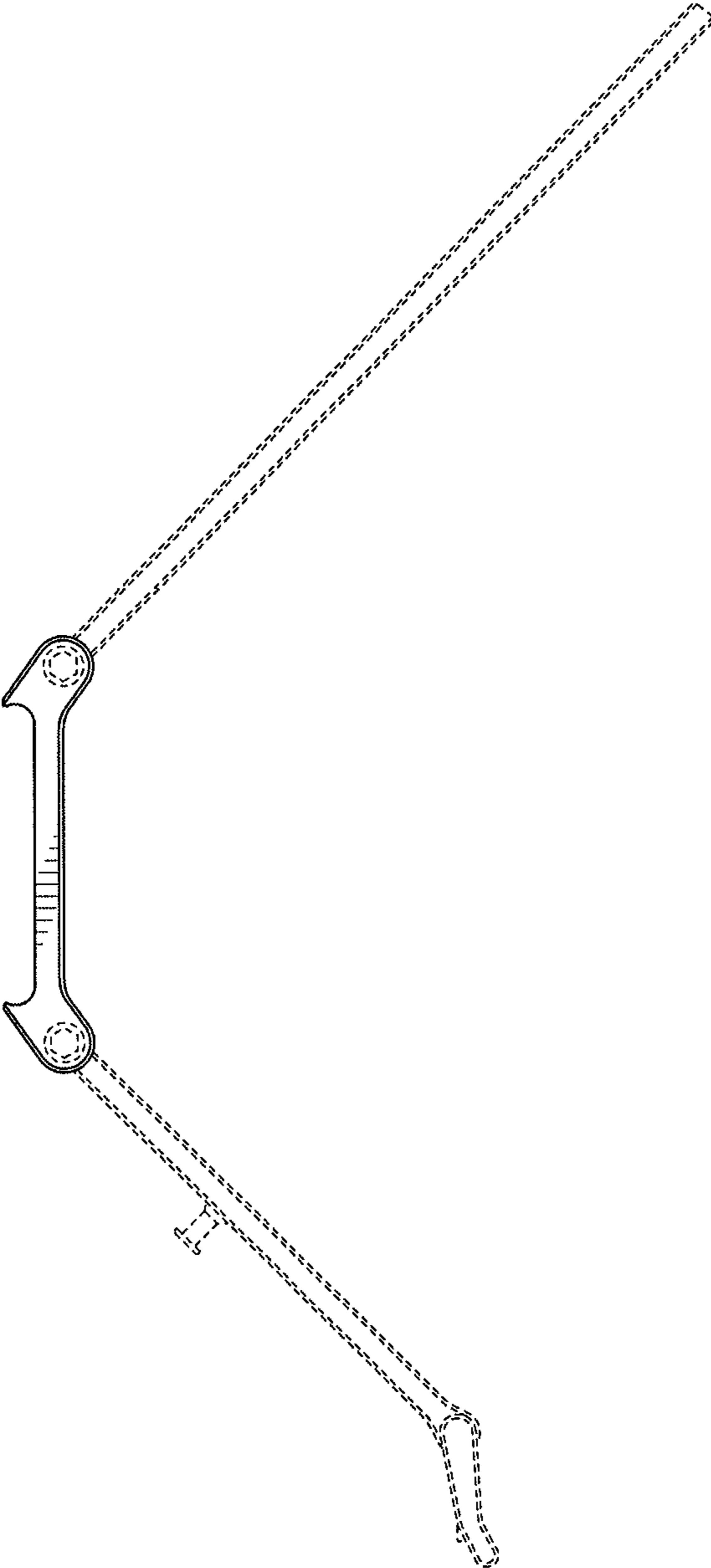


FIG. 3

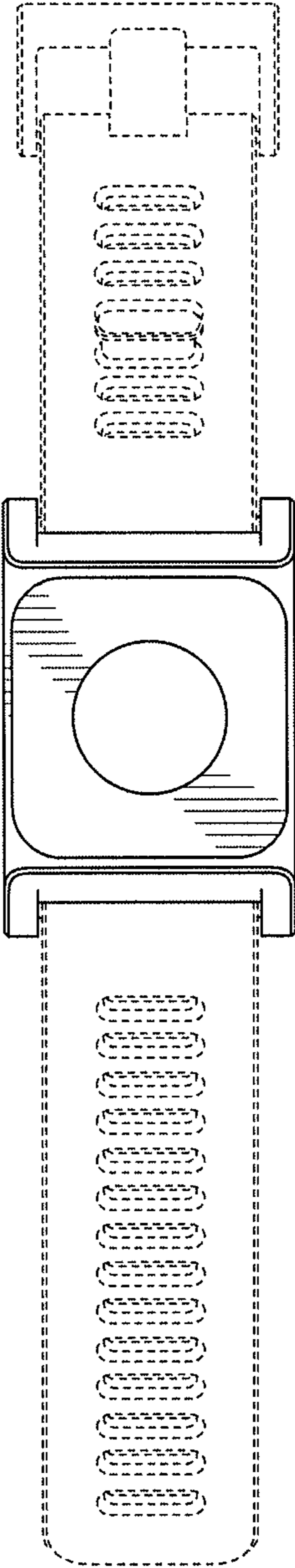


FIG. 4

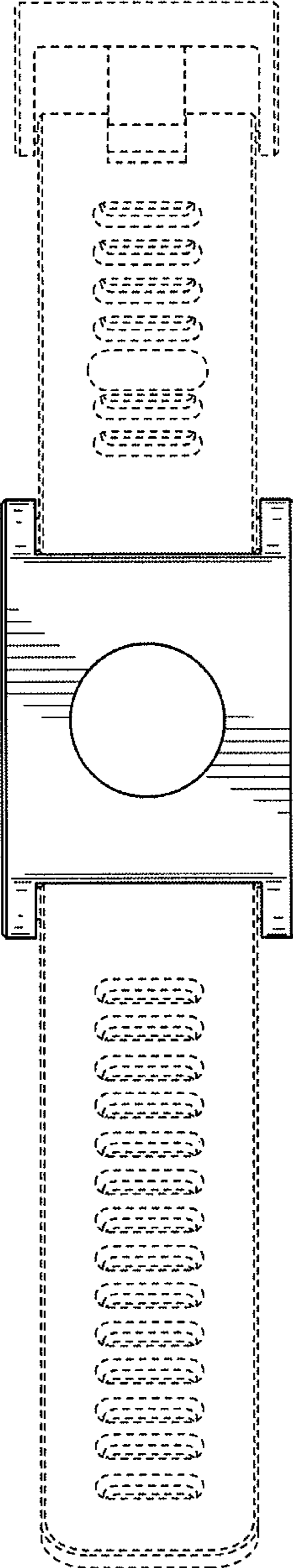


FIG. 5

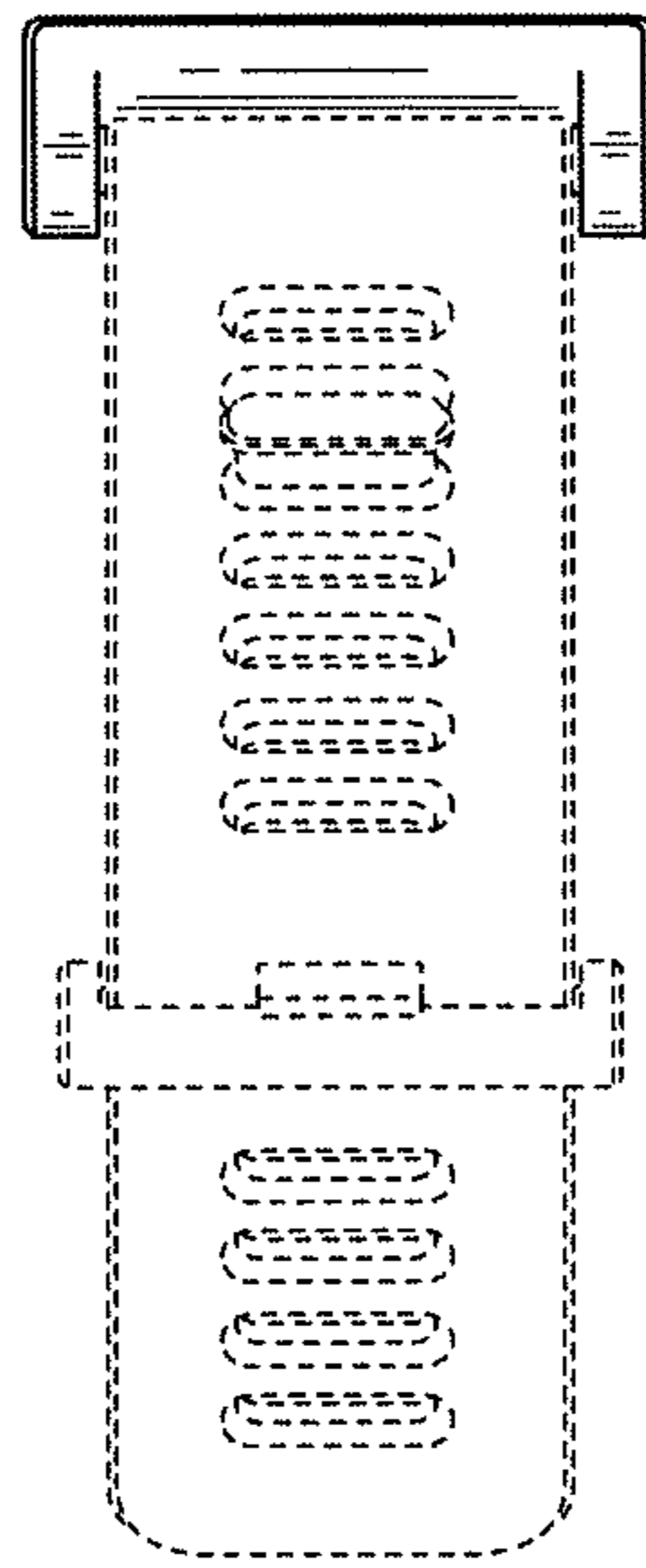


FIG. 6

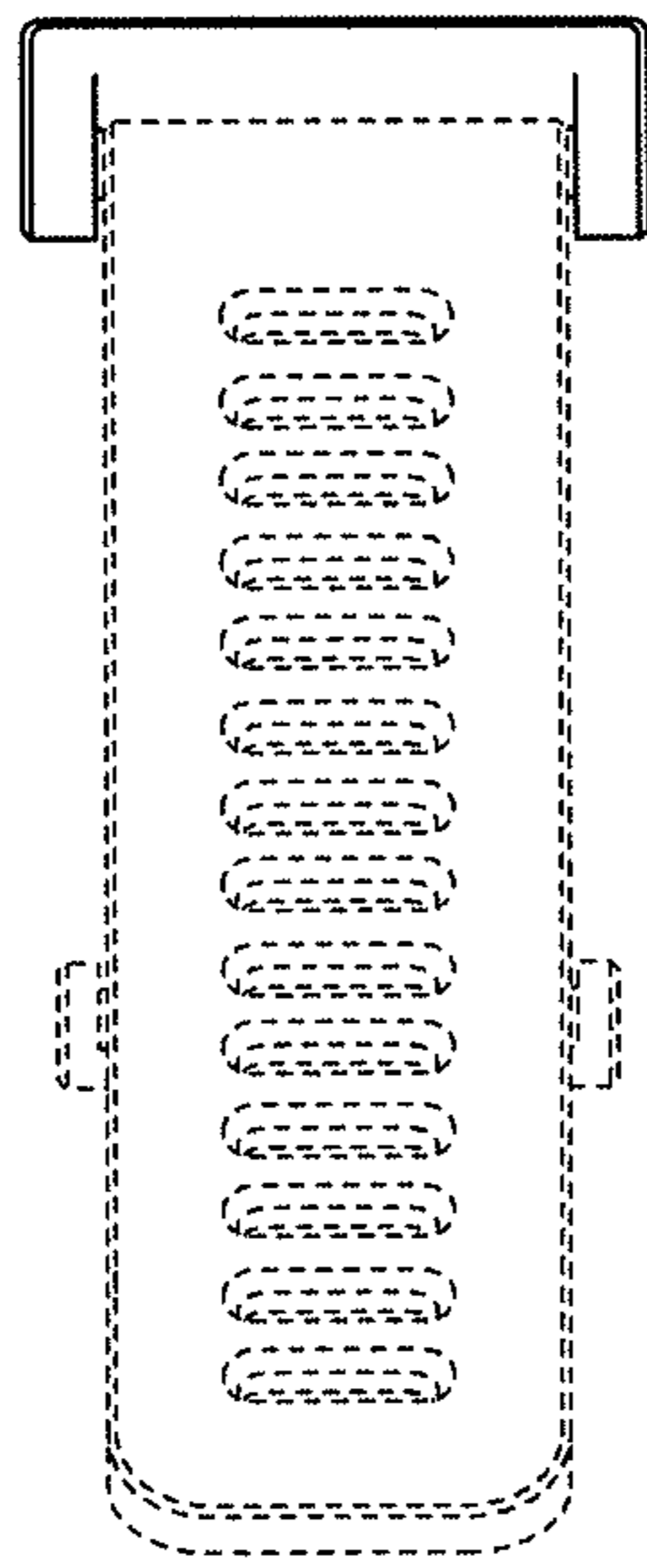


FIG. 7