



US00D688579S

(12) **United States Design Patent**
Marshall

(10) **Patent No.:** **US D688,579 S**

(45) **Date of Patent:** **** Aug. 27, 2013**

(54) **POOL SCOOP**

2008/0017540 A1* 1/2008 Sawhney et al. 206/514

* cited by examiner

(71) Applicant: **Mike C. Marshall**, Fallbrook, CA (US)

Primary Examiner — Terry Wallace

(74) *Attorney, Agent, or Firm* — Joshua Schoonover

(72) Inventor: **Mike C. Marshall**, Fallbrook, CA (US)

(57) **CLAIM**

I claim the ornamental design for a pool scoop, as shown and described.

(73) Assignee: **Pool Man Products, Inc.**

DESCRIPTION

(**) Term: **14 Years**

(21) Appl. No.: **29/445,473**

(22) Filed: **Feb. 12, 2013**

(51) **LOC (9) Cl.** **10-04**

(52) **U.S. Cl.**
USPC **D10/81; D10/46.2**

(58) **Field of Classification Search**
USPC D7/691, 533, 318; D10/81, 46.2,
D10/46.3; 73/426–429

See application file for complete search history.

FIG. 1 is a top perspective view of the pool scoop showing a top, rear, and right side thereof; FIG. 2 is front view of the pool scoop; FIG. 3 is a rear view of the pool scoop; FIG. 4 is a left side of the pool scoop; FIG. 5 is a right side of the pool scoop; FIG. 6 is a top view of the pool scoop; and, FIG. 7 is a bottom view of the pool scoop.

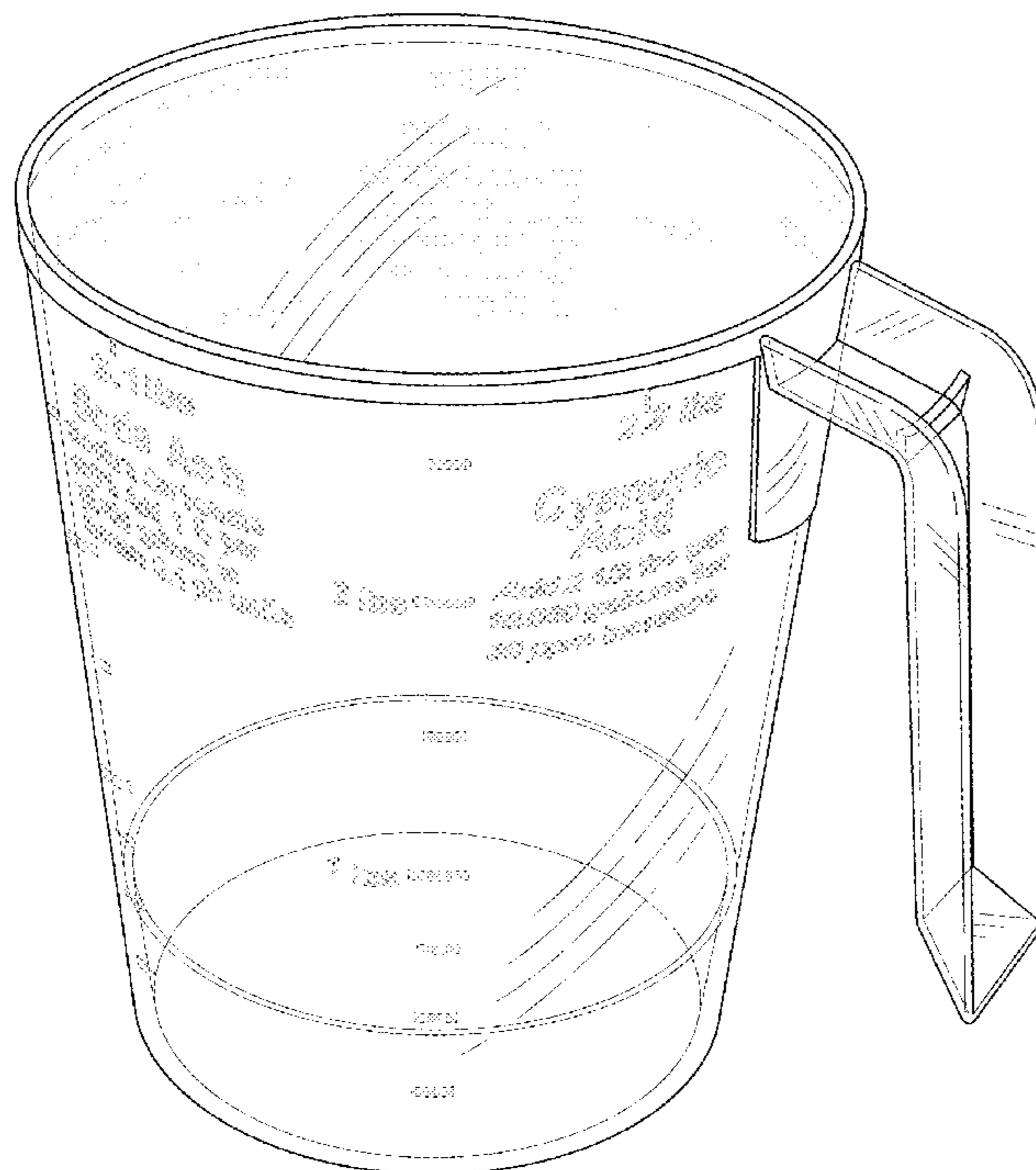
To the ordinary observer, the pool scoop comprises a translucent receptacle body portion and a handle extending therefrom. The receptacle body portion has a base with a first circumference and a cylindrical wall extending vertically from the base to a rim. The rim has a second circumference that is larger than the first circumference. The wall is ornamented with three-dimensional, or raised, text and graduations for correlating volume and weight of various chemicals as illustrated. The surface is also ornamented with a logo and web address.

(56) **References Cited**

U.S. PATENT DOCUMENTS

6,769,302	B1 *	8/2004	King et al.	73/427
D562,160	S *	2/2008	Cohen	D10/46.2
7,753,206	B2 *	7/2010	Sawhney et al.	73/426
D641,266	S *	7/2011	Tamura et al.	D10/46.2
2002/0029635	A1 *	3/2002	Kremen	73/426

1 Claim, 7 Drawing Sheets



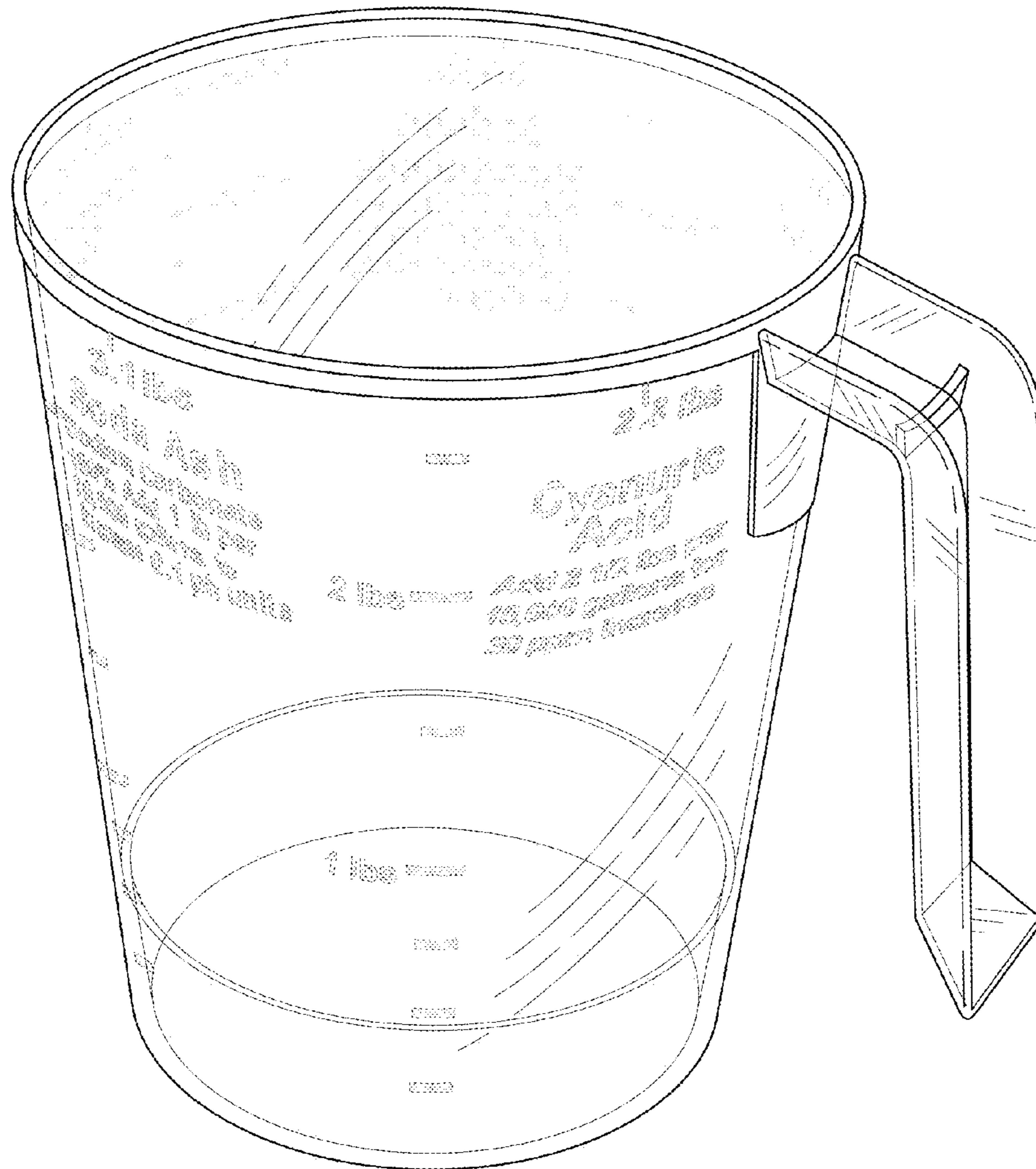


Figure 1

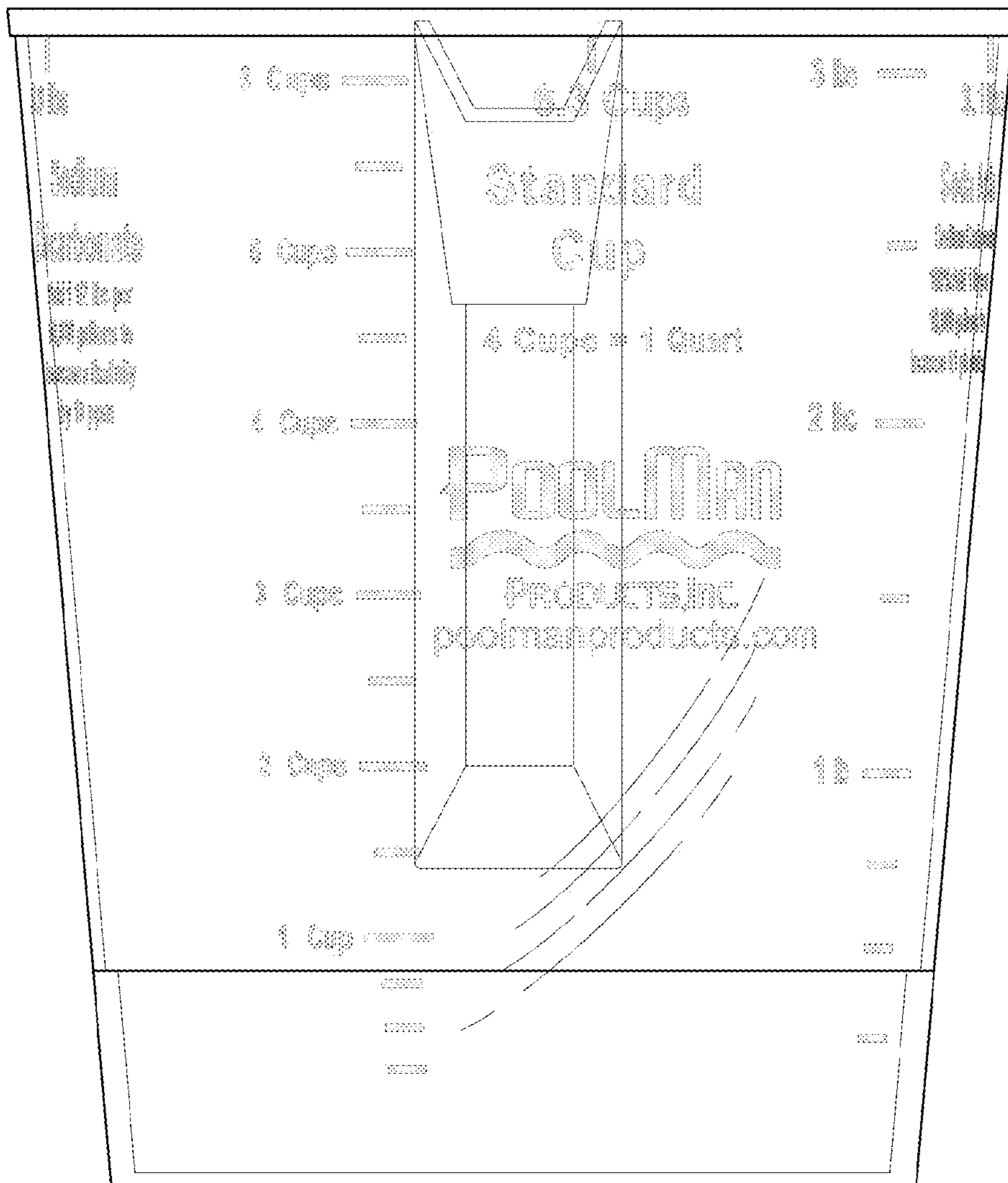


Figure 2

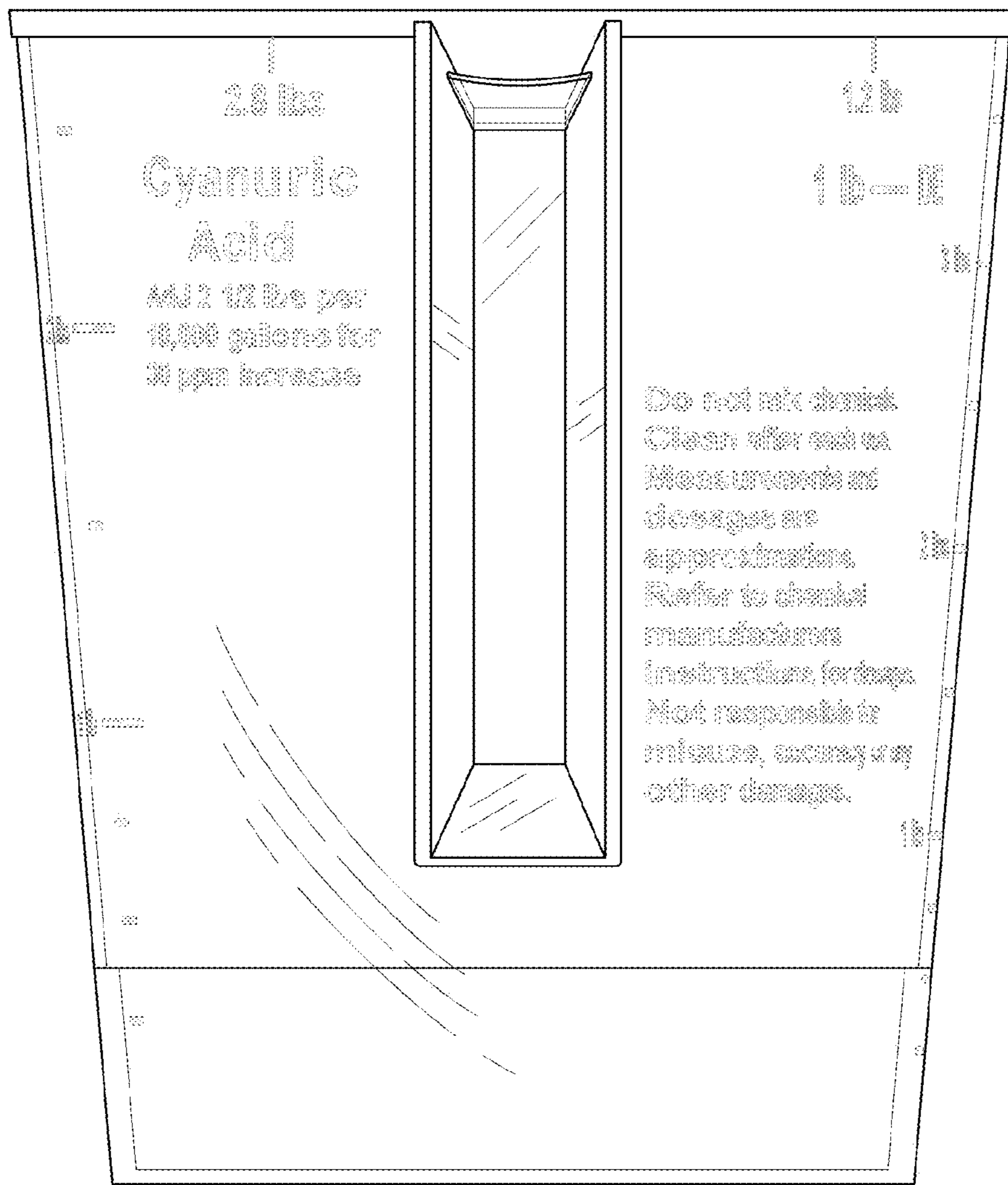


Figure 3

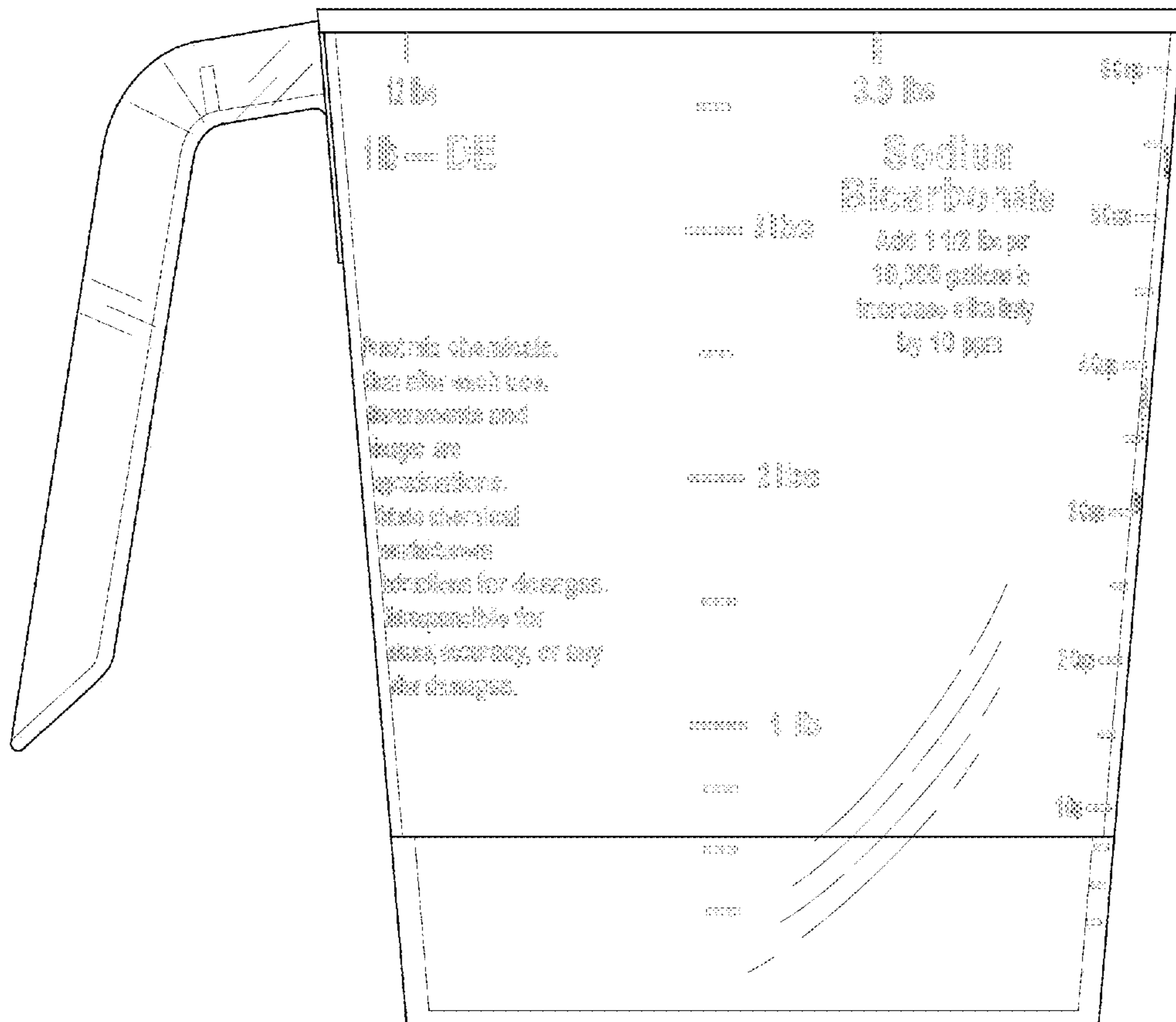


Figure 4

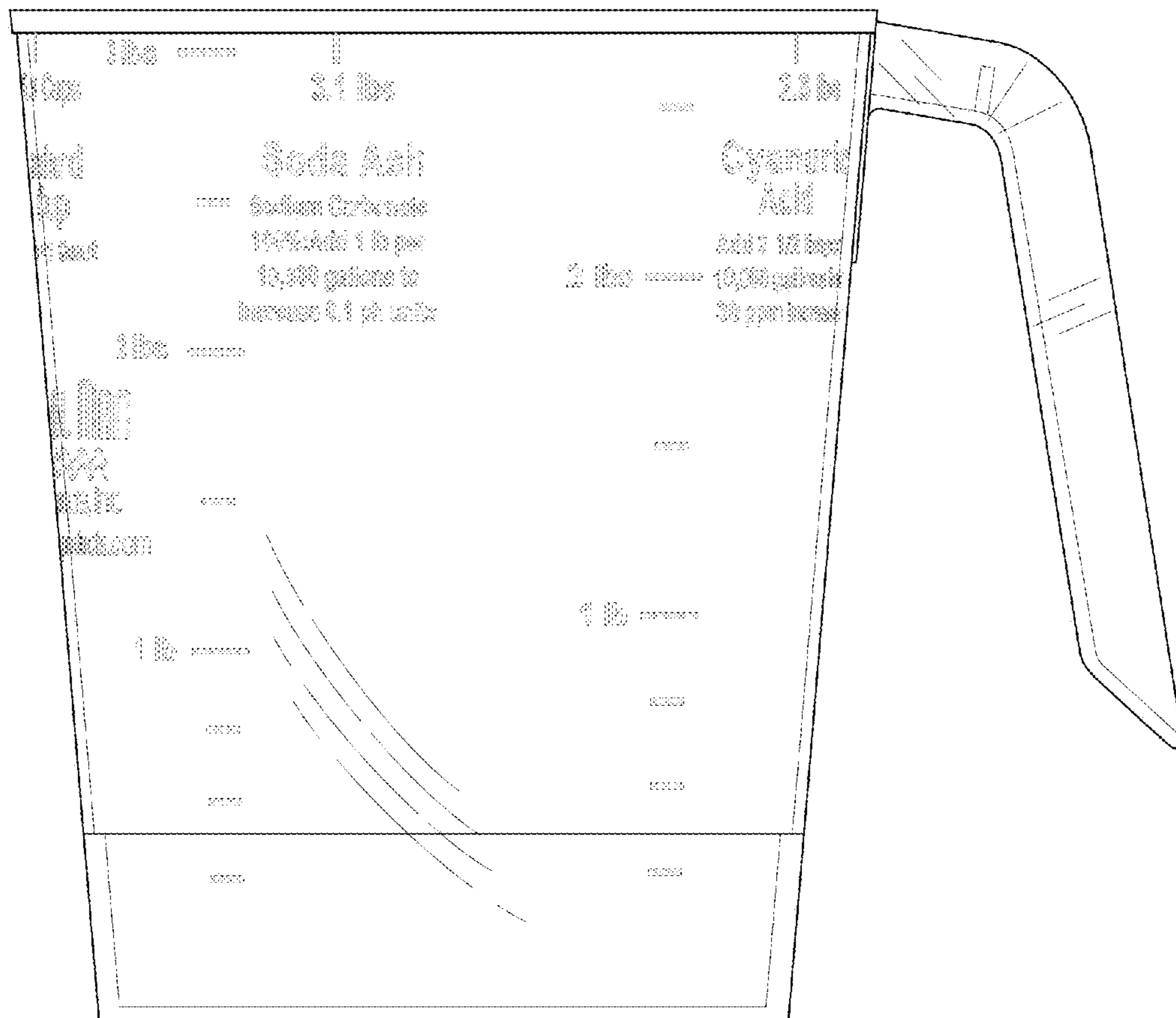


Figure 5

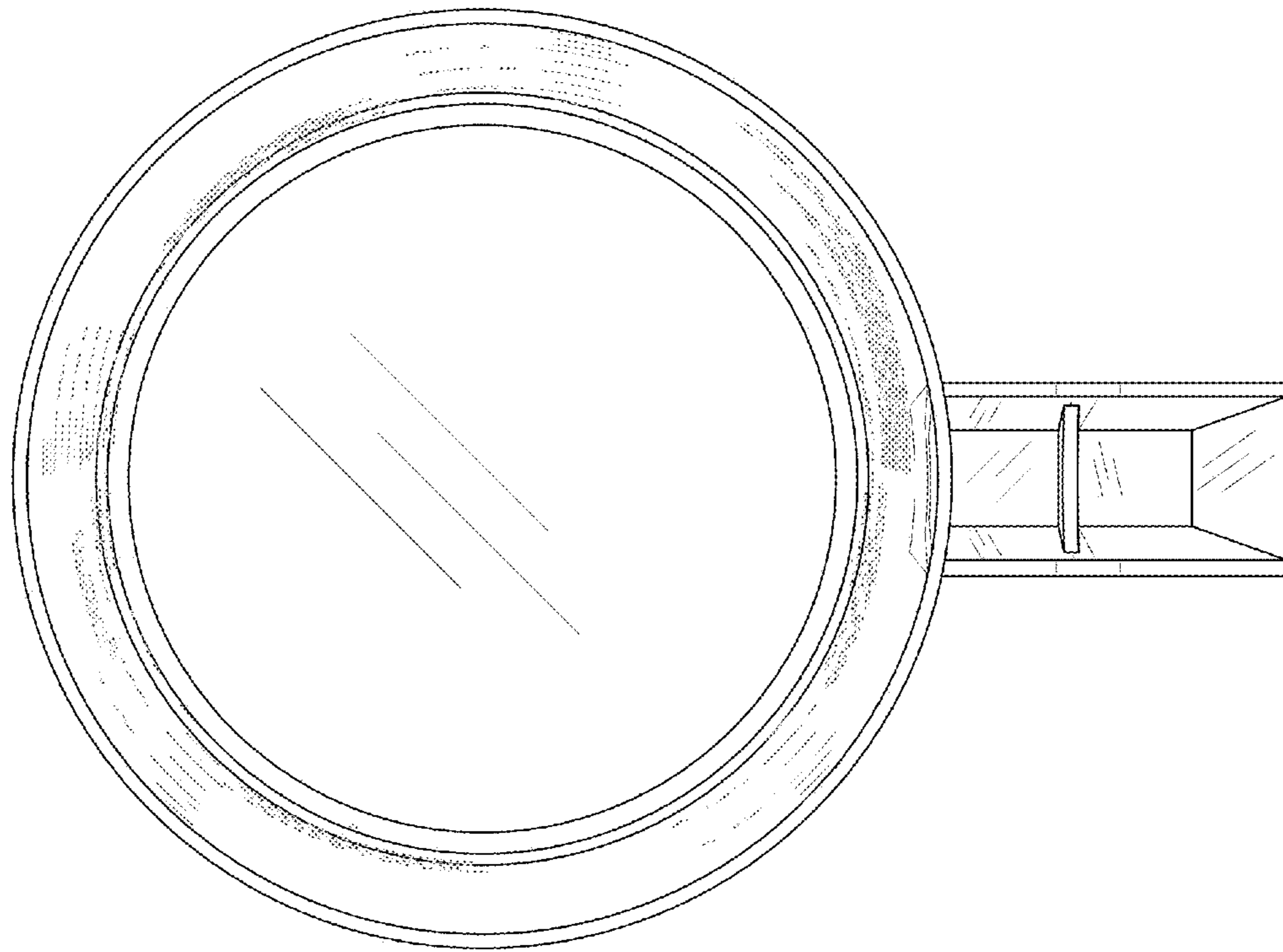


Figure 6

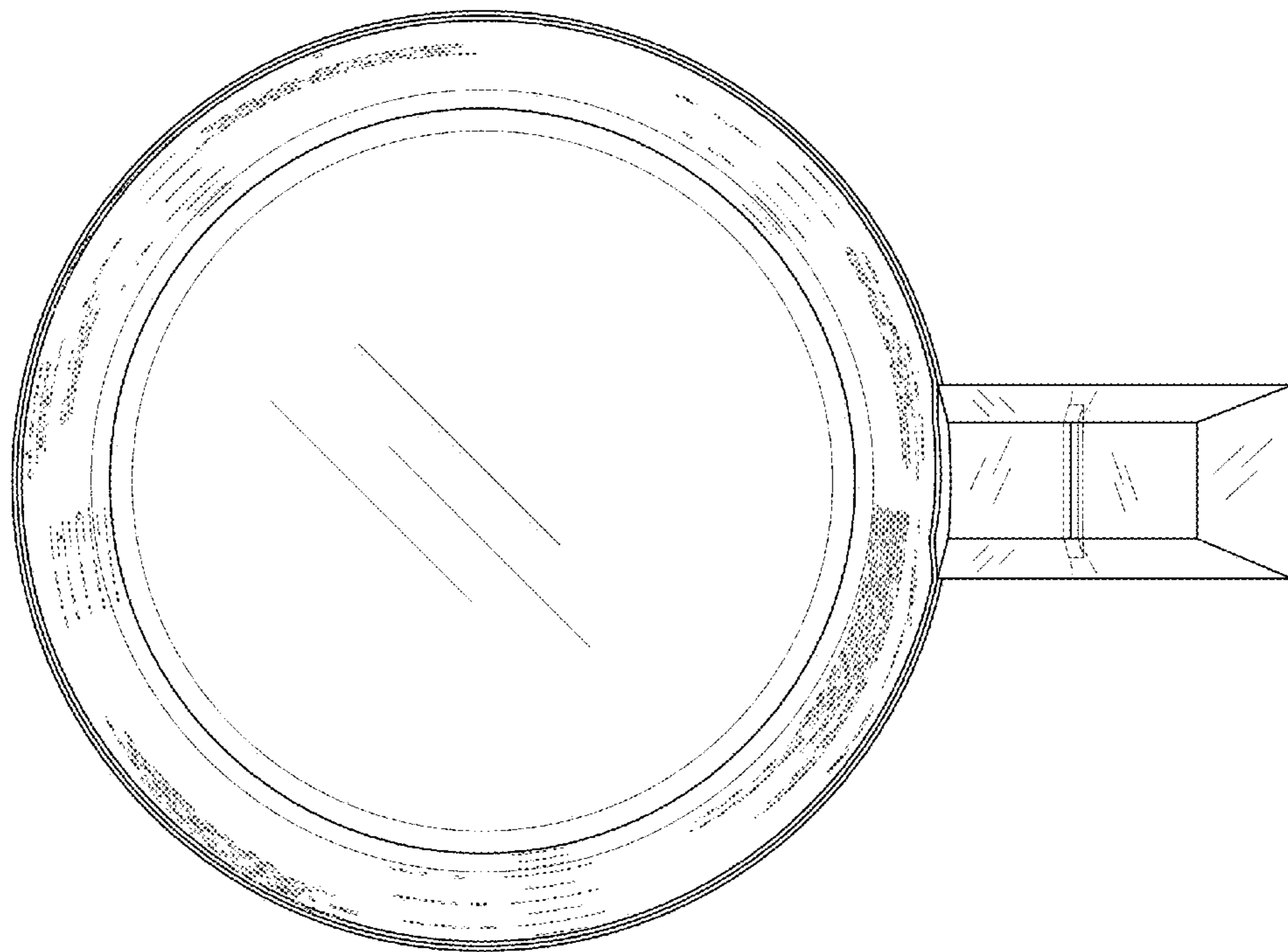


Figure 7