



US00D688578S

(12) **United States Design Patent**
Asher et al.

(10) **Patent No.:** **US D688,578 S**
(45) **Date of Patent:** **** Aug. 27, 2013**

(54) **ROTARY LASER UNIT AND REMOTE CONTROL DEVICE**

(71) Applicants: **Robert Bosch Tool Corporation**,
Broadview, IL (US); **Robert Bosch GmbH**, Stuttgart (DE)

(72) Inventors: **Timothy L. Asher**, West Lafayette, IN (US); **Jay R. Munroe**, Watska, IL (US)

(73) Assignee: **Robert Bosch GmbH**, Stuttgart (DE)

(**) Term: **14 Years**

(21) Appl. No.: **29/440,620**

(22) Filed: **Dec. 22, 2012**

(51) **LOC (9) Cl.** **10-04**

(52) **U.S. Cl.**
USPC **D10/66; D10/69; D10/70**

(58) **Field of Classification Search**
USPC D10/66, 69, 70; 33/276, 277, 281, 33/285, 286, 290, 291-299, DIG. 21; 340/539, 340/825.36, 825.46, 825.49; 356/5.15, 4.01, 356/5.01, 4.05, 5.05-5.09, 5.12, 28.5, 345, 356/375, 3.01, 128-155, 399-400; 385/83, 385/97-99, 134-139; 264/1.24-1.25
See application file for complete search history.

(56) **References Cited**

U.S. PATENT DOCUMENTS

D383,075 S * 9/1997 Sawaguchi et al. D10/66
D469,369 S * 1/2003 Durkin D10/69
D469,738 S * 2/2003 Ishii D13/101
D561,621 S * 2/2008 Ishii et al. D10/66

D564,922 S * 3/2008 Ishii D10/66
D587,149 S * 2/2009 Ishii et al. D10/69
D609,124 S * 2/2010 Ishii et al. D10/66
D612,753 S * 3/2010 Ishii et al. D10/66
D635,038 S * 3/2011 Ishii D10/66
D672,259 S * 12/2012 Sun et al. D10/66

* cited by examiner

Primary Examiner — Antoine D Davis

(74) *Attorney, Agent, or Firm* — Maginot, Moore & Beck

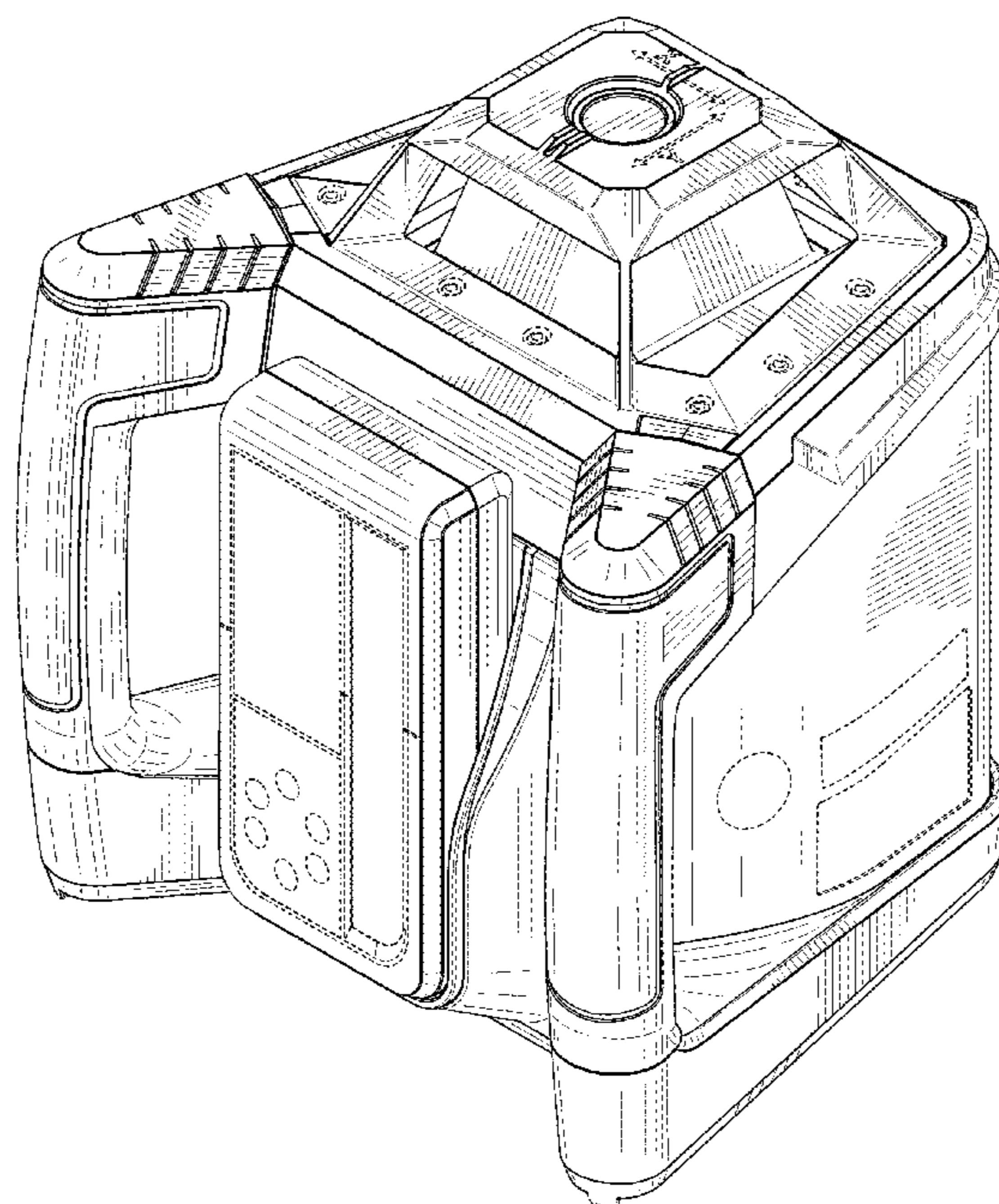
(57) **CLAIM**

The ornamental design for a rotary laser unit and remote control device, as shown and described.

DESCRIPTION

FIG. 1 is a perspective view of a rotary laser unit and remote control device showing our new design; FIG. 2 is a front elevational view showing the design for the rotary laser unit and remote control device of FIG. 1; FIG. 3 is a rear elevational view showing the design for the rotary laser unit and remote control device of FIG. 1; FIG. 4 is a left side elevational view showing the design for the rotary laser unit and remote control device of FIG. 1; FIG. 5 is a right side elevational view showing the design for the rotary laser unit and remote control device of FIG. 1; FIG. 6 is a top plan view showing the design for the rotary laser unit and remote control device of FIG. 1; and, FIG. 7 is a bottom plan view showing the design for the rotary laser unit and remote control device of FIG. 1. The broken line showing of portions of the rotary laser unit and remote control device is included for illustrative purposes only and forms no part of the claimed design.

1 Claim, 7 Drawing Sheets



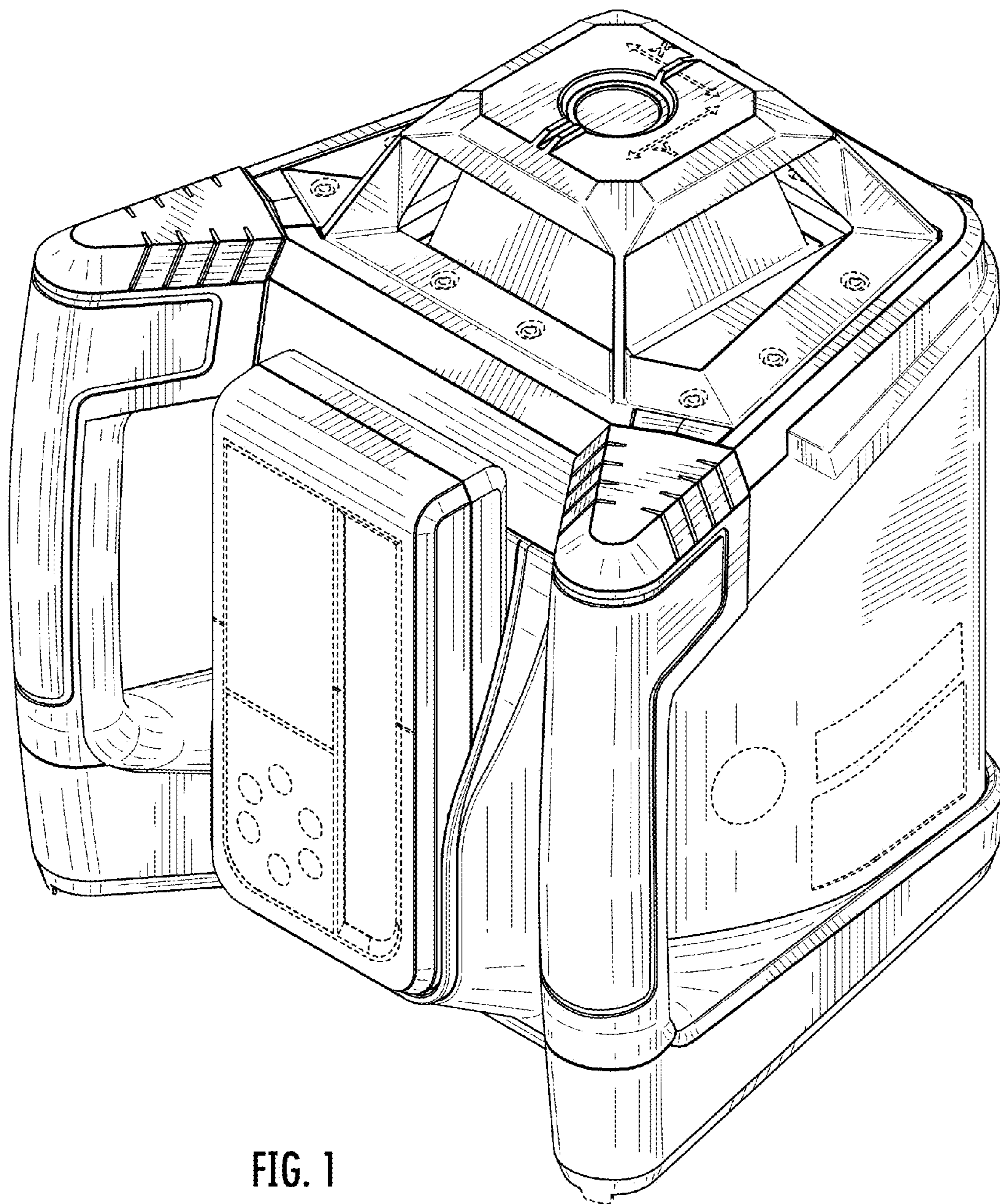


FIG. 1

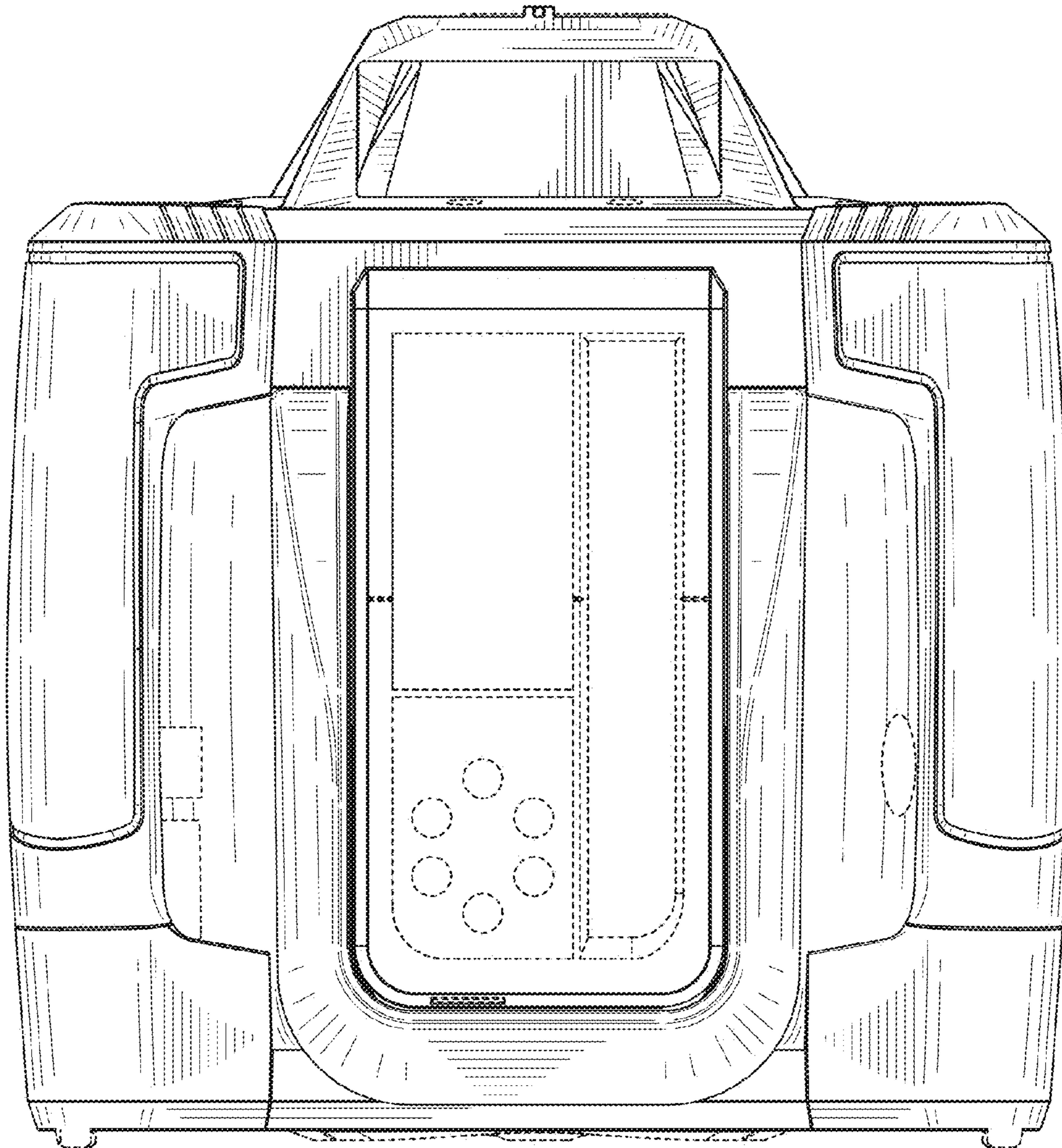


FIG. 2

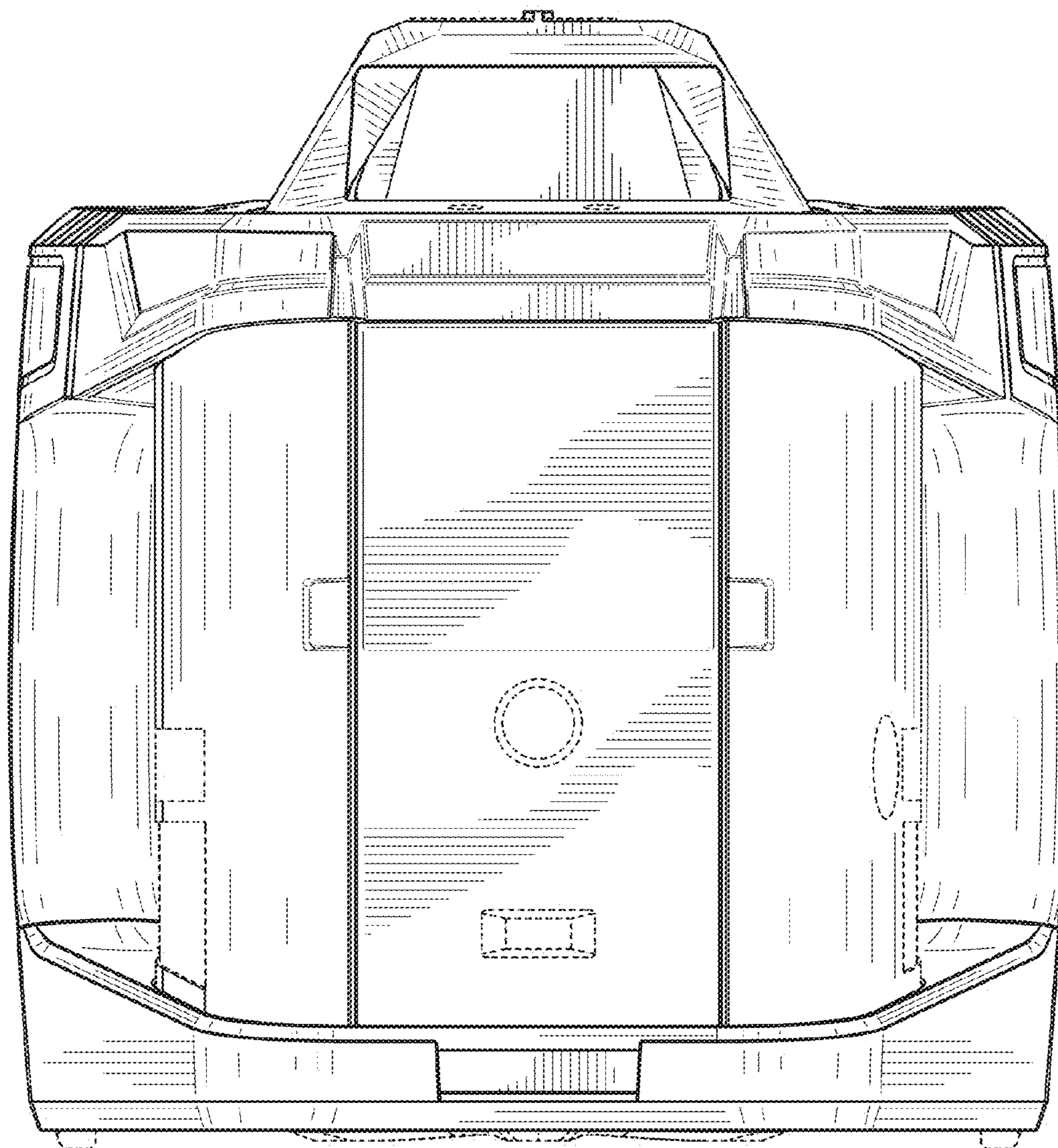


FIG. 3

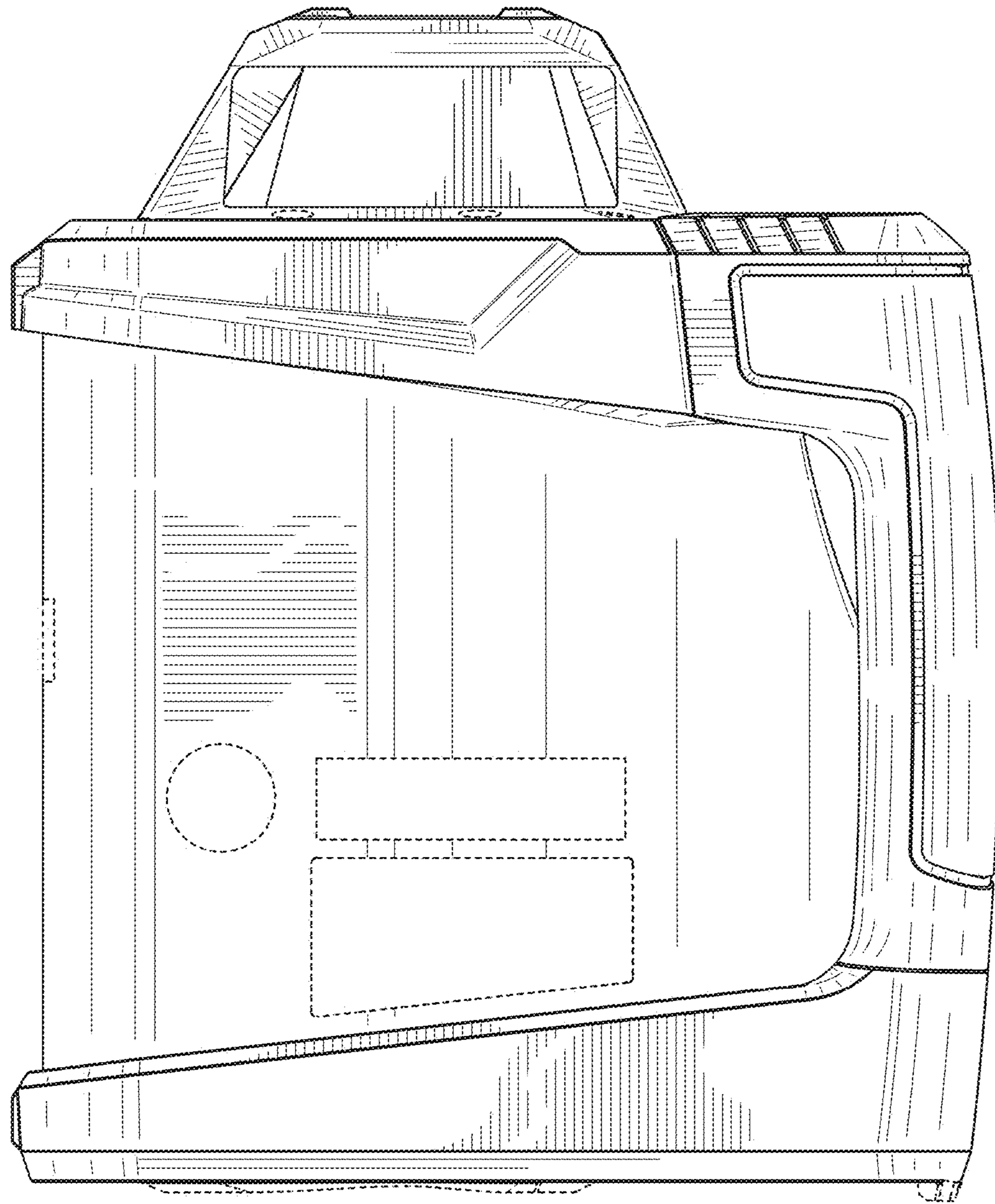


FIG. 4

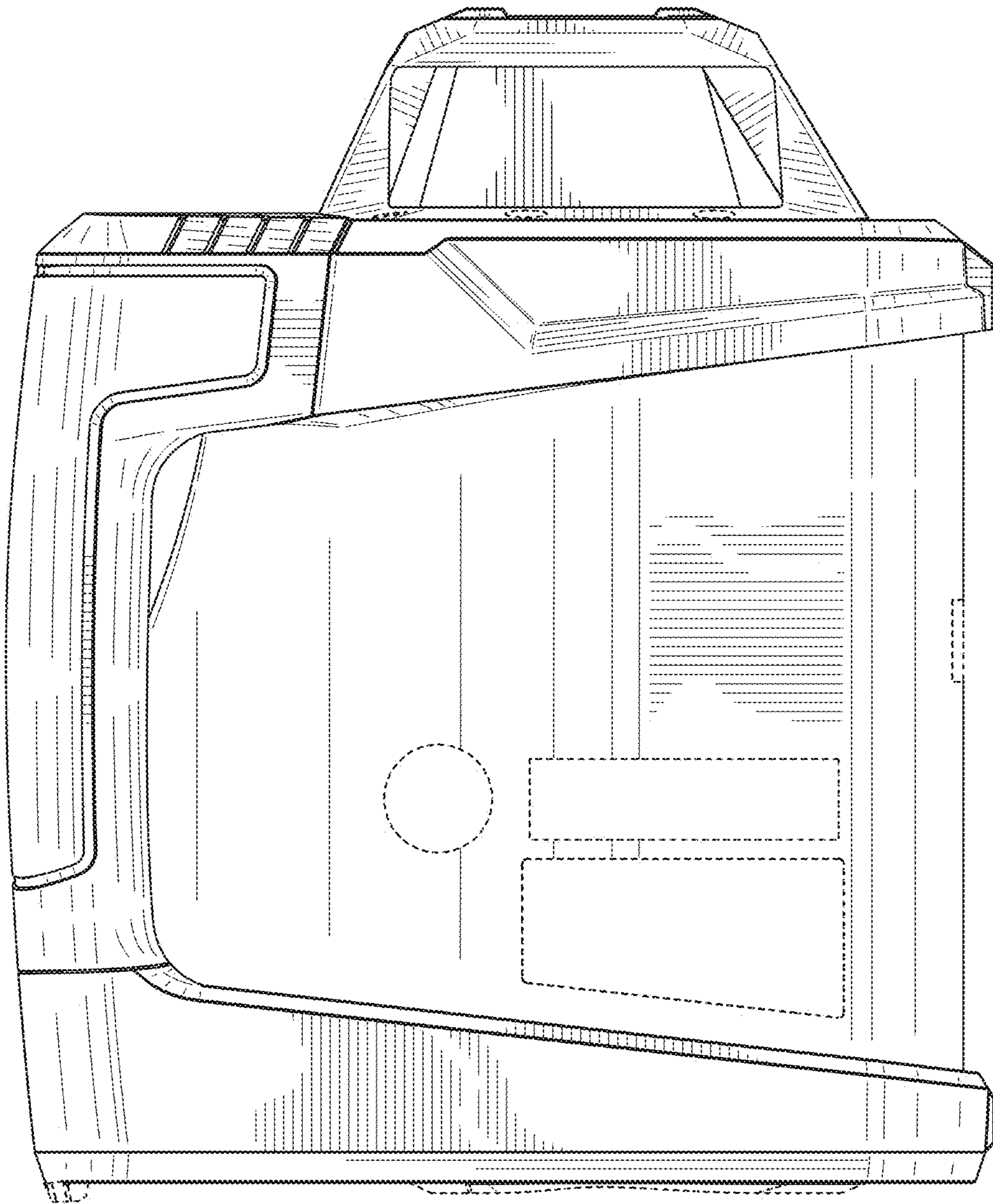


FIG. 5

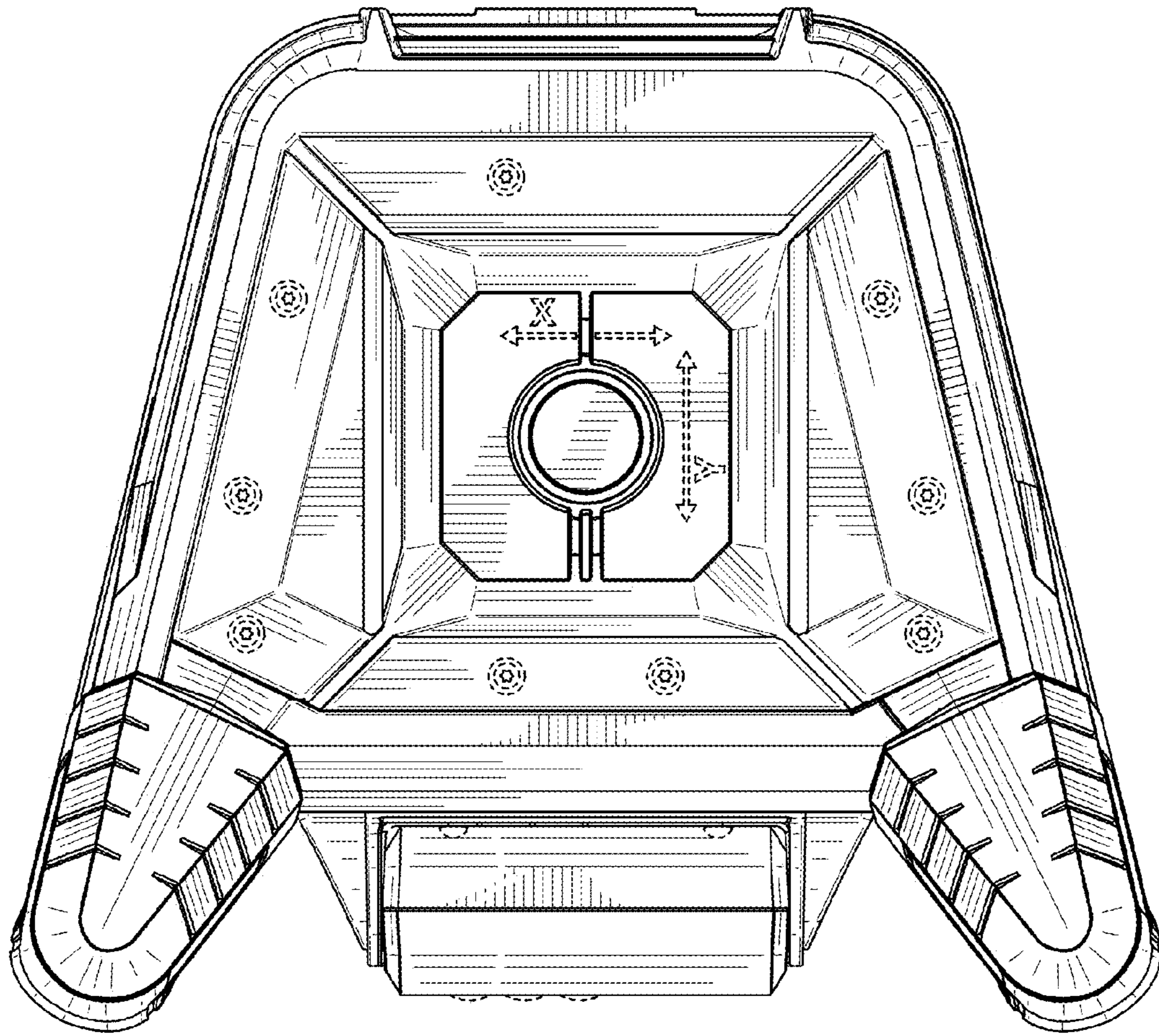


FIG. 6

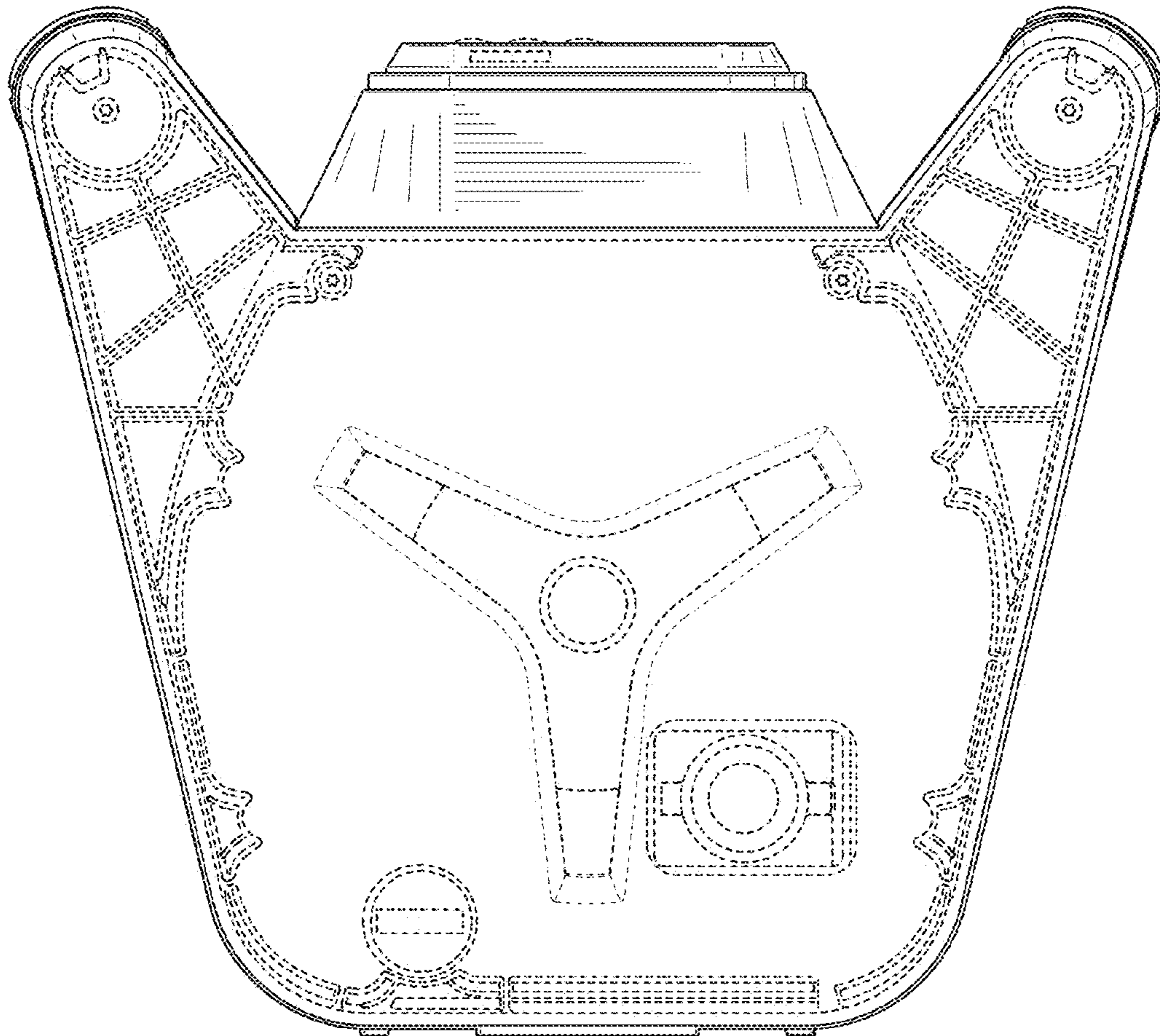


FIG. 7