



US00D688572S

(12) **United States Design Patent**
Marin

(10) **Patent No.:** **US D688,572 S**

(45) **Date of Patent:** **** Aug. 27, 2013**

(54) **TRAY**

(75) **Inventor:** **Andres Felipe Jaramillo Marin**, Tuluá (CO)

(73) **Assignee:** **Colombina S.A.**, Valle (CO)

(**) **Term:** **14 Years**

(21) **Appl. No.:** **29/431,849**

(22) **Filed:** **Sep. 11, 2012**

(51) **LOC (9) Cl.** **09-03**

(52) **U.S. Cl.**
USPC **D9/761**; D9/425; D9/737

(58) **Field of Classification Search**
USPC D9/756-762, 721, 455, 425, 737,
D9/414, 423, 424, 430-432, 415, 418, 426,
D9/428, 429; D3/304, 323; D24/224-227,
D24/229, 230; 211/71.01, 85.13, 74; 217/58;
206/563, 564, 541; 422/63, 64, 266, 297,
422/300; D7/553.1, 553.6, 553.8, 553.7,
D7/629, 602, 560-562; 220/4.23, 835, 839,
220/555, 575, 4.26, 4.27, 556, 557, 553,
220/608; 229/902-904, 906, 406, 407, 110;
426/108

See application file for complete search history.

(56) **References Cited**

U.S. PATENT DOCUMENTS

D224,662 S *	8/1972	Swett et al.	D7/546
D278,539 S *	4/1985	Josephson et al.	D18/43
D367,172 S *	2/1996	Brightbill et al.	D3/310
D504,325 S *	4/2005	Vovan	D9/761
D505,335 S *	5/2005	Grenda	D9/737
D557,047 S *	12/2007	Dretzka	D6/510
D560,492 S *	1/2008	Markowicz et al.	D9/721
D591,174 S *	4/2009	Larson	D9/761
D591,175 S *	4/2009	Larson	D9/761
D643,311 S *	8/2011	Meyers	D9/761

* cited by examiner

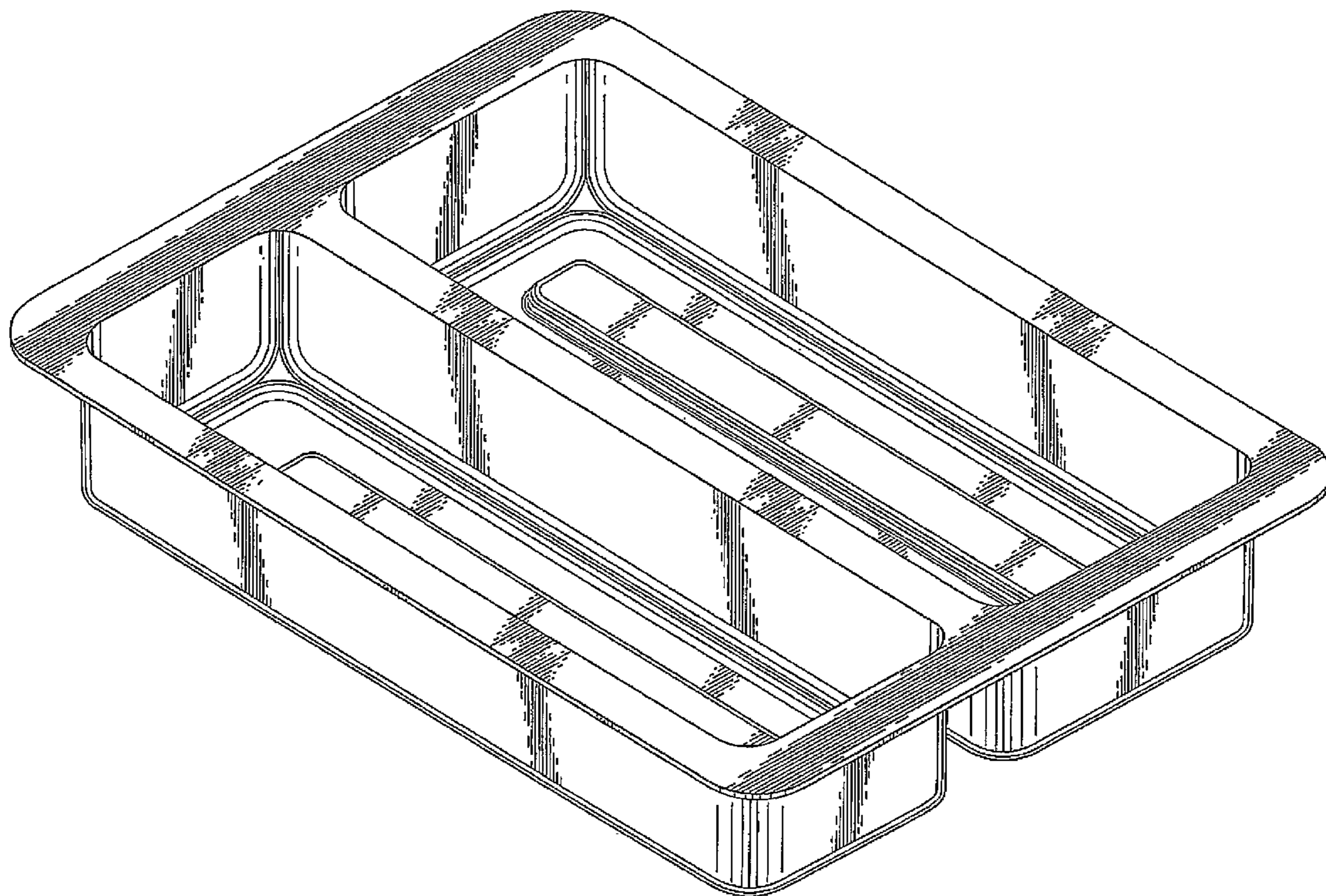
Primary Examiner — Mark Goodwin
(74) *Attorney, Agent, or Firm* — Christie, Parker & Hale, LLP

(57) **CLAIM**
The ornamental design for tray, as shown and described.

DESCRIPTION

FIG. 1 is a top perspective view of a tray showing my new design;
FIG. 2 is a bottom perspective view thereof;
FIG. 3 is a left side view thereof, the right side view being a mirror image thereof;
FIG. 4 is a front view thereof;
FIG. 5 is a rear view thereof;
FIG. 6 is a top view thereof; and,
FIG. 7 is a bottom view thereof.

1 Claim, 5 Drawing Sheets



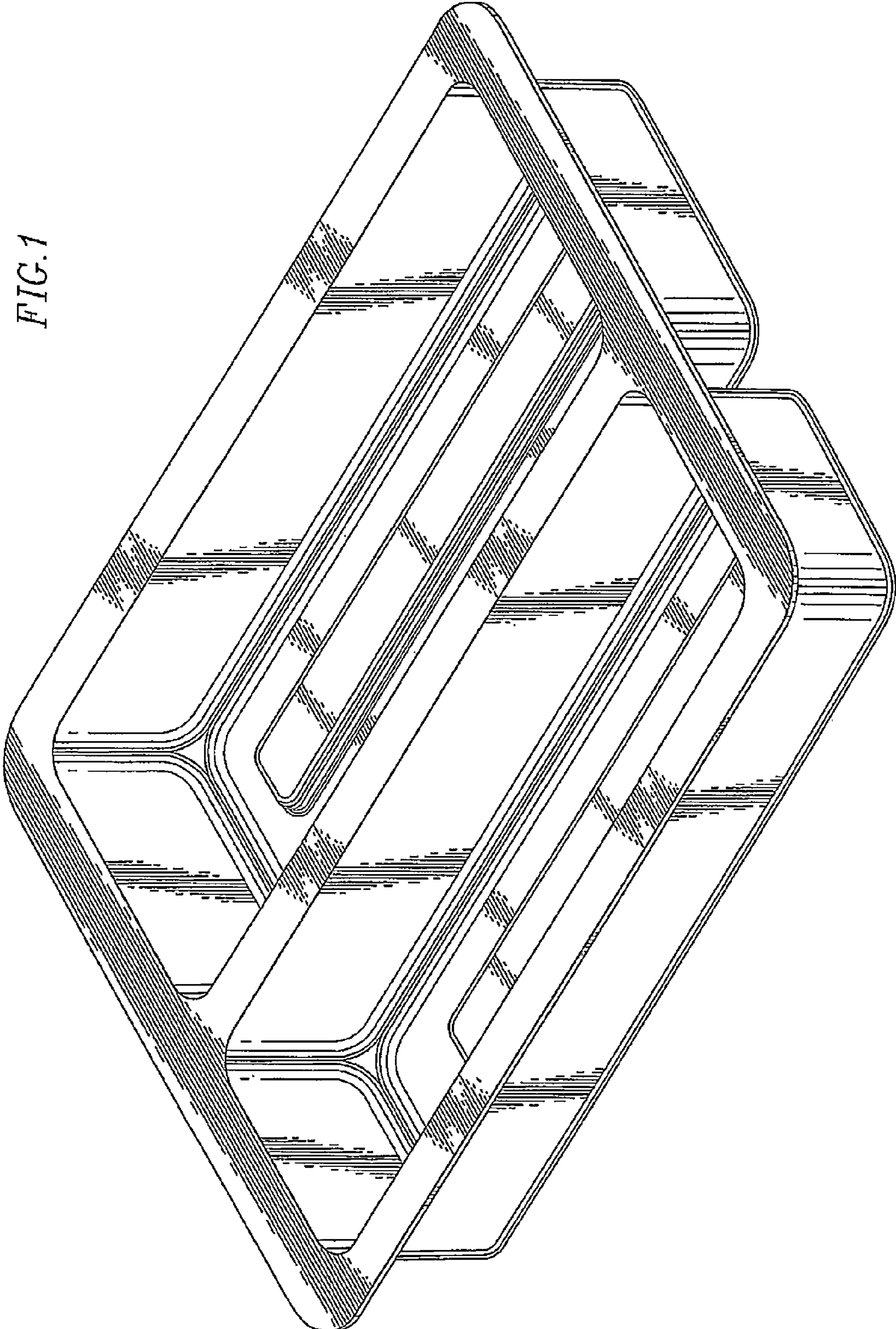


FIG. 1

FIG. 2

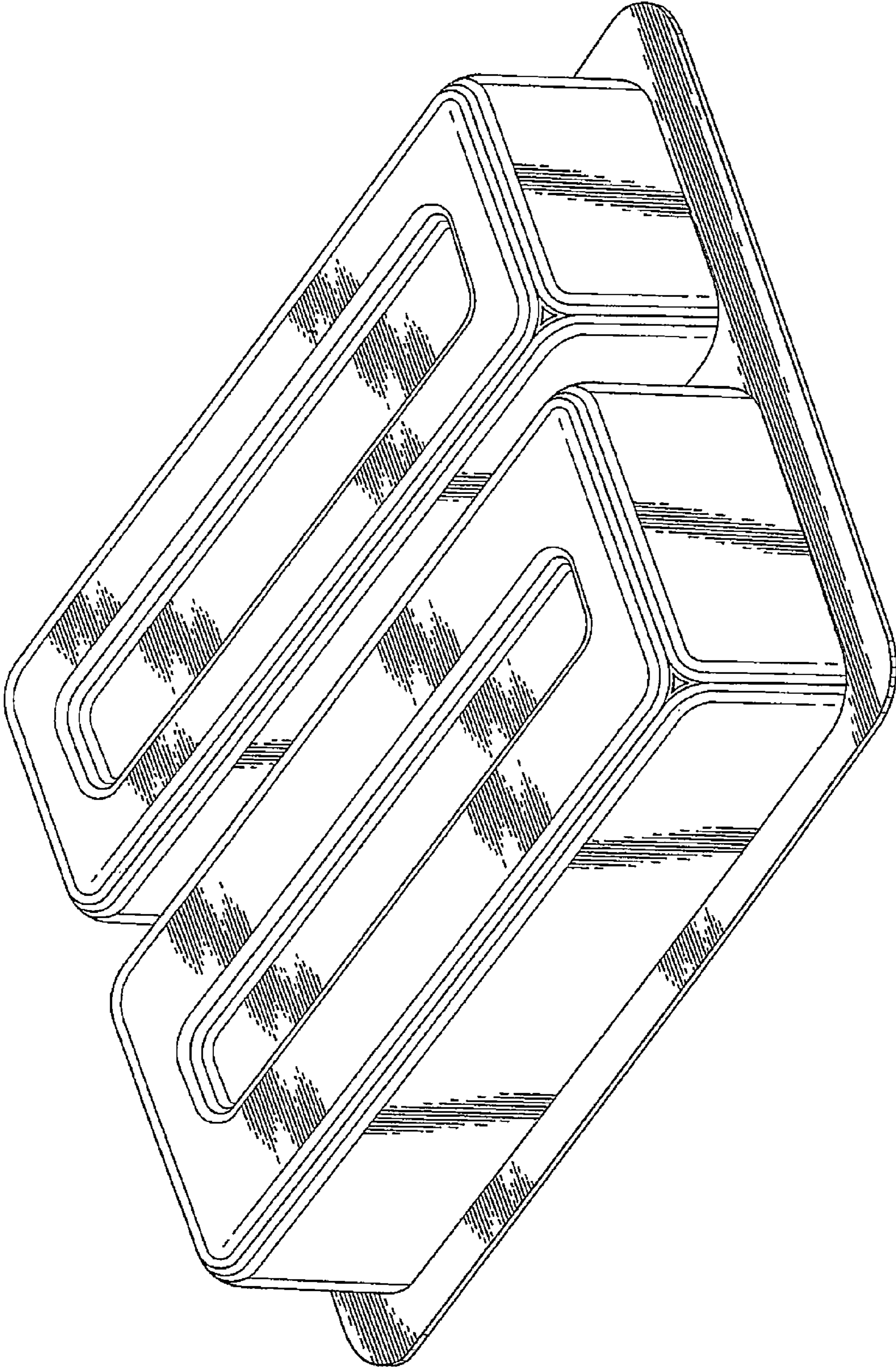


FIG. 3

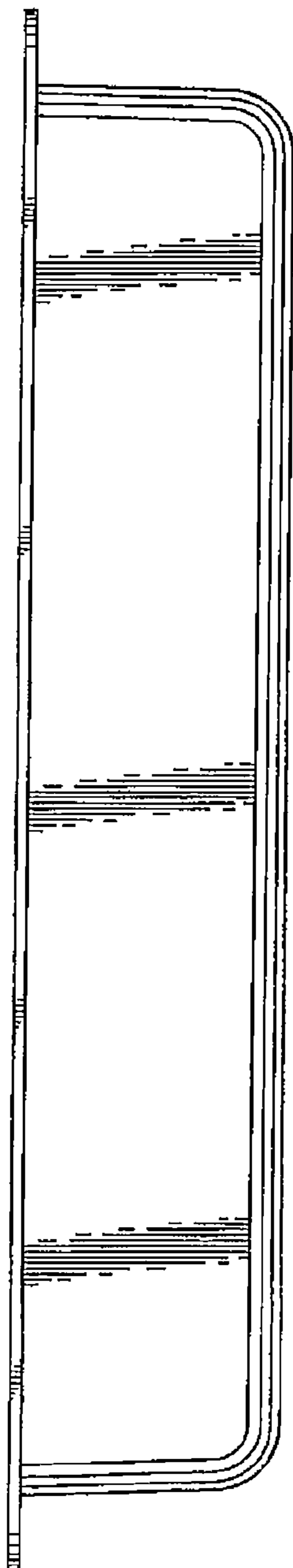


FIG. 4

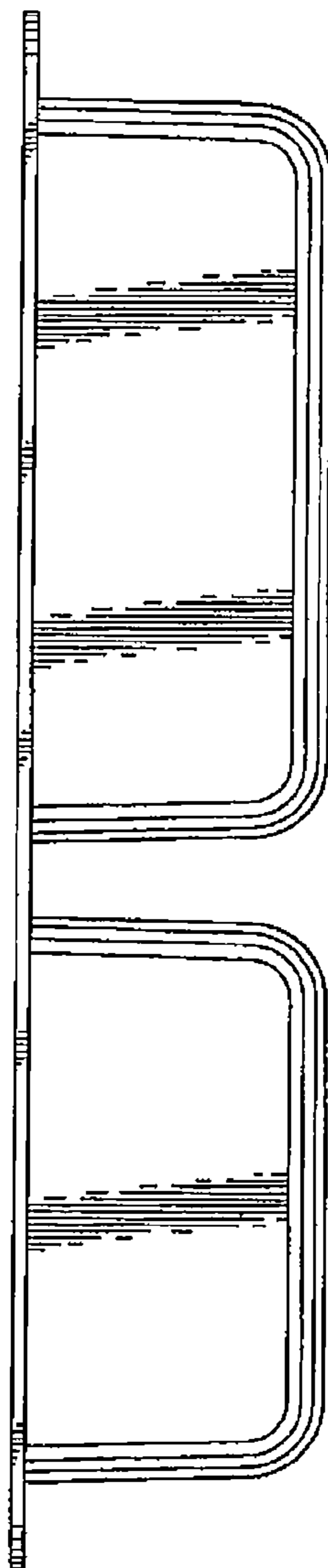


FIG. 5

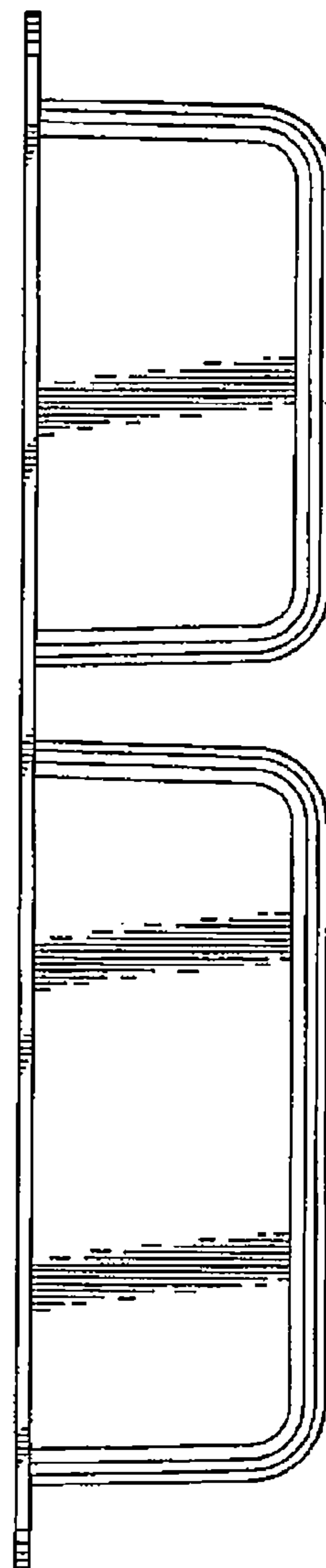


FIG. 6

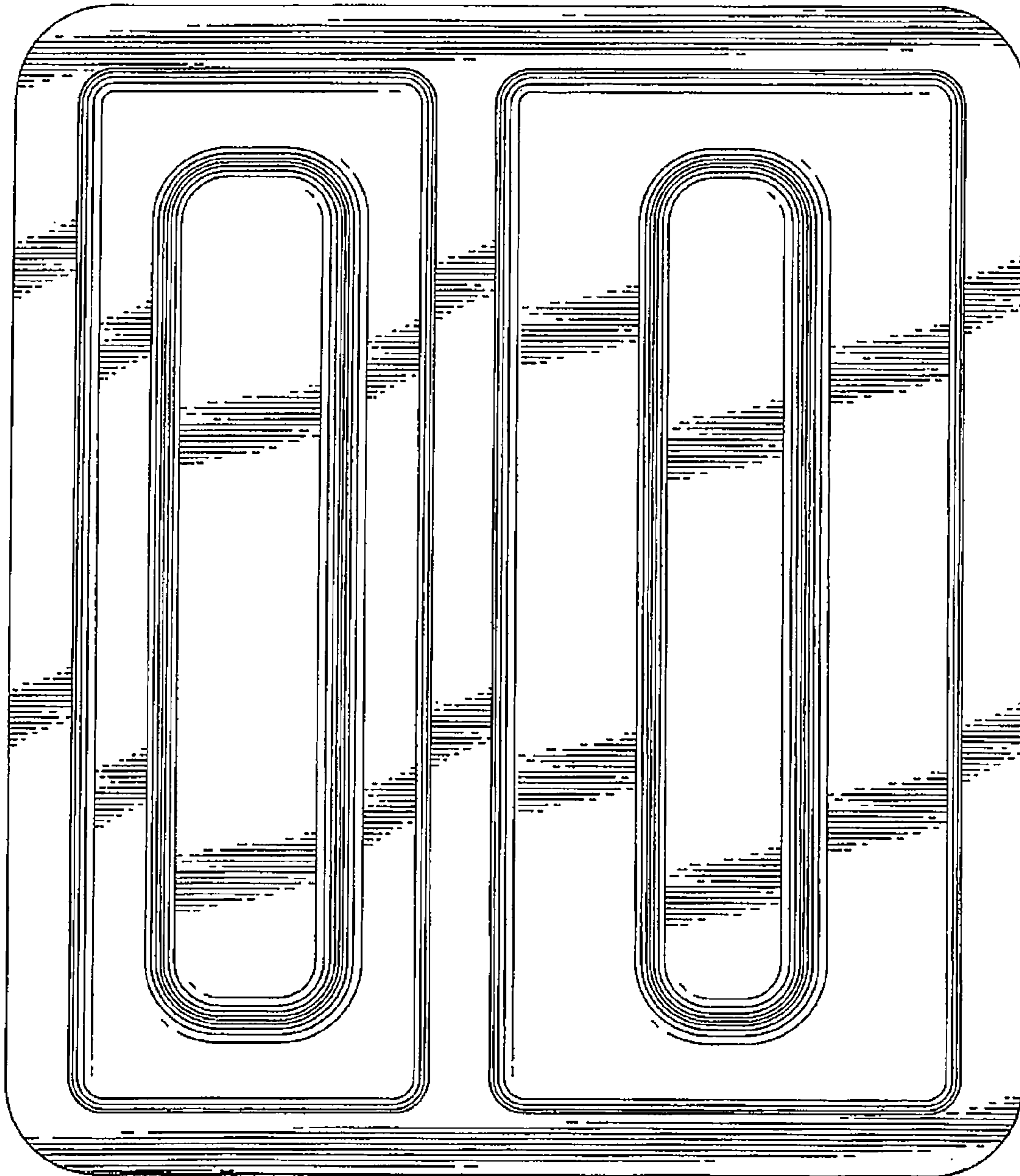


FIG. 7

