



US00D688571S

(12) **United States Design Patent**  
**Logue**

(10) **Patent No.:** **US D688,571 S**

(45) **Date of Patent:** **\*\* Aug. 27, 2013**

(54) **BLISTER PACK**

(75) Inventor: **Anthony Thomas Logue**, Yowie Bay  
(AU)

(73) Assignee: **Logue and Co. Pty Ltd.**, Yowie Bay  
(AU)

(\*\*) Term: **14 Years**

(21) Appl. No.: **29/426,237**

(22) Filed: **Jul. 2, 2012**

(30) **Foreign Application Priority Data**

Feb. 1, 2012 (AU) ..... 10463/2012

(51) **LOC (9) Cl.** ..... **09-01**

(52) **U.S. Cl.**  
USPC ..... **D9/732**

(58) **Field of Classification Search**  
USPC ..... D9/415, 416, 418, 419, 424, 425,  
D9/427, 428, 437, 501, 644, 653, 658, 736-762,  
D9/902; 206/365, 461-471, 484, 485, 486,  
206/493, 528, 531, 532, 534, 538, 539, 775-783;  
D24/121, 227, 229, 224; D7/538, 541, 546,  
D7/549, 553.6, 553.3, 557, 586, 628; D3/203.2,  
D3/203.3, 310, 309, 311, 312, 313; D26/9,  
D26/11, 22, 23, 39, 101  
See application file for complete search history.

(56) **References Cited**

**U.S. PATENT DOCUMENTS**

D213,177 S \* 1/1969 Nearing ..... D9/456  
D236,881 S \* 9/1975 Mitchell ..... D9/759

D253,222 S \* 10/1979 Fournier et al. .... D9/732  
D256,777 S \* 9/1980 Sorsjo ..... D9/732  
D321,074 S \* 10/1991 Eby ..... D3/313  
D339,743 S \* 9/1993 Zellner et al. .... D9/761  
D421,900 S \* 3/2000 Eneroth et al. .... D9/732  
D492,195 S \* 6/2004 Shabaz ..... D9/737  
D534,436 S \* 1/2007 Berger ..... D9/756  
D588,471 S \* 3/2009 Fluegel et al. .... D9/732  
D594,753 S \* 6/2009 Eadicicco et al. .... D9/732  
D597,418 S \* 8/2009 Stojek ..... D9/732  
D646,561 S \* 10/2011 Pugh ..... D9/415  
D655,627 S \* 3/2012 Mehren et al. .... D9/732  
D655,628 S \* 3/2012 Mehren et al. .... D9/732  
8,162,141 B2 \* 4/2012 Baker et al. .... 206/461  
2002/0104773 A1 \* 8/2002 Kalvelage et al. .... 206/538  
2011/0100855 A1 \* 5/2011 Shin et al. .... 206/471

\* cited by examiner

*Primary Examiner* — Derrick Holland

*Assistant Examiner* — Lauren Calve

(74) *Attorney, Agent, or Firm* — Sughrue Mion, PLLC

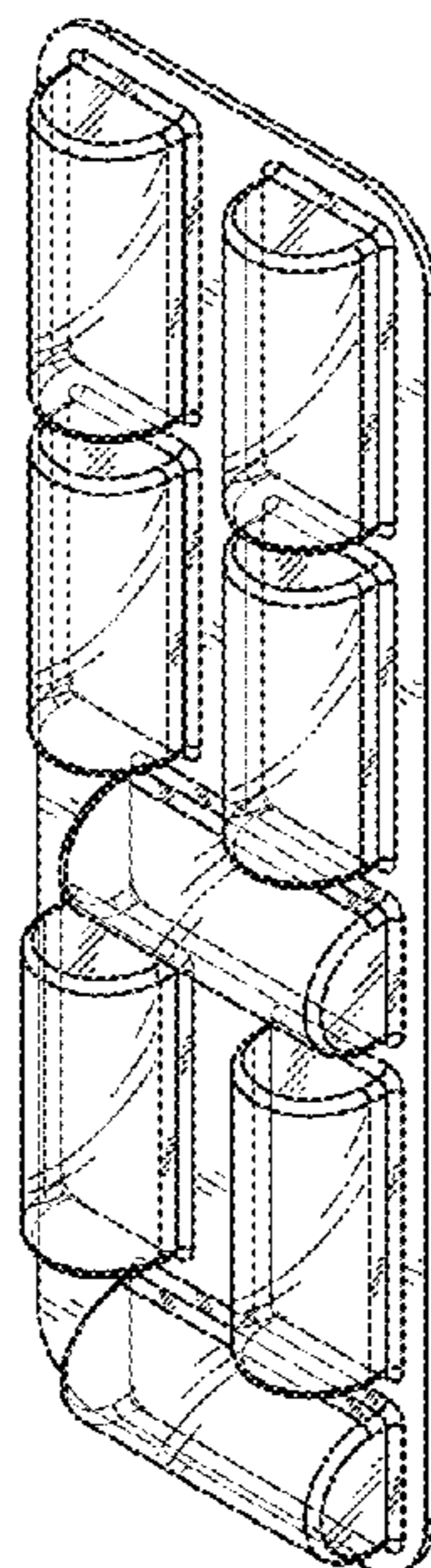
(57) **CLAIM**

The ornamental design for a blister pack, as shown and described.

**DESCRIPTION**

FIG. 1 is a front perspective view of the blister pack;  
FIG. 2 is a left side view of thereof;  
FIG. 3 is a right side view thereof;  
FIG. 4 is a front view thereof;  
FIG. 5 is a rear view thereof;  
FIG. 6 is a top view thereof; and,  
FIG. 7 is a bottom view thereof.

**1 Claim, 3 Drawing Sheets**



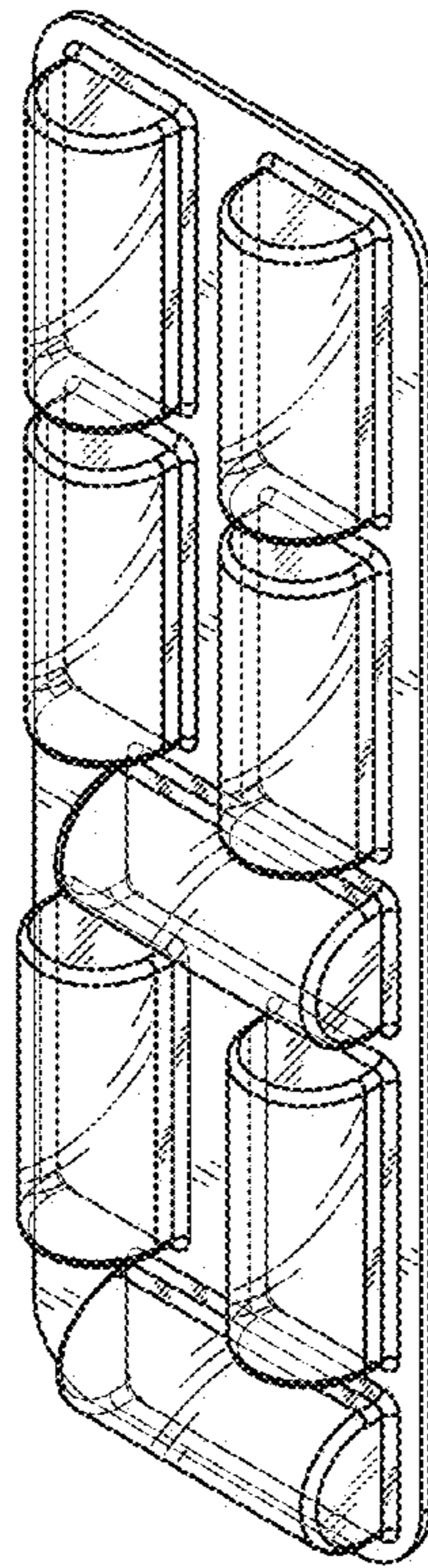


FIG. 1

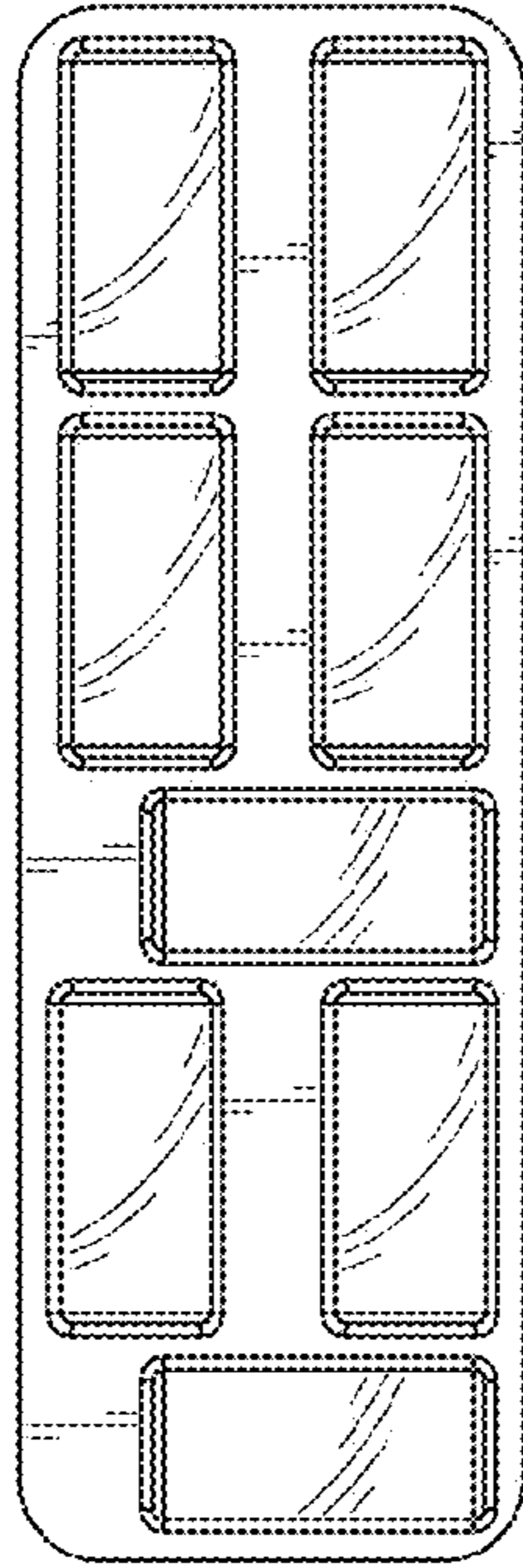


FIG. 2

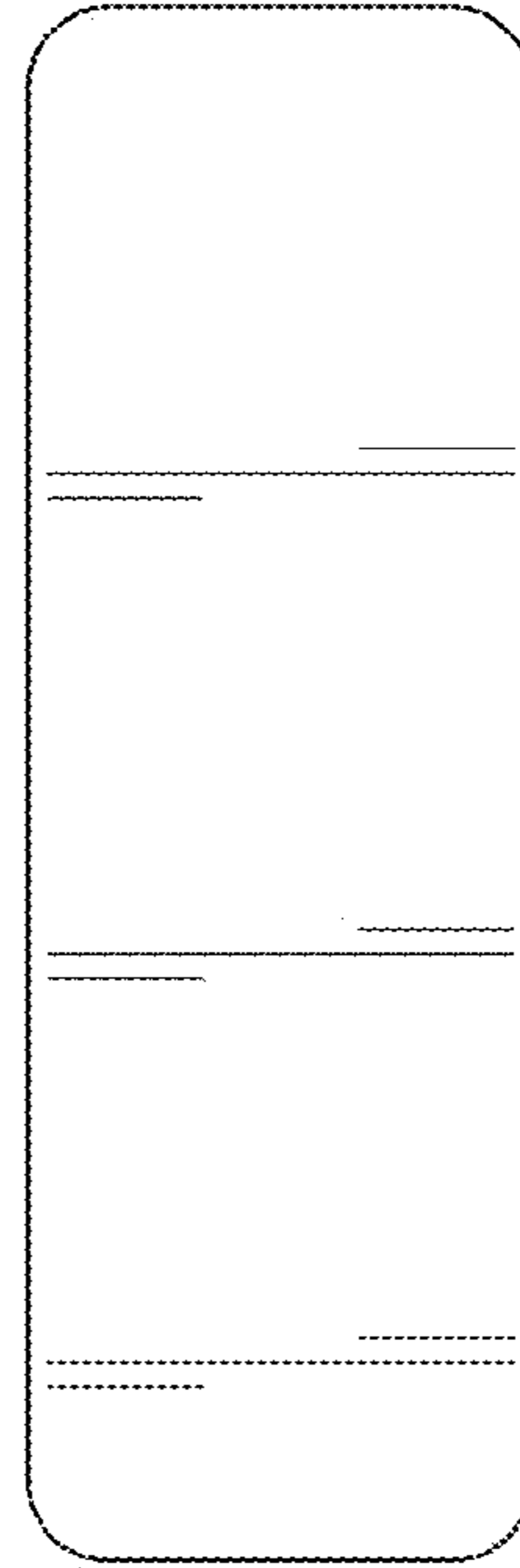


FIG. 3



FIG. 4



FIG. 5

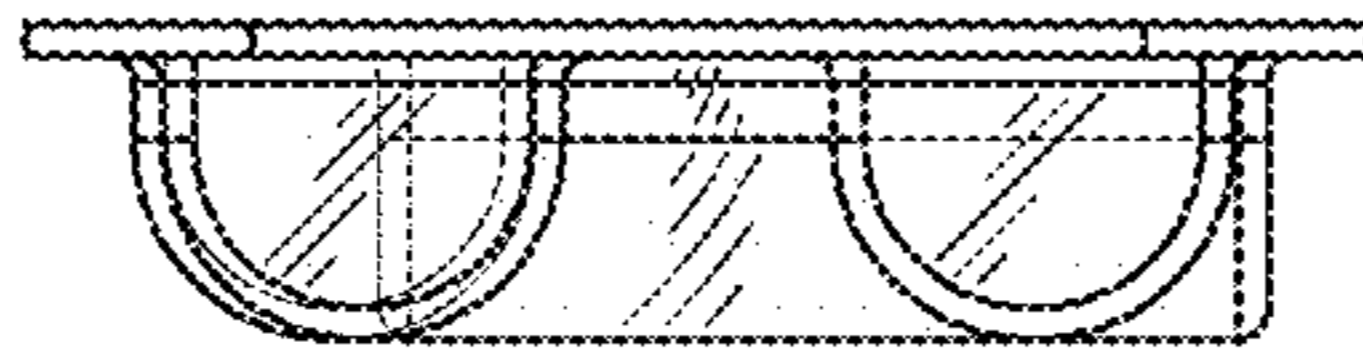


FIG. 6

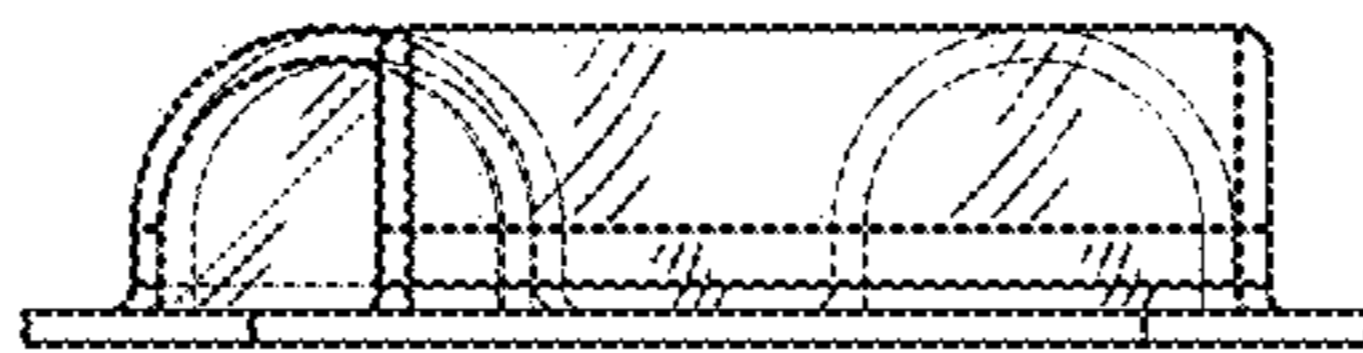


FIG. 7