



US00D688567S

(12) **United States Design Patent**
Stronski

(10) **Patent No.:** **US D688,567 S**

(45) **Date of Patent:** **** Aug. 27, 2013**

(54) **RESEALABLE POUCH**

(71) Applicant: **Swisher International, Inc.**,
Jacksonville, FL (US)

(72) Inventor: **Jim Stronski**, Jacksonville, FL (US)

(73) Assignee: **Swisher International, Inc.**,
Jacksonville, FL (US)

(**) Term: **14 Years**

(21) Appl. No.: **29/441,664**

(22) Filed: **Jan. 8, 2013**

(51) **LOC (9) Cl.** **09-05**

(52) **U.S. Cl.**
USPC **D9/709**

(58) **Field of Classification Search**
USPC D9/702–703, 707, 709, 711, 713,
D9/430–431, 761, 414–417, 695–696, 737,
D9/419, 424–426, 734; 426/106, 115, 119,
426/120, 122, 132, 134, 108, 112; 222/82,
222/92, 107, 527, 129; 206/229, 484, 527,
206/271–273, 390, 438, 449, 820; D24/118,
D24/207; 383/207, 200, 63, 209; 229/87.01,
229/87.05, 87.03, 87.14, 87.08

See application file for complete search history.

(56) **References Cited**

U.S. PATENT DOCUMENTS

D323,979 S *	2/1992	Forman et al.	D9/709
D327,217 S *	6/1992	Wallace	D9/707
D394,605 S *	5/1998	Skiba et al.	D9/709
D402,196 S *	12/1998	Lynch	D9/709

D489,606 S *	5/2004	Lofman	D9/707
D583,681 S *	12/2008	Bernard	D9/710
D613,615 S *	4/2010	Hedstrom	D9/702
D619,478 S *	7/2010	Drewnowski et al.	D9/707
D630,522 S *	1/2011	Harvey et al.	D9/707
D640,566 S *	6/2011	Norlin et al.	D9/707
D643,745 S *	8/2011	Hartley	D9/707

* cited by examiner

Primary Examiner — Caron D Veynar

Assistant Examiner — Abraham Bahta

(74) *Attorney, Agent, or Firm* — Lucas & Mercanti, LLP

(57) **CLAIM**

The ornamental design for a resealable pouch, as shown and described.

DESCRIPTION

FIG. 1 is a perspective view of a resealable pouch showing the top side;

FIG. 2 is a second perspective view of the resealable pouch showing the bottom side;

FIG. 3 is a top view of the resealable pouch;

FIG. 4 is a bottom view of the resealable pouch;

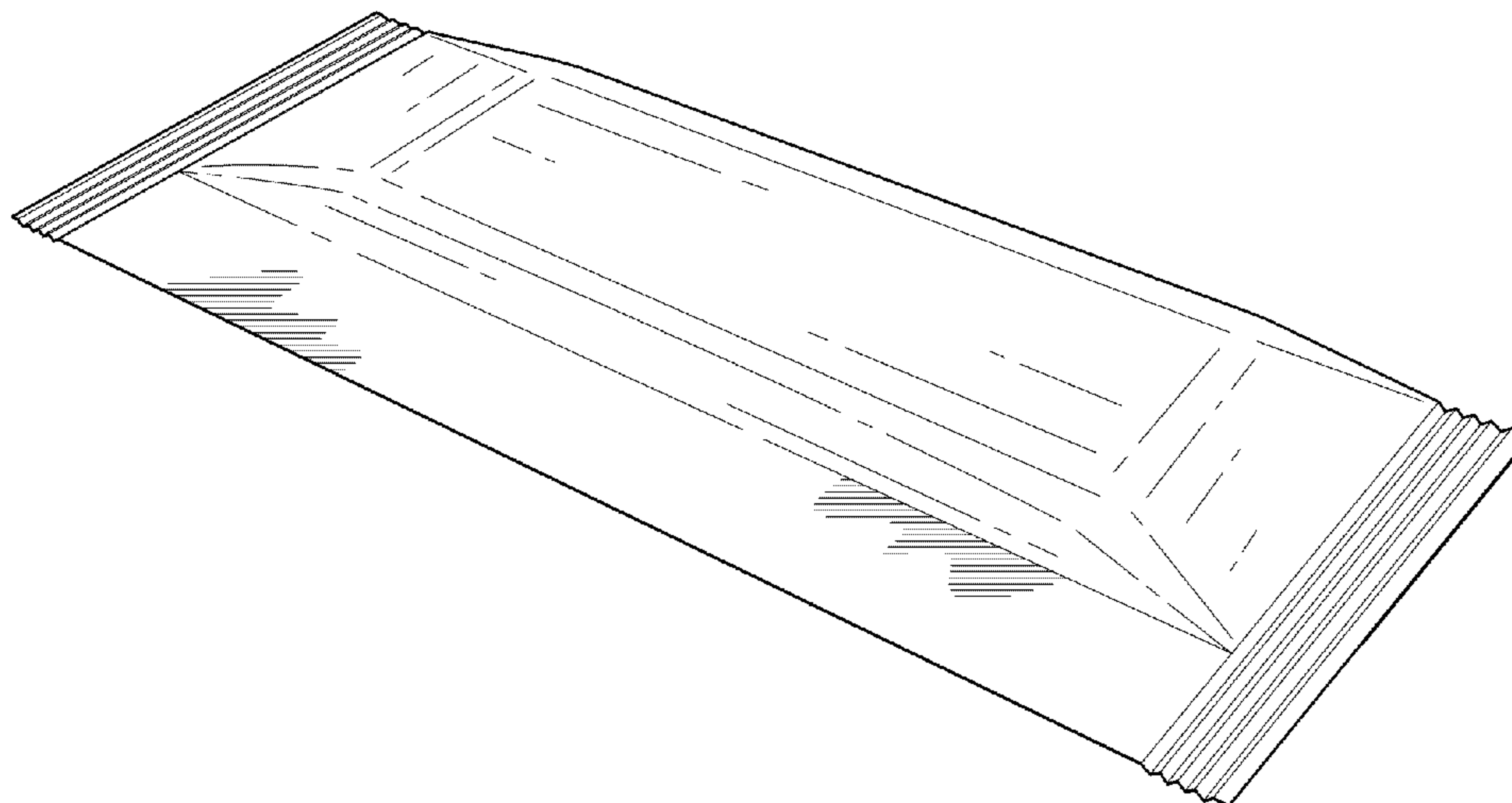
FIG. 5 is a left side view of the resealable pouch in an upright position;

FIG. 6 is a right side view of the resealable pouch in an upright position;

FIG. 7 is a side view of the resealable pouch shown in horizontal position; and,

FIG. 8 is a second side view of the resealable pouch shown in horizontal position.

1 Claim, 3 Drawing Sheets



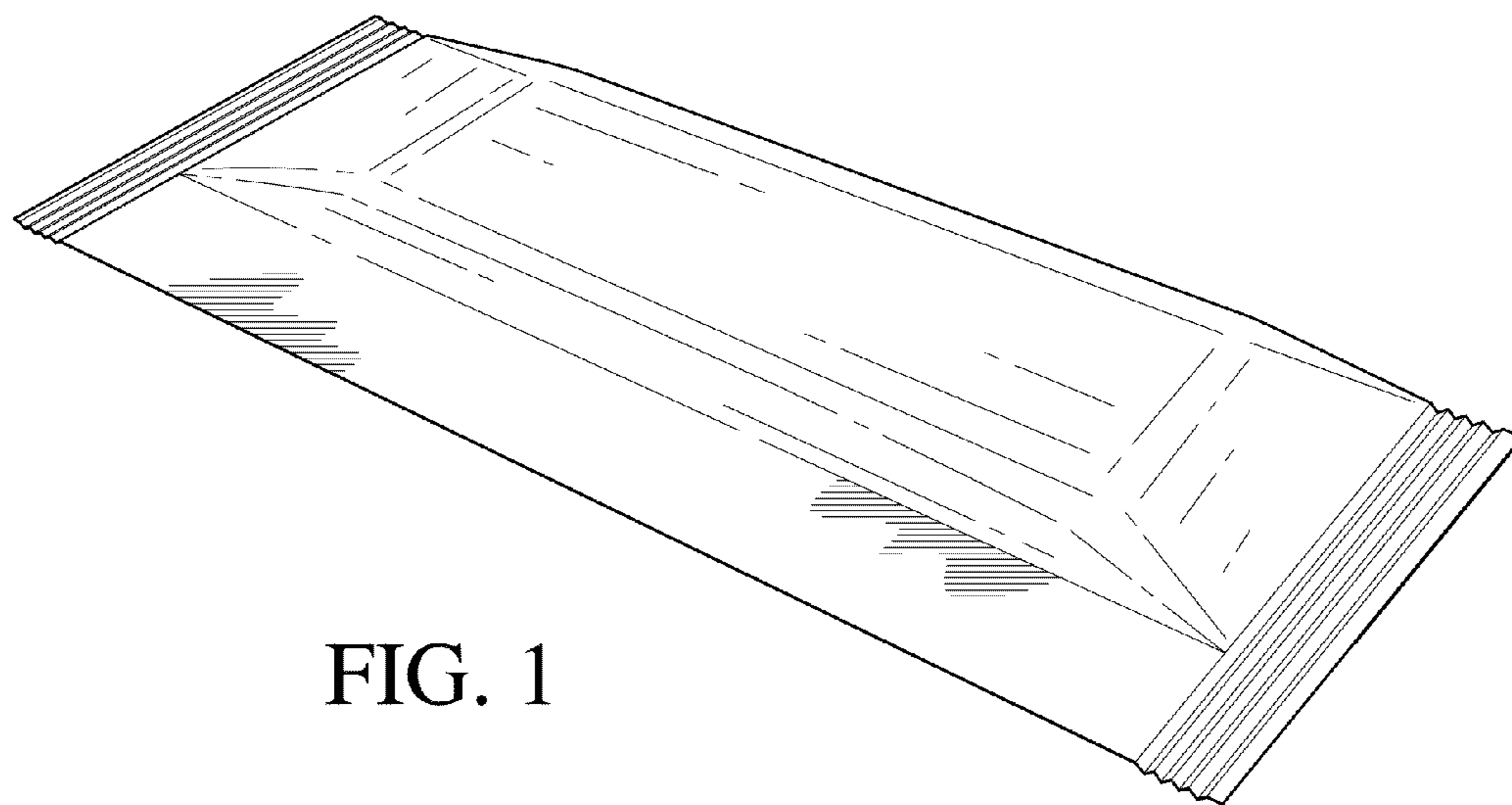


FIG. 1

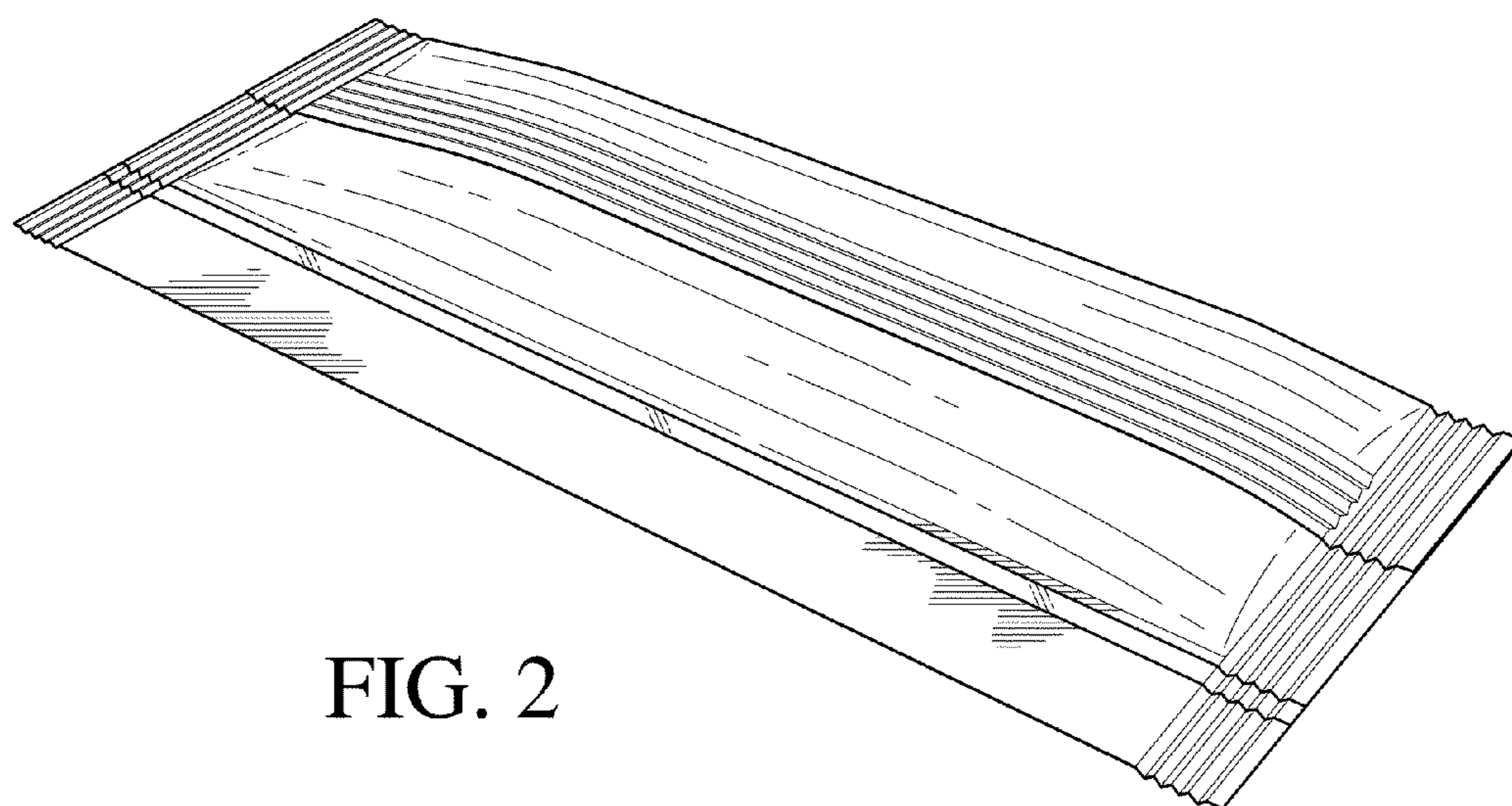


FIG. 2

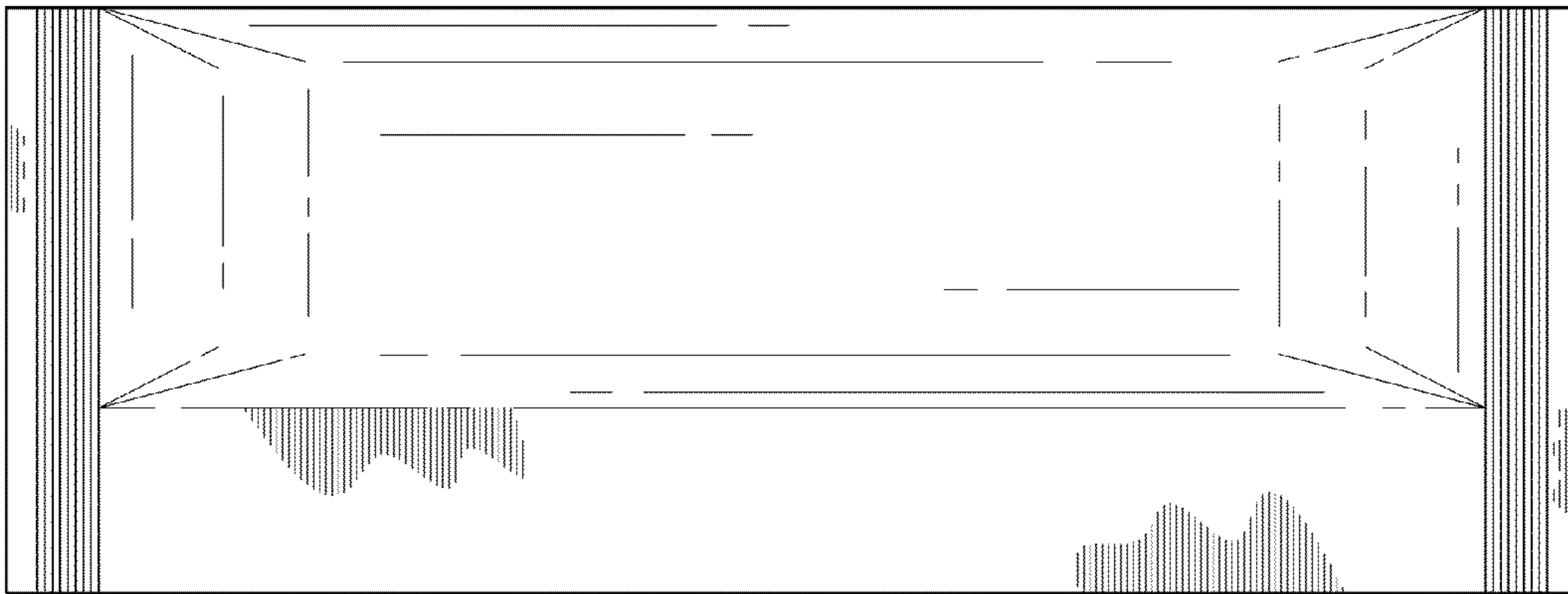


FIG. 3

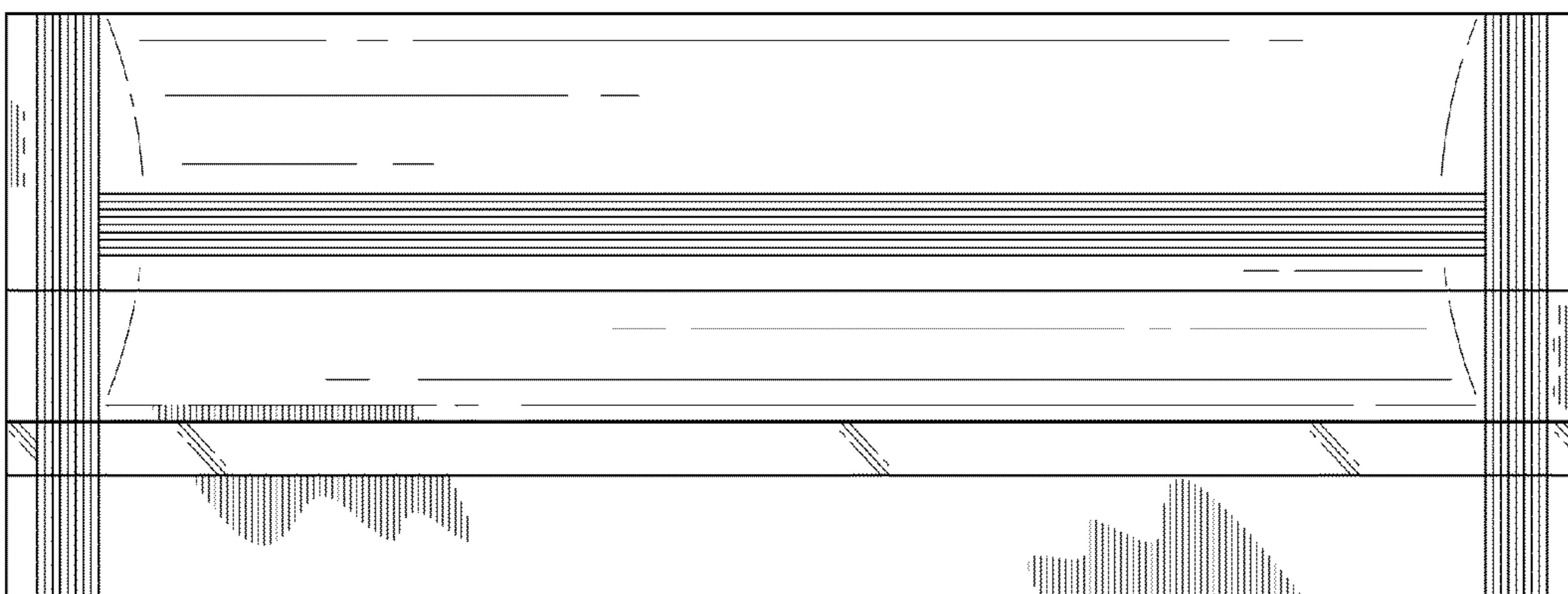


FIG. 4



FIG. 5



FIG. 6



FIG. 7

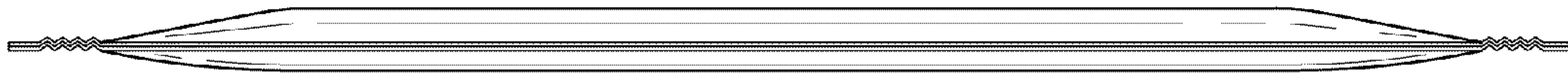


FIG. 8