



US00D688562S

(12) **United States Design Patent**  
**Baranowski et al.**

(10) **Patent No.:** **US D688,562 S**

(45) **Date of Patent:** **\*\* Aug. 27, 2013**

(54) **COMBINED TRIGGER AND BOTTLE**

(71) Applicants: **Brad P. Baranowski**, Racine, WI (US);  
**David A. Hoadley**, Racine, WI (US);  
**Cinzia Galia**, Alessandria (IT)

(72) Inventors: **Brad P. Baranowski**, Racine, WI (US);  
**David A. Hoadley**, Racine, WI (US);  
**Cinzia Galia**, Alessandria (IT)

(73) Assignee: **S.C. Johnson & Son, Inc.**, Racine, WI (US)

(\*\*) Term: **14 Years**

(21) Appl. No.: **29/439,466**

(22) Filed: **Dec. 11, 2012**

**Related U.S. Application Data**

(62) Division of application No. 29/386,705, filed on Mar. 3, 2011, now Pat. No. Des. 676,760.

(51) **LOC (9) Cl.** ..... **09-01**

(52) **U.S. Cl.**  
USPC ..... **D9/685**

(58) **Field of Classification Search**  
USPC ..... D9/682-694, 500-505, 526, 527,  
D9/447-450; 222/129, 135, 153.01, 153.03,  
222/153.04, 153.09, 153.11-153.14, 182,  
222/631, 635, 209, 211-213, 215, 321.7-321.9,  
222/372, 373, 378, 379, 383.1, 384-386,  
222/398, 400.7, 400.8, 401, 402.1-402.25;  
215/379-385; 220/669-675

See application file for complete search history.

(56) **References Cited**

**U.S. PATENT DOCUMENTS**

3,797,749 A \* 3/1974 Tada ..... 239/321  
D239,372 S \* 3/1976 Brooks et al. .... D9/448

(Continued)

**FOREIGN PATENT DOCUMENTS**

AU 319086 S 4/2008  
AU 319087 S 4/2008

(Continued)

**OTHER PUBLICATIONS**

The Faceshop product pages of a bottle and sprayer from blog.naver.com website [online] [retrieved on Jun. 4, 2011, 10 pages. Retrieved from <URL: http://blog.naver.com/PostPrint.nhn?blogId=annasui\_kiss&logNo=10022234362>.

*Primary Examiner* — Catherine Tuttle

(57) **CLAIM**

The ornamental design for a combined trigger and bottle, as shown and described.

**DESCRIPTION**

FIG. 1 is a top, front and left isometric view of the combined trigger and bottle showing our new design;  
FIG. 2 is a front elevational view of the combined trigger and bottle of FIG. 1;  
FIG. 3 is a rear elevational view of the combined trigger and bottle of FIG. 1;  
FIG. 4 is a left side elevational view of the combined trigger and bottle of FIG. 1;  
FIG. 5 is a right side elevational view of the combined trigger and bottle of FIG. 1;  
FIG. 6 is a top plan view of the combined trigger and bottle of FIG. 1;  
FIG. 7 is a top, front and left isometric view of the combined trigger and bottle showing an alternate embodiment of our new design;  
FIG. 8 is a front elevational view of the combined trigger and bottle of FIG. 7;  
FIG. 9 is a rear elevational view of the combined trigger and bottle of FIG. 7;  
FIG. 10 is a left side elevational view of the combined trigger and bottle of FIG. 7;  
FIG. 11 is a right side elevational view of the combined trigger and bottle of FIG. 7; and,  
FIG. 12 is a top plan view of the combined trigger and bottle of FIG. 7.

The broken lines are included for the purpose of illustrating portions of the combined trigger and bottle that form no part of the claimed design. Further, the bottom view forms no part of the claimed invention.

**1 Claim, 8 Drawing Sheets**



(56)

References Cited

U.S. PATENT DOCUMENTS

D243,333 S 2/1977 Tada  
 D247,302 S 2/1978 Federico et al.  
 D251,382 S 3/1979 Reed  
 D259,332 S 5/1981 Walton  
 D272,081 S 1/1984 Suhajda et al.  
 4,434,917 A 3/1984 Saito et al.  
 4,643,338 A 2/1987 Lizuka  
 4,922,859 A 5/1990 Durell et al.  
 5,018,647 A 5/1991 Abplanalf  
 D327,222 S 6/1992 Fuchs  
 5,119,974 A 6/1992 Mann  
 5,147,074 A 9/1992 Batteggazzore  
 D338,616 S \* 8/1993 MacDonald et al. .... D9/600  
 5,257,724 A 11/1993 Steijns  
 D349,642 S 8/1994 Abfier  
 D351,646 S 10/1994 Foster et al.  
 D351,991 S 11/1994 Bertolini  
 D353,321 S 12/1994 Steijns et al.  
 5,507,418 A 4/1996 Dobbs et al.  
 5,542,581 A 8/1996 Habora et al.  
 5,553,750 A 9/1996 Foster  
 5,570,840 A 11/1996 Gettinger et al.  
 5,575,407 A 11/1996 Foster et al.  
 5,636,768 A 6/1997 Yamada  
 5,704,521 A 1/1998 Grogan et al.  
 5,706,984 A 1/1998 Tada et al.  
 D400,102 S 10/1998 Tada  
 D406,052 S 2/1999 Dumont et al.  
 5,944,223 A 8/1999 Klima et al.  
 6,168,050 B1 1/2001 Batteggazzore  
 6,206,243 B1 3/2001 Schneider et al.  
 6,223,380 B1 5/2001 Klima et al.  
 D444,700 S 7/2001 Ebert  
 D446,721 S 8/2001 Kimble et al.  
 D451,388 S 12/2001 Spengler  
 6,325,304 B1 12/2001 Brite et al.  
 D454,306 S 3/2002 Sweeton et al.  
 6,360,918 B1 3/2002 Butler  
 D456,262 S 4/2002 Cummings  
 6,364,171 B1 4/2002 Chalupsky et al.  
 6,439,481 B2 8/2002 von Schuckmann  
 D463,972 S 10/2002 Perrin et al.  
 D475,294 S 6/2003 Foster et al.  
 D481,305 S 10/2003 Walters et al.  
 6,851,625 B1 2/2005 Kuo  
 D521,864 S 5/2006 Cartoni  
 D525,123 S \* 7/2006 Walters et al. .... D9/448  
 D528,001 S 9/2006 Schroeder et al.  
 D528,002 S 9/2006 Schroeder et al.  
 D528,420 S 9/2006 Schroeder et al.  
 D528,916 S 9/2006 Schroeder et al.  
 D532,299 S \* 11/2006 Kuo ..... D9/448  
 D536,977 S 2/2007 Schroeder et al.  
 D538,172 S 3/2007 Camby  
 D540,193 S 4/2007 Schimminger  
 D545,209 S 6/2007 Batliner  
 D546,683 S 7/2007 Yang  
 7,249,692 B2 \* 7/2007 Walters et al. .... 222/153.11  
 D550,079 S 9/2007 Yang  
 D553,003 S 10/2007 Baker et al.  
 D556,038 S 11/2007 Chupak  
 7,303,150 B2 12/2007 Hildebrand  
 D562,696 S 2/2008 Baker et al.  
 D562,697 S 2/2008 Baker et al.  
 D564,881 S 3/2008 Chupak  
 D565,948 S 4/2008 Maas et al.  
 D565,949 S 4/2008 Maas et al.  
 D567,082 S 4/2008 Hildebrand  
 D567,083 S 4/2008 Welp et al.  
 D567,652 S 4/2008 Binderbauer et al.  
 D567,653 S \* 4/2008 Binderbauer et al. .... D9/448  
 D571,204 S 6/2008 Sweeton  
 D571,205 S 6/2008 Sweeton  
 D571,206 S 6/2008 Sweeton  
 D573,021 S 7/2008 Ohshima

D573,463 S \* 7/2008 Ohshima ..... D9/448  
 D580,760 S \* 11/2008 Costa Quintas ..... D9/448  
 D581,269 S 11/2008 Alluigi  
 D582,279 S 12/2008 Darr et al.  
 D582,769 S 12/2008 Turchi  
 D582,770 S 12/2008 Turchi  
 D582,771 S 12/2008 Cantoni  
 D583,233 S 12/2008 Cantoni et al.  
 D583,669 S 12/2008 Seum et al.  
 D584,623 S 1/2009 Chupak  
 D584,958 S 1/2009 Schiesser  
 7,478,739 B2 1/2009 Foster  
 D587,137 S 2/2009 Hayden et al.  
 D587,574 S 3/2009 Cantoni et al.  
 D587,575 S 3/2009 Hildebrand  
 D588,004 S 3/2009 Hildebrand et al.  
 D588,454 S 3/2009 Sweeton et al.  
 D588,456 S 3/2009 Dejong et al.  
 D589,795 S \* 4/2009 Sweeton et al. .... D9/448  
 D592,060 S 5/2009 Chupak  
 D592,523 S 5/2009 Padain et al.  
 D596,048 S 7/2009 Hayden et al.  
 D599,667 S 9/2009 Gedmin  
 D601,897 S 10/2009 Contiero  
 7,621,468 B2 11/2009 Smith et al.  
 D609,109 S 2/2010 Gieske et al.  
 D615,404 S 5/2010 Pitzer et al.  
 D622,143 S \* 8/2010 Hildebrand ..... D9/448  
 D623,942 S 9/2010 Alluigi  
 D628,067 S 11/2010 Pearson et al.  
 7,850,046 B2 \* 12/2010 Carta ..... 222/153.13  
 D649,461 S \* 11/2011 Harrison et al. .... D9/500  
 D653,945 S \* 2/2012 Pearson et al. .... D9/448  
 2004/0245208 A1 12/2004 Dennison  
 2006/0113329 A1 \* 6/2006 Walters et al. .... 222/383.1  
 2006/0138176 A1 \* 6/2006 Lasserre et al. .... 222/321.8  
 2006/0186144 A1 8/2006 Tinsley  
 2007/0119870 A1 5/2007 Lasserre et al.  
 2007/0181606 A1 8/2007 Foster  
 2007/0246481 A1 10/2007 Sweeton  
 2008/0116222 A1 5/2008 Alluigi  
 2008/0223881 A1 9/2008 Clynes  
 2008/0272152 A1 11/2008 Alluigi  
 2008/0315018 A1 12/2008 Withers  
 2010/0059551 A1 3/2010 Tomkins et al.  
 2010/0140299 A1 6/2010 Sweeton et al.  
 2010/0276454 A1 \* 11/2010 Espinoza et al. .... 222/153.13

FOREIGN PATENT DOCUMENTS

AU 329745 S 2/2010  
 AU 329748 S 2/2010  
 AU 333298 S 10/2010  
 AU 333299 S 10/2010  
 CA 63328 5/1989  
 CA 122680 11/2007  
 CA 122681 11/2007  
 CA 122682 11/2007  
 CA 127035 4/2009  
 CN 3137597 2/2000  
 CN 3156654 8/2000  
 CN 3215194 12/2001  
 CN 3235358 5/2002  
 CN 3284305 3/2003  
 CN 3301614 6/2003  
 CN 3303072 6/2003  
 CN 3337844 \* 11/2003  
 CN 3394313 9/2004  
 CN 3493577 12/2005  
 CN 3562225 9/2006  
 CN 3568575 10/2006  
 CN 3577289 11/2006  
 CN 3592740 12/2006  
 CN 3597485 1/2007  
 CN 3612603 2/2007  
 CN 3612604 2/2007  
 CN 3630671 4/2007  
 CN 3677500 8/2007  
 CN 300686372 9/2007  
 CN 300695502 10/2007

# US D688,562 S

Page 3

---

CN	300697895	10/2007	JP	1150757	8/2002
CN	300812157	8/2008	JP	1150758	8/2002
CN	300852463	11/2008	JP	1150867	8/2002
CN	300899391	4/2009	JP	D1150759	* 8/2002
CN	300911974	4/2009	JP	1165974	2/2003
CN	301019901	9/2009	JP	1174015	5/2003
CN	301038099	10/2009	JP	1174183	5/2003
CN	301127764	2/2010	JP	1175381	6/2003
CN	301127772	2/2010	JP	1187943	10/2003
CN	301408570	12/2010	JP	1194037	1/2004
EC	001157853-0001	9/2010	JP	1199206	3/2004
EC	001157853-0003	9/2010	JP	1204914	5/2004
EC	001157853-0004	9/2010	JP	D1270555	* 5/2006
EC	001157853-0007	9/2010	JP	D1286454	* 11/2006
EC	001157853-0008	9/2010	JP	1286742	7/2007
EC	001157853-0009	9/2010	JP	1305668	3/2008
EM	001157853-0002	* 9/2010	JP	1327148	4/2008
JP	1117786	8/2001	JP	1327410	4/2008
JP	1117787	8/2001	JP	D1377762	* 1/2010
JP	1131621	1/2002	KR	3001218410000	11/1991
JP	1150200	8/2002	KR	3001218420000	11/1991
JP	1150201	8/2002	WO	2010013908	2/2010
JP	1150211	8/2002	WO	2011030232	3/2011
JP	1150746	8/2002			
JP	1150756	8/2002			

\* cited by examiner

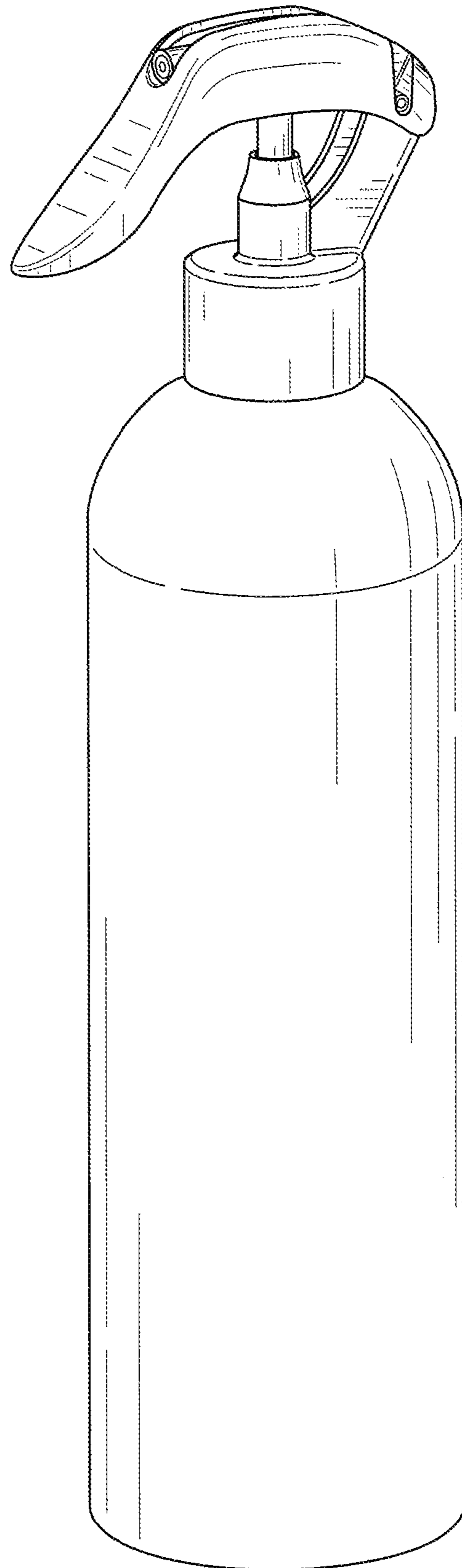


FIG. 1

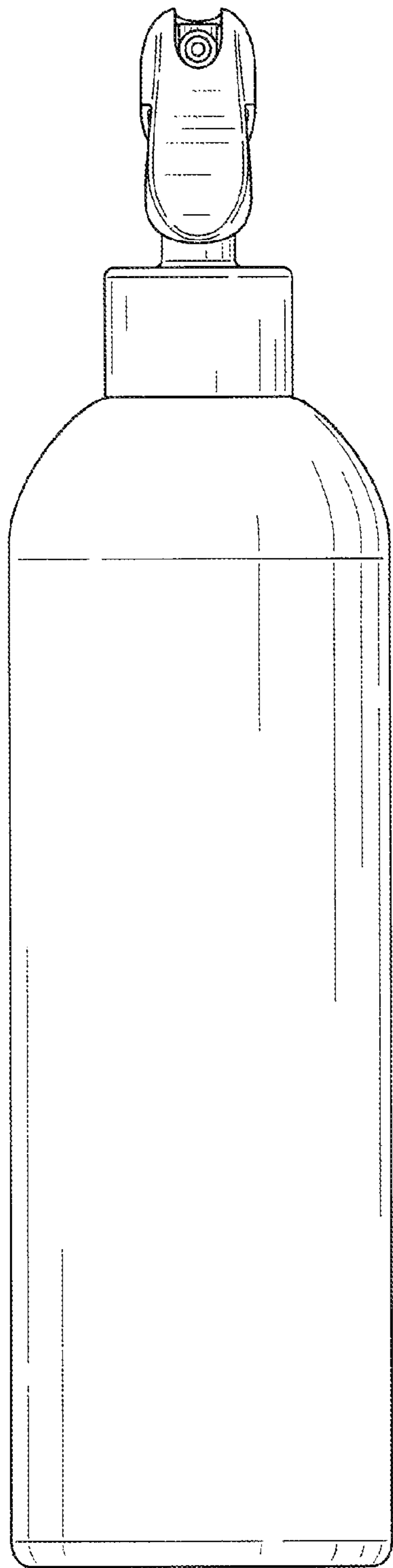


FIG. 2

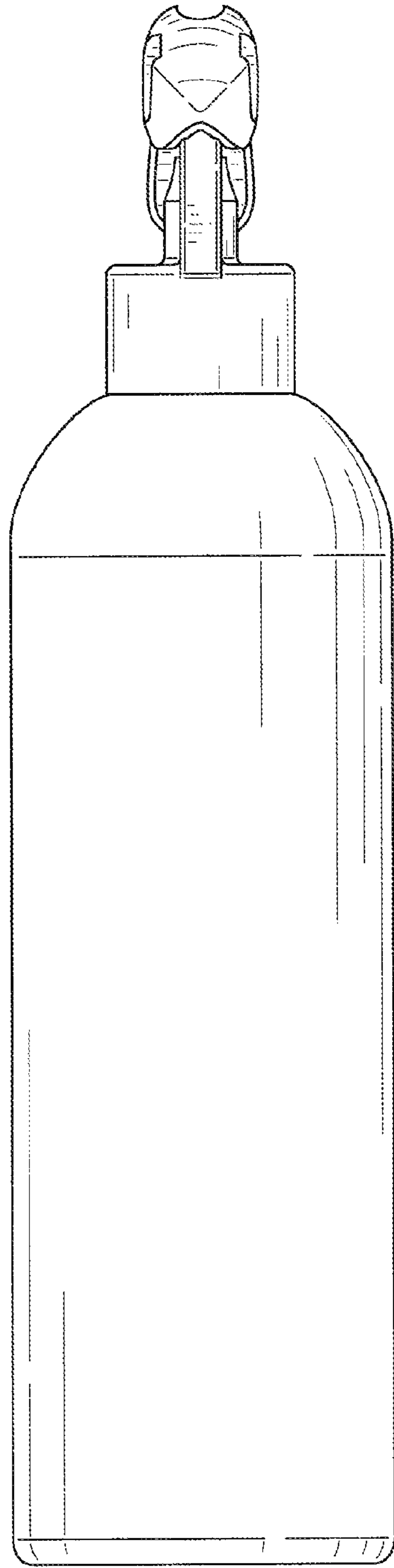


FIG. 3

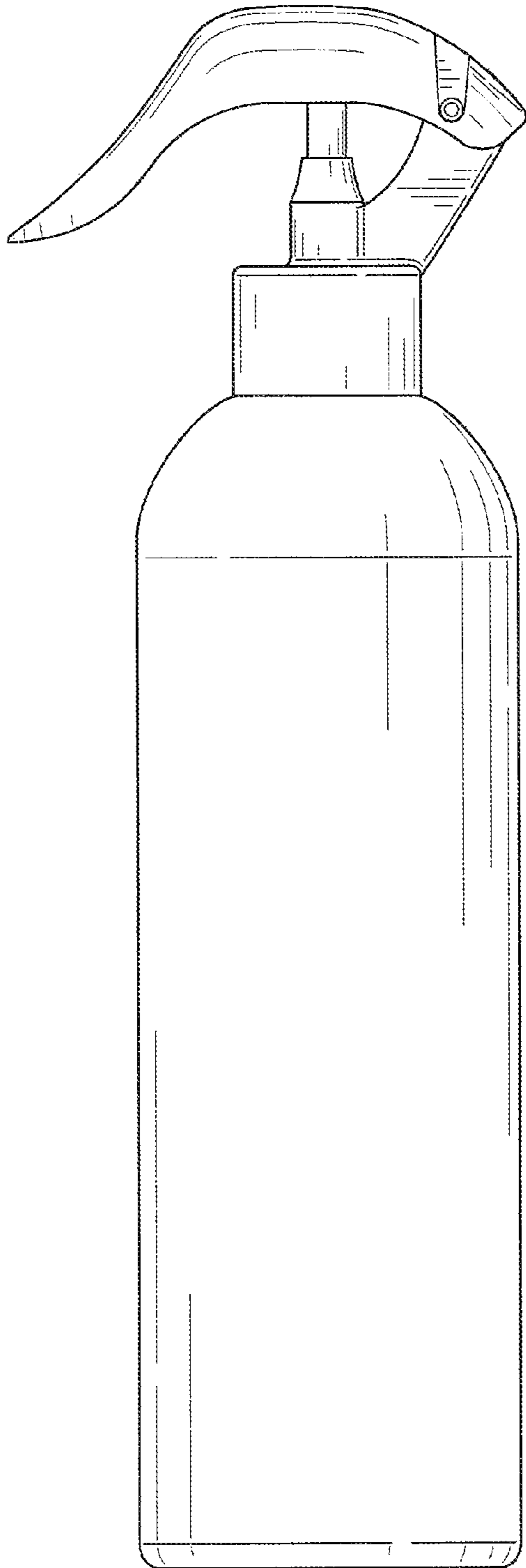


FIG. 4

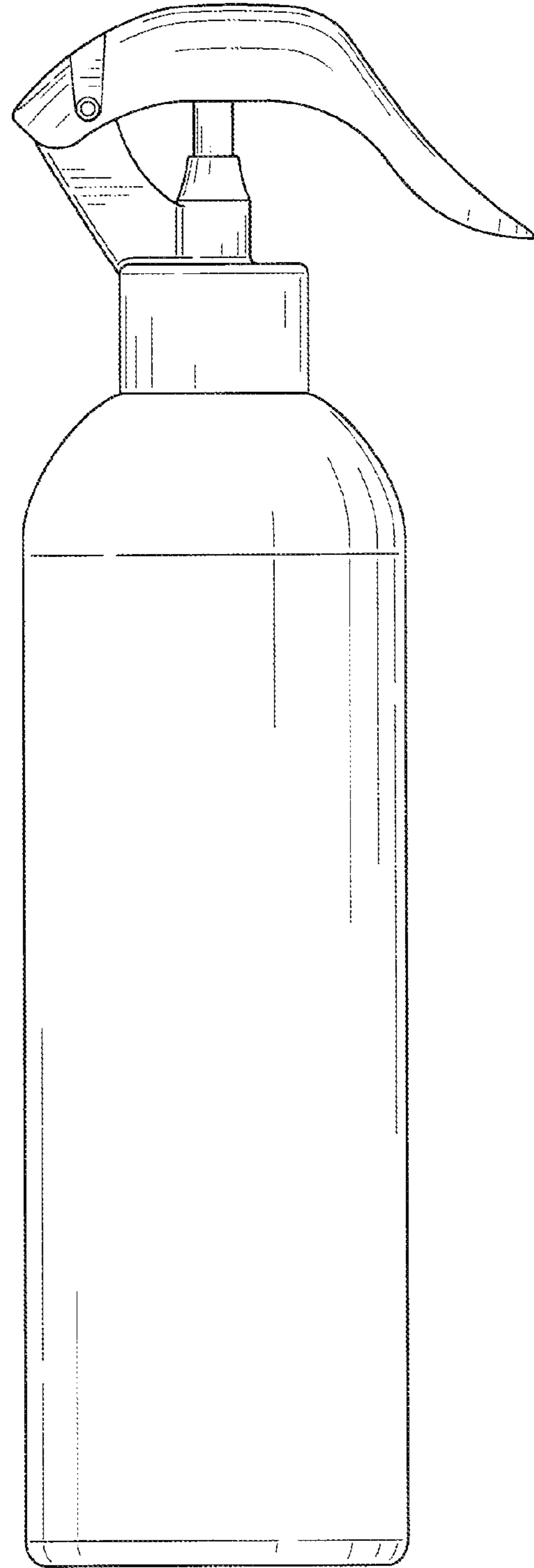


FIG. 5

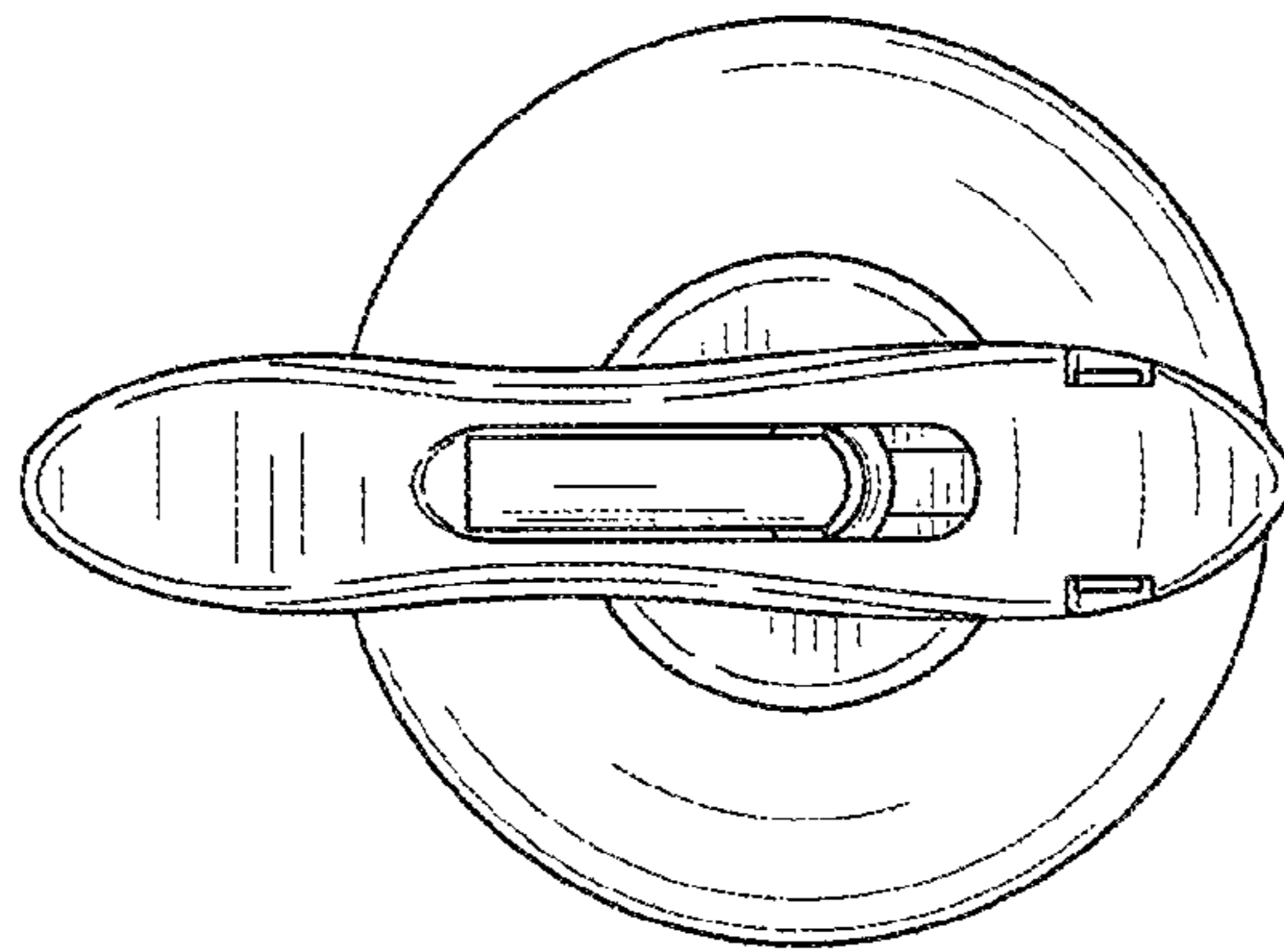


FIG. 6

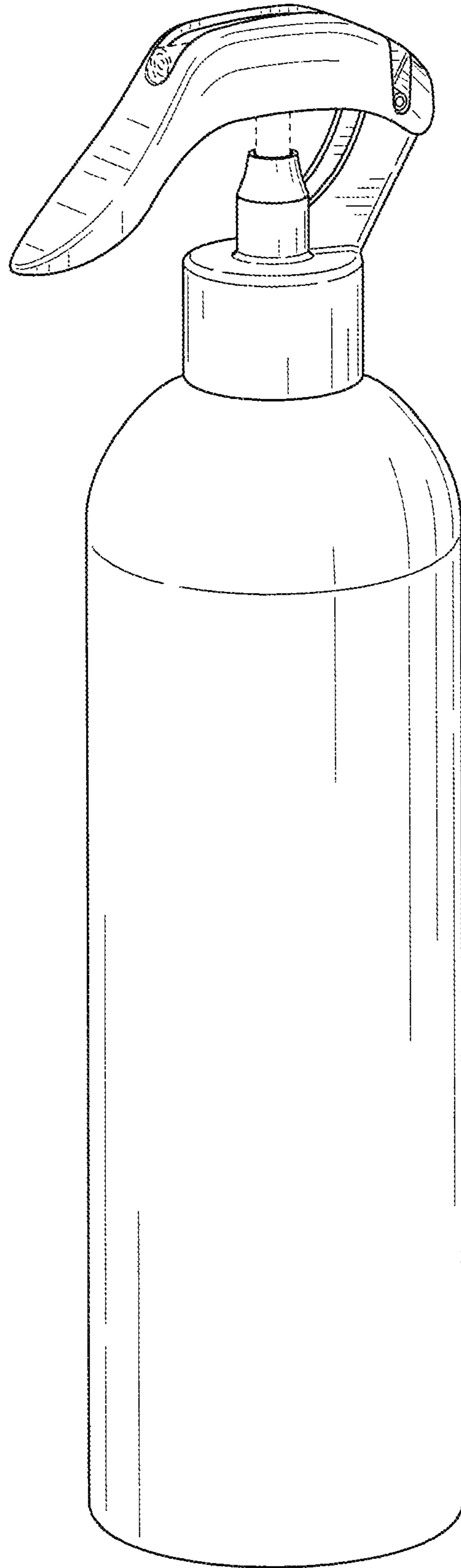


FIG. 7



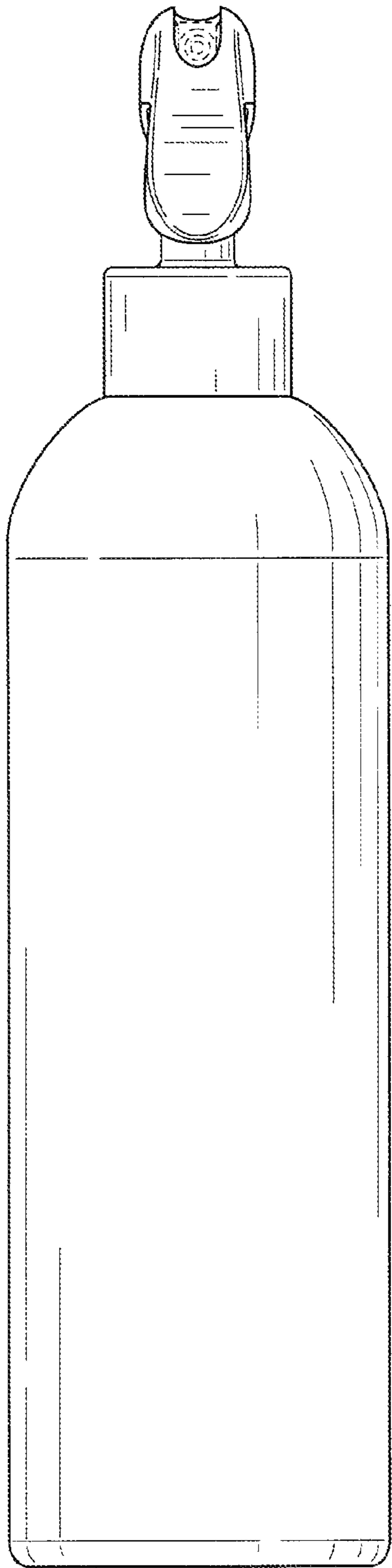


FIG. 8

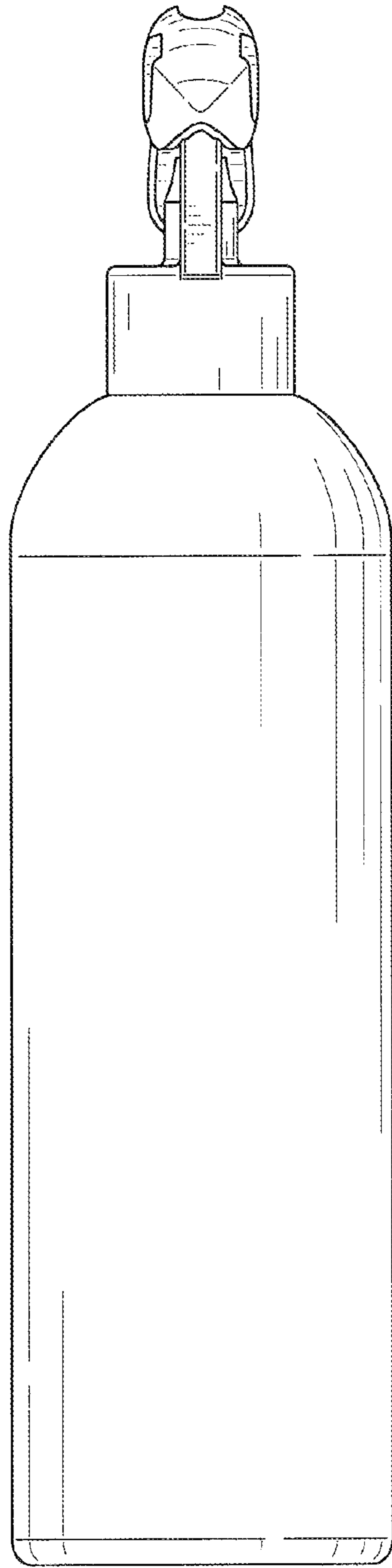


FIG. 9

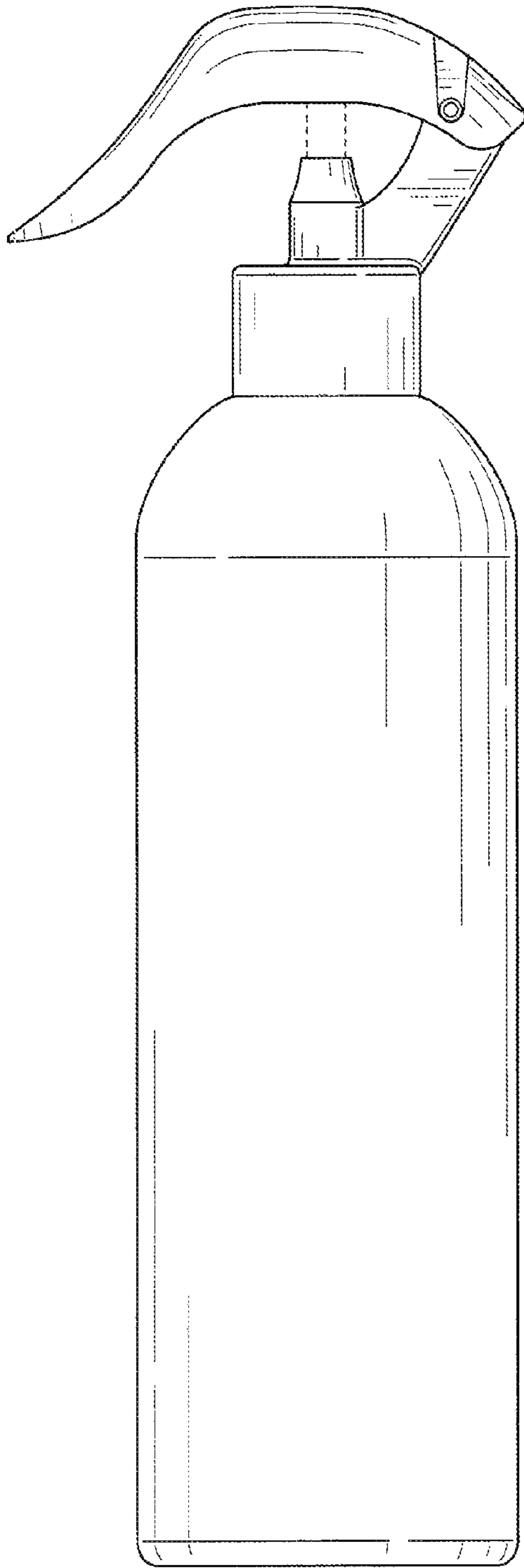


FIG. 10

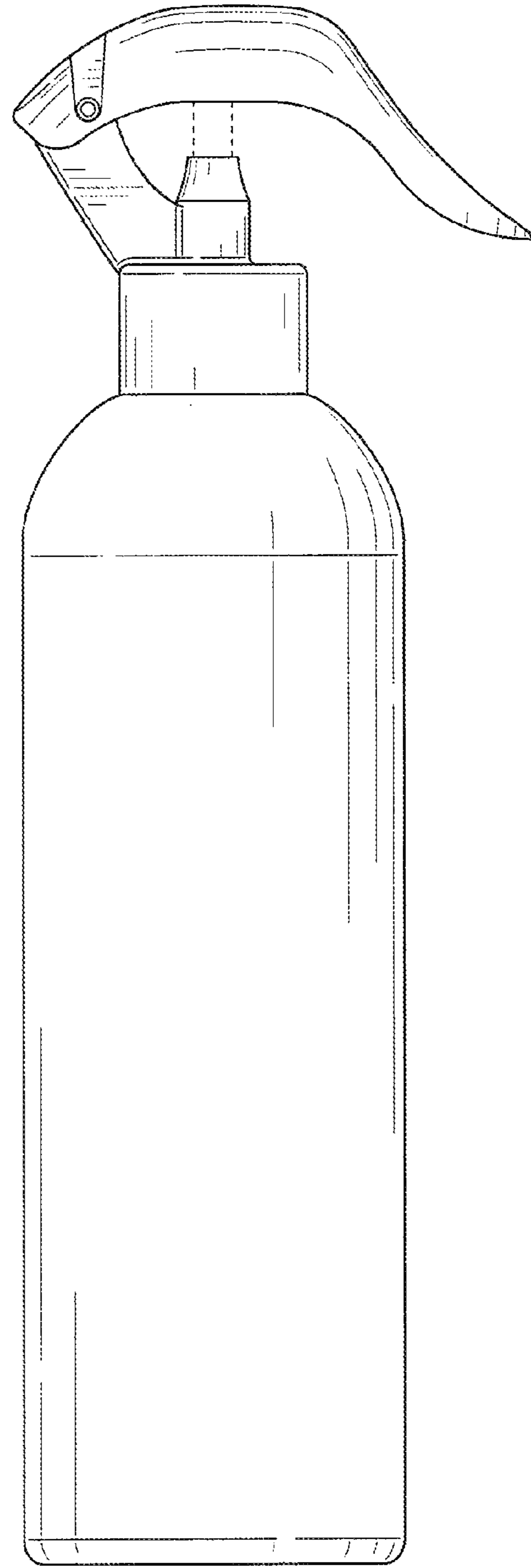


FIG. 11

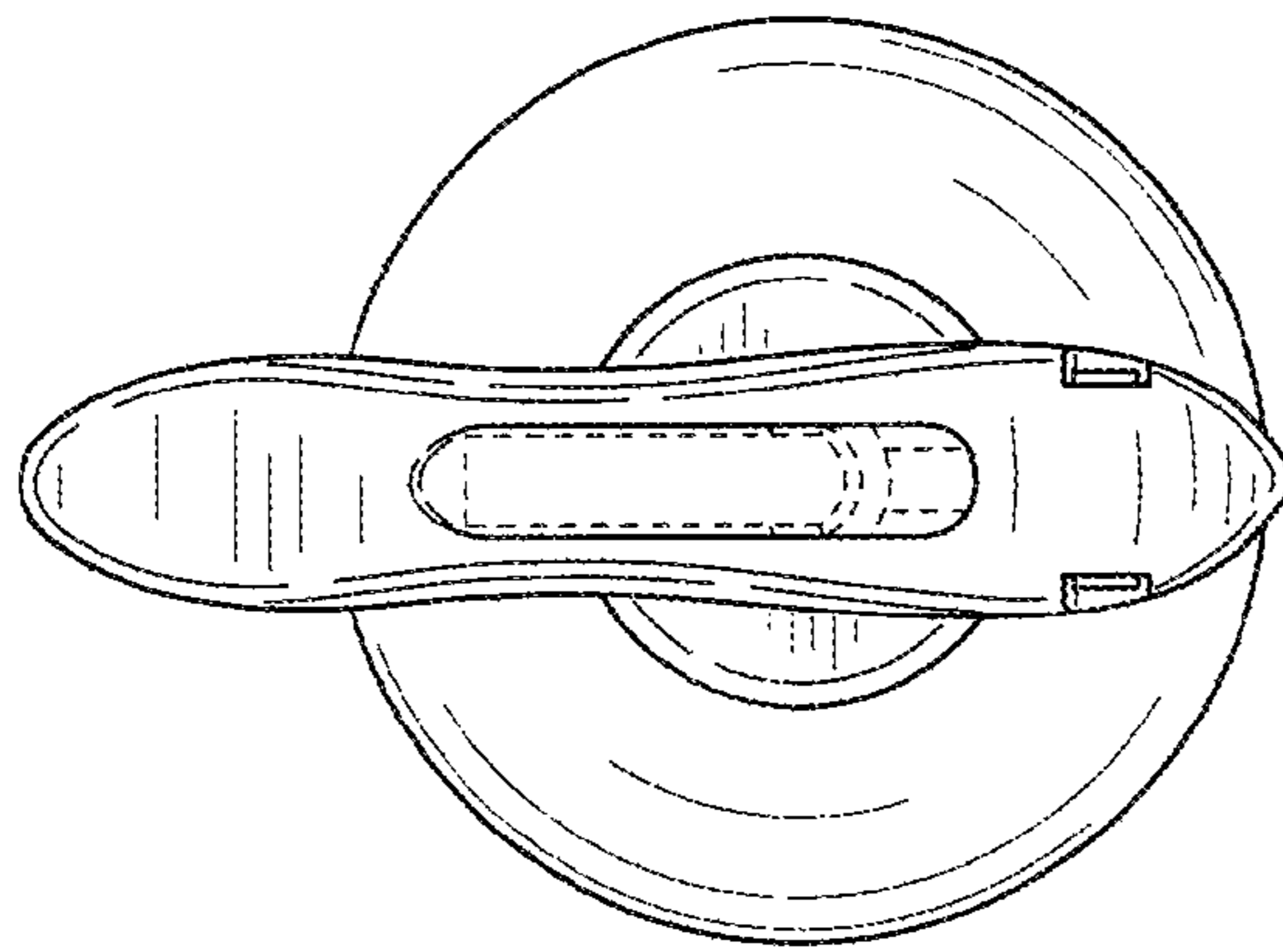


FIG. 12