



US00D688560S

(12) **United States Design Patent**
Kwon

(10) **Patent No.:** **US D688,560 S**

(45) **Date of Patent:** **** Aug. 27, 2013**

(54) **COVER FOR PACKAGING BOX**

(75) Inventor: **Seong-Min Kwon**, Yongin-si (KR)

(73) Assignee: **Samsung Electronics Co., Ltd.**,
Suwon-Si (KR)

(**) Term: **14 Years**

(21) Appl. No.: **29/408,441**

(22) Filed: **Dec. 13, 2011**

(30) **Foreign Application Priority Data**

Sep. 15, 2011 (KR) 30-2011-0038355

(51) **LOC (9) Cl.** **09-01**

(52) **U.S. Cl.**
USPC **D9/600; D9/434**

(58) **Field of Classification Search**
USPC D9/600, 414, 430-434; 206/494,
206/457, 527; 215/400; 220/890; 229/116.1
See application file for complete search history.

(56) **References Cited**

U.S. PATENT DOCUMENTS

D659,012 S * 5/2012 Subler D9/434

* cited by examiner

Primary Examiner — Sandra Morris

(74) *Attorney, Agent, or Firm* — Staas & Halsey LLP

(57) **CLAIM**

The ornamental design for a cover for packaging box, as shown and described.

DESCRIPTION

FIG. 1 is a front perspective view of a cover for packaging box;

FIG. 2 is a front view of the cover for packaging box of FIG. 1;

FIG. 3 is a rear view of the cover for packaging box of FIG. 1;

FIG. 4 is a left-side view of the cover for packaging box of FIG. 1;

FIG. 5 is a right-side view of the cover for packaging box of FIG. 1;

FIG. 6 is a top plan view of the cover for packaging box of FIG. 1;

FIG. 7 is a bottom plan view of the cover for packaging box of FIG. 1; and,

FIG. 8 is a perspective view of the cover for packaging box of FIG. 1.

The broken line showing of FIGS. 1-8 are for the purpose of illustrating the present invention and forms no part of the claimed design.

1 Claim, 8 Drawing Sheets

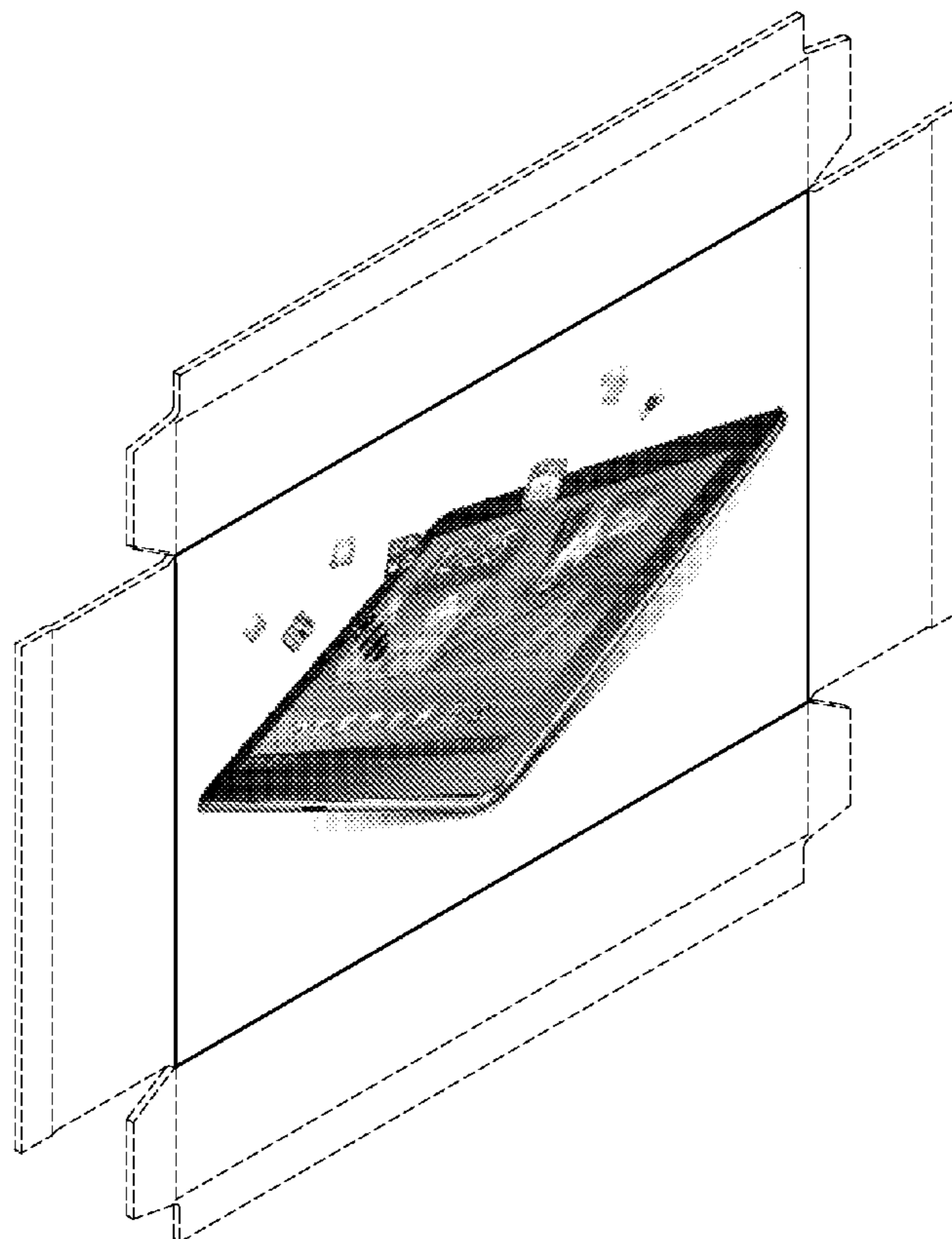


FIG. 1

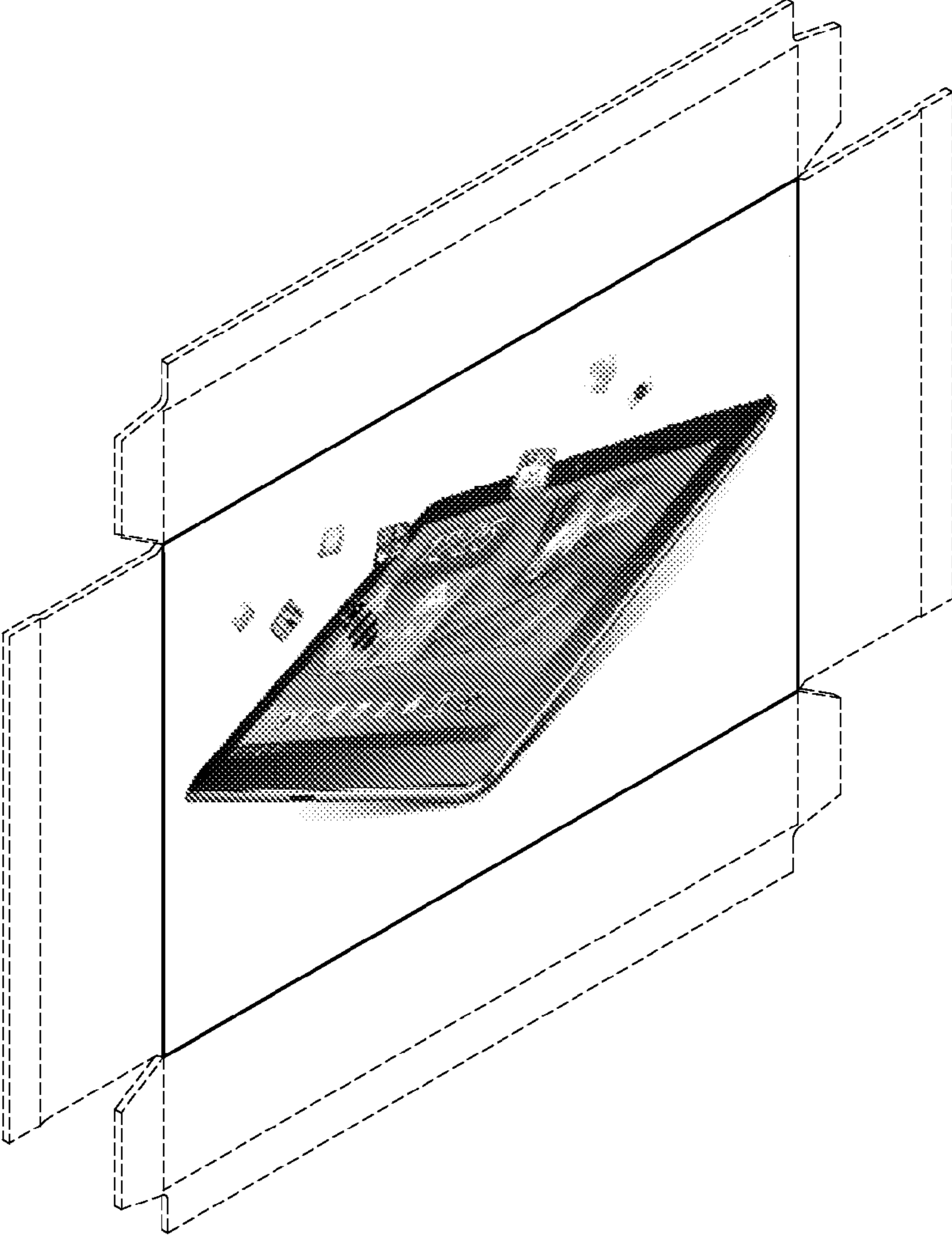


FIG. 2

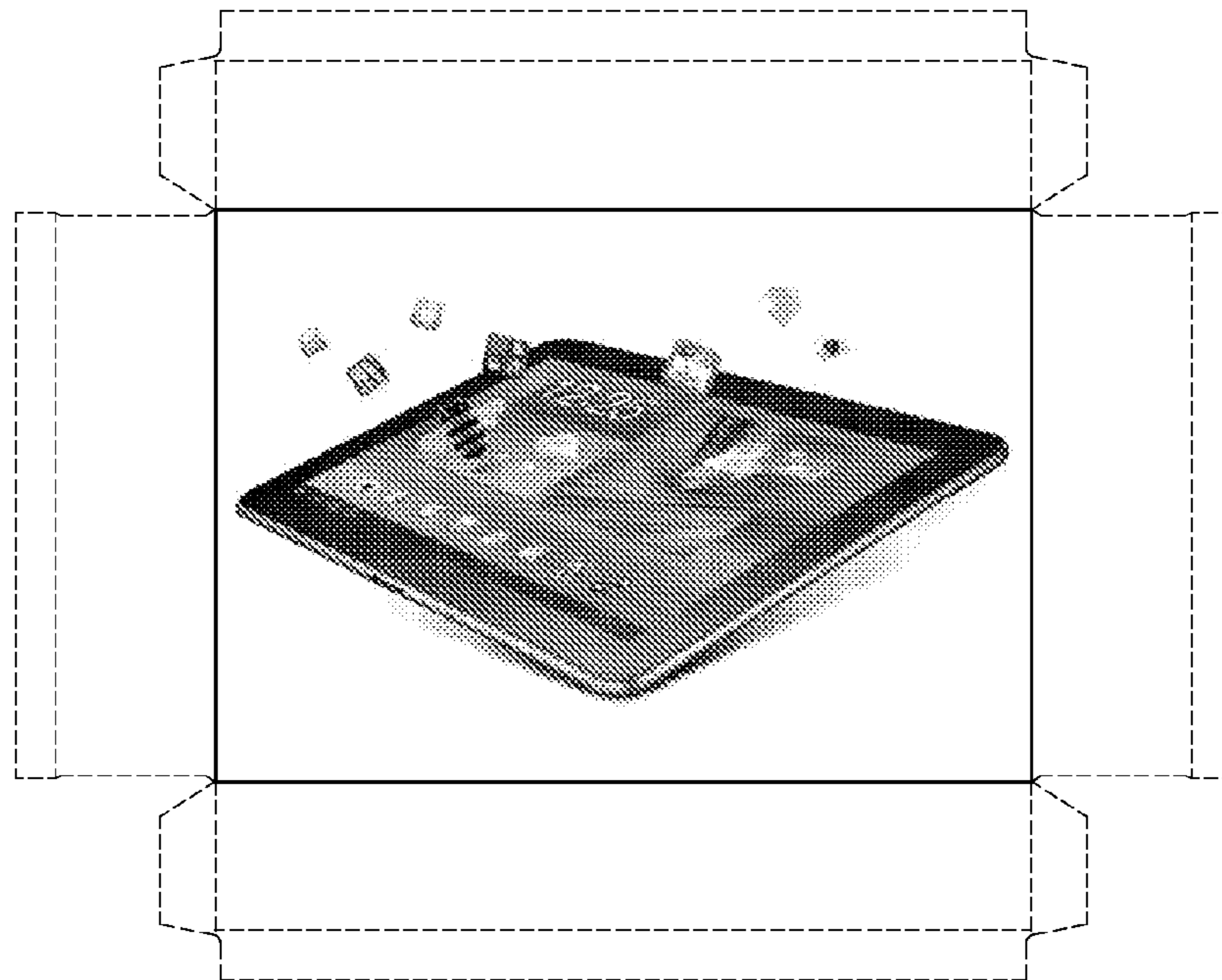


FIG. 3

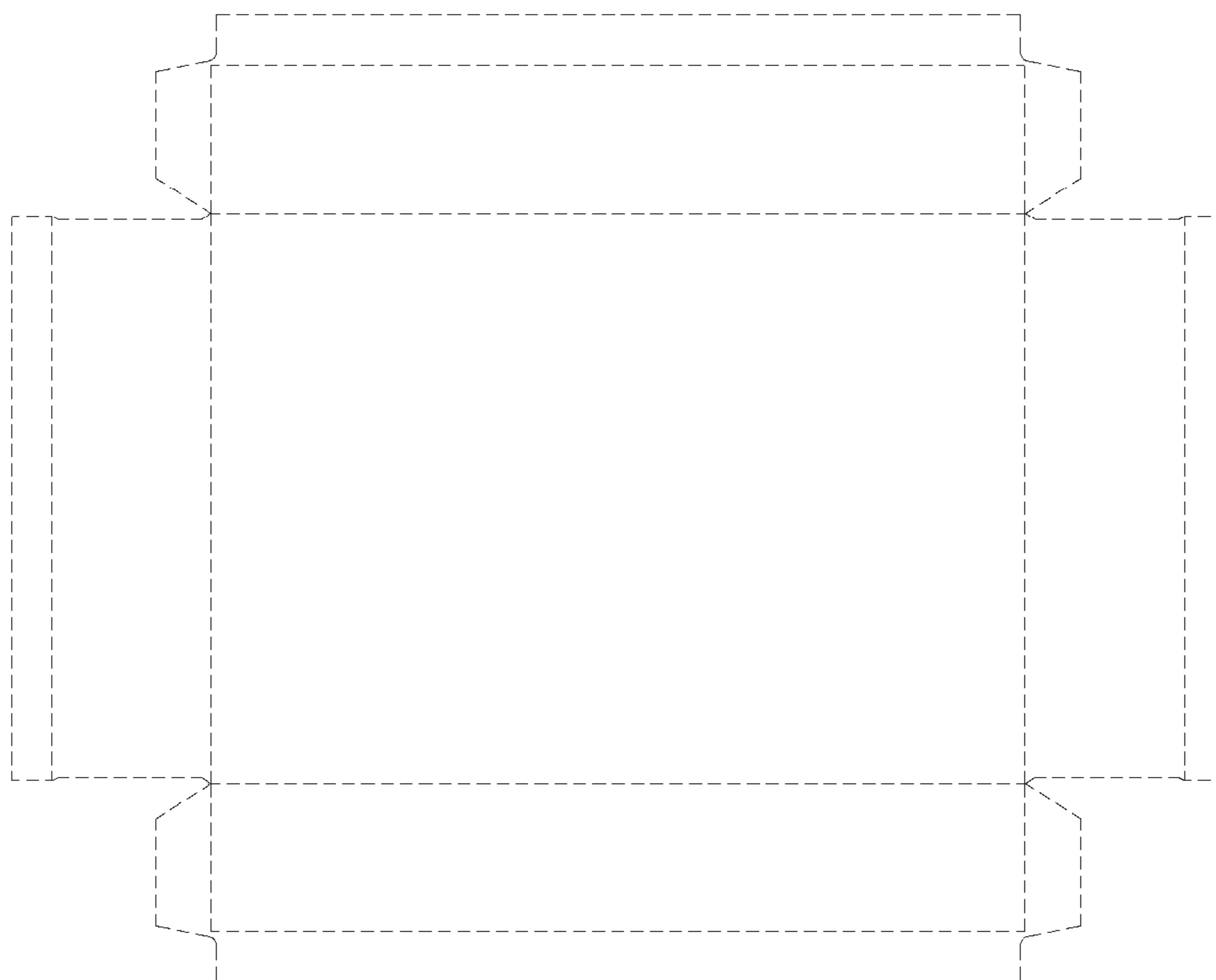


FIG. 4



FIG. 5



FIG. 6

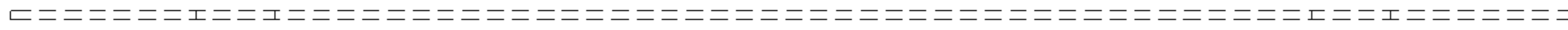


FIG. 7

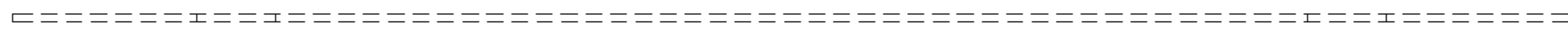


FIG. 8

