



US00D688559S

(12) **United States Design Patent**
Fleischhacker

(10) **Patent No.:** **US D688,559 S**

(45) **Date of Patent:** **** Aug. 27, 2013**

(54) **CONTAINER BODY PORTION**

(75) Inventor: **Kyle Fleischhacker**, Brownstown, MI (US)

(73) Assignee: **Plastipak Packaging, Inc.**, Plymouth, MI (US)

(**) Term: **14 Years**

(21) Appl. No.: **29/397,702**

(22) Filed: **Jul. 20, 2011**

(51) **LOC (9) Cl.** **09-01**

(52) **U.S. Cl.**

USPC **D9/543; D9/563; D9/575**

(58) **Field of Classification Search**

USPC D9/414, 424, 430, 432, 529-530,
D9/542-543, 563-565, 572-575; D7/590,
D7/629, 703, 705, 708; 215/379, 381-384
See application file for complete search history.

(56) **References Cited**

U.S. PATENT DOCUMENTS

D312,968	S	*	12/1990	Wolff	D9/431
D407,974	S	*	4/1999	Zimmer et al.	D9/428
D433,947	S	*	11/2000	Ewing, Jr.	D9/543
D473,140	S	*	4/2003	Gilliam et al.	D9/428
D475,628	S	*	6/2003	Walsh et al.	D9/530
D485,494	S	*	1/2004	Walsh et al.	D9/529
D487,018	S	*	2/2004	Walsh et al.	D9/530
6,772,904	B1	*	8/2004	Gilliam et al.	220/836
6,889,866	B2	*	5/2005	Gilliam et al.	215/383 X
D530,617	S	*	10/2006	Little et al.	D9/543
D543,466	S		5/2007	Little et al.		
D543,467	S		5/2007	Dorn		
D553,988	S	*	10/2007	Perry et al.	D9/516
D555,487	S	*	11/2007	Perry et al.	D9/575 X
D576,035	S	*	9/2008	Perry et al.	D9/516 X
D578,401	S	*	10/2008	Perry et al.	D9/543
D586,217	S		2/2009	Pedmo et al.		

D600,131	S	*	9/2009	Perry et al.	D9/564 X
D605,041	S	*	12/2009	Perry et al.	D9/516
D623,064	S	*	9/2010	Salmon et al.	D9/524
D640,926	S	*	7/2011	Turchi et al.	D9/529
D646,577	S	*	10/2011	Turchi et al.	D9/539
D646,966	S	*	10/2011	Gill et al.	D9/424
D651,860	S	*	1/2012	Nie	D7/629 X
D653,105	S	*	1/2012	Degeyter et al.	D9/425
D676,739	S	*	2/2013	McGrath et al.	D9/414
2004/0011811	A1	*	1/2004	McLelland et al.	222/109
2006/0207963	A1	*	9/2006	Little et al.	215/384
2010/0108670	A1		5/2010	Perry et al.		
2010/0308044	A1		12/2010	Perry et al.		
2010/0308066	A1		12/2010	Perry et al.		

* cited by examiner

Primary Examiner — Carol P Rademaker

(74) *Attorney, Agent, or Firm* — Mario A. Tabone

(57) **CLAIM**

The ornamental design for a container body portion, as shown and described.

DESCRIPTION

FIG. 1 is a top, front, right side perspective of a container body portion showing my new design;

FIG. 2 is a front elevational view thereof;

FIG. 3 is a rear elevational view thereof;

FIG. 4 is a left side elevational view thereof;

FIG. 5 is a right side elevational view thereof;

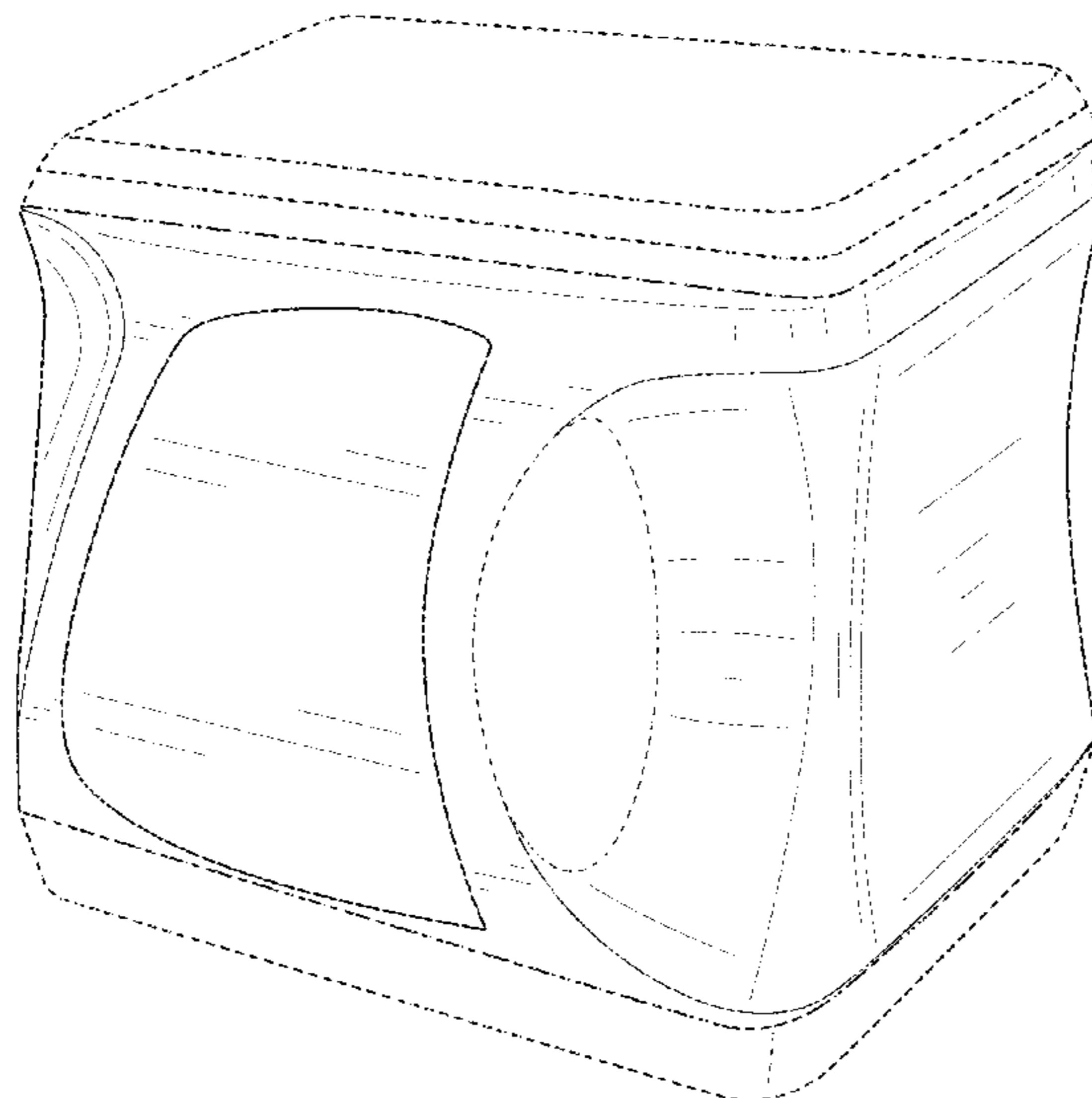
FIG. 6 is a top plan view thereof; and,

FIG. 7 is a bottom plan view thereof.

The dash-dash-dash-dash broken lines shown in the drawings are included for the purpose of illustrating environmental structure and form no part of the claimed design.

The dot-dash-dot-dash broken lines shown in the drawings are included for the purpose of defining the top and bottom boundaries of the claimed design.

1 Claim, 6 Drawing Sheets



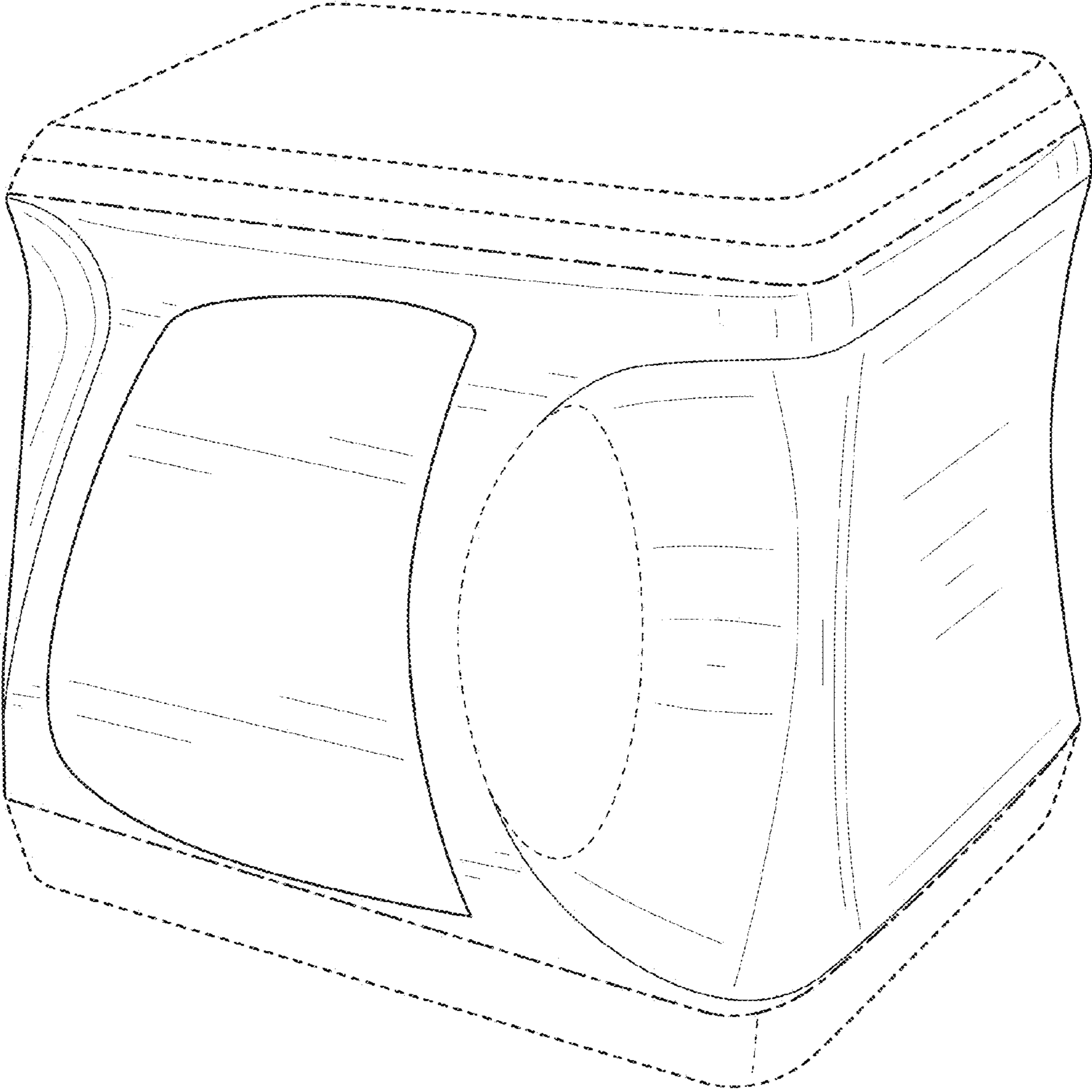


FIG. 1

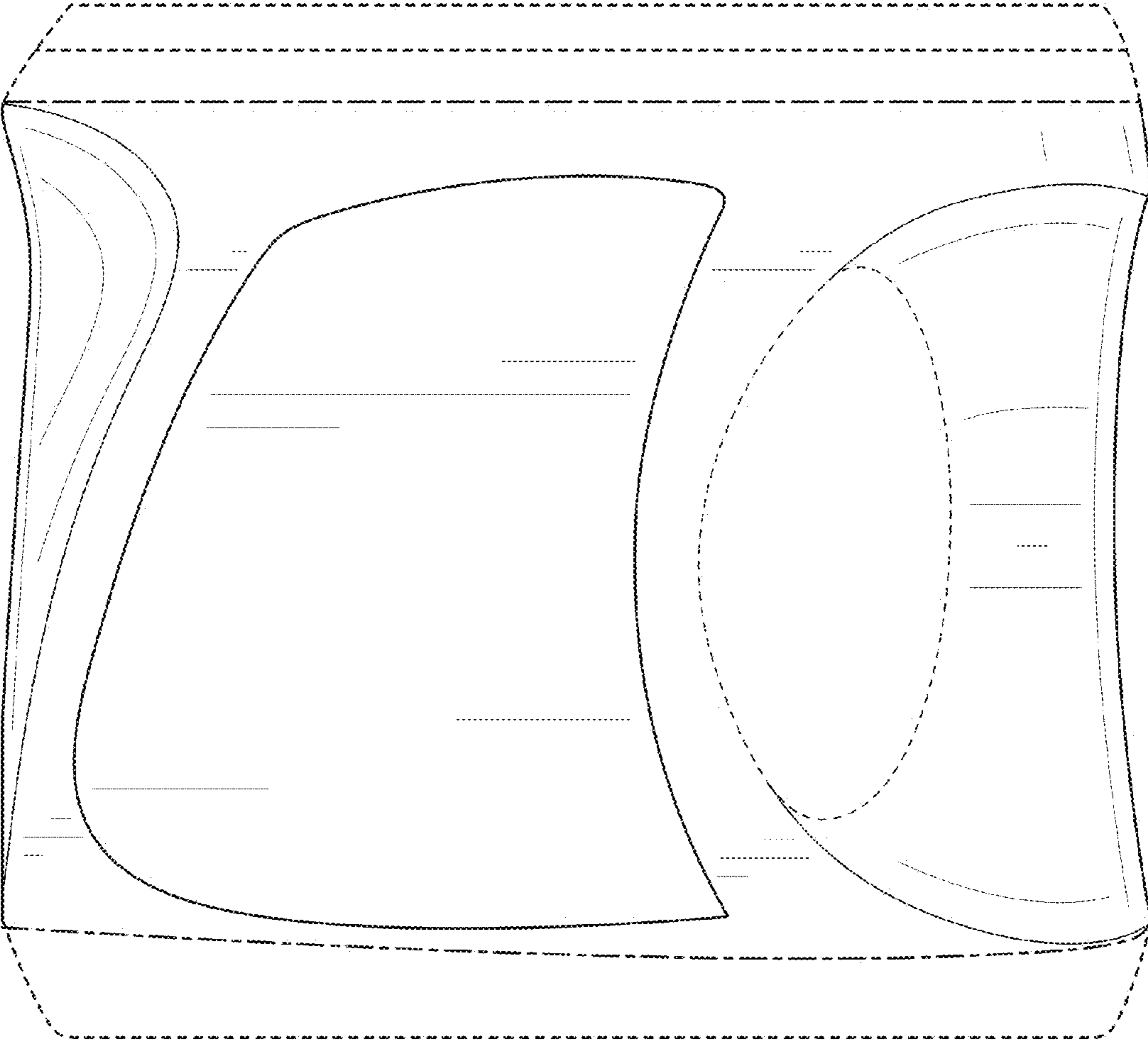


FIG. 2

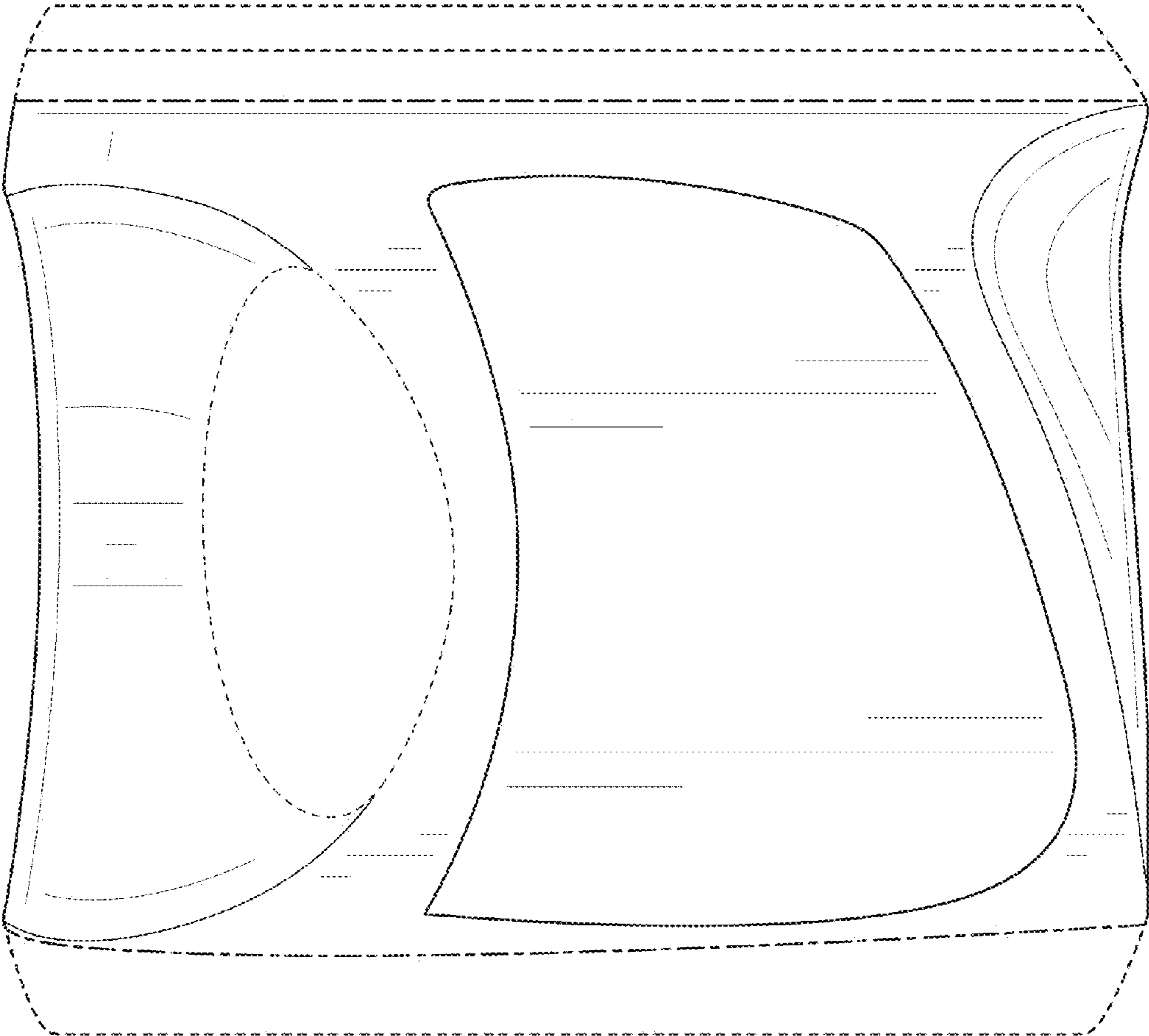


FIG. 3

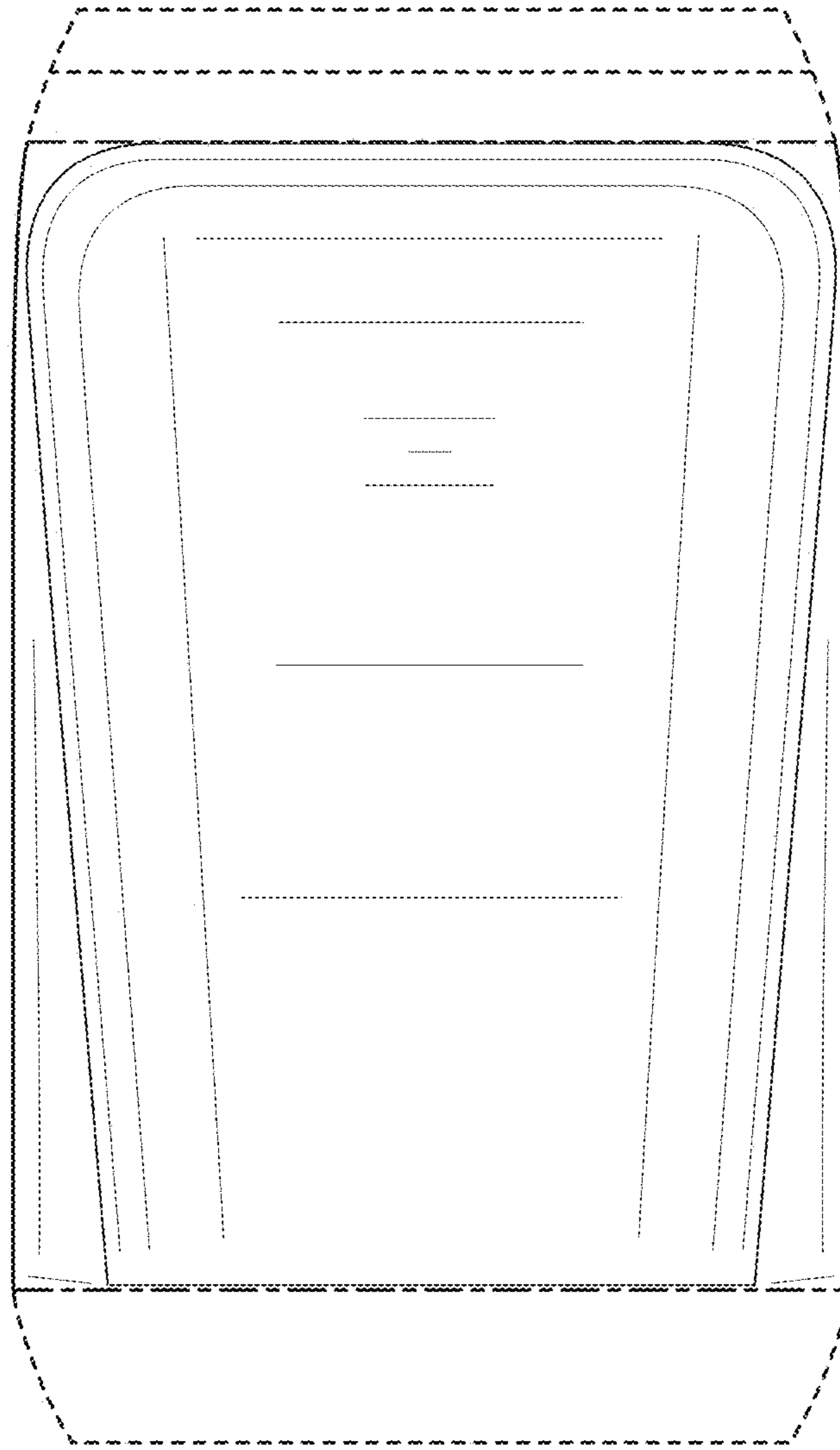


FIG. 4

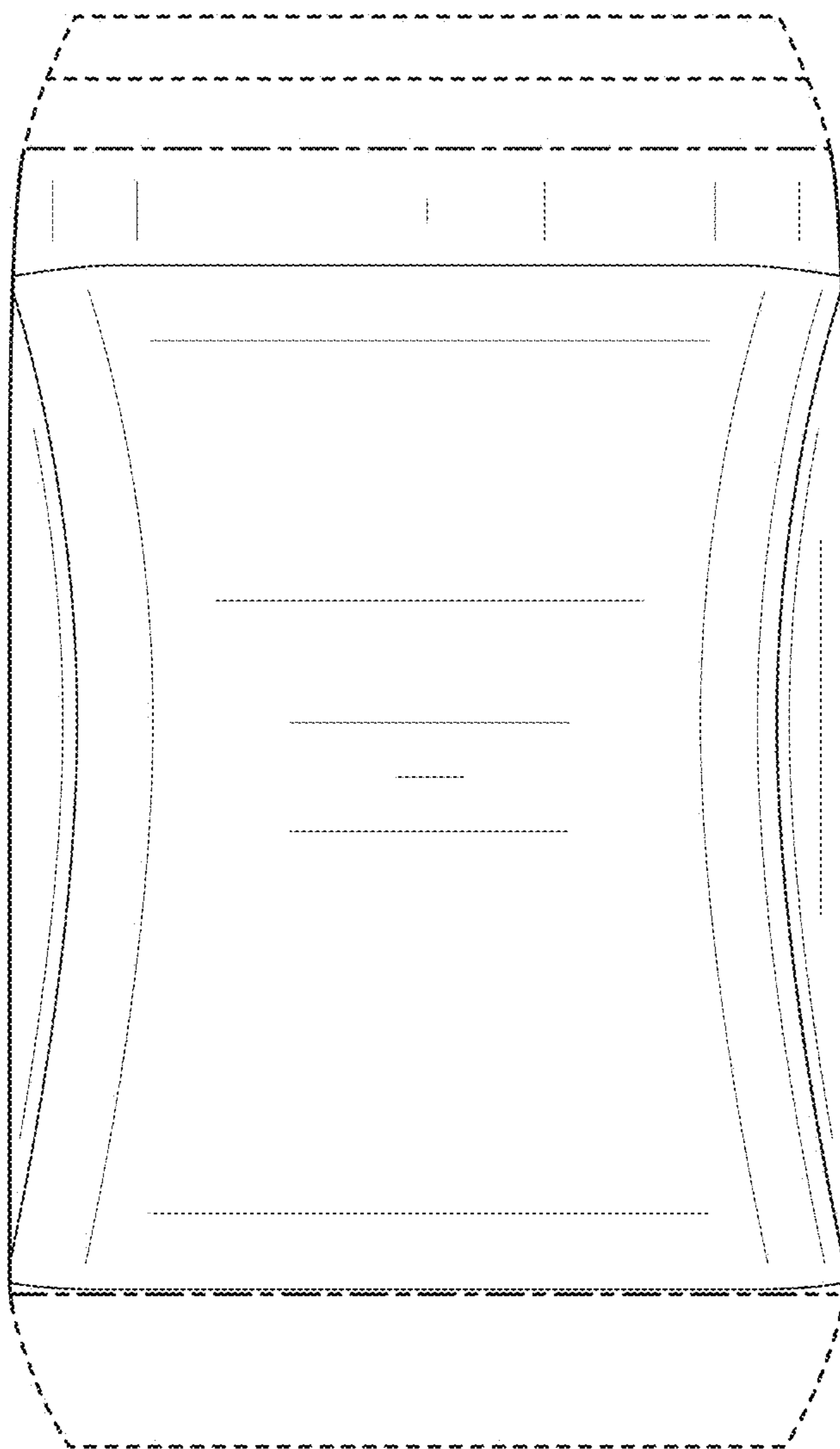


FIG. 5

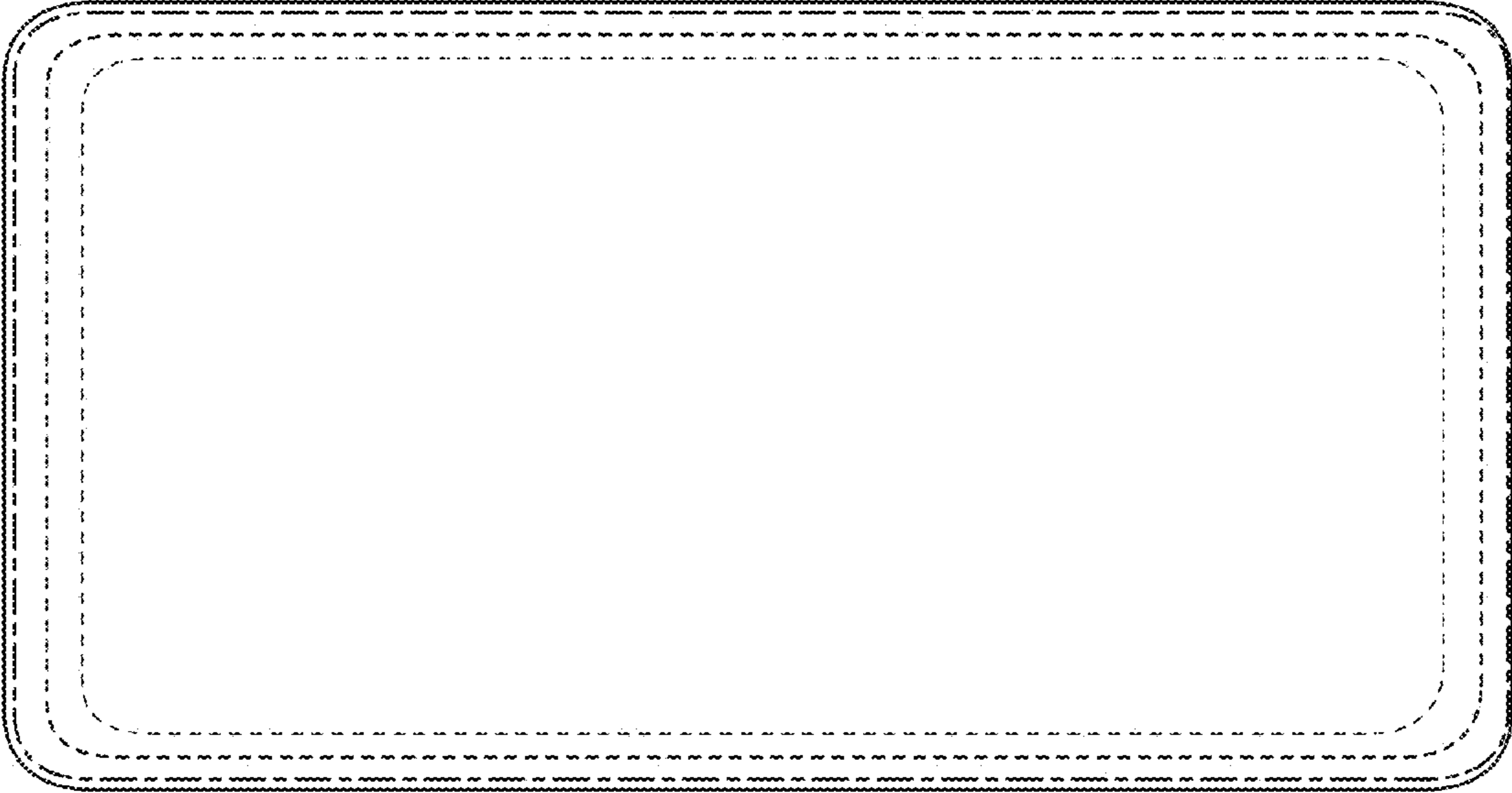


FIG. 6



FIG. 7