



US00D688557S

(12) **United States Design Patent**  
**Caporin et al.**

(10) **Patent No.:** **US D688,557 S**

(45) **Date of Patent:** **\*\* Aug. 27, 2013**

(54) **BOTTLE**

(75) Inventors: **Nicholas J. Caporin**, Little Elm, TX (US); **Jeffrey Kissinger**, Wadsworth, OH (US); **Christopher E. Kamiinski**, Northfield Center, OH (US); **Marc A. Pedmo**, Litchfield, OH (US)

(73) Assignees: **Mott's LLP**, Plano, TX (US); **Plastipak Packaging, Inc.**, Plymouth, MI (US)

(\*\*) Term: **14 Years**

(21) Appl. No.: **29/390,874**

(22) Filed: **Apr. 29, 2011**

(51) **LOC (9) Cl.** ..... **09-01**

(52) **U.S. Cl.**

USPC ..... **D9/516; D9/502**

(58) **Field of Classification Search**

USPC ..... D9/516, 502-505, 529-530, 545, D9/552, 558, 565, 539, 543, 571, 574, 537, D9/688-692, 500, 549; 215/382-385, 381; 220/660, 669, 675

See application file for complete search history.

(56) **References Cited**

**U.S. PATENT DOCUMENTS**

777,477	A *	12/1904	Lord	.....	215/383
D46,090	S *	7/1914	Goldberg	.....	D9/545
D48,370	S *	1/1916	Goldberg	.....	D9/545
D272,888	S *	3/1984	Wells	.....	D9/504
D281,577	S	12/1985	Larson et al.		

D282,349	S	1/1986	Larson et al.		
D286,614	S *	11/1986	Melville	.....	D9/504
4,993,565	A *	2/1991	Ota et al.	.....	215/384
D383,067	S	9/1997	Gower et al.		
D414,414	S	9/1999	Larson et al.		
D421,220	S	2/2000	Larson et al.		
D469,021	S *	1/2003	Wurster et al.	.....	D9/549
D472,811	S *	4/2003	Deubel et al.	.....	D9/502
D484,415	S *	12/2003	Hadtke et al.	.....	D9/502
D643,291	S *	8/2011	Haskins	.....	D9/502
2013/0134125	A1 *	5/2013	Pedmo	.....	215/381

\* cited by examiner

*Primary Examiner* — Wan Laymon

(74) *Attorney, Agent, or Firm* — Michael Woods

(57) **CLAIM**

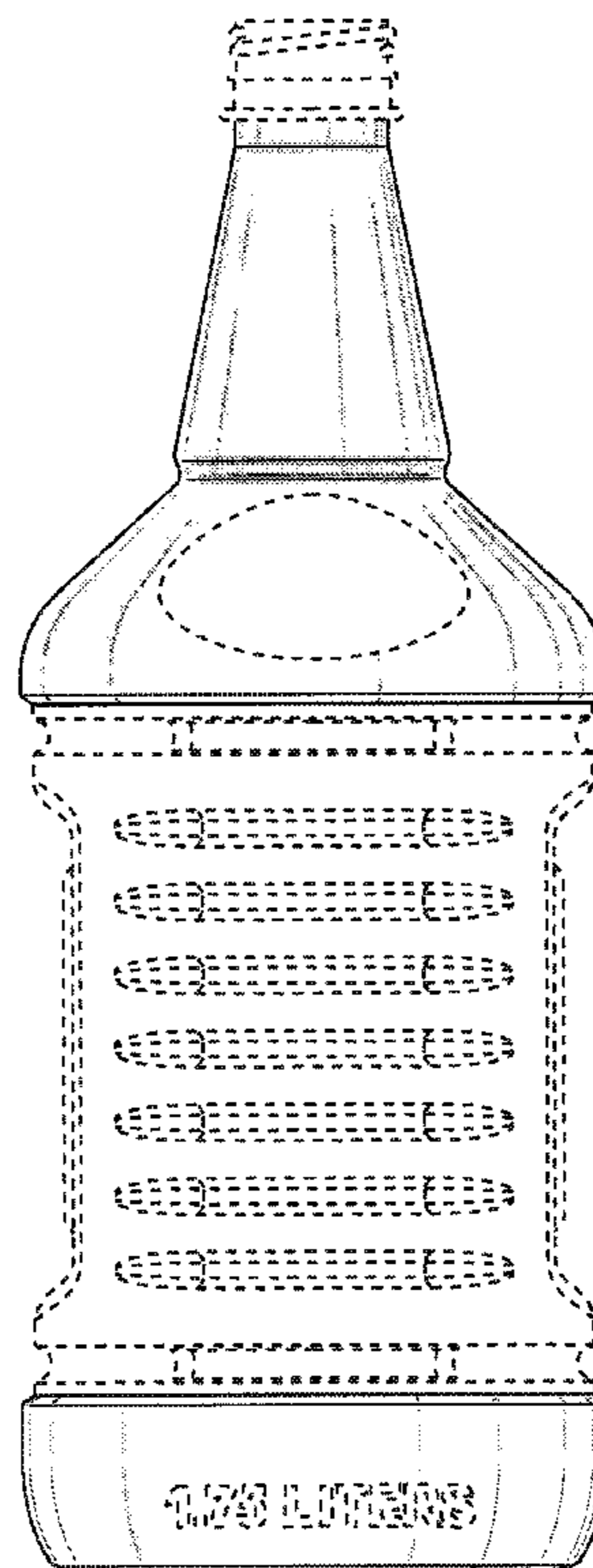
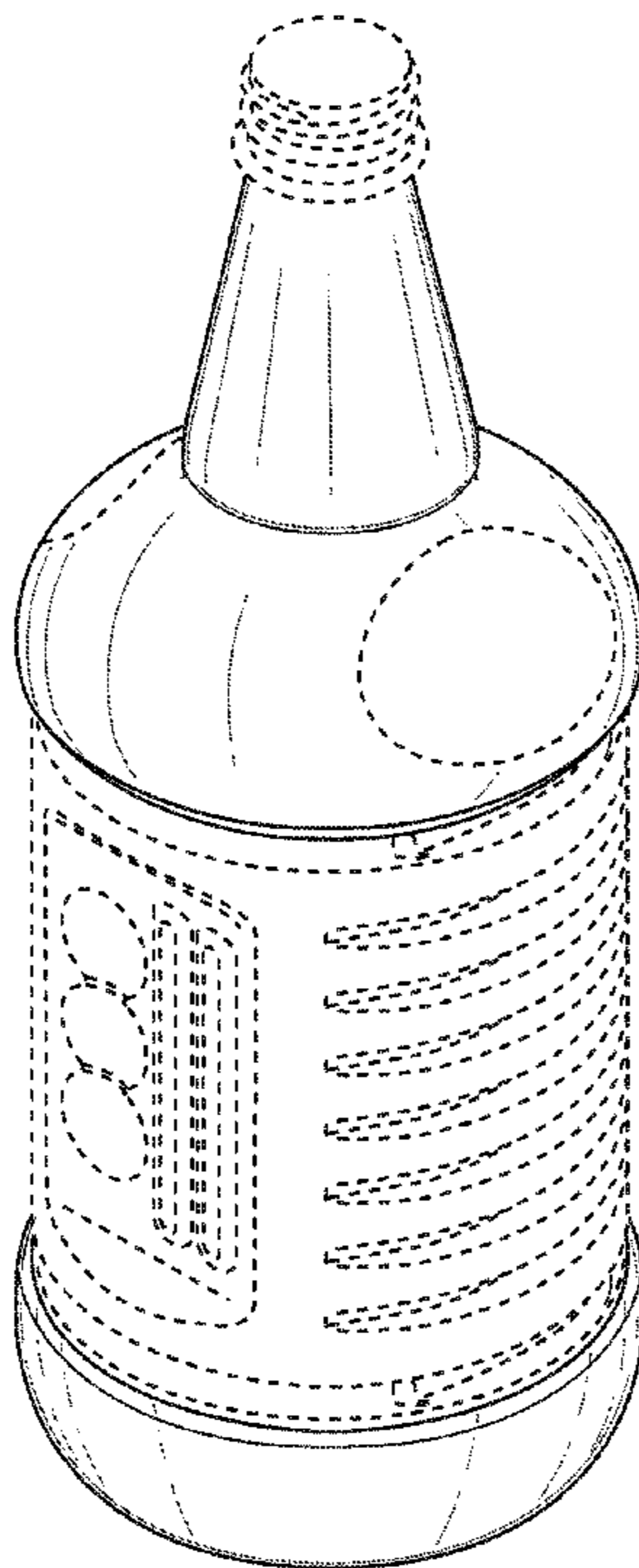
We claim the ornamental design for a bottle, as shown and described.

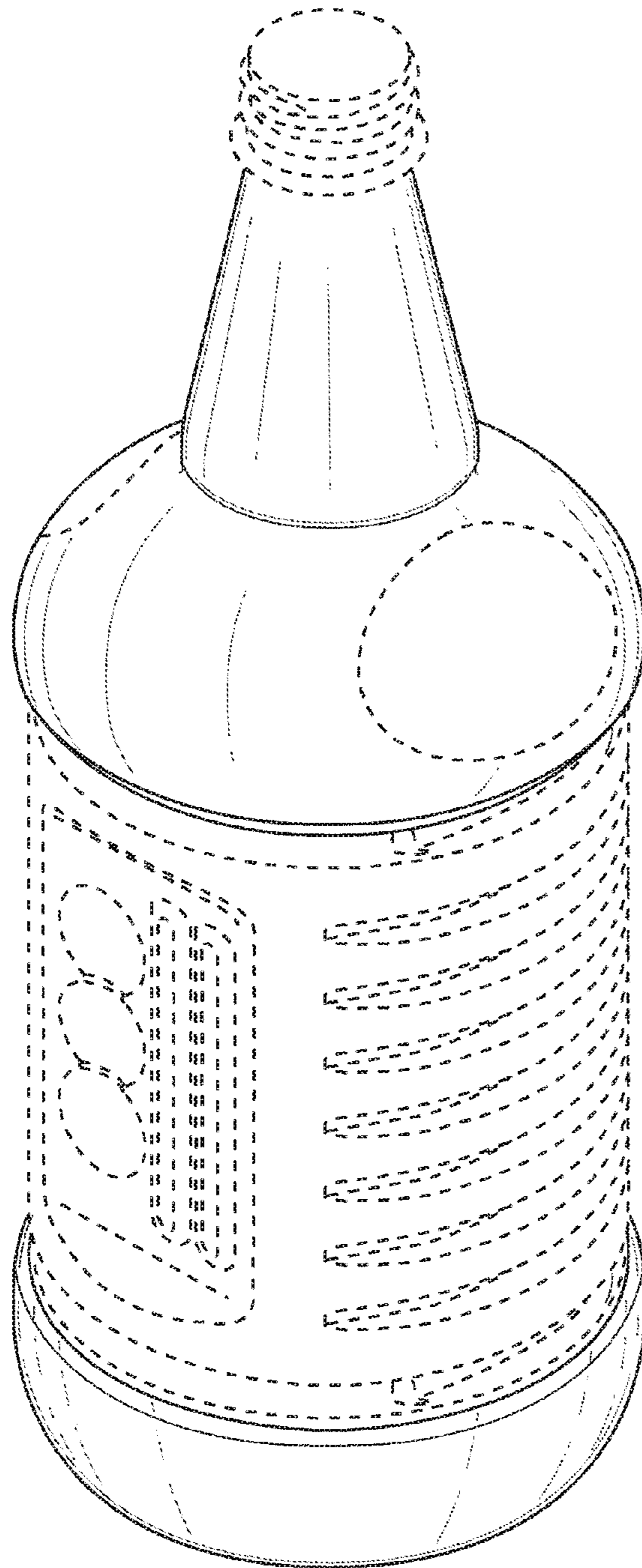
**DESCRIPTION**

FIG. 1 is top, front, and left side perspective view of the new design for a bottle;  
FIG. 2 is a front view of the design;  
FIG. 3 is a left view of the design;  
FIG. 4 is a rear view of the design;  
FIG. 5 is a right view of the design;  
FIG. 6 is a bottom plan view of the design; and,  
FIG. 7 is a top plan view of the design.

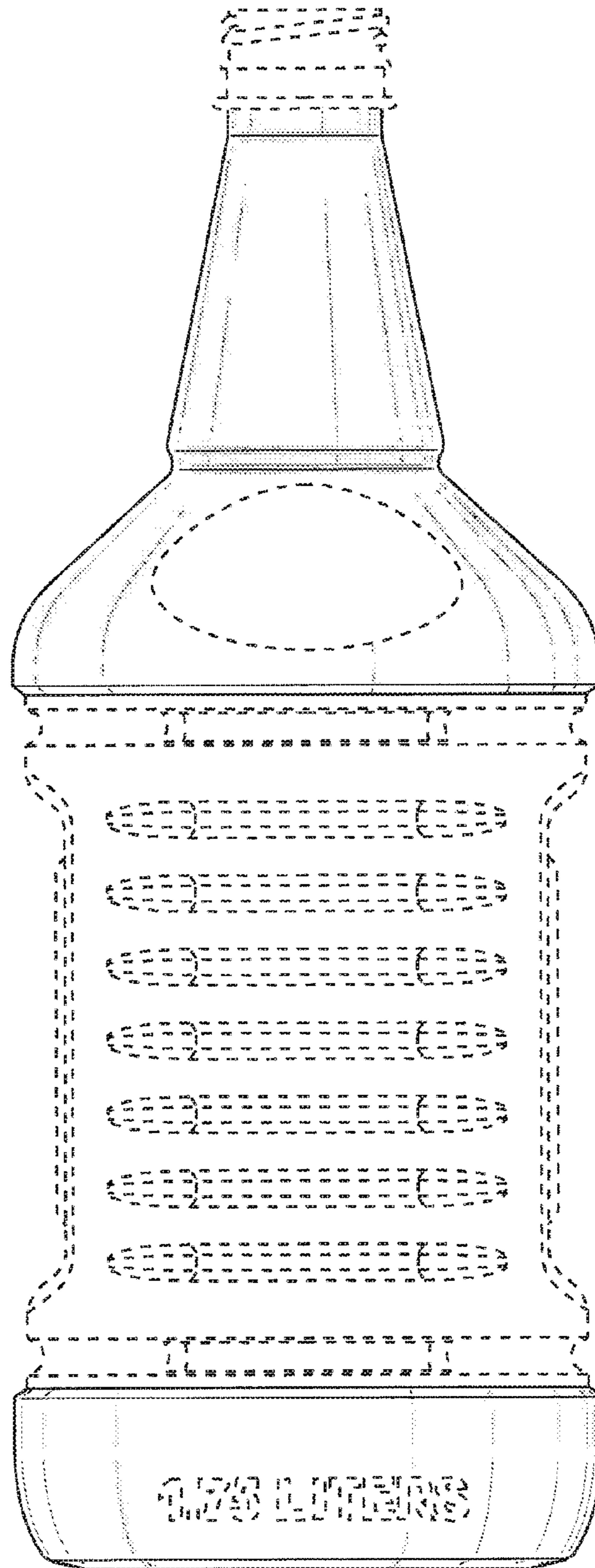
The broken lines immediately adjacent the shaded areas represent the bounds of the claimed design while all other broken lines represent environment and are for illustrative purposes only; the broken lines form no part of the claimed design.

**1 Claim, 6 Drawing Sheets**

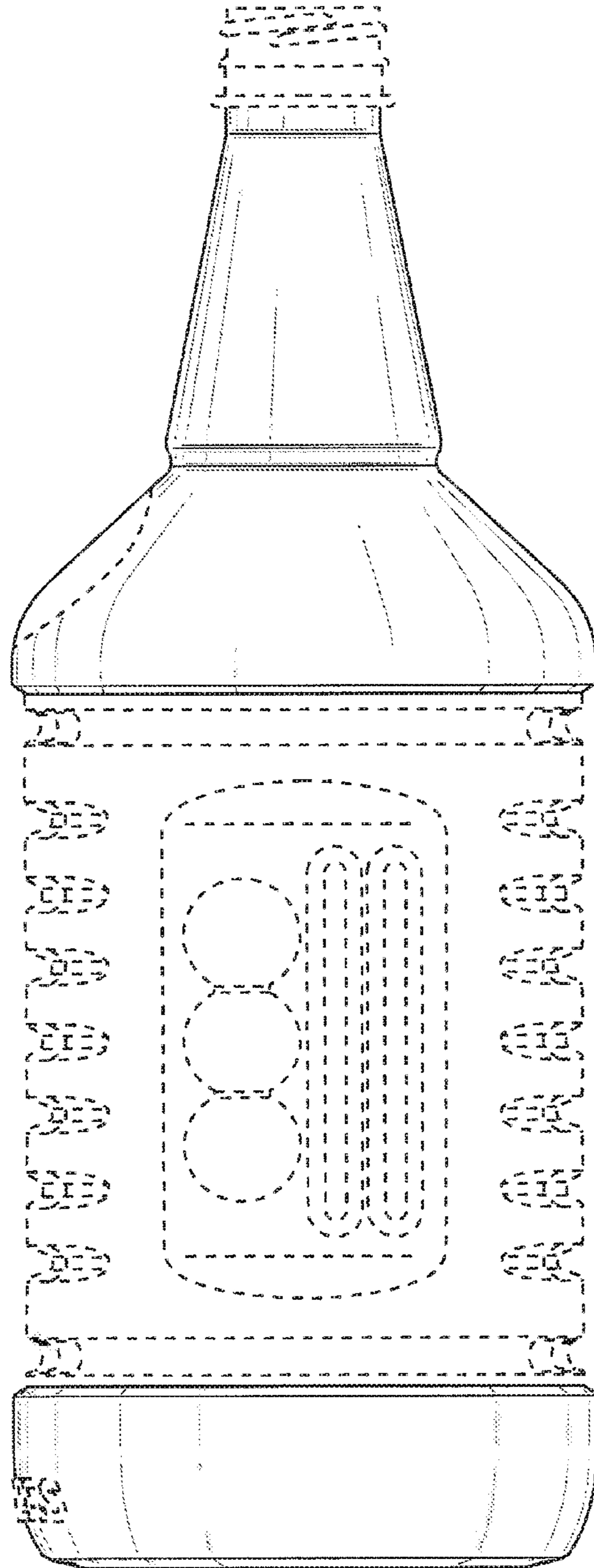




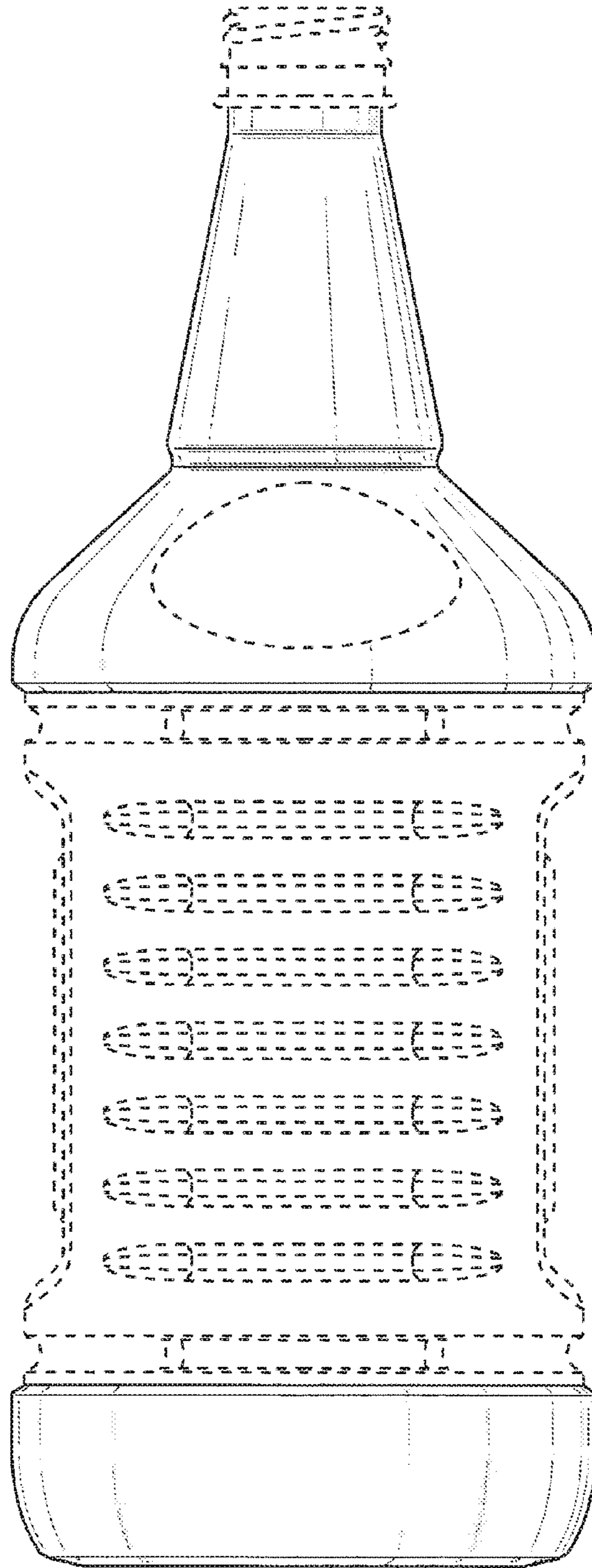
**FIG. 1**



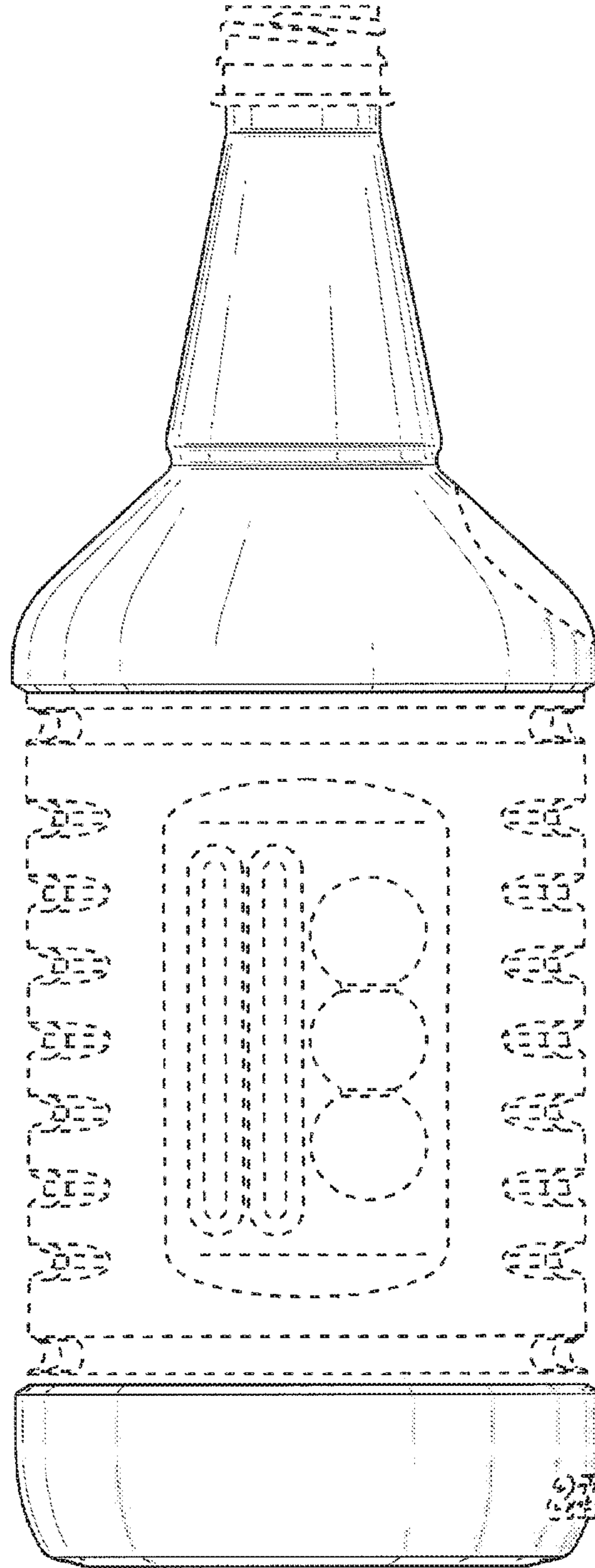
**FIG. 2**



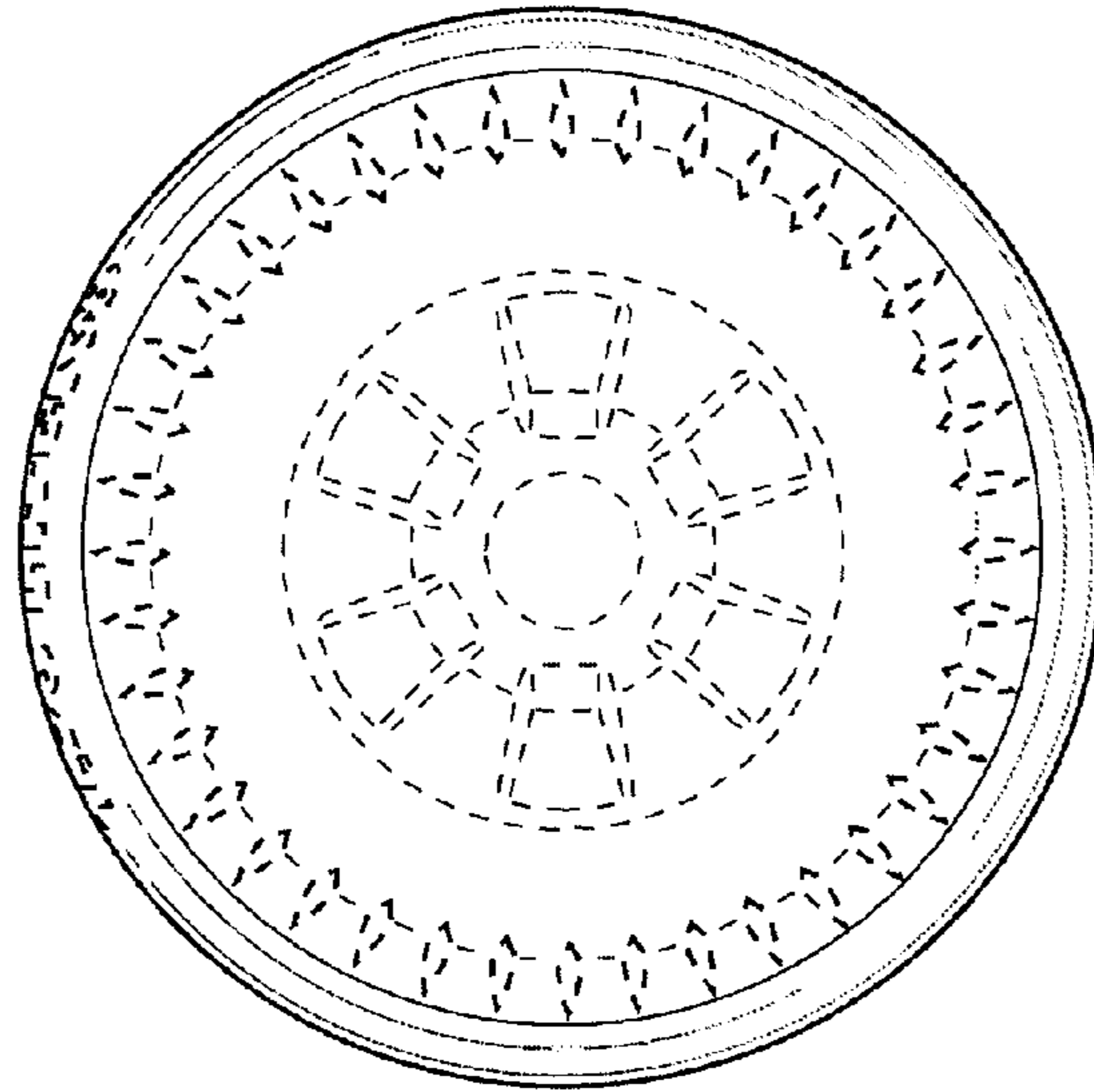
**FIG. 3**



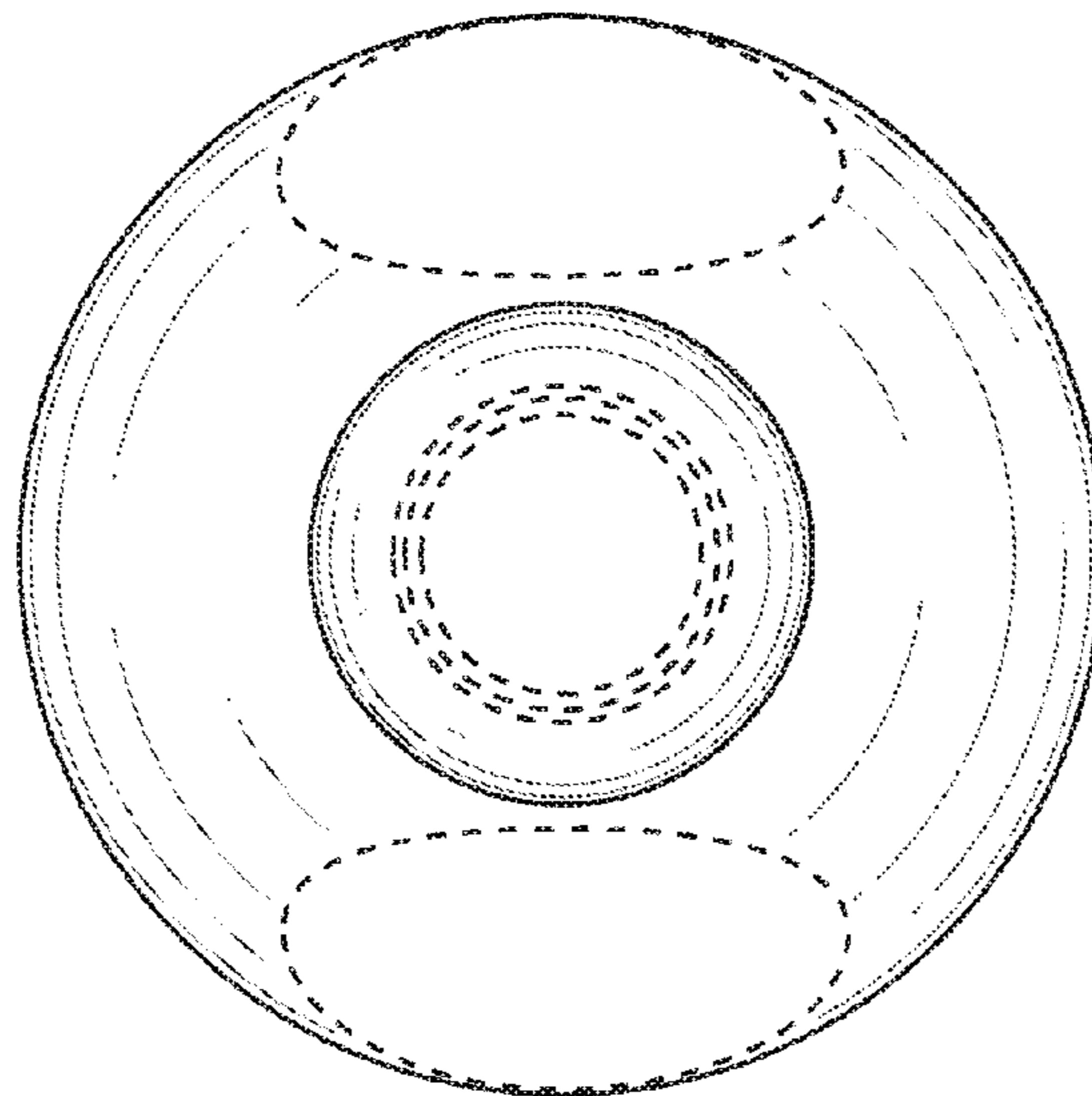
**FIG. 4**



**FIG. 5**



**FIG. 6**



**FIG. 7**