



US00D688554S

(12) **United States Design Patent**  
**Fracasso**

(10) **Patent No.:** **US D688,554 S**

(45) **Date of Patent:** **\*\* Aug. 27, 2013**

(54) **CONTAINER CAP**

(71) Applicant: **Giflor S. R. L.**, Grumolo delle  
Abbadesse (IT)

(72) Inventor: **Giuseppe Fracasso**, Caldogno (IT)

(73) Assignee: **Giflor, S.R.L.**, Grumolo delle Abbadesse  
(IT)

(\*\*) Term: **14 Years**

(21) Appl. No.: **29/445,347**

(22) Filed: **Feb. 11, 2013**

**Related U.S. Application Data**

(62) Division of application No. 29/417,554, filed on Apr.  
5, 2012, now Pat. No. Des. 680,434.

(30) **Foreign Application Priority Data**

Oct. 6, 2011 (EM) ..... 001928193-0003  
Oct. 6, 2011 (EM) ..... 001928193-0004  
Oct. 6, 2011 (EM) ..... 001928193-0006  
Oct. 6, 2011 (EM) ..... 001928193-0007

(51) **LOC (9) Cl.** ..... **09-07**

(52) **U.S. Cl.**  
USPC ..... **D9/449; D9/447**

(58) **Field of Classification Search**  
USPC ..... D9/454, 453, 449, 447, 446, 443,  
D9/440, 439, 417; D7/396.2, 392.1; 222/556,  
222/484; 220/837, 715, 259.2, 254.2-254.5;  
215/306, 235, 236

See application file for complete search history.

(56) **References Cited**

U.S. PATENT DOCUMENTS

D434,659 S 12/2000 Lonczak et al. .... D9/449  
6,321,923 B1 \* 11/2001 Wood ..... 215/235  
D476,893 S 7/2003 Pinnavaia ..... D9/454  
D607,726 S 1/2010 Wisniewski ..... D9/449

(Continued)

*Primary Examiner* — Susan Bennett Hattan

(74) *Attorney, Agent, or Firm* — Fattibene and Fattibene  
LLC; Paul A. Fattibene

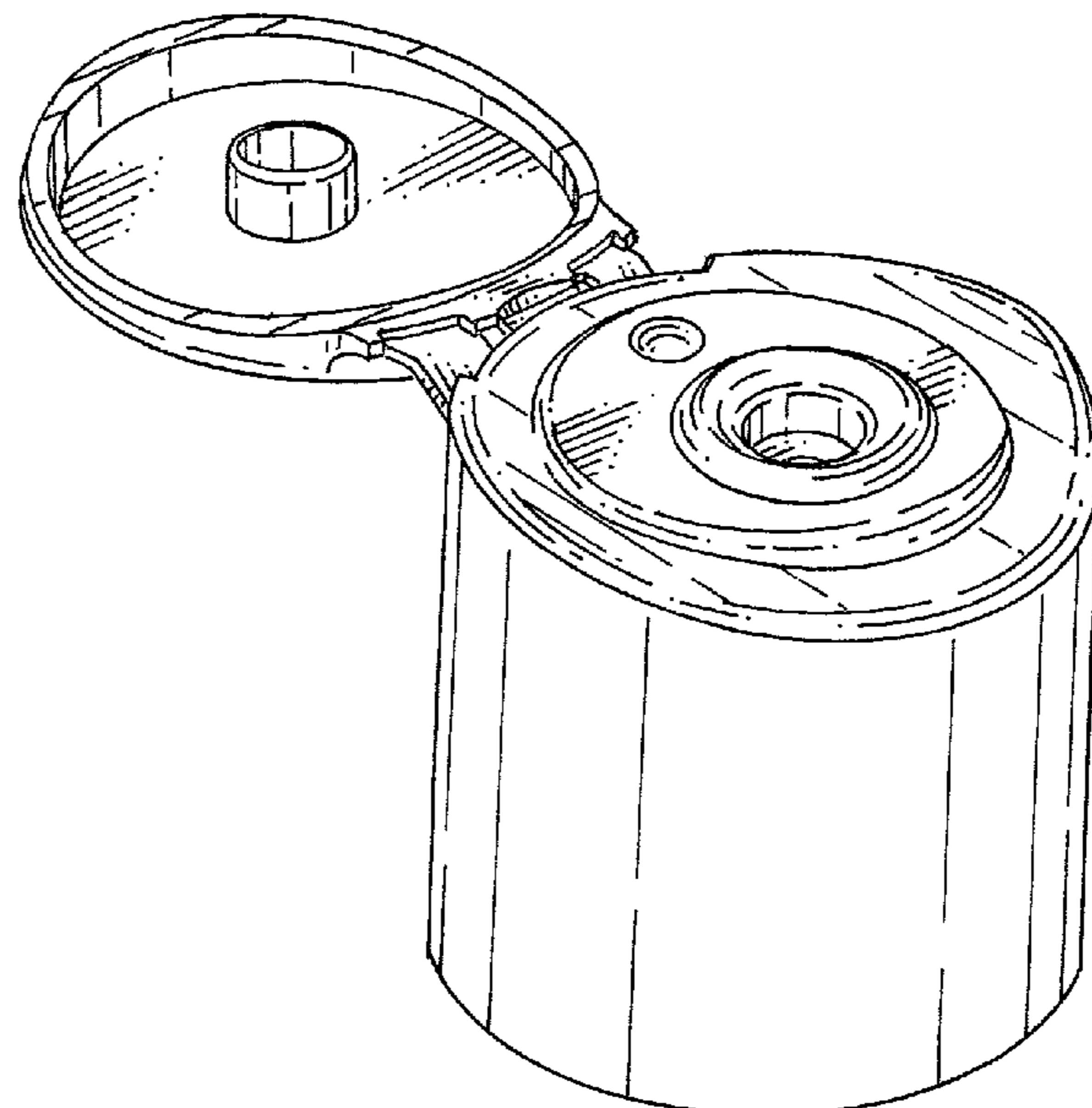
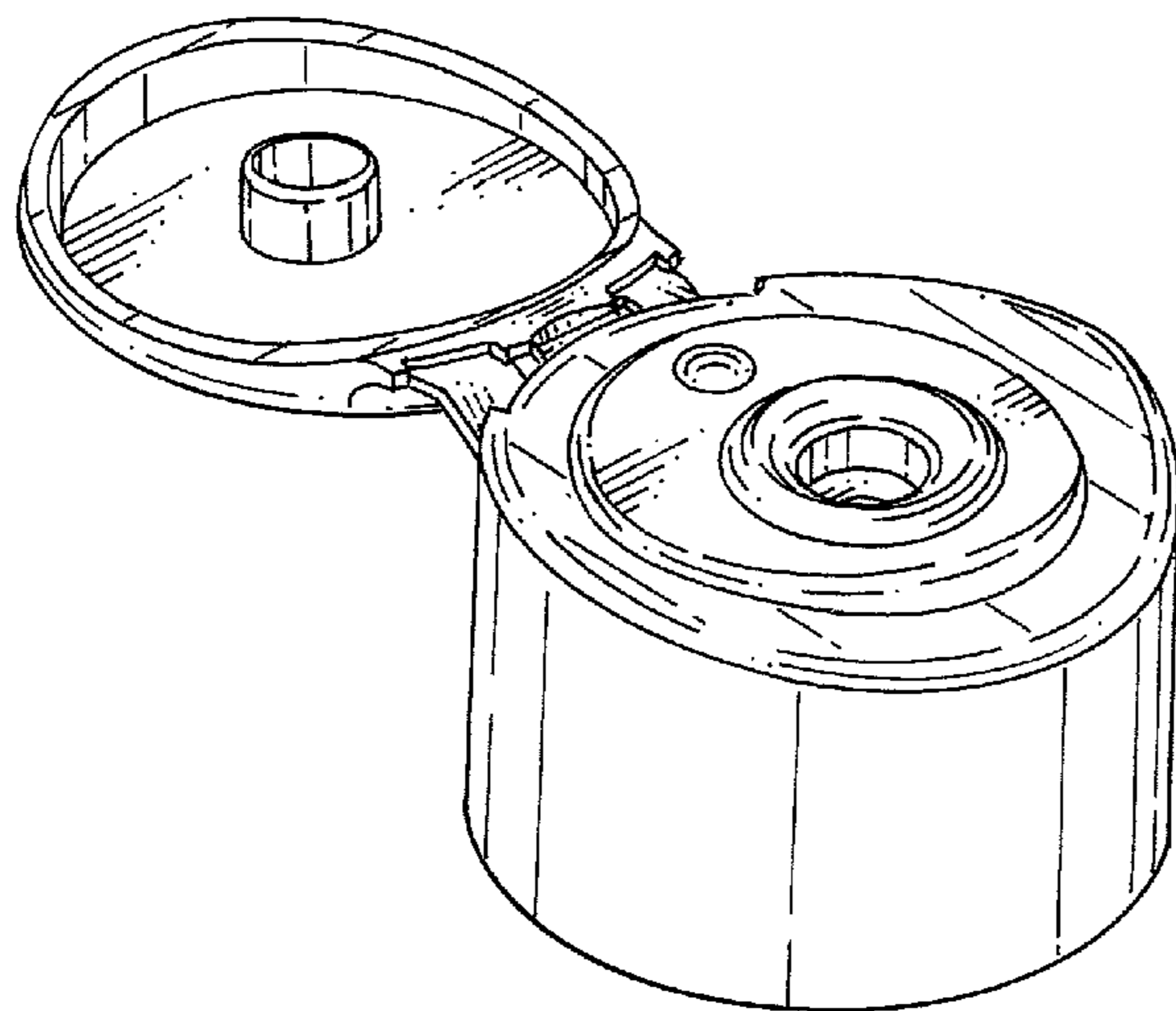
(57) **CLAIM**

The ornamental design for a container cap, as shown and  
described.

**DESCRIPTION**

FIG. 1 is a front perspective view of a first embodiment of a  
container cap showing the new design with the cap open;  
FIG. 2 is a rear perspective view thereof with the cap open;  
FIG. 3 is a left side elevation view thereof with the cap open,  
with the right side elevation view being a mirror image;  
FIG. 4 is a front elevation view thereof with the cap closed;  
FIG. 5 is a rear elevation view thereof with the cap closed;  
FIG. 6 is a top plan view thereof with the cap open;  
FIG. 7 is a front perspective view of a second embodiment of  
a container cap showing the new design with the cap open;  
FIG. 8 is a rear perspective view thereof with the cap open;  
FIG. 9 is a left side elevation view thereof with the cap open,  
with the right side elevation view being a mirror image;  
FIG. 10 is a front elevation view thereof with the cap closed;  
FIG. 11 is a rear elevation view thereof with the cap closed;  
and,  
FIG. 12 is a top plan view thereof with the cap open.

**1 Claim, 12 Drawing Sheets**



# US D688,554 S

Page 2

---

(56)

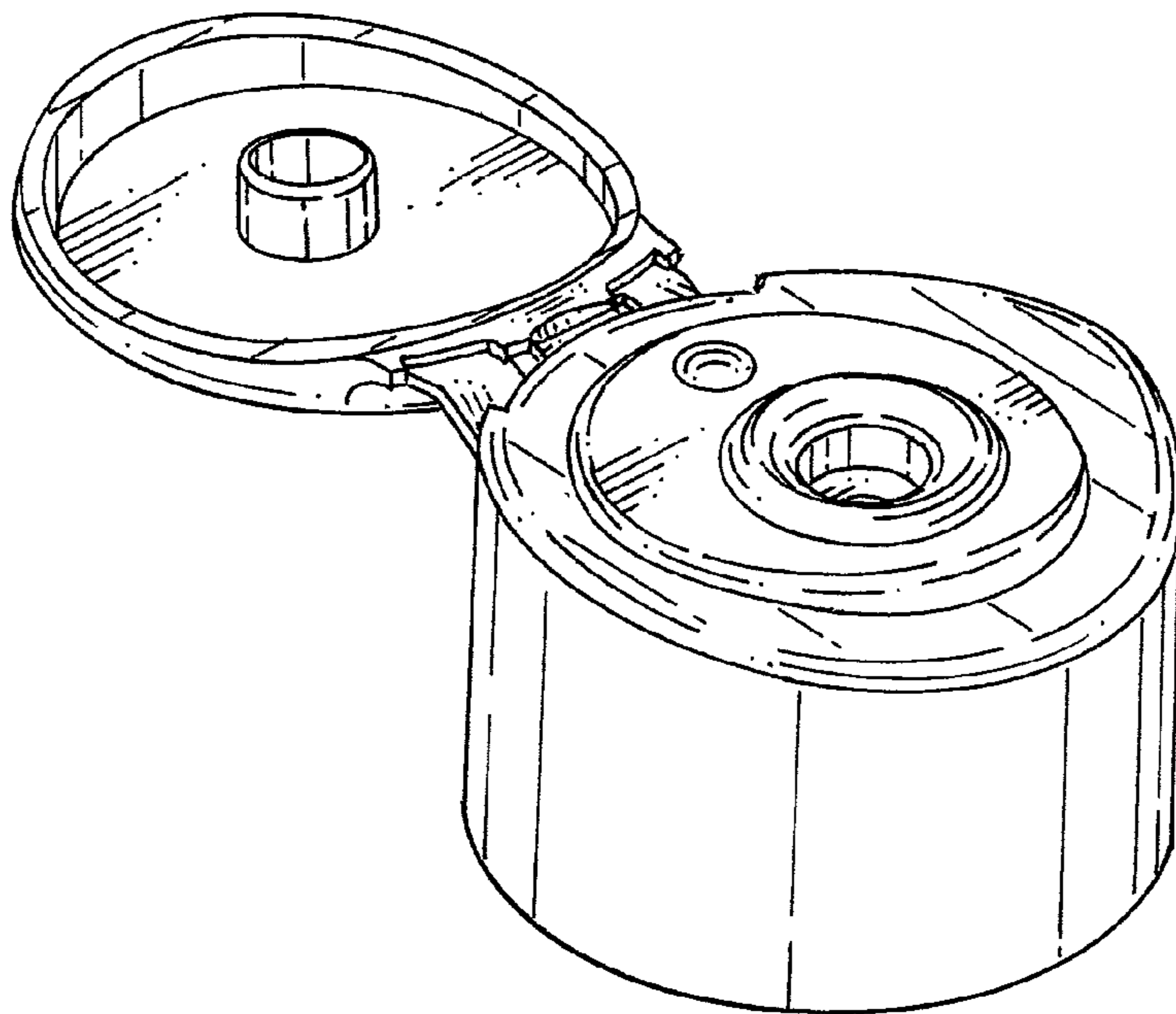
## References Cited

### U.S. PATENT DOCUMENTS

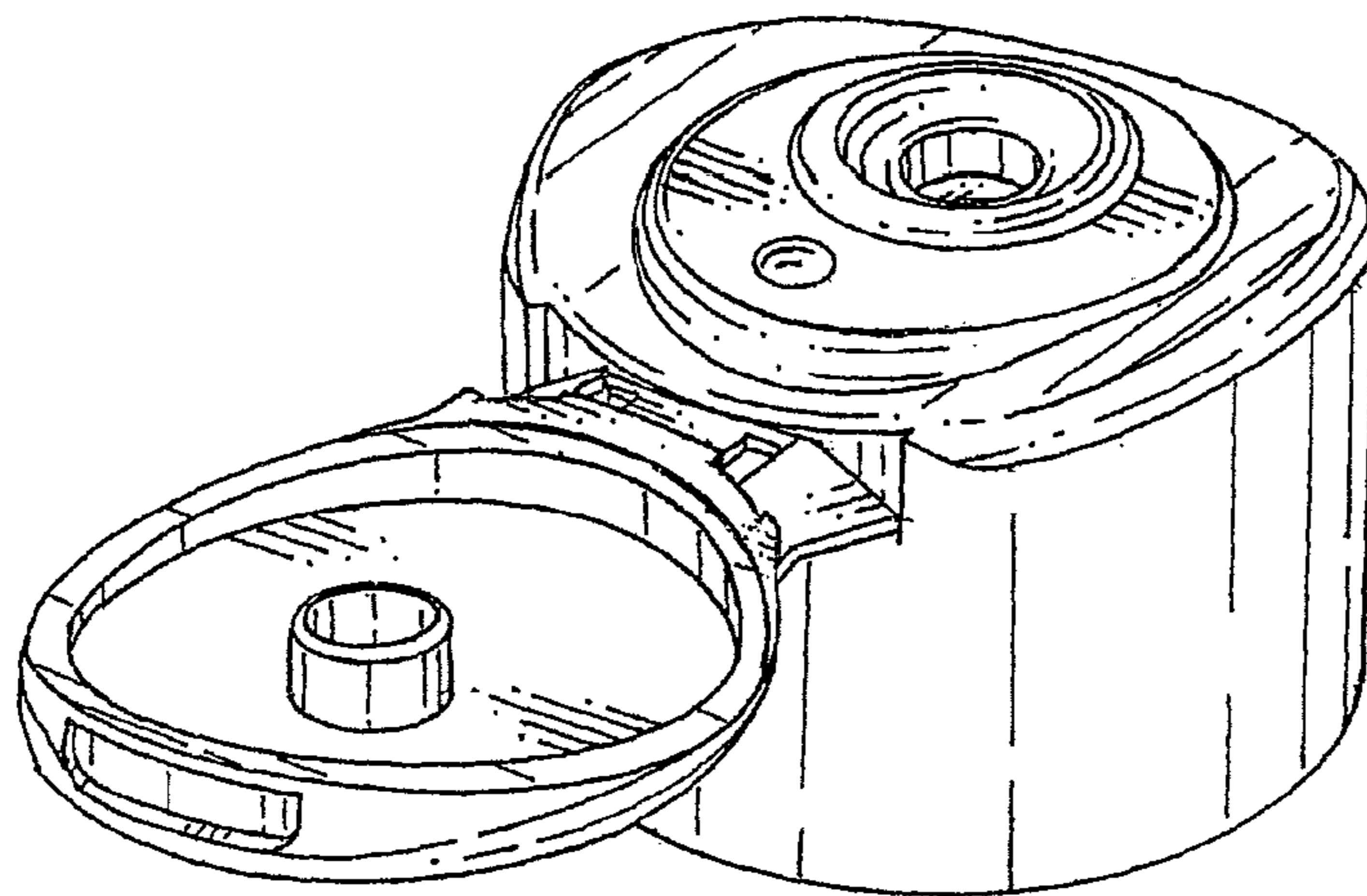
D609,568 S 2/2010 Mazurkiewicz ..... D9/449  
D635,023 S \* 3/2011 Stolle ..... D9/449  
D649,055 S 11/2011 Fracasso ..... D9/503

D661,583 S 6/2012 Santarelli et al. .... D9/449  
D664,433 S 7/2012 Fracasso ..... D9/449  
D664,849 S 8/2012 Fracasso ..... D9/449  
D664,850 S 8/2012 Fracasso ..... D9/449  
D676,333 S \* 2/2013 Fracasso ..... D9/697

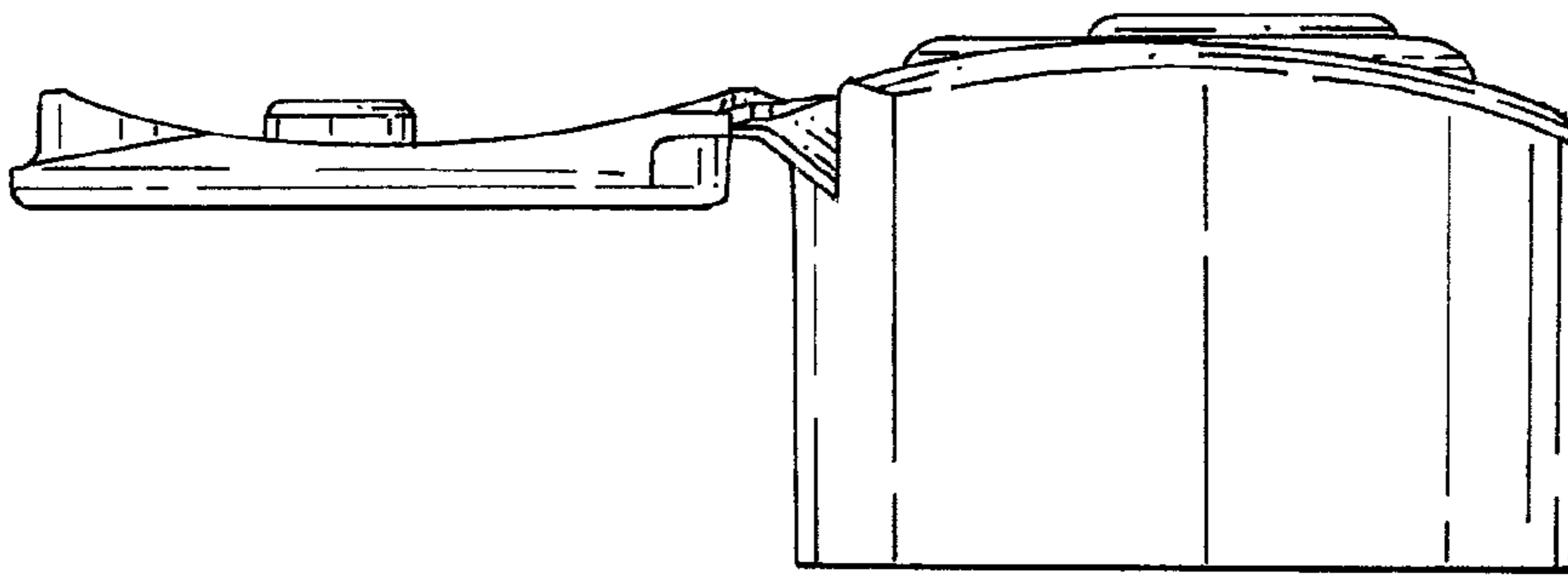
\* cited by examiner



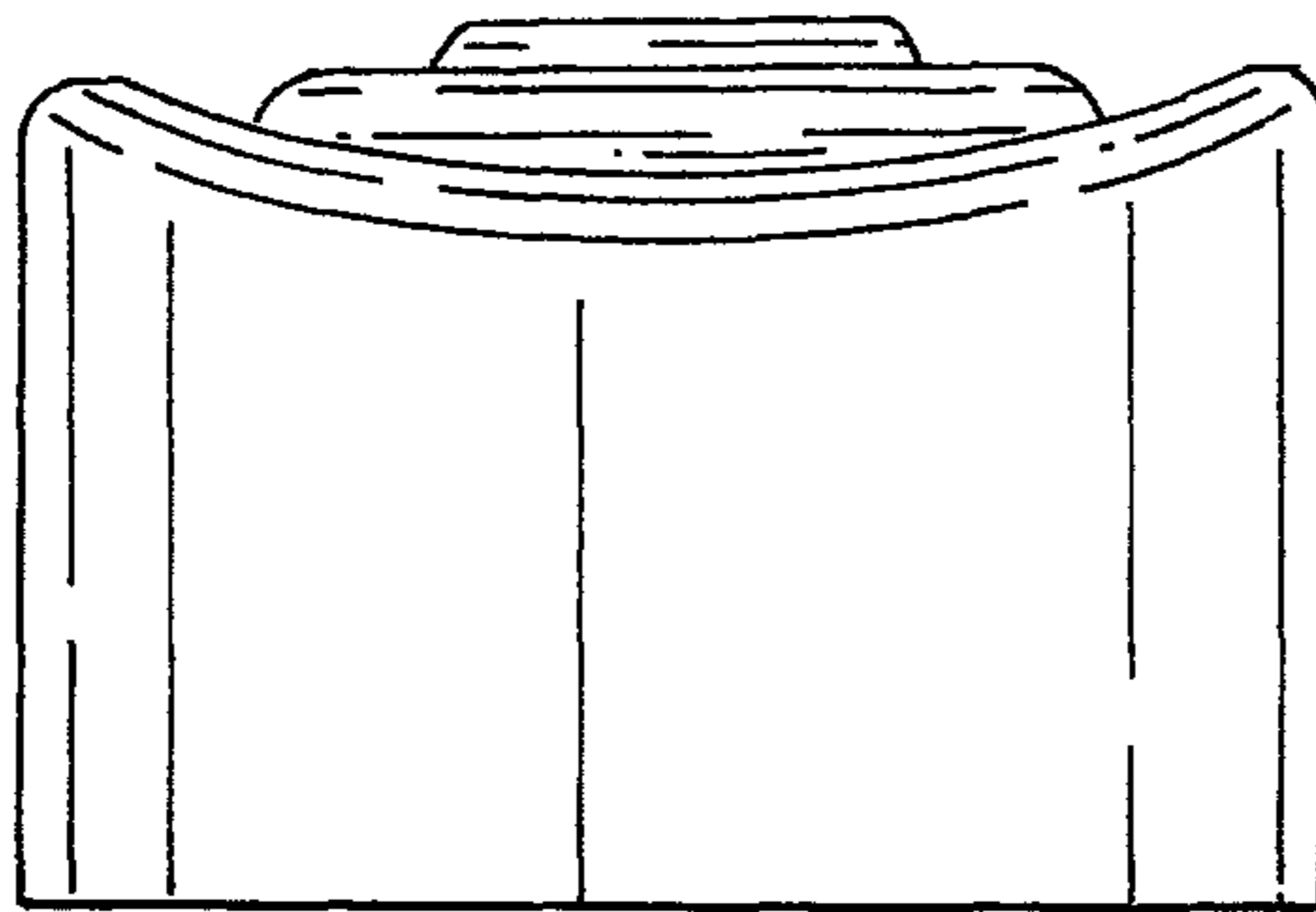
*FIG. 1*



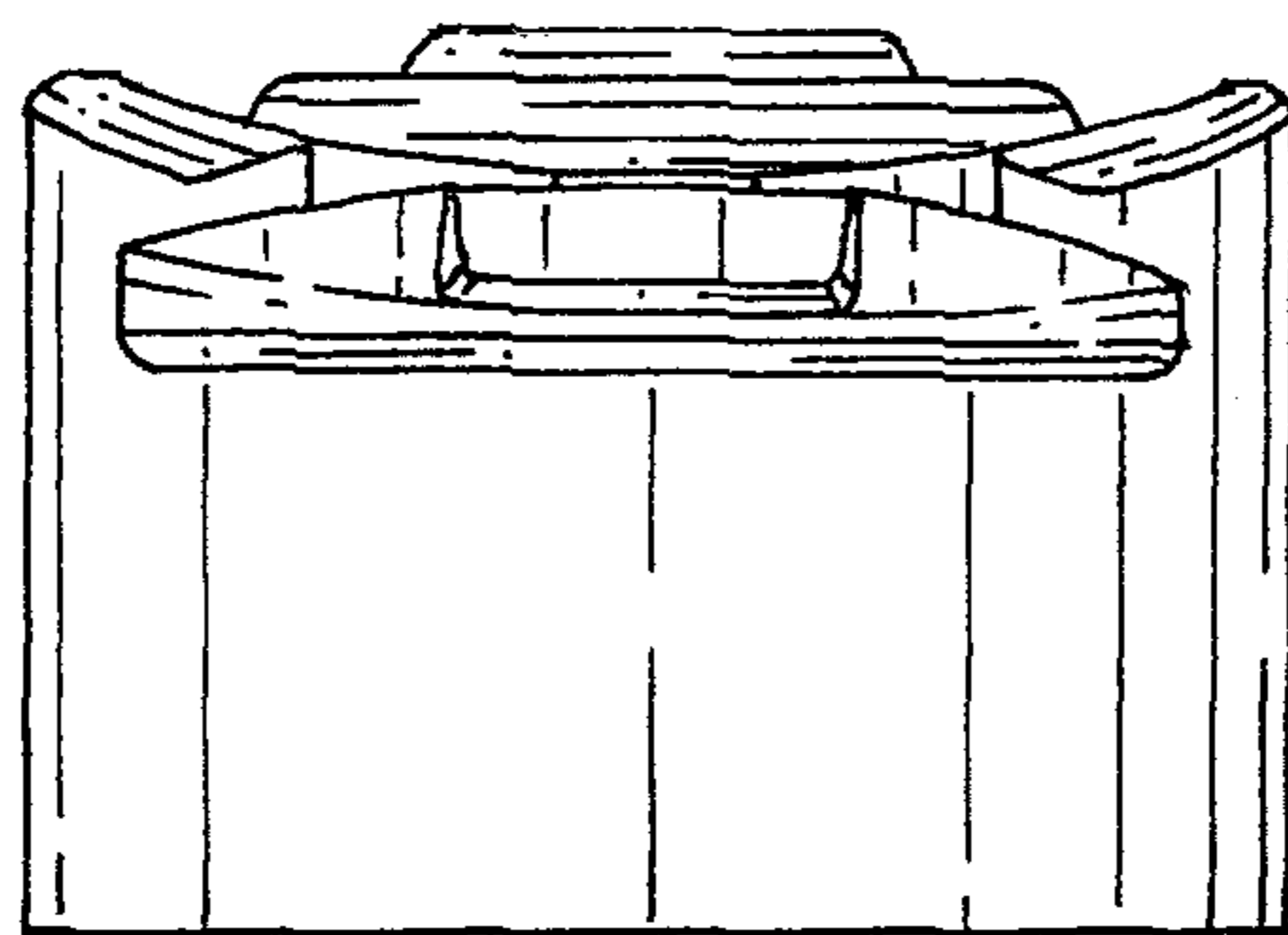
*FIG. 2*



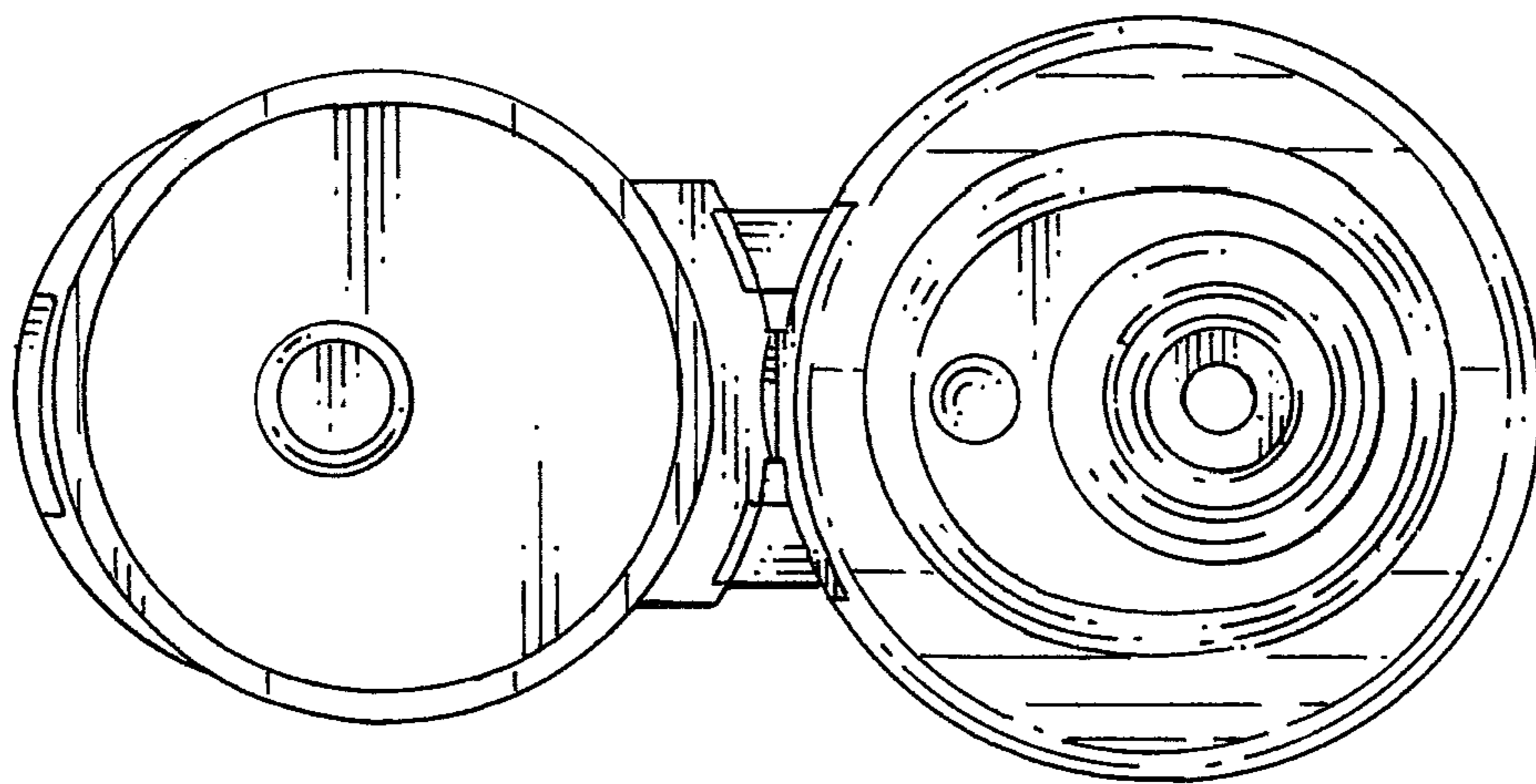
*FIG. 3*



*FIG. 4*

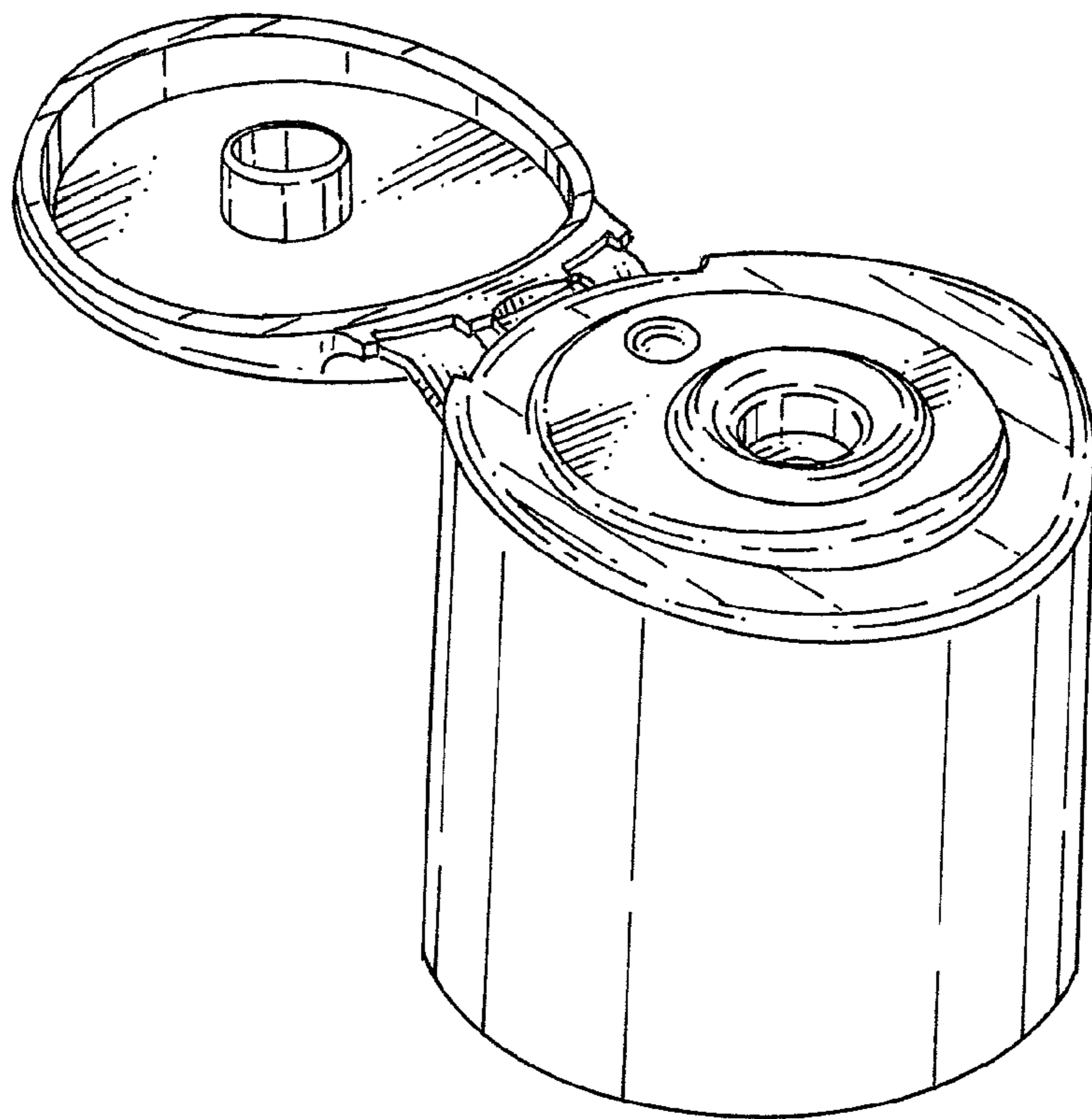


*FIG. 5*

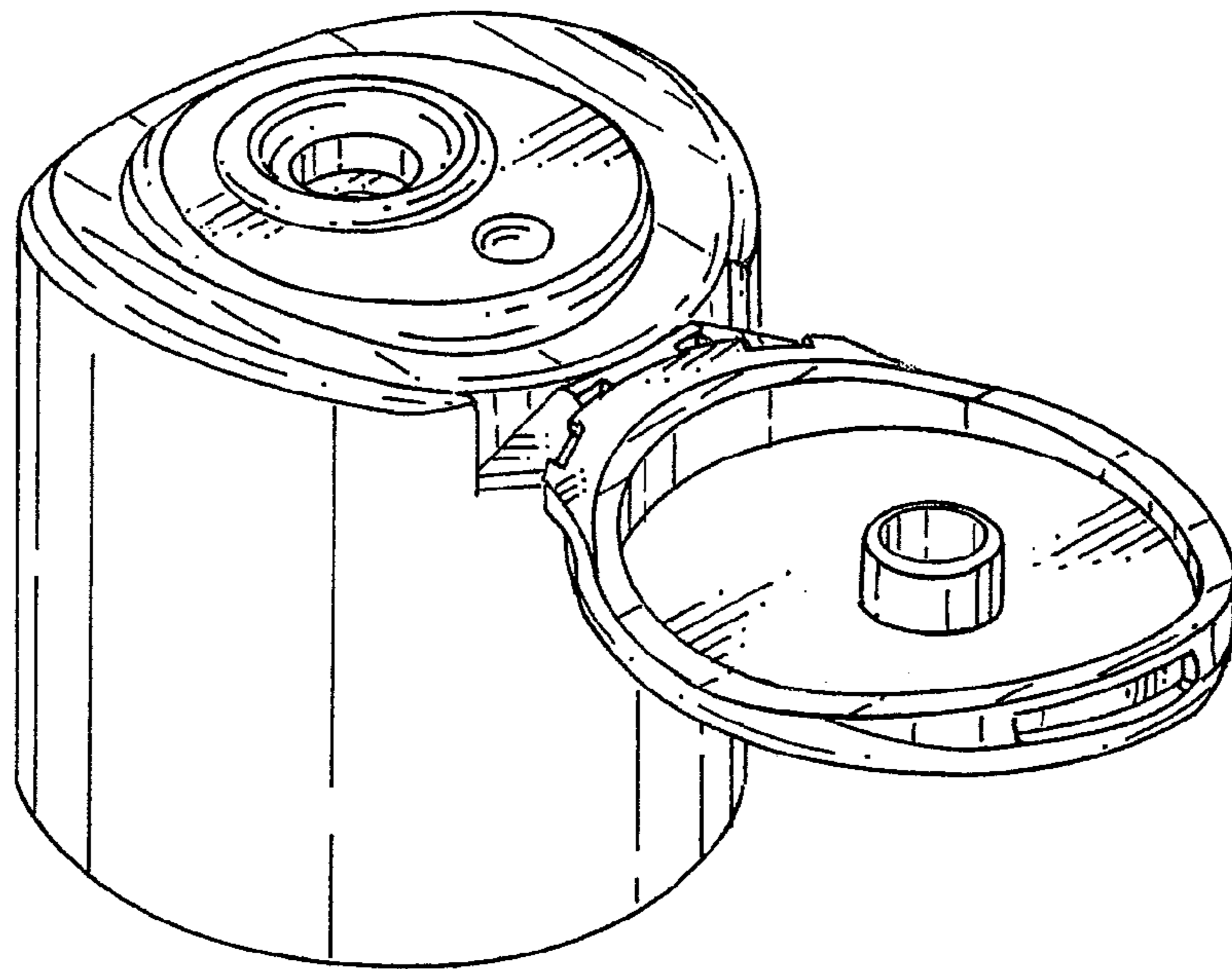


*FIG. 6*

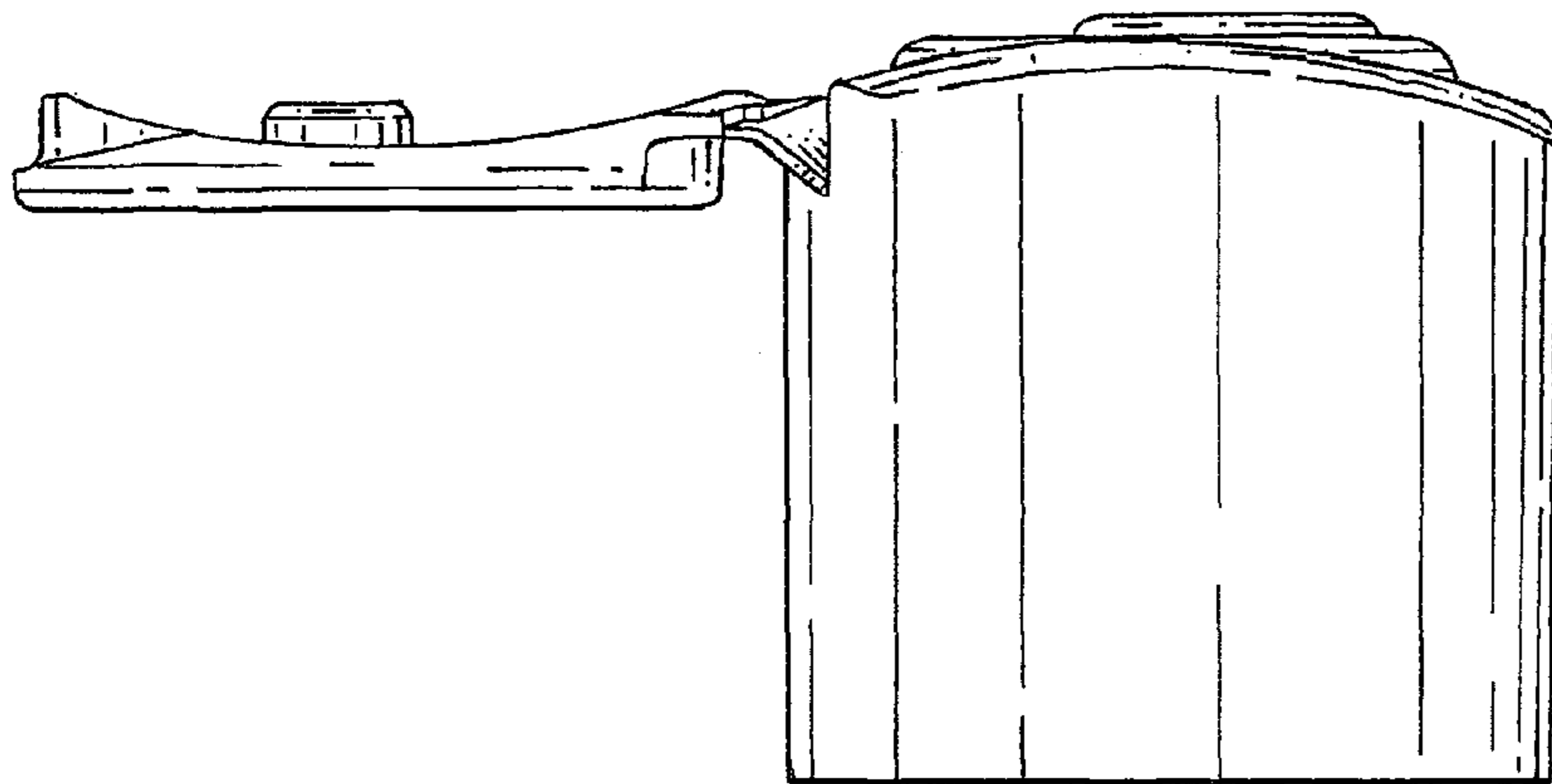




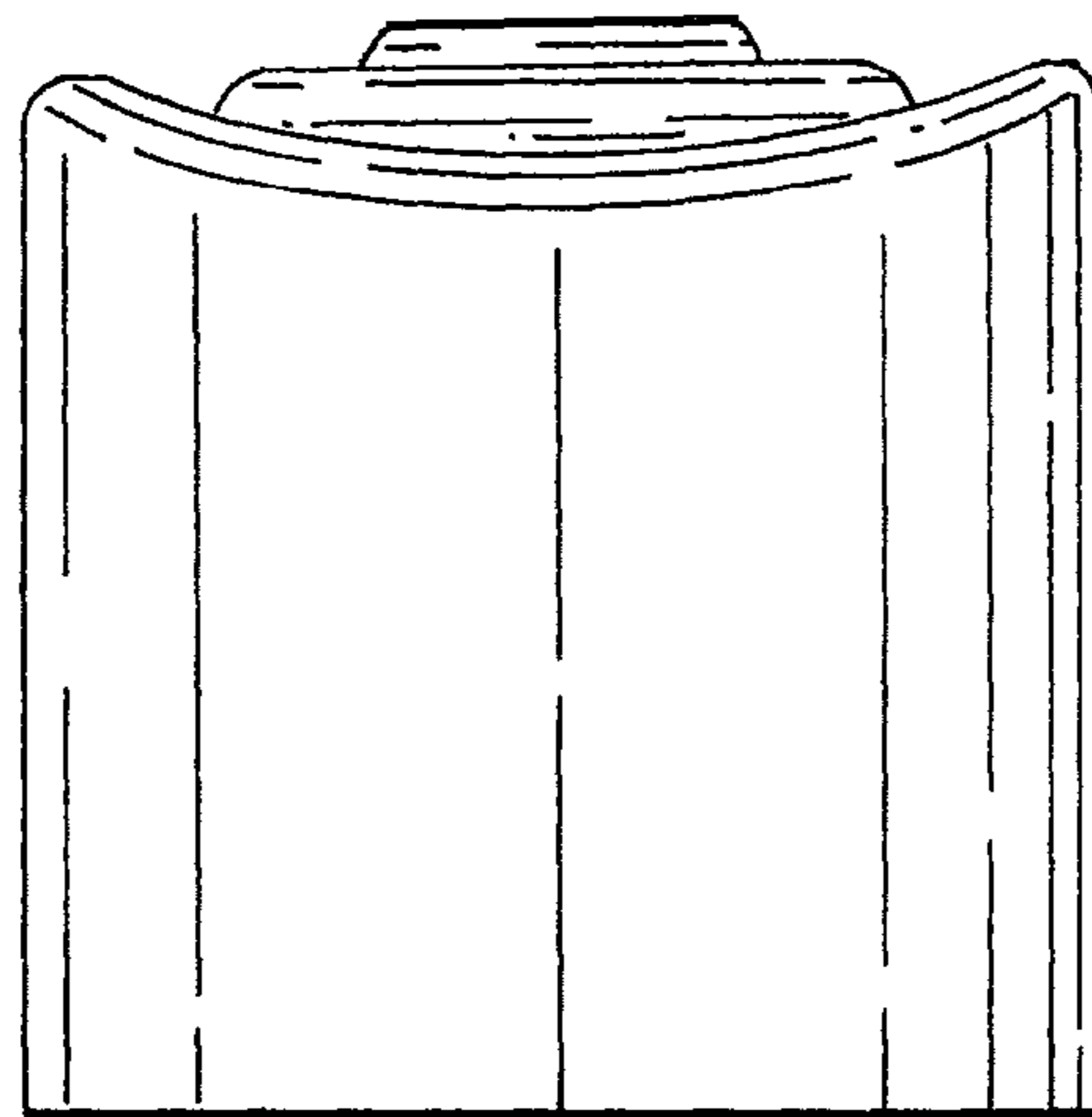
*FIG. 7*



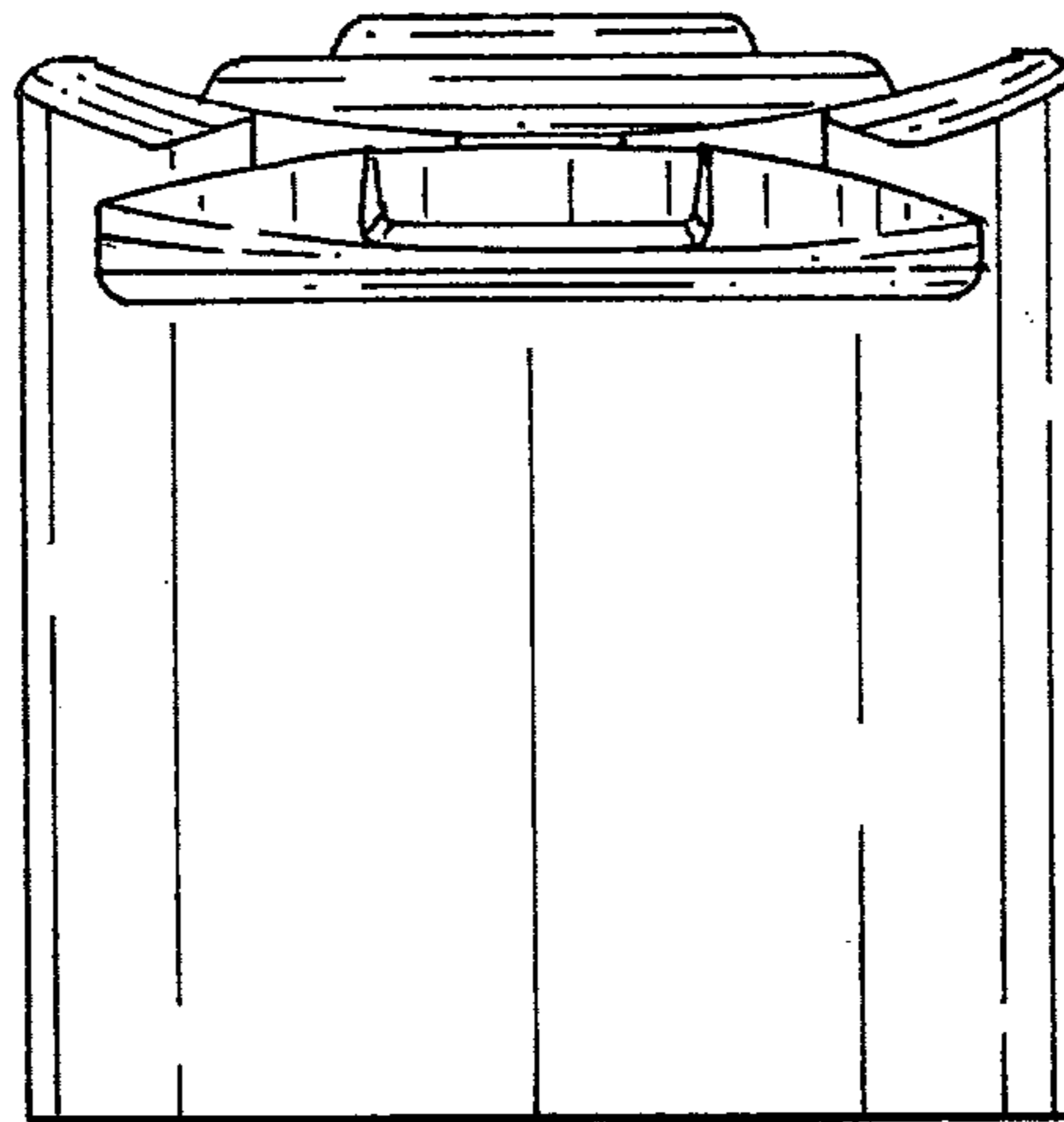
*FIG. 8*



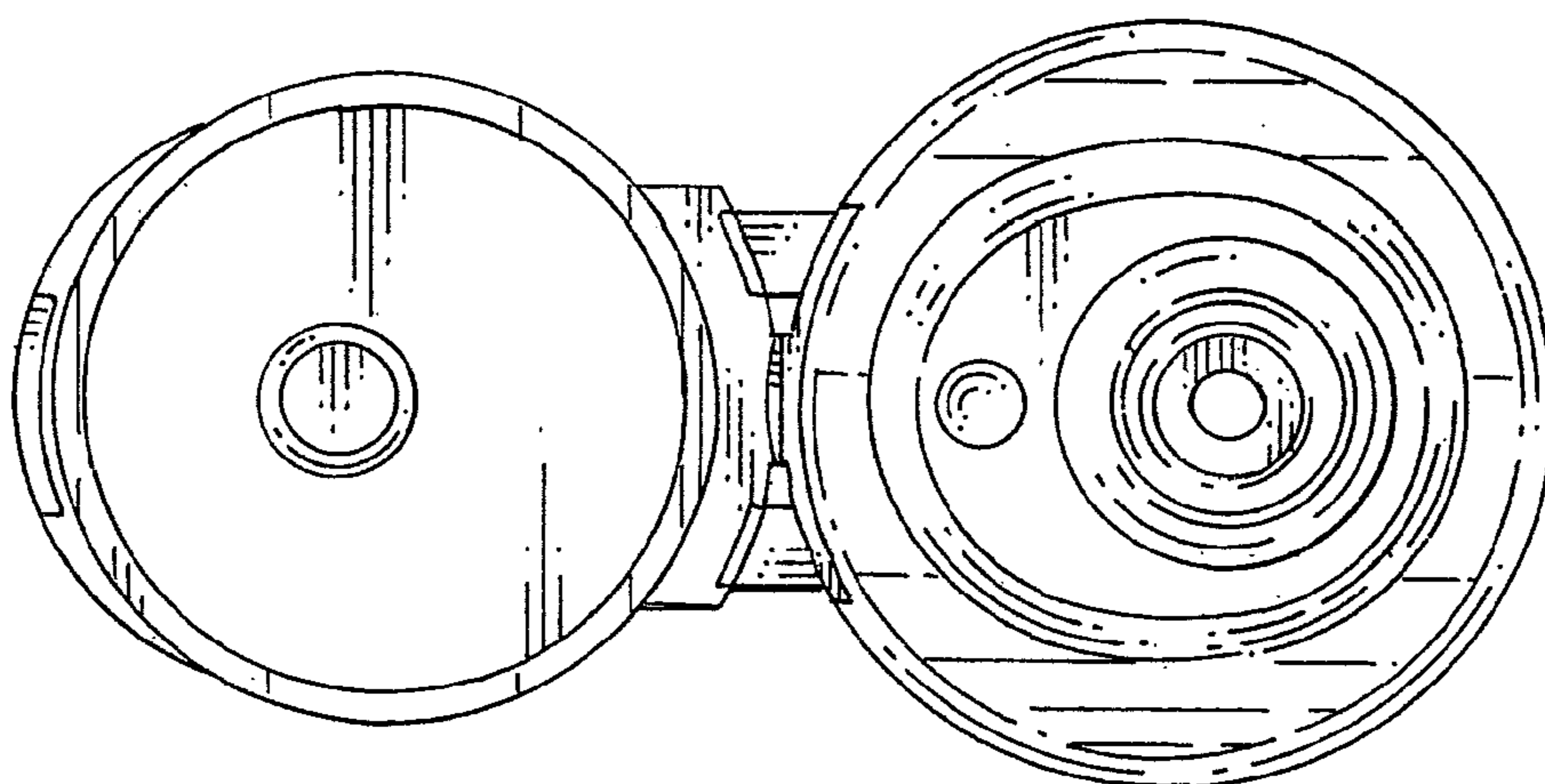
*FIG. 9*



*FIG. 10*



*FIG. 11*



*FIG. 12*