



US00D688551S

(12) **United States Design Patent**
Wahl

(10) **Patent No.:** **US D688,551 S**

(45) **Date of Patent:** **** Aug. 27, 2013**

(54) **FOOD CONTAINER**

(75) Inventor: **Andrew C. F. Wahl**, Seattle, WA (US)

(73) Assignee: **Pacific Market International, LLC**,
Seattle, WA (US)

(**) Term: **14 Years**

(21) Appl. No.: **29/398,250**

(22) Filed: **Jul. 28, 2011**

(51) **LOC (9) Cl.** **09-03**

(52) **U.S. Cl.**
USPC **D9/426; D9/432; D7/602**

(58) **Field of Classification Search**
USPC D9/414, 416, 418, 420-426, 428,
D9/429, 430-433; D7/354, 566, 601, 602,
D7/630; 220/574, 495.03, 520, 529, 62.13;
D3/272

See application file for complete search history.

(56) **References Cited**

U.S. PATENT DOCUMENTS

D377,450 S *	1/1997	Krupa et al.	D9/425
D380,381 S *	7/1997	Krupa et al.	D9/425
D399,737 S *	10/1998	Zuhlke et al.	D9/423
D475,620 S *	6/2003	Chen et al.	D9/425
D493,073 S *	7/2004	Kim	D7/629
D513,383 S *	1/2006	Glander et al.	D9/435
D601,013 S *	9/2009	Petitjean	D9/426
D601,014 S *	9/2009	Petitjean	D9/426
D633,332 S *	3/2011	Sarnoff et al.	D7/354

D642,868 S *	8/2011	Shah	D7/538
D664,428 S *	7/2012	Rivera et al.	D9/426
D680,860 S *	4/2013	Schulter et al.	D9/420

* cited by examiner

Primary Examiner — Susan Bennett Hattan

Assistant Examiner — Vy Koenig

(74) *Attorney, Agent, or Firm* — Davis Wright Tremaine
LLP; George C. Rondeau, Jr.

(57) **CLAIM**

The ornamental design for a food container, as shown and described.

DESCRIPTION

FIG. 1 is a top left side perspective view of a food container showing my new design.

FIG. 2 is a left side elevational view thereof.

FIG. 3 is a rear elevational view thereof.

FIG. 4 is a right side elevational view thereof.

FIG. 5 is a front elevational view thereof.

FIG. 6 is a top plan view thereof.

FIG. 7 is a bottom plan view thereof.

FIG. 8 is a top left side perspective view of a second embodiment thereof.

FIG. 9 is a left side elevational view thereof.

FIG. 10 is a rear elevational view thereof.

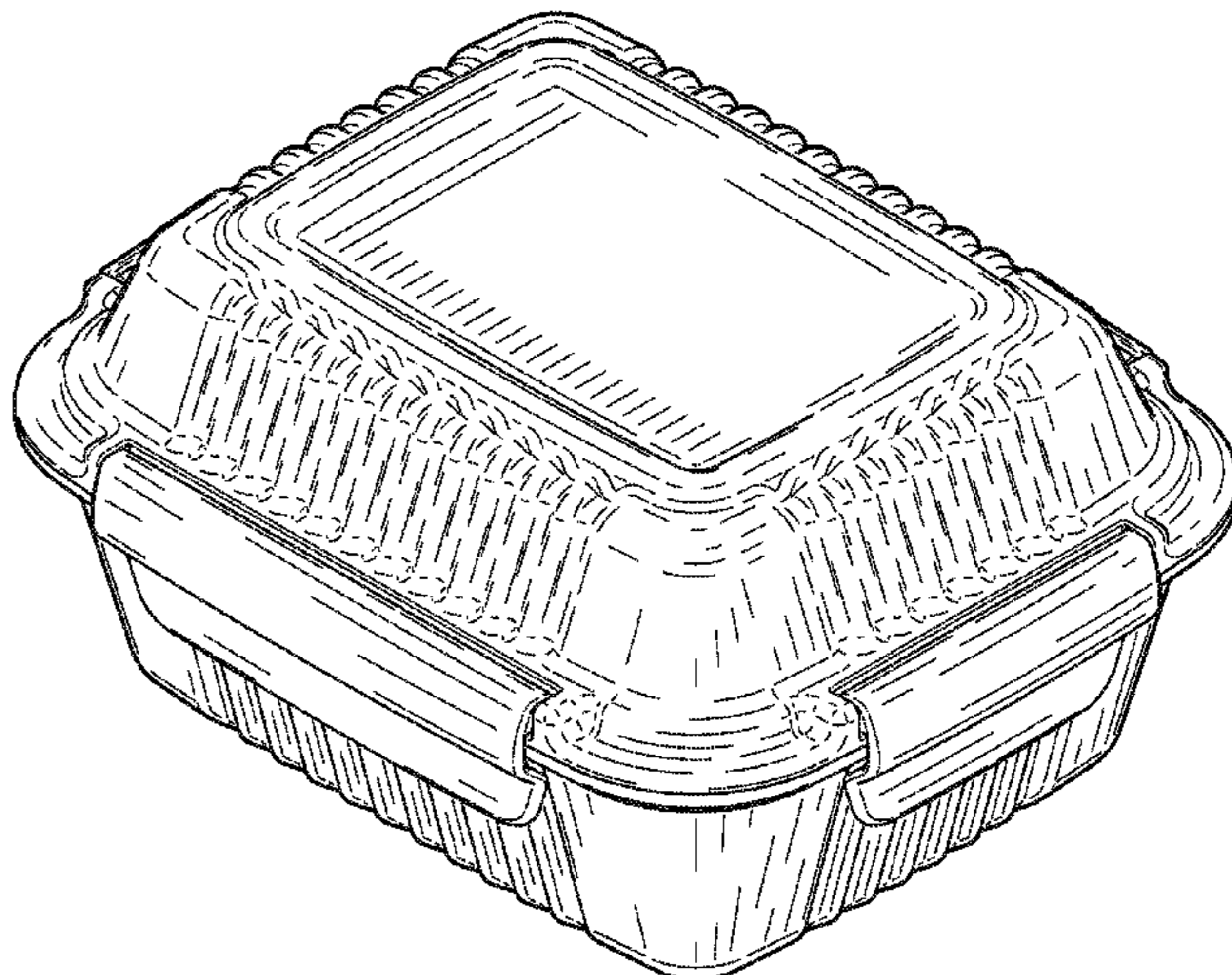
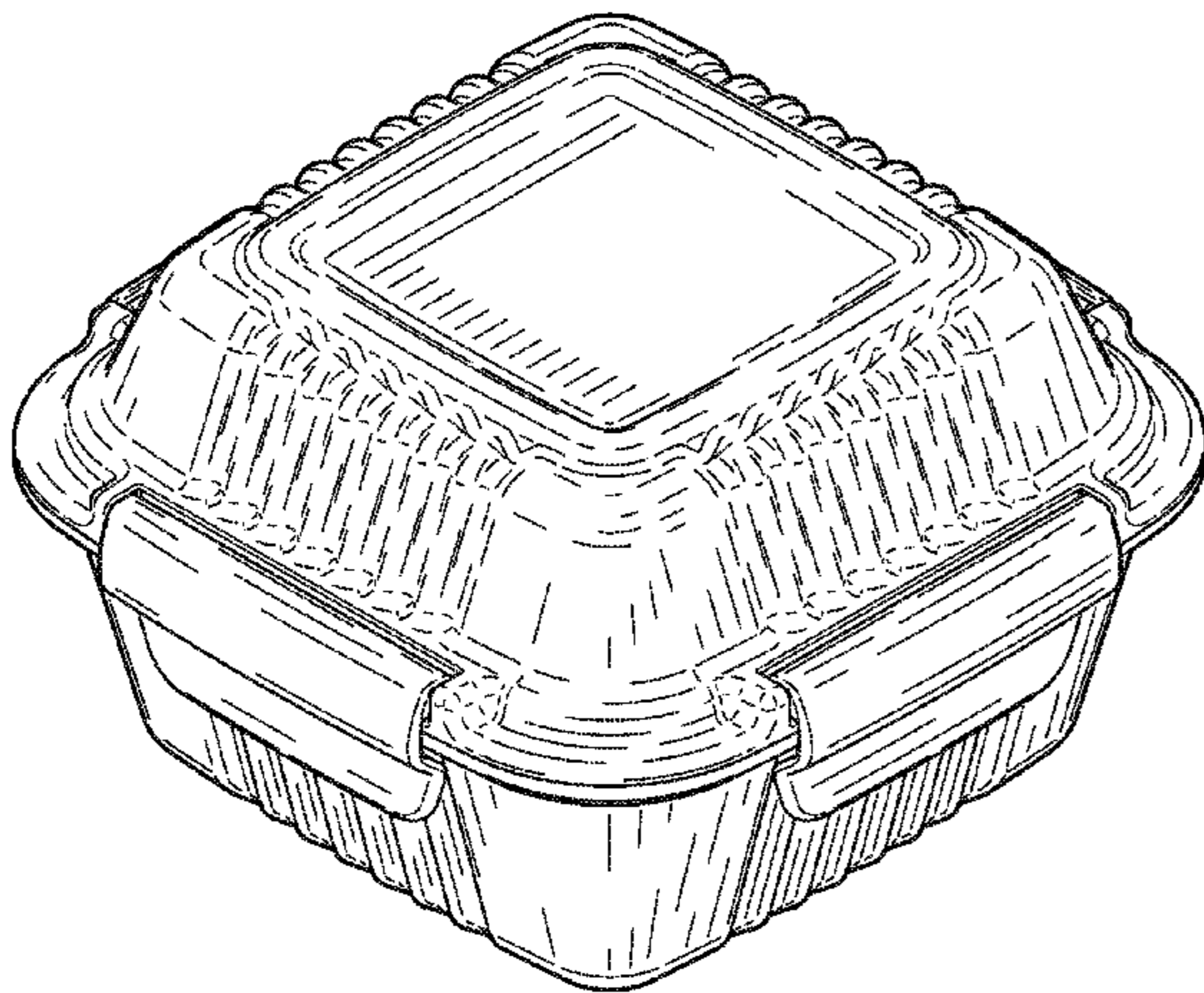
FIG. 11 is a right side elevational view thereof.

FIG. 12 is a front elevational view thereof.

FIG. 13 is a top plan view thereof; and,

FIG. 14 is a bottom plan view thereof.

1 Claim, 14 Drawing Sheets



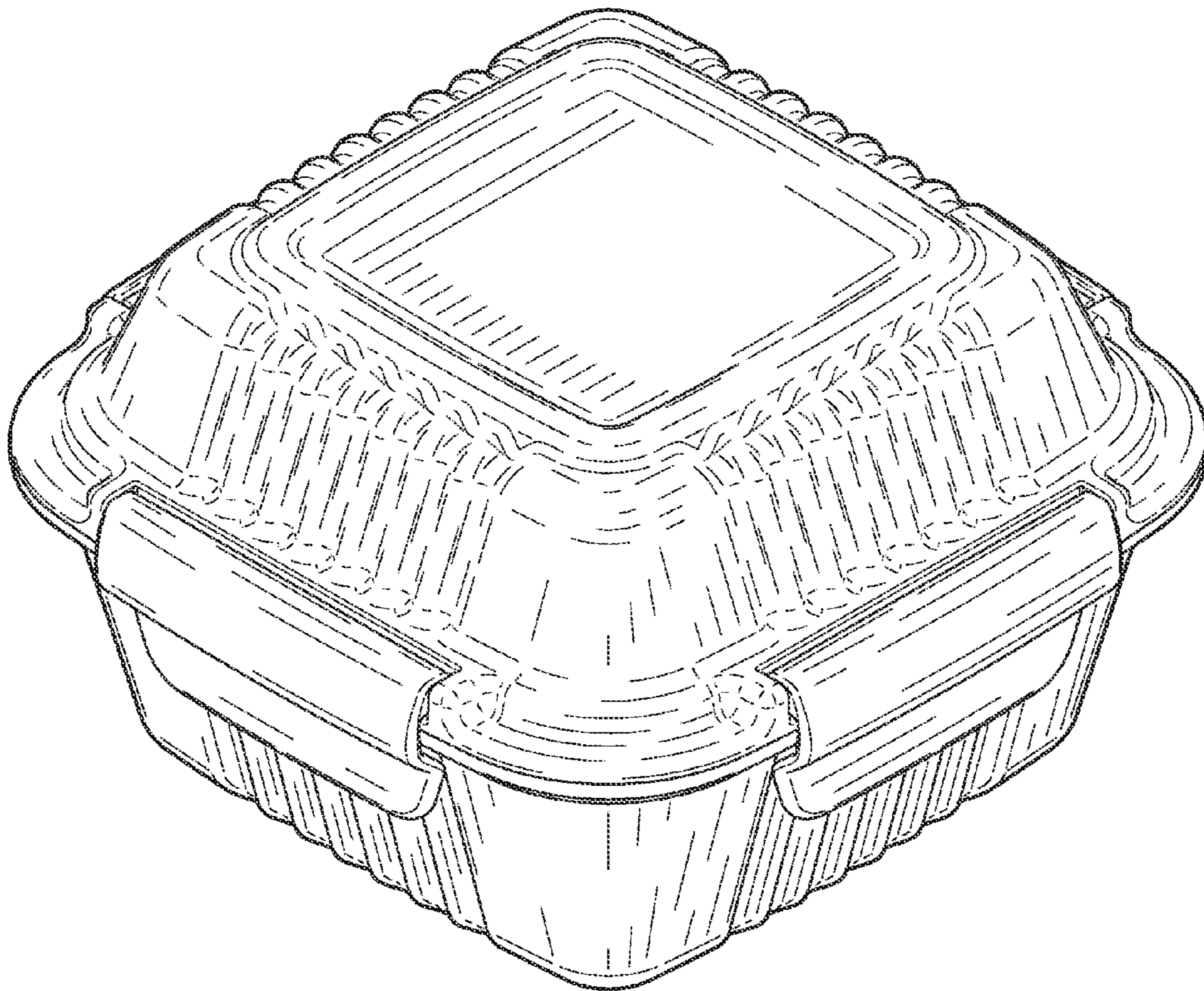


FIG.1

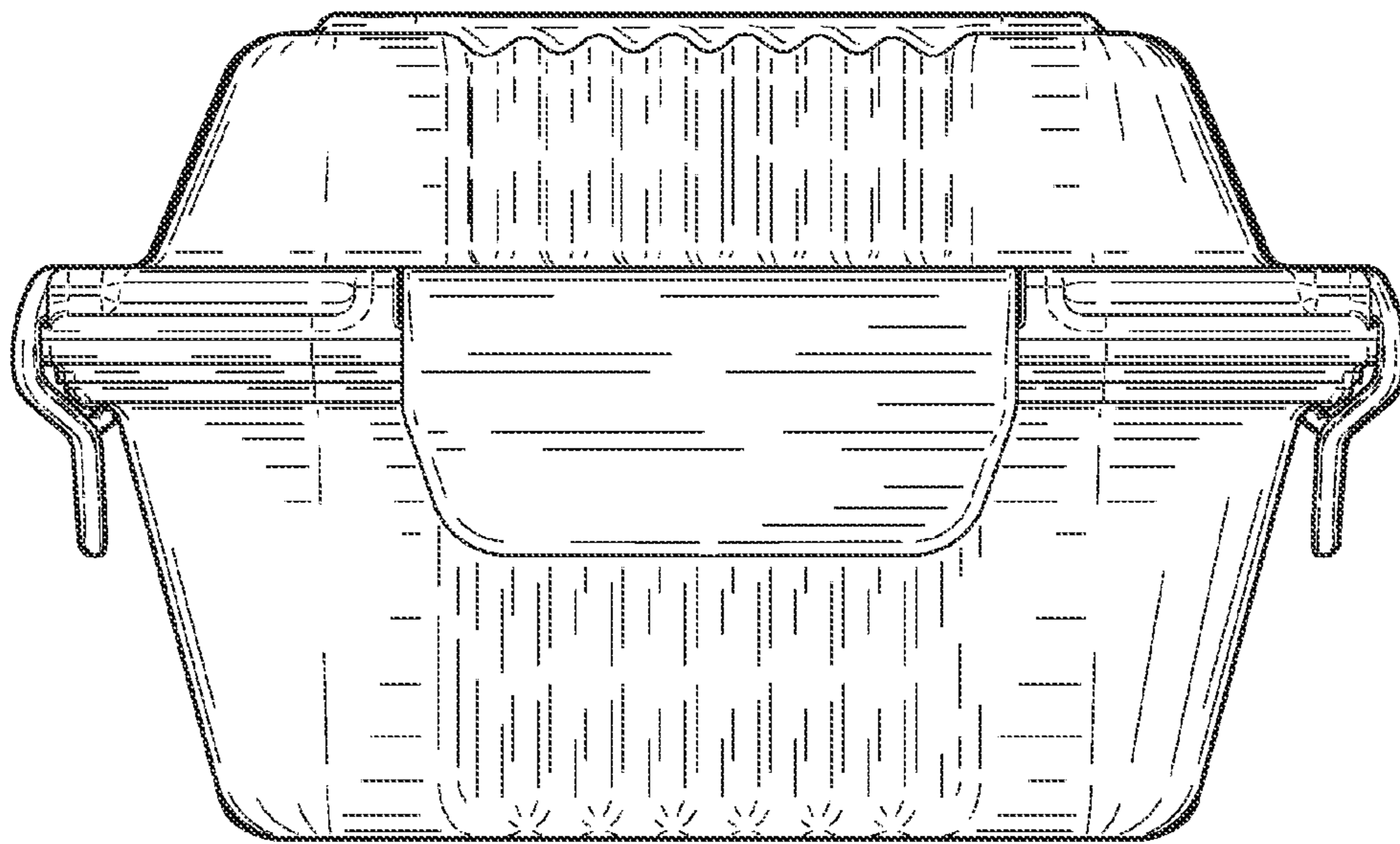


FIG.2

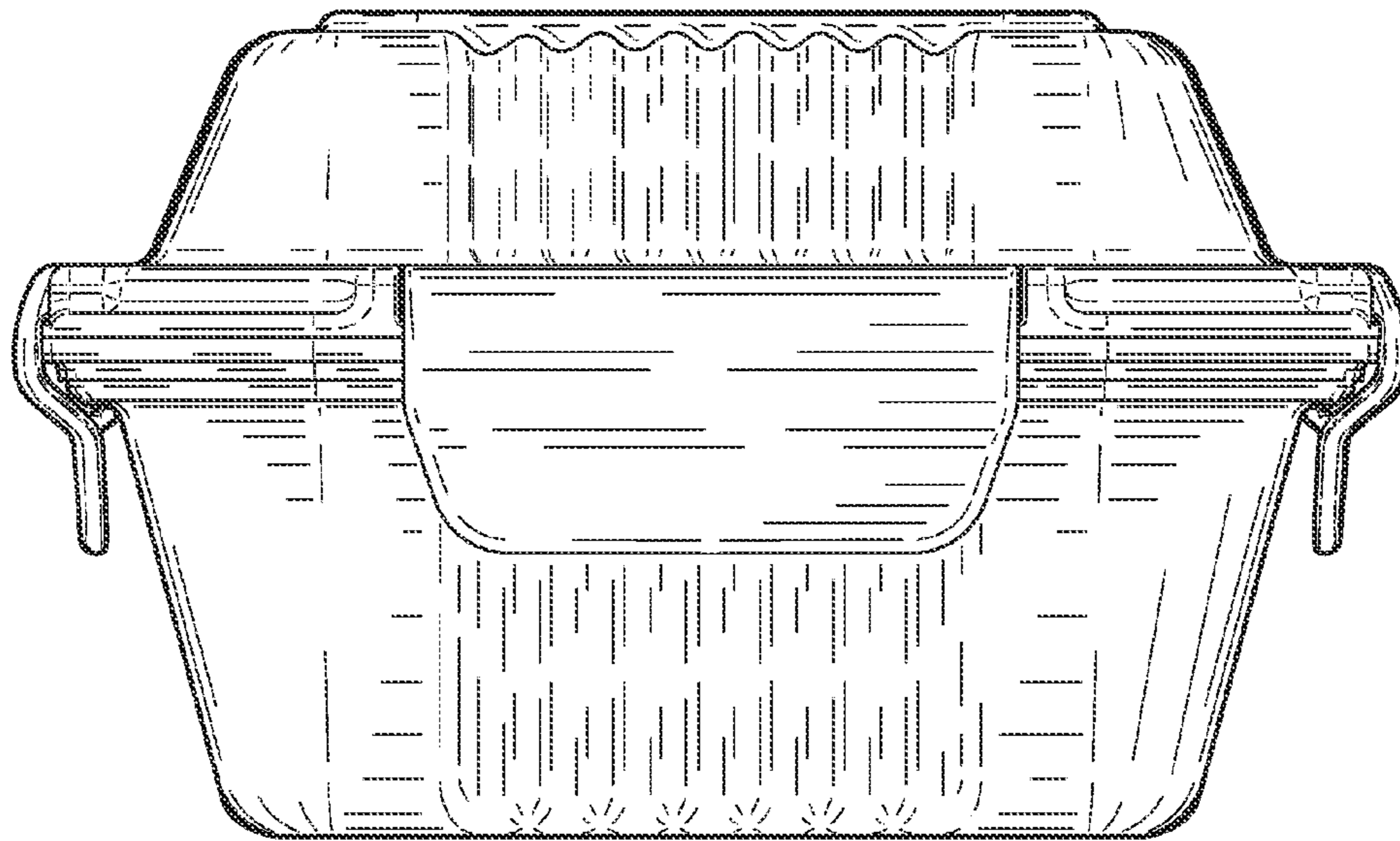


FIG. 3

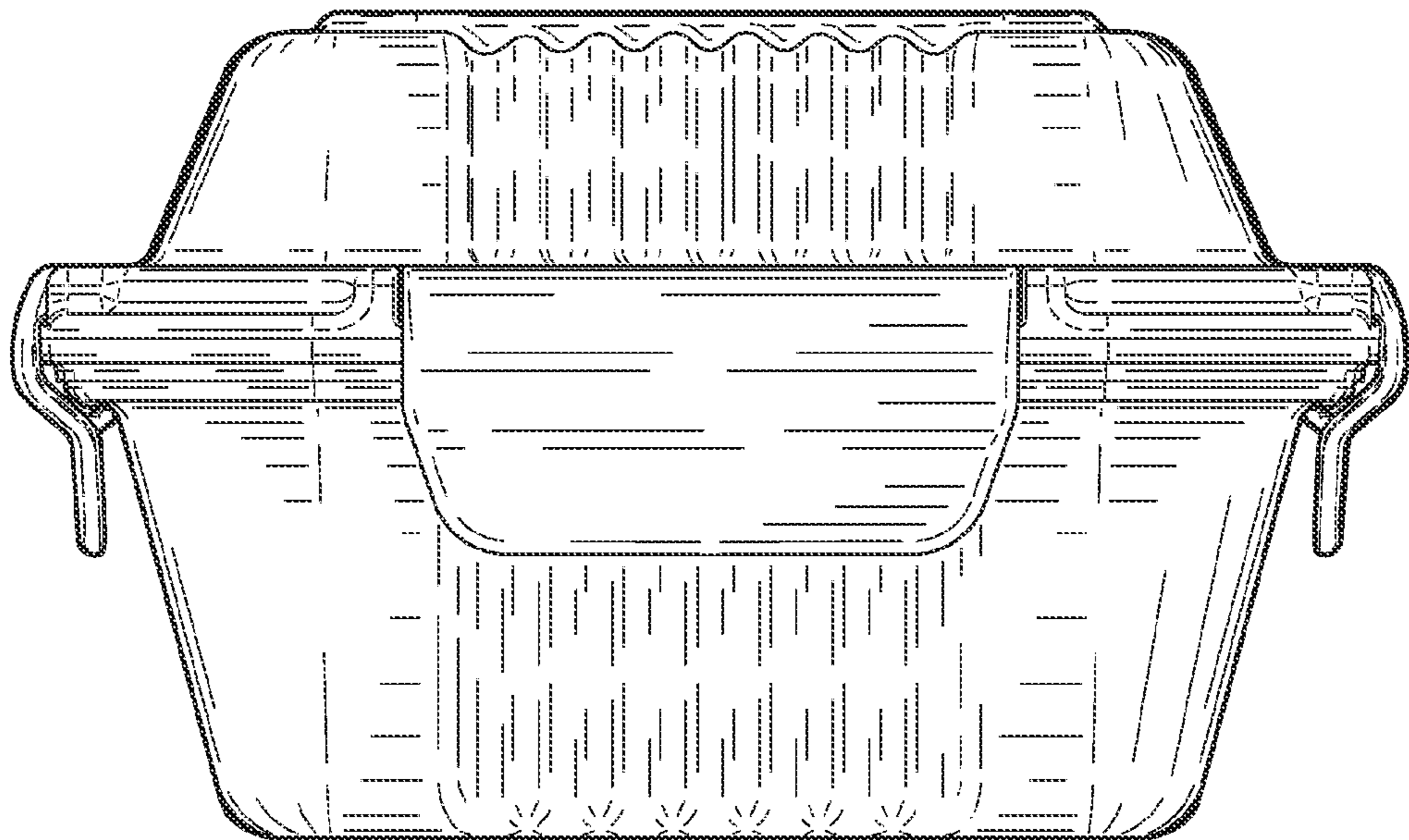


FIG. 4

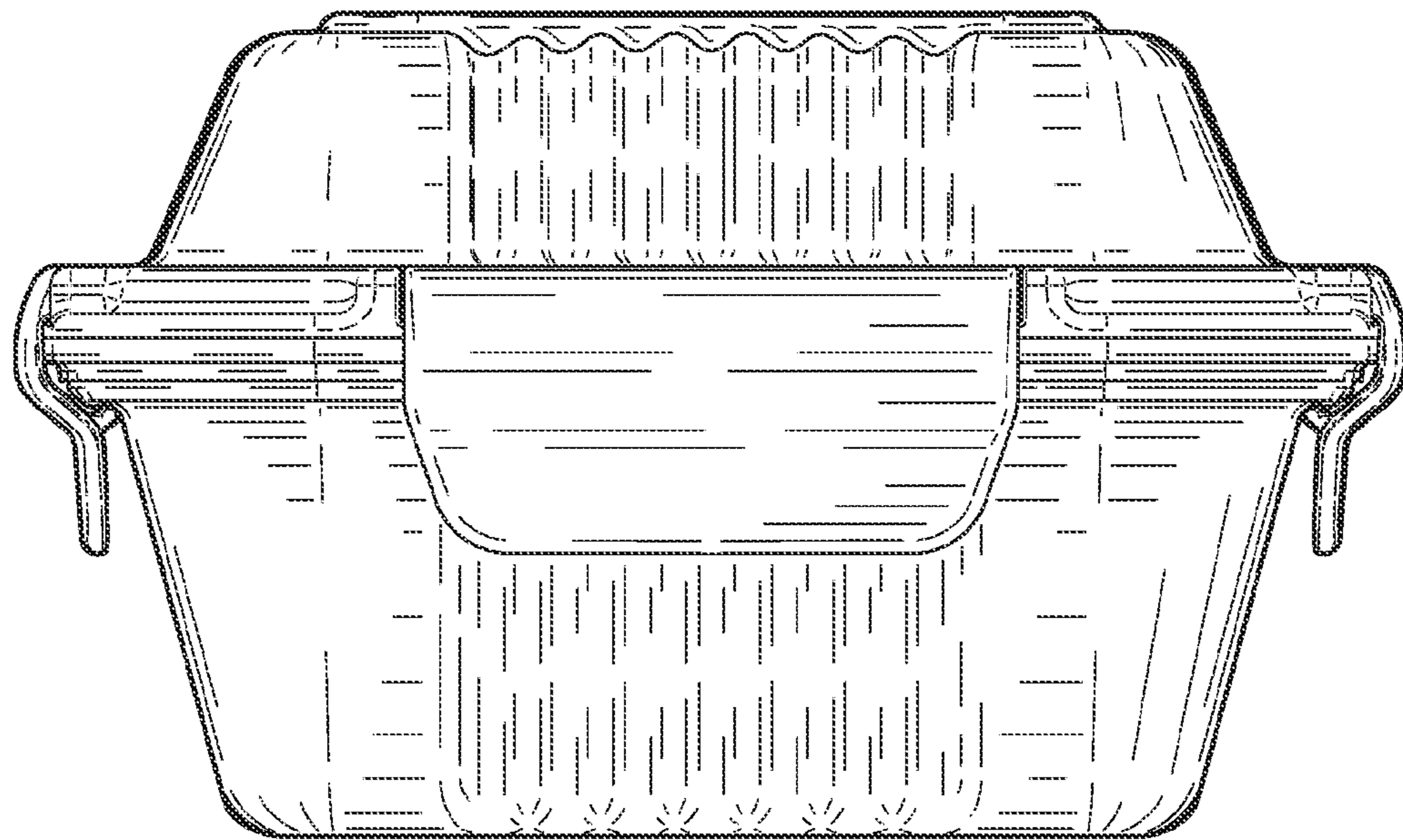


FIG. 5

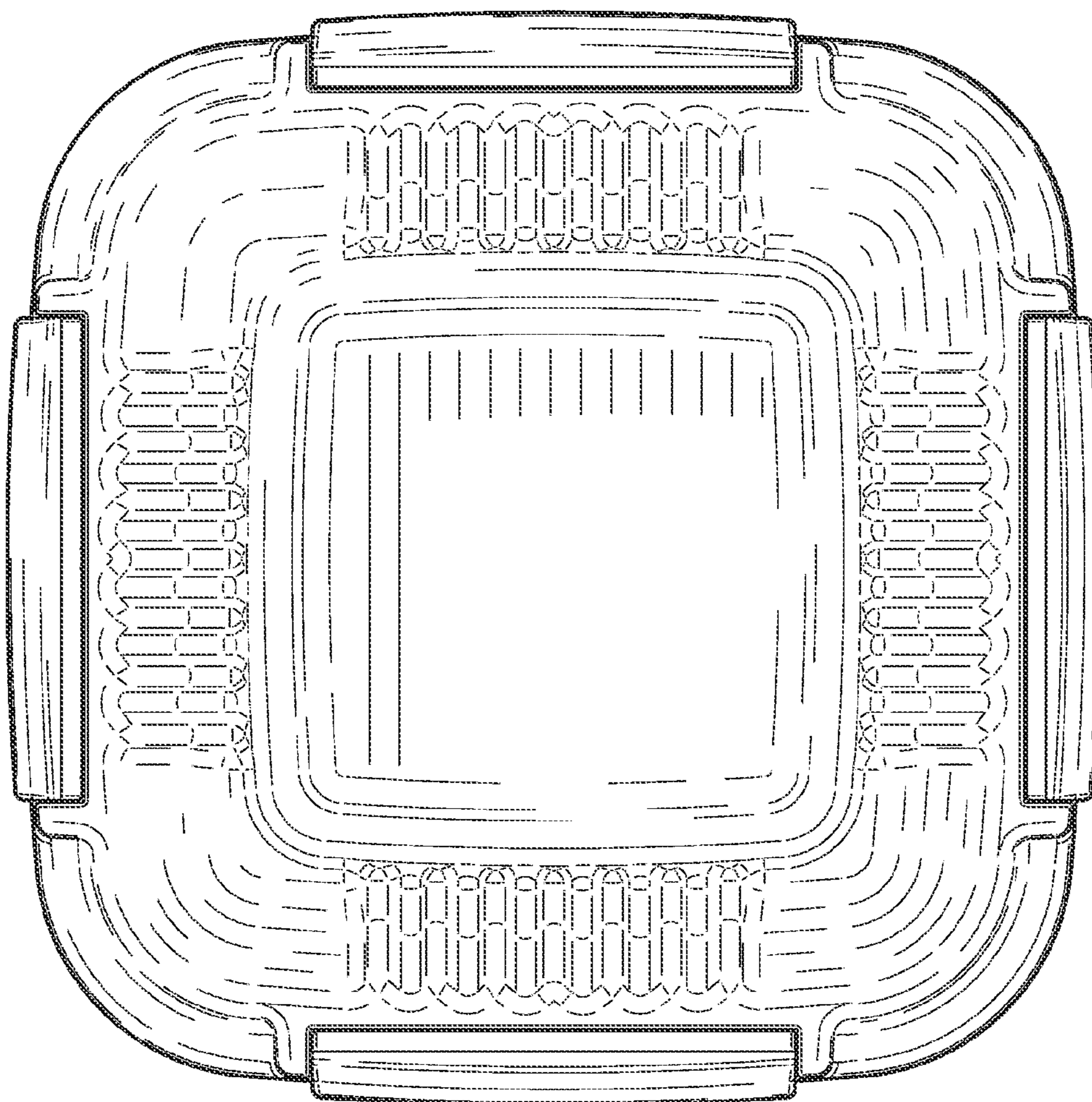


FIG. 6

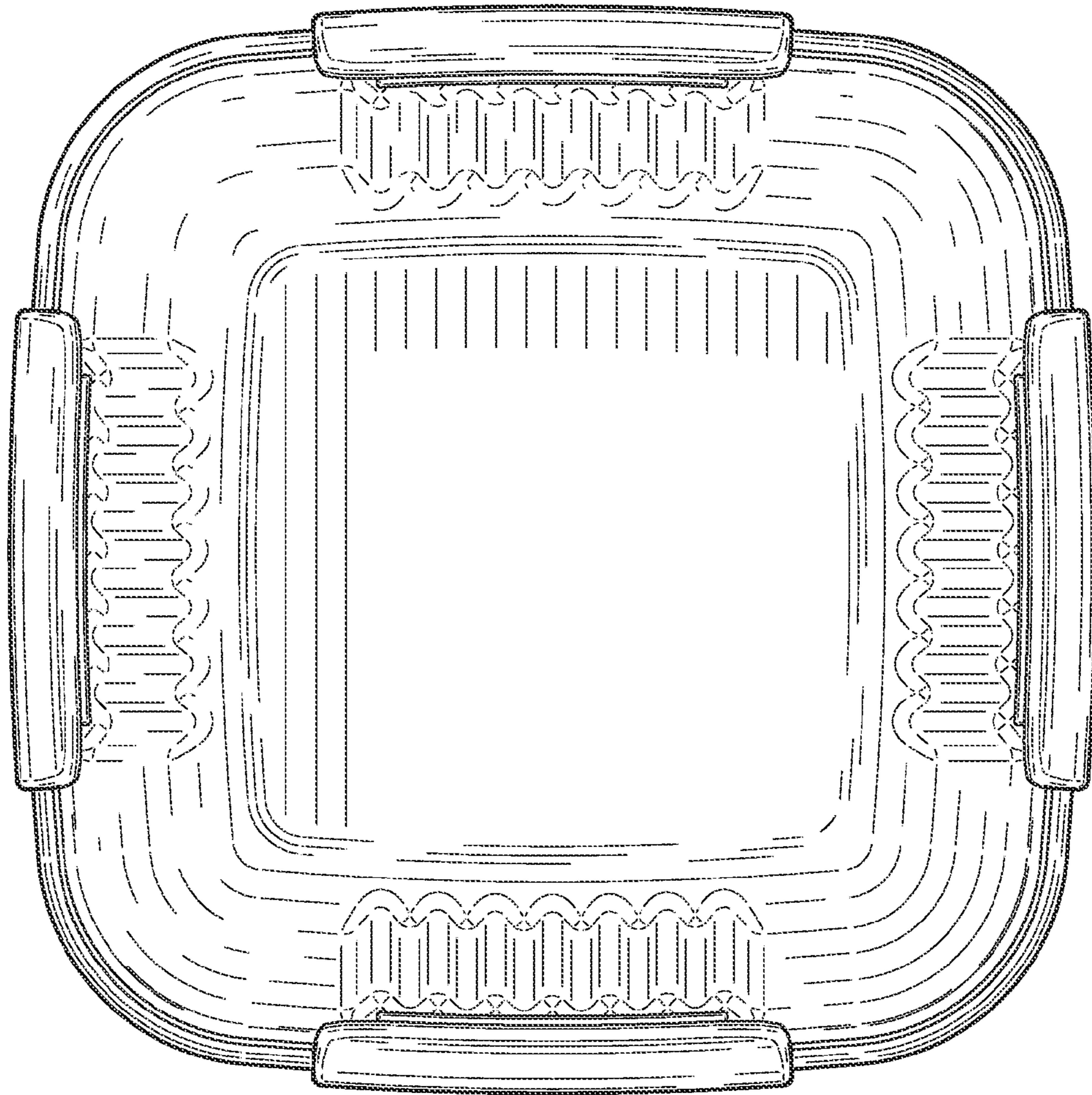


FIG. 7

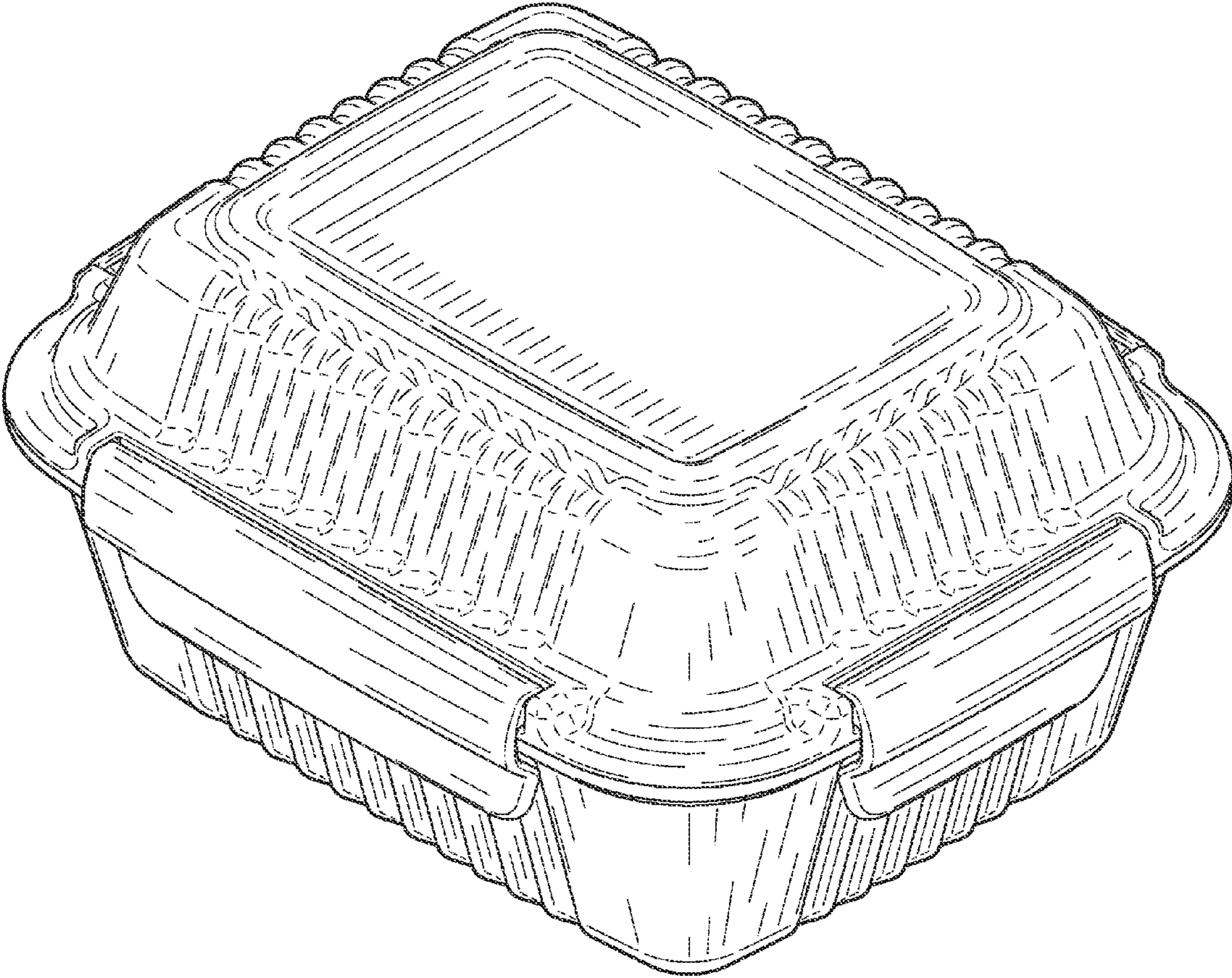


FIG. 8

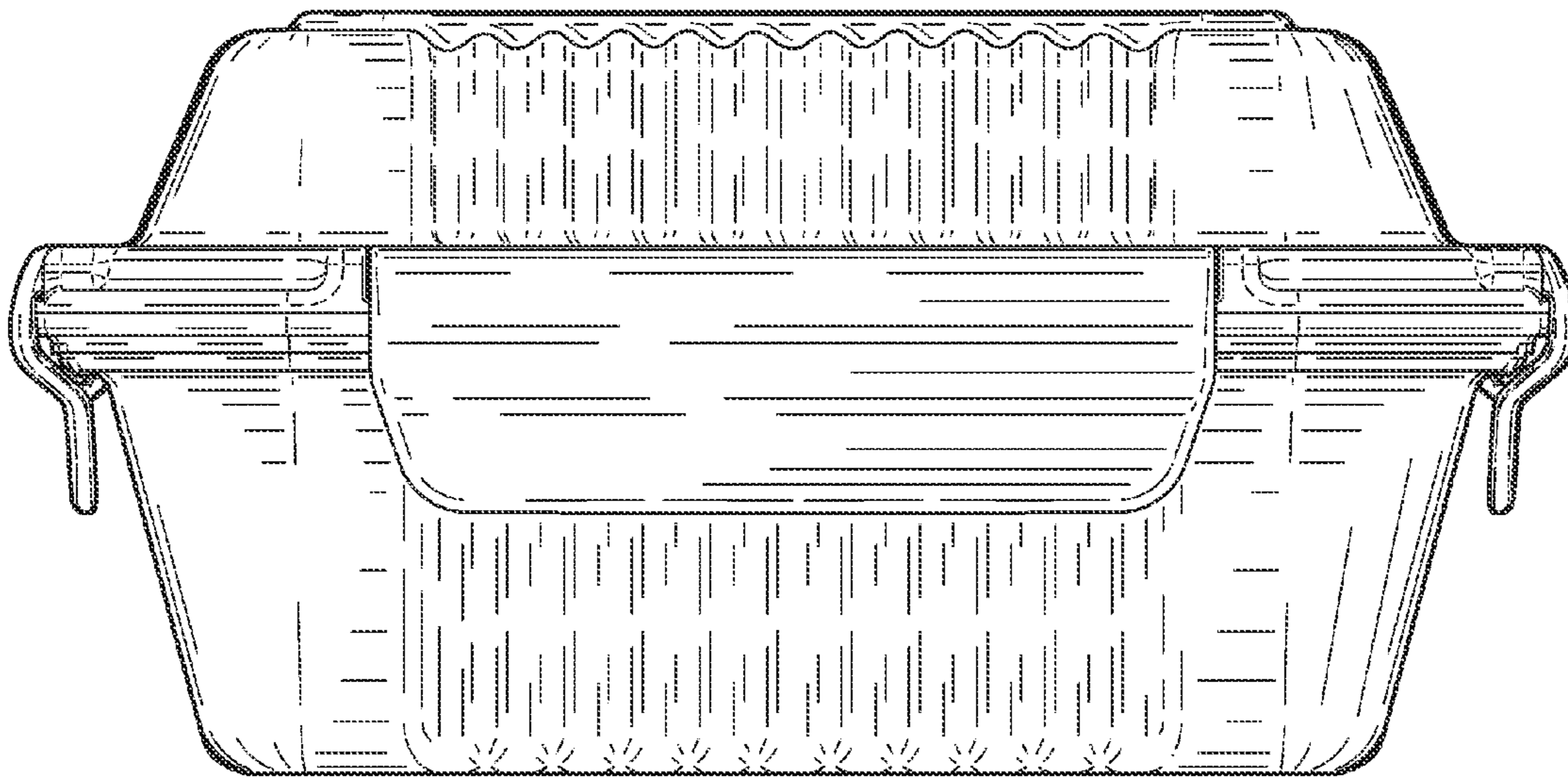


FIG. 9

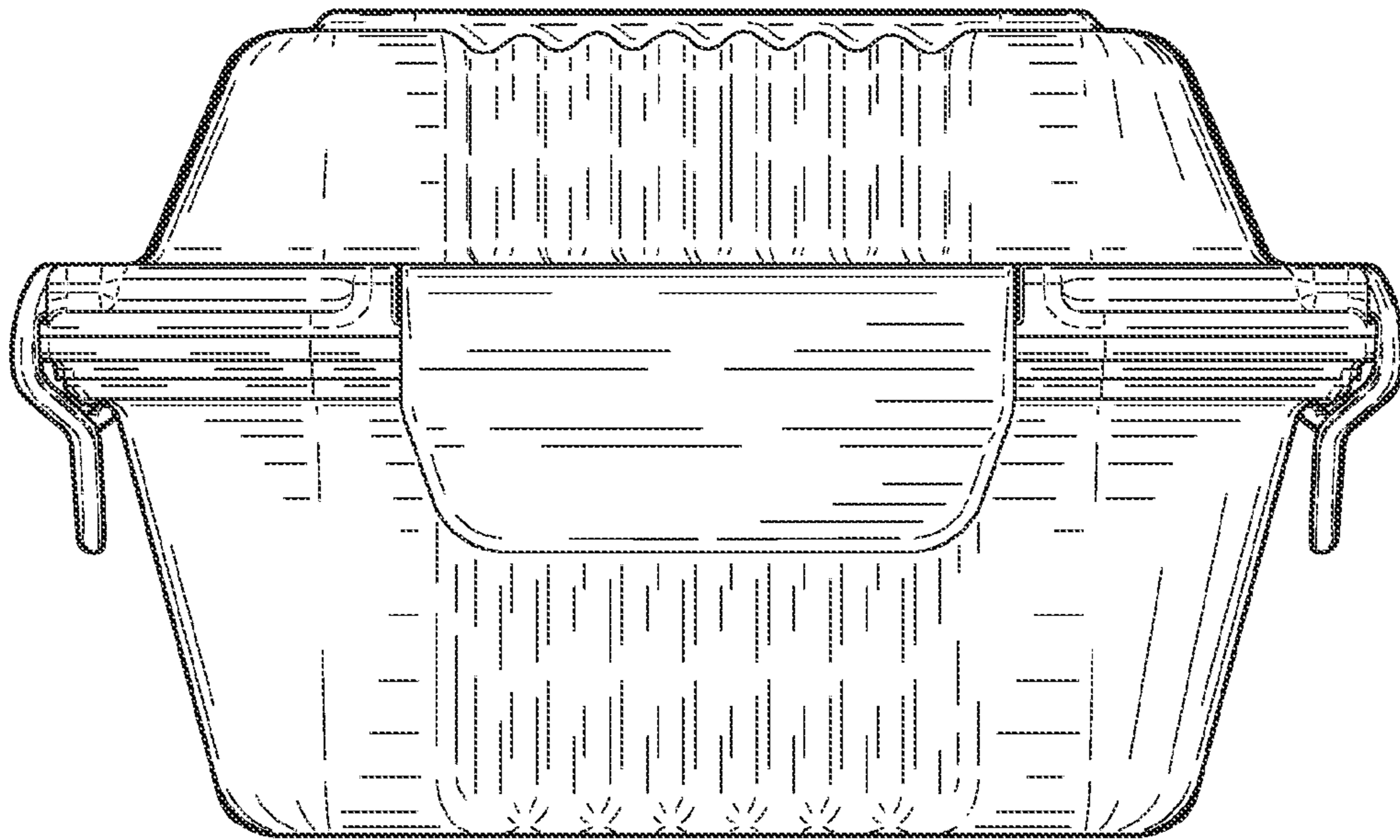


FIG. 10

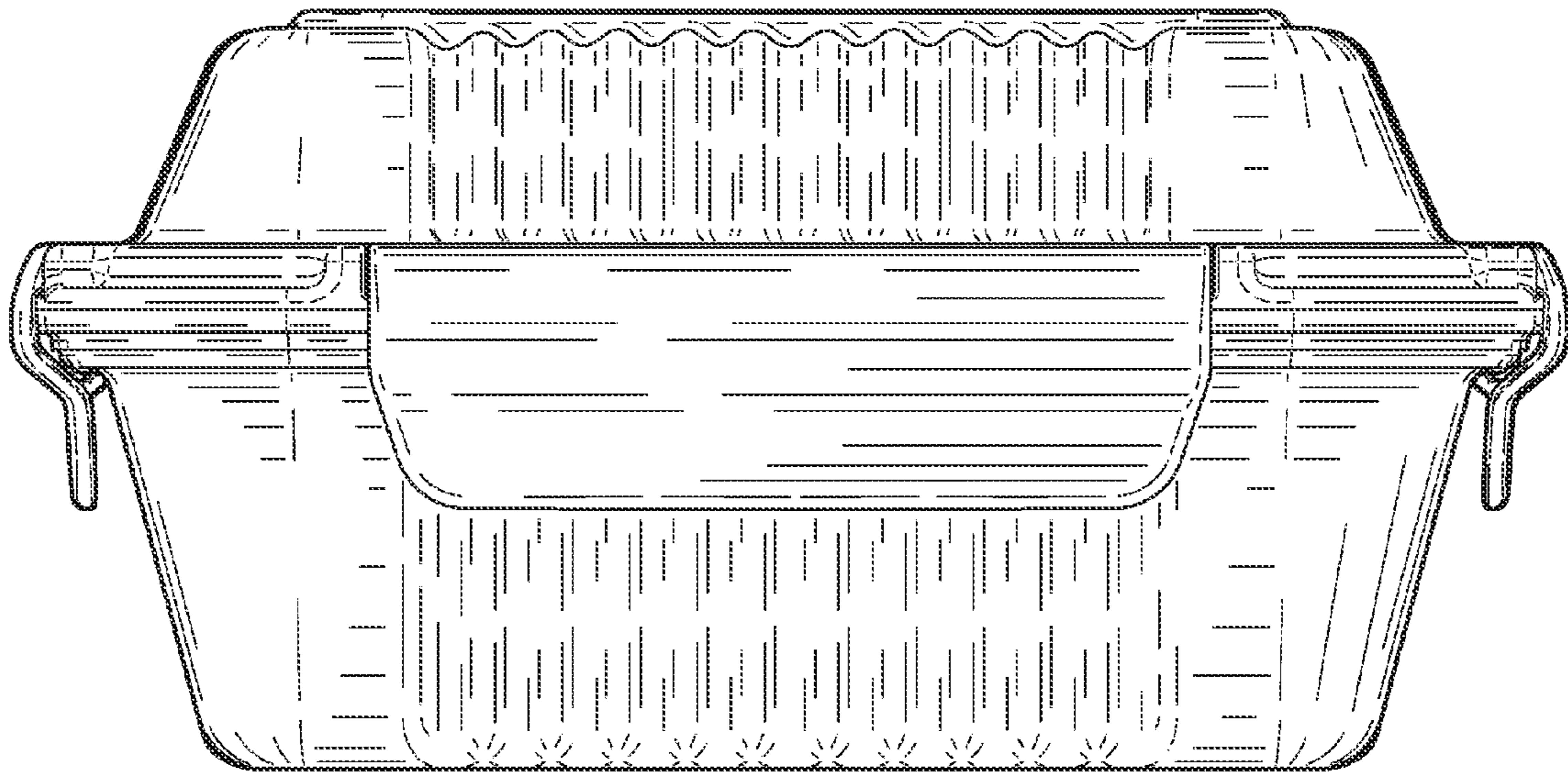


FIG. 11

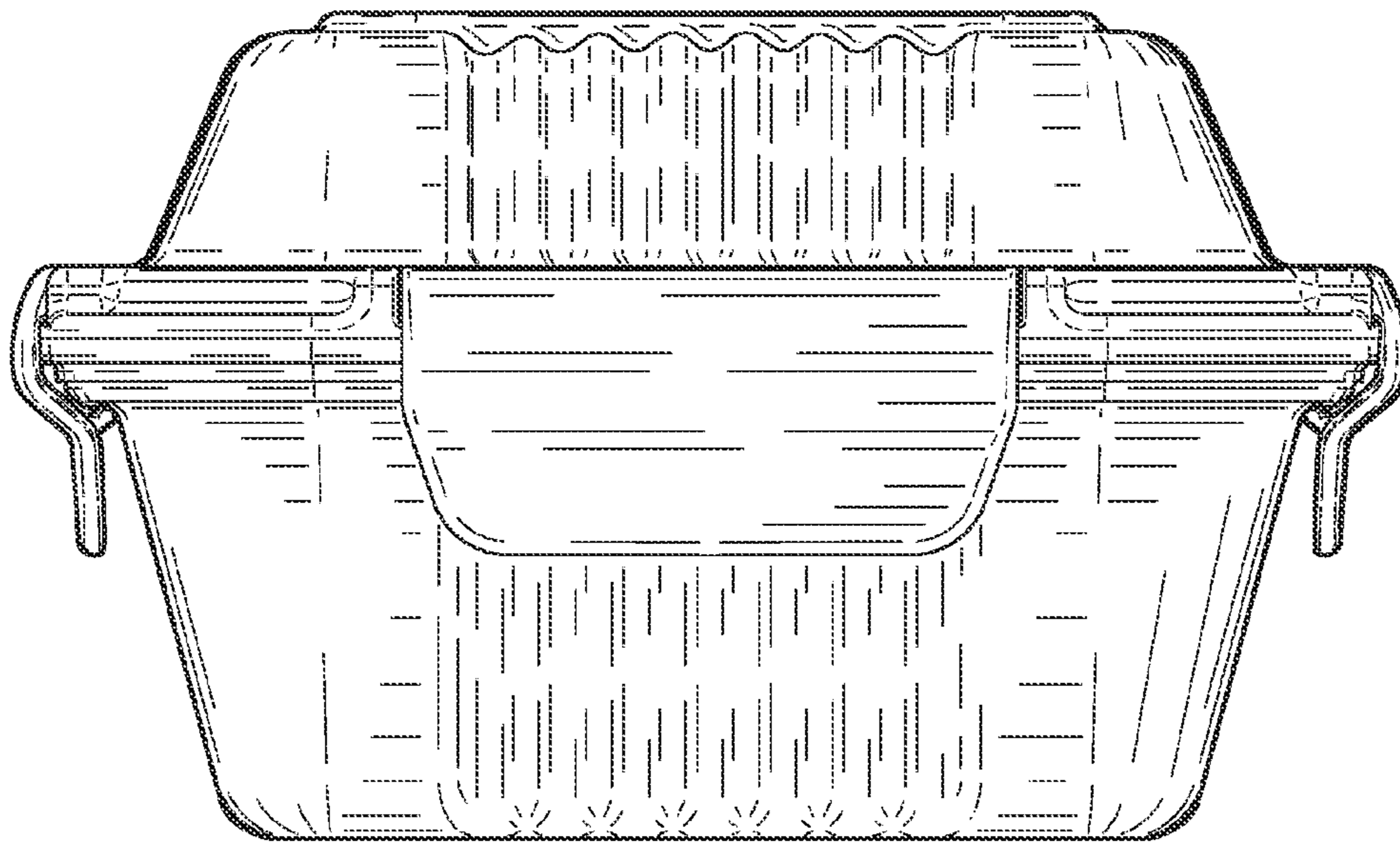


FIG. 12

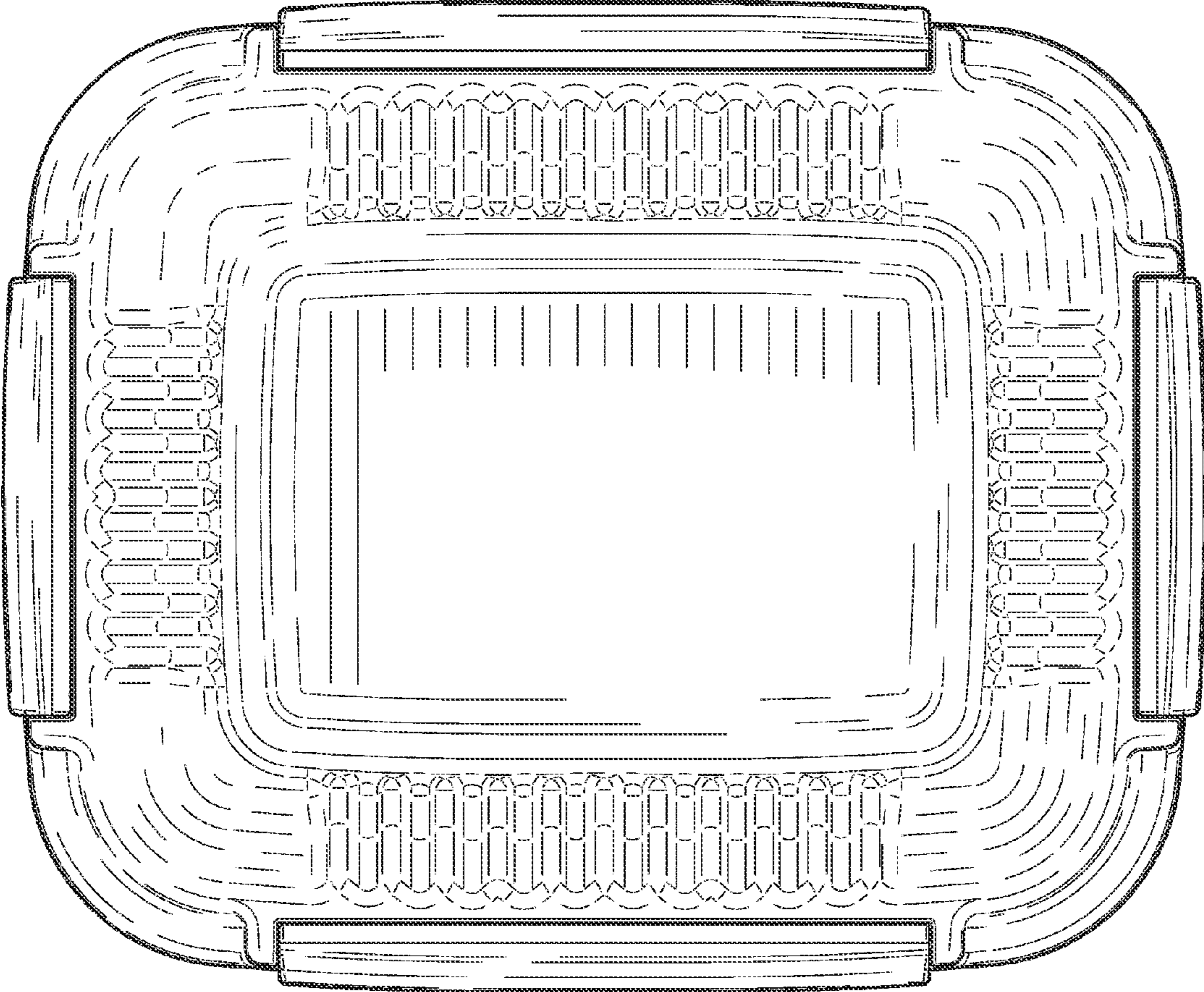


FIG. 13

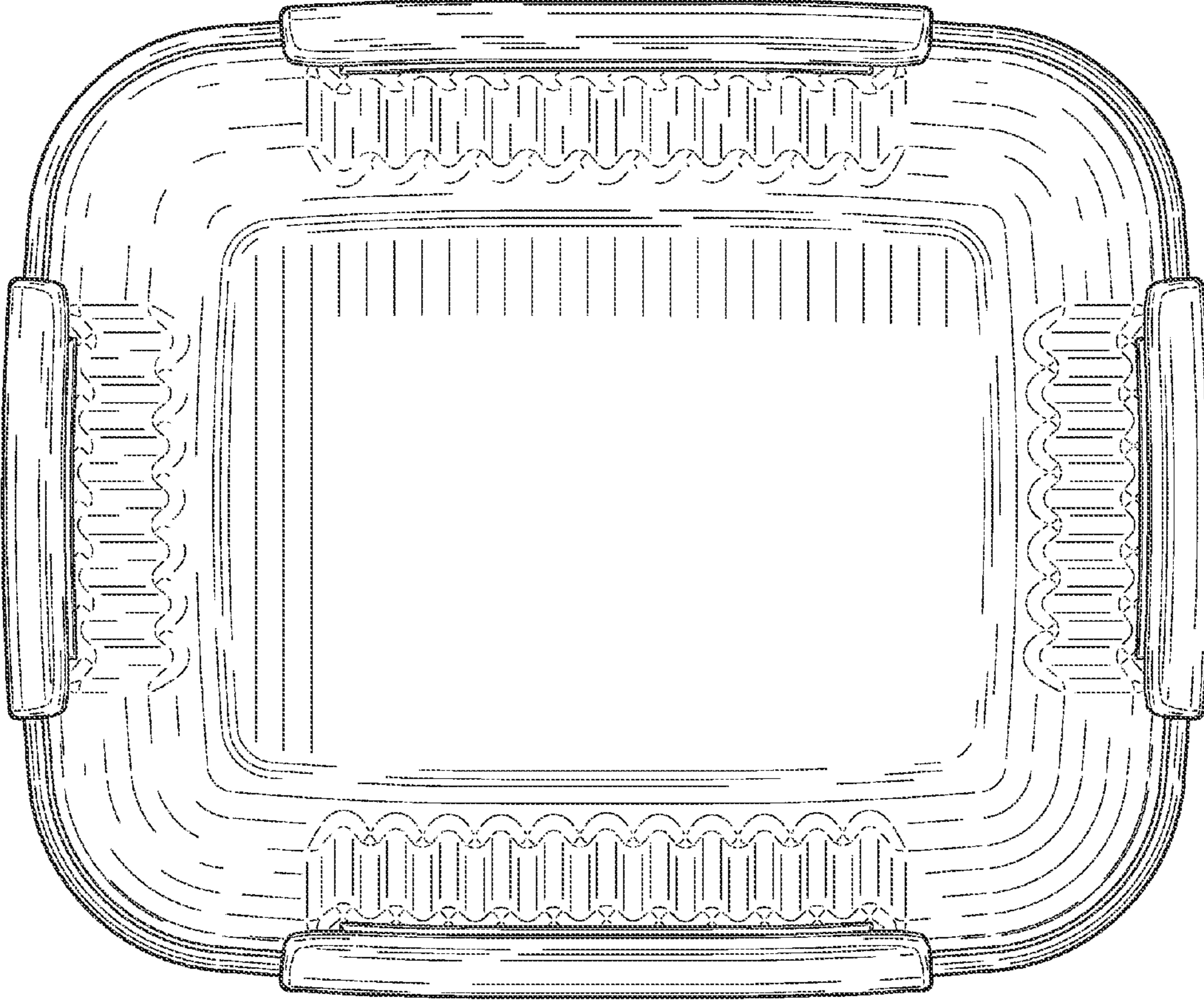


FIG. 14