



US00D688550S

(12) **United States Design Patent**
Pierre

(10) **Patent No.:** **US D688,550 S**

(45) **Date of Patent:** **** Aug. 27, 2013**

(54) **FLUID PRODUCT DISPENSER**

D541,170 S * 4/2007 Bloc D9/692
D601,039 S * 9/2009 Duquet et al. D9/732
D658,077 S * 4/2012 Newman D9/737

(75) Inventor: **Christophe Pierre**, Saint Sebastien de Morsent (FR)

(73) Assignee: **Valois SAS**, Le Neubourg (FR)

(**) Term: **14 Years**

(21) Appl. No.: **29/390,233**

(22) Filed: **Apr. 21, 2011**

(30) **Foreign Application Priority Data**

Oct. 22, 2010 (EP) 001772005-0001

(51) **LOC (9) Cl.** **09-03**

(52) **U.S. Cl.**
USPC **D9/415**

(58) **Field of Classification Search**

USPC D9/414, 416, 424, 425, 428, 740-741;
D3/203.3, 219, 263-265; D24/218, 226
See application file for complete search history.

(56) **References Cited**

U.S. PATENT DOCUMENTS

D511,690 S * 11/2005 Garcia et al. D9/682
D525,879 S * 8/2006 Ueda et al. D9/756

OTHER PUBLICATIONS

<http://electrocat-electrocat.blogspot.com/2012/05/lust-have-it-may-2012.html>.
<http://perfumageek.blogspot.com/2011/02/paris-hilton-fairy-dust-fragrance.html>.
<http://www.ebay.com/itm/4-Chanel-Chance-Perfume-Sample-Travel-Size-Bubble-Card-NE>
<http://www.britishbeautyblogger.com/2012/08/best-ever-sample-from-sephorafr.html>.

* cited by examiner

Primary Examiner — Robert M Spear

Assistant Examiner — Rhea Shields

(74) *Attorney, Agent, or Firm* — Sughrue Mion, PLLC

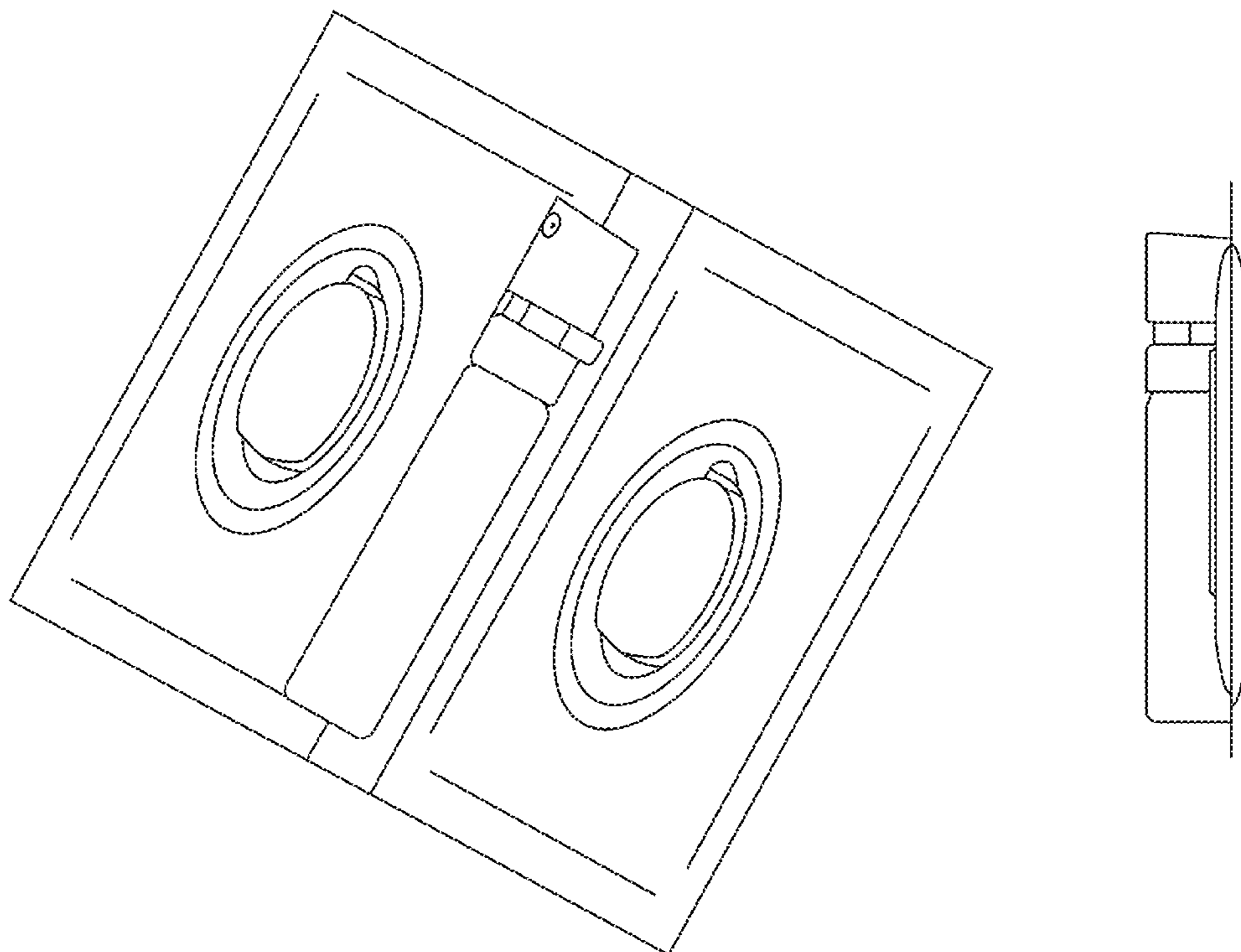
(57) **CLAIM**

The ornamental design for a fluid product dispenser, as shown and described.

DESCRIPTION

FIG. 1 is a perspective view;
FIG. 2 is a side left view;
FIG. 3 is a side right view;
FIG. 4 is a front view;
FIG. 5 is a rear view;
FIG. 6 is a bottom view; and,
FIG. 7 is a top view.

1 Claim, 5 Drawing Sheets



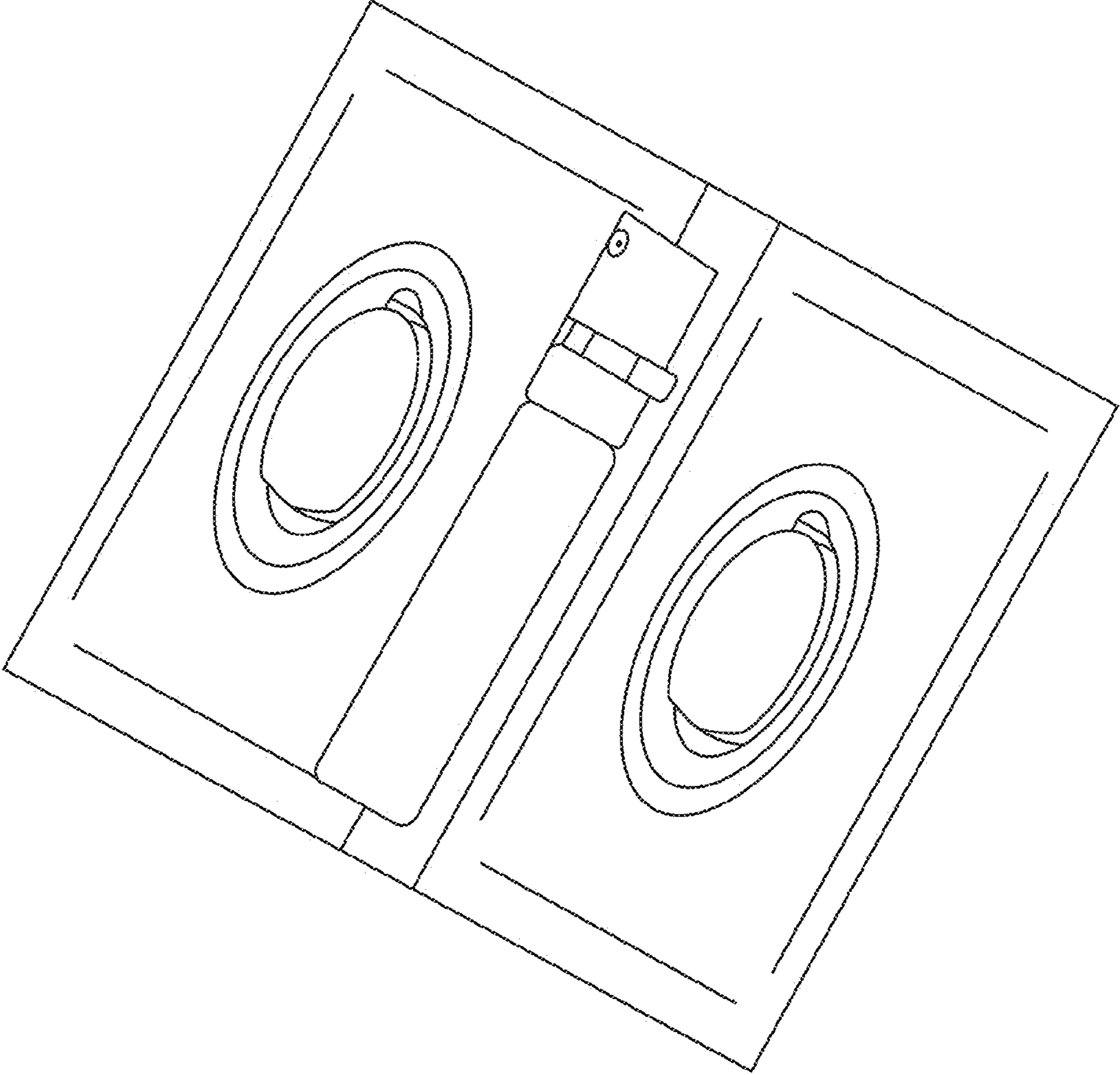


FIG. 1

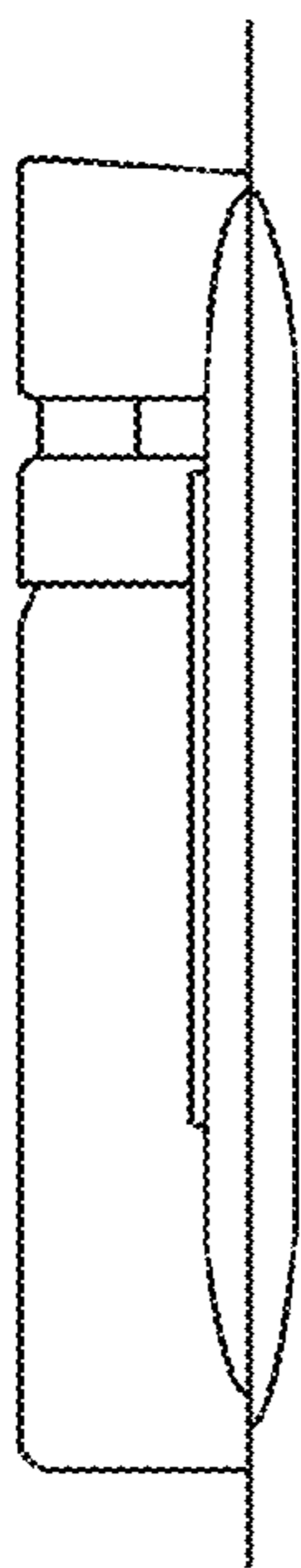


FIG. 2

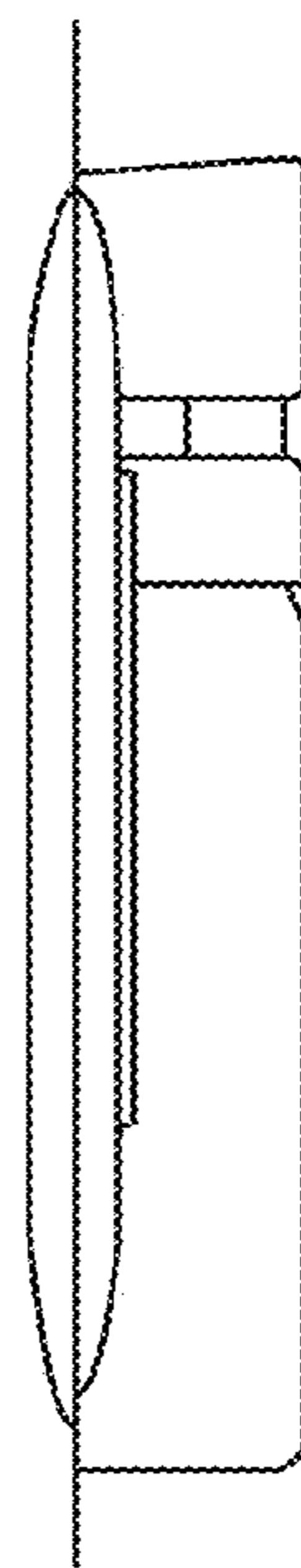


FIG. 3

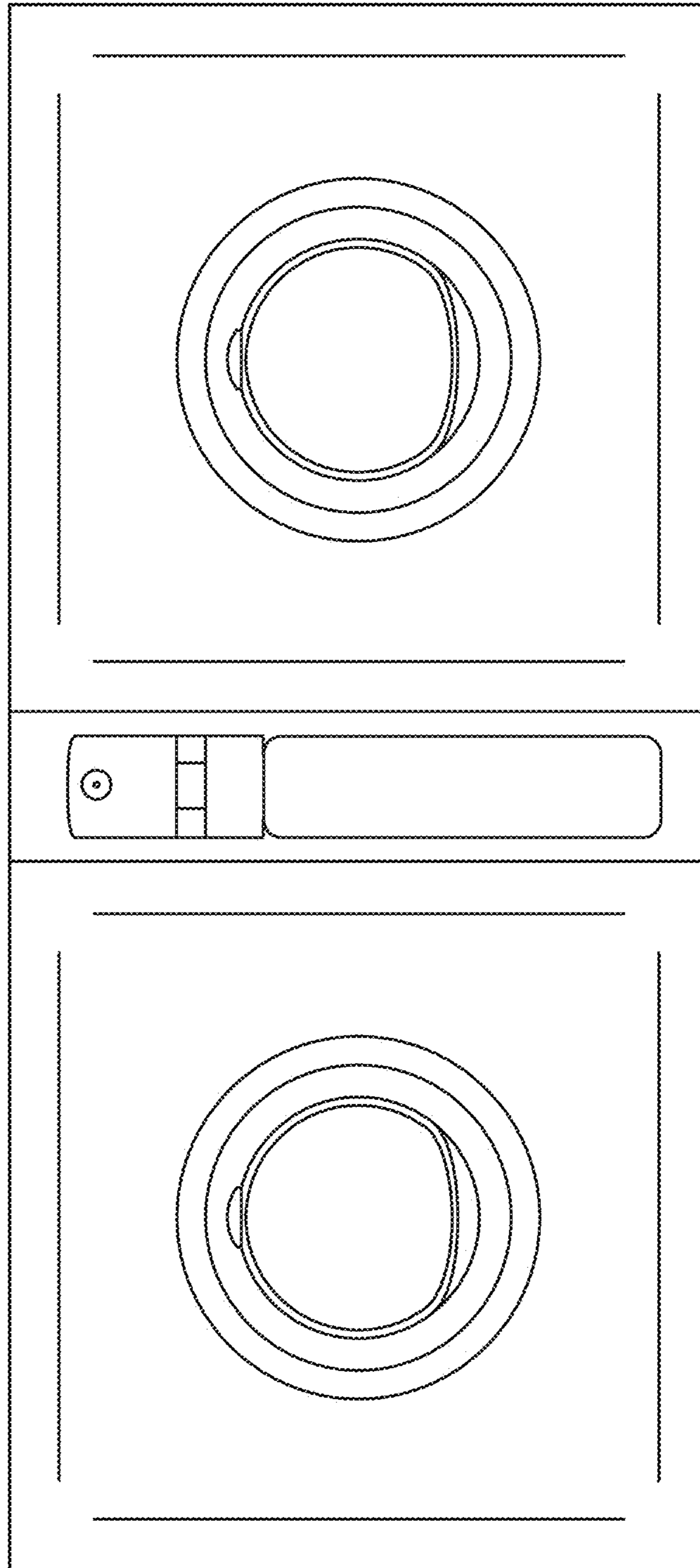


FIG. 4



FIG. 5

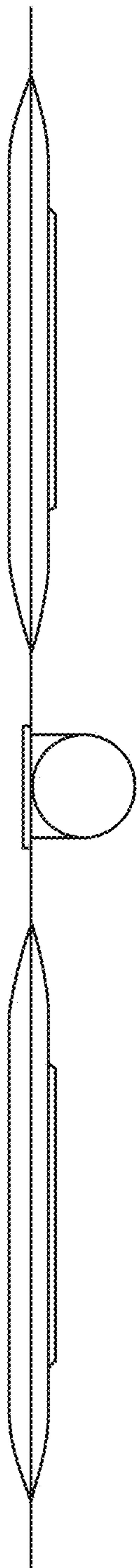


FIG. 6

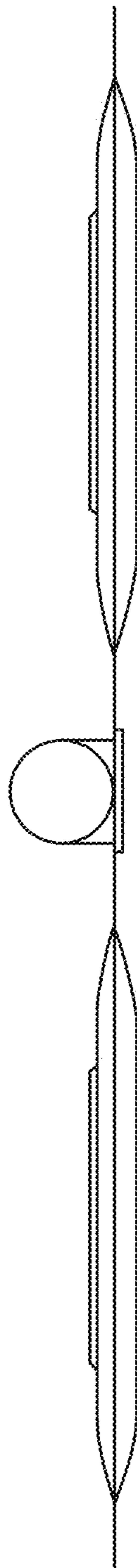


FIG. 7