



US00D688547S

(12) **United States Design Patent**  
**Waugh et al.**

(10) **Patent No.:** **US D688,547 S**

(45) **Date of Patent:** **\*\* Aug. 27, 2013**

(54) **MOUNTING BRACKET**

(75) Inventors: **Darren Trevor Waugh**, Victoria (AU);  
**Warwick John Drenth**, Victoria (AU)

(73) Assignee: **Vehicle Development Corporation Pty Ltd.**, Victoria (AU)

(\*\*) Term: **14 Years**

(21) Appl. No.: **29/406,412**

(22) Filed: **Nov. 14, 2011**

(30) **Foreign Application Priority Data**

May 13, 2011 (AU) ..... 201112169

(51) **LOC (9) Cl.** ..... **08-08**

(52) **U.S. Cl.**  
USPC ..... **D8/349; D8/354**

(58) **Field of Classification Search**  
USPC ..... D8/349, 354, 380, 382, 366; 248/300,  
248/237, 309.1; 52/188, 182, 191, 702, 712,  
52/745.06, 189, 506.5, 586.1; 29/428, 525.01,  
29/464; 249/14, 205, 208; 403/167, 169  
See application file for complete search history.

(56) **References Cited**

**U.S. PATENT DOCUMENTS**

|              |         |                      |       |         |
|--------------|---------|----------------------|-------|---------|
| D248,447 S * | 7/1978  | Hornung              | ..... | D8/354  |
| D263,730 S * | 4/1982  | Oribin               | ..... | D21/839 |
| D283,485 S * | 4/1986  | Rader et al.         | ..... | D8/354  |
| D288,281 S * | 2/1987  | Spicer               | ..... | D8/373  |
| D322,551 S * | 12/1991 | Tosevski             | ..... | D8/349  |
| D326,604 S * | 6/1992  | Stubbersfield et al. | ..... | D8/373  |

|               |         |                |       |         |
|---------------|---------|----------------|-------|---------|
| 5,170,977 A * | 12/1992 | McMillan       | ..... | 248/300 |
| D484,029 S *  | 12/2003 | Bainbridge     | ..... | D8/380  |
| D489,601 S *  | 5/2004  | Meeker         | ..... | D8/380  |
| D531,490 S *  | 11/2006 | Walker         | ..... | D8/380  |
| D551,537 S *  | 9/2007  | Richardson     | ..... | D8/354  |
| D555,468 S *  | 11/2007 | Caswell et al. | ..... | D8/380  |
| D579,321 S *  | 10/2008 | Townley        | ..... | D8/354  |
| D610,439 S *  | 2/2010  | Wood           | ..... | D8/381  |
| D612,224 S *  | 3/2010  | Wendt          | ..... | D8/354  |
| D633,781 S *  | 3/2011  | Wood           | ..... | D8/381  |

\* cited by examiner

*Primary Examiner* — Mark Goodwin

(74) *Attorney, Agent, or Firm* — Allen, Dyer, Doppelt, Milbrath & Gilchrist, P.A.

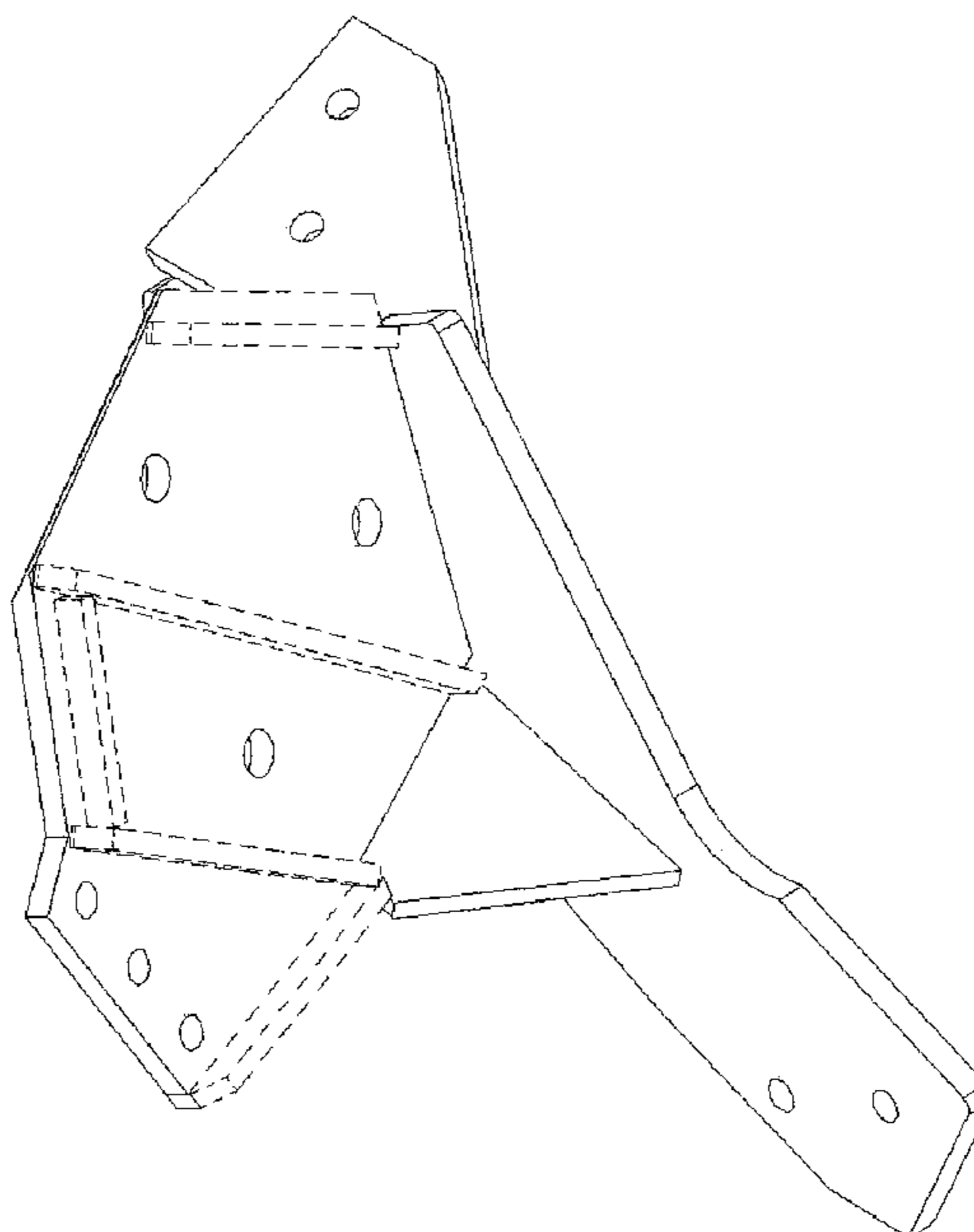
(57) **CLAIM**

It is claimed the ornamental design for the mounting bracket, as shown and described in the accompanying figures.

**DESCRIPTION**

FIG. 1 is a front, isometric view of the mounting bracket according to the present design;  
FIG. 2 is a top view of the mounting bracket of FIG. 1;  
FIG. 3 is a right side view of the mounting bracket of FIG. 1;  
FIG. 4 is a left side view of the mounting bracket of FIG. 1;  
FIG. 5 is a front view of the mounting bracket of FIG. 1;  
FIG. 6 is a rear view of the mounting bracket of FIG. 1; and,  
FIG. 7 is a bottom view of the mounting bracket of FIG. 1.  
The broken line showing of various surface features is included for the purpose of illustrating portions of the mounting bracket and forms no part of the claimed design.

**1 Claim, 7 Drawing Sheets**



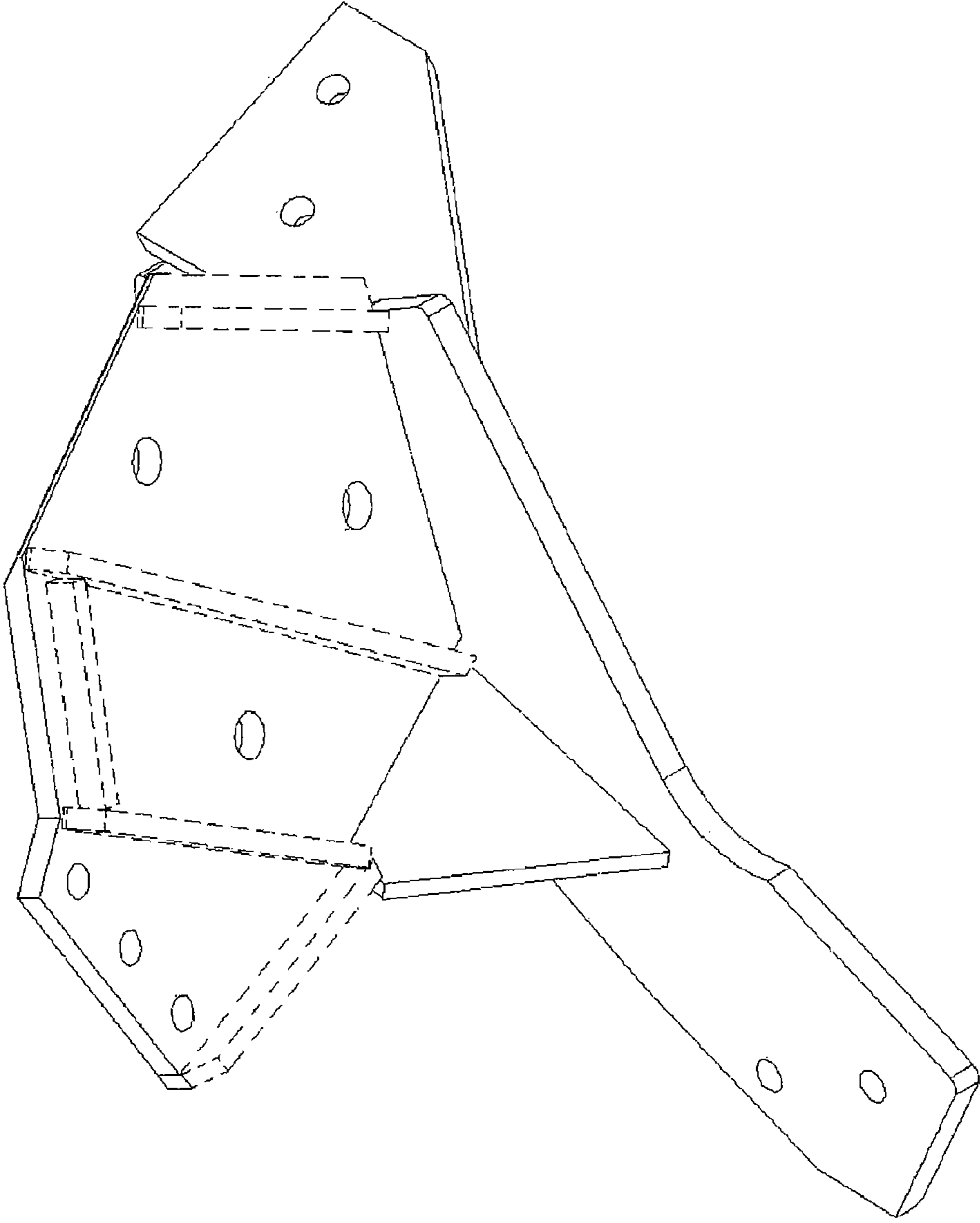


FIG. 1

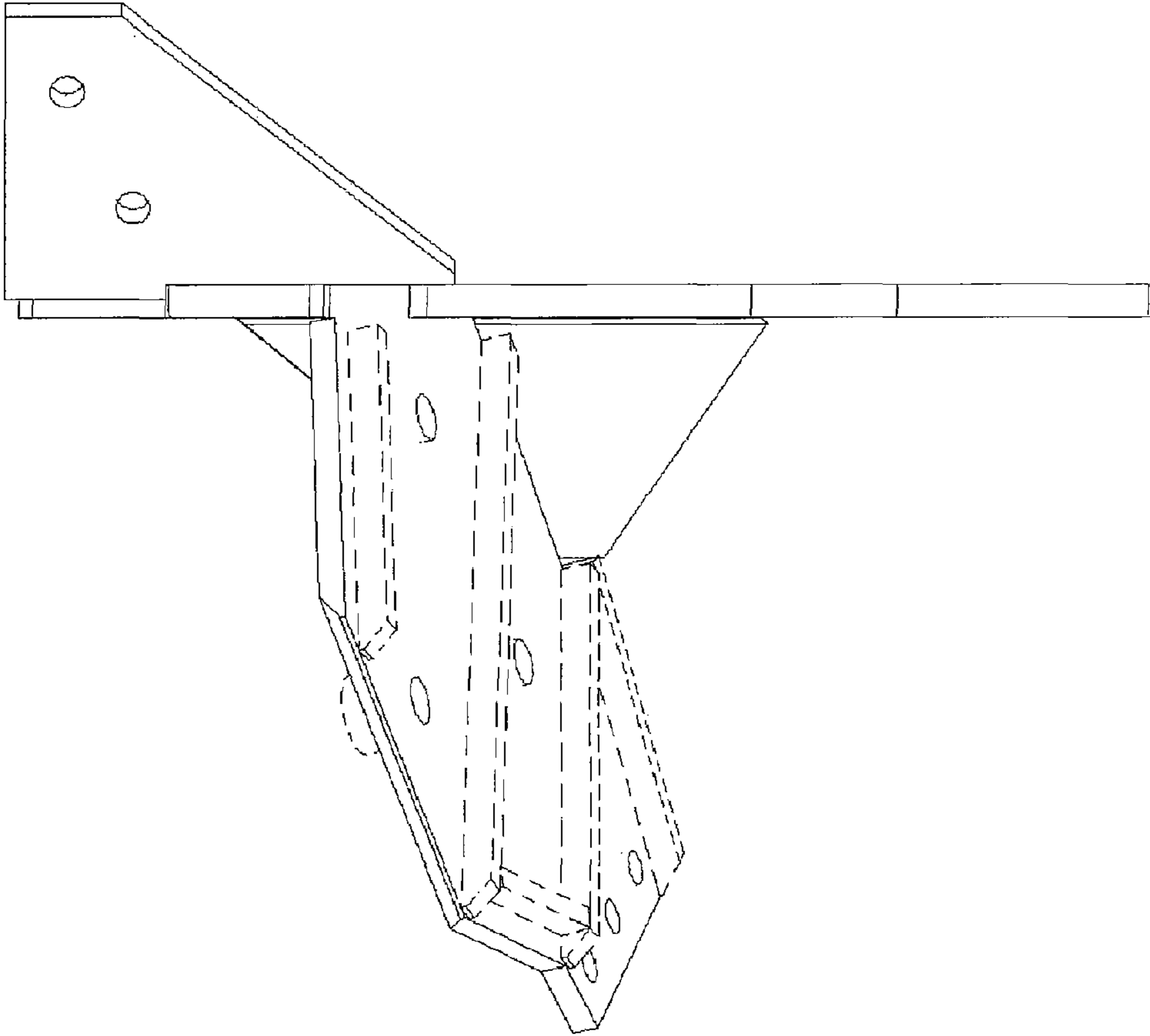


FIG. 2

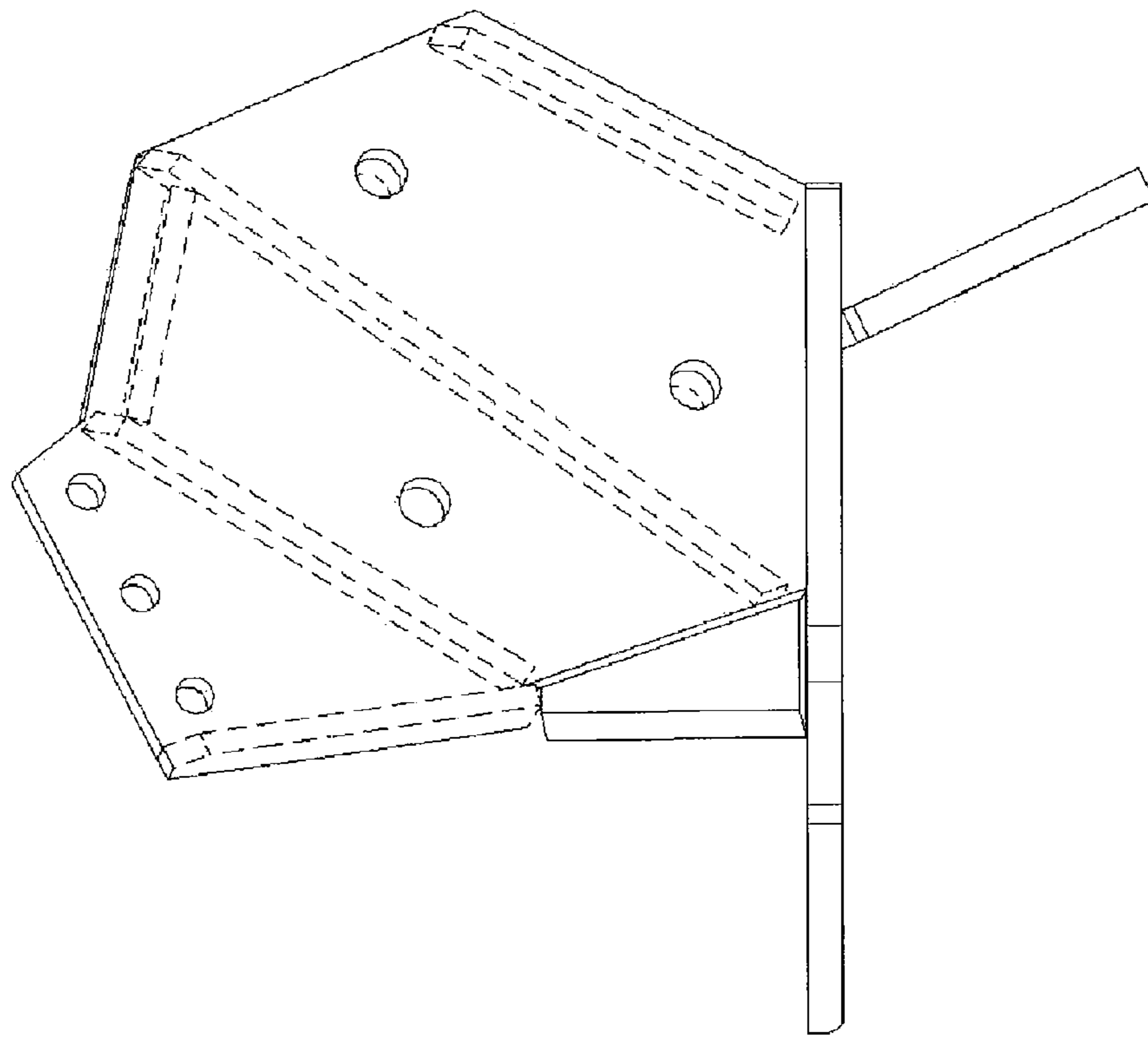


FIG. 3

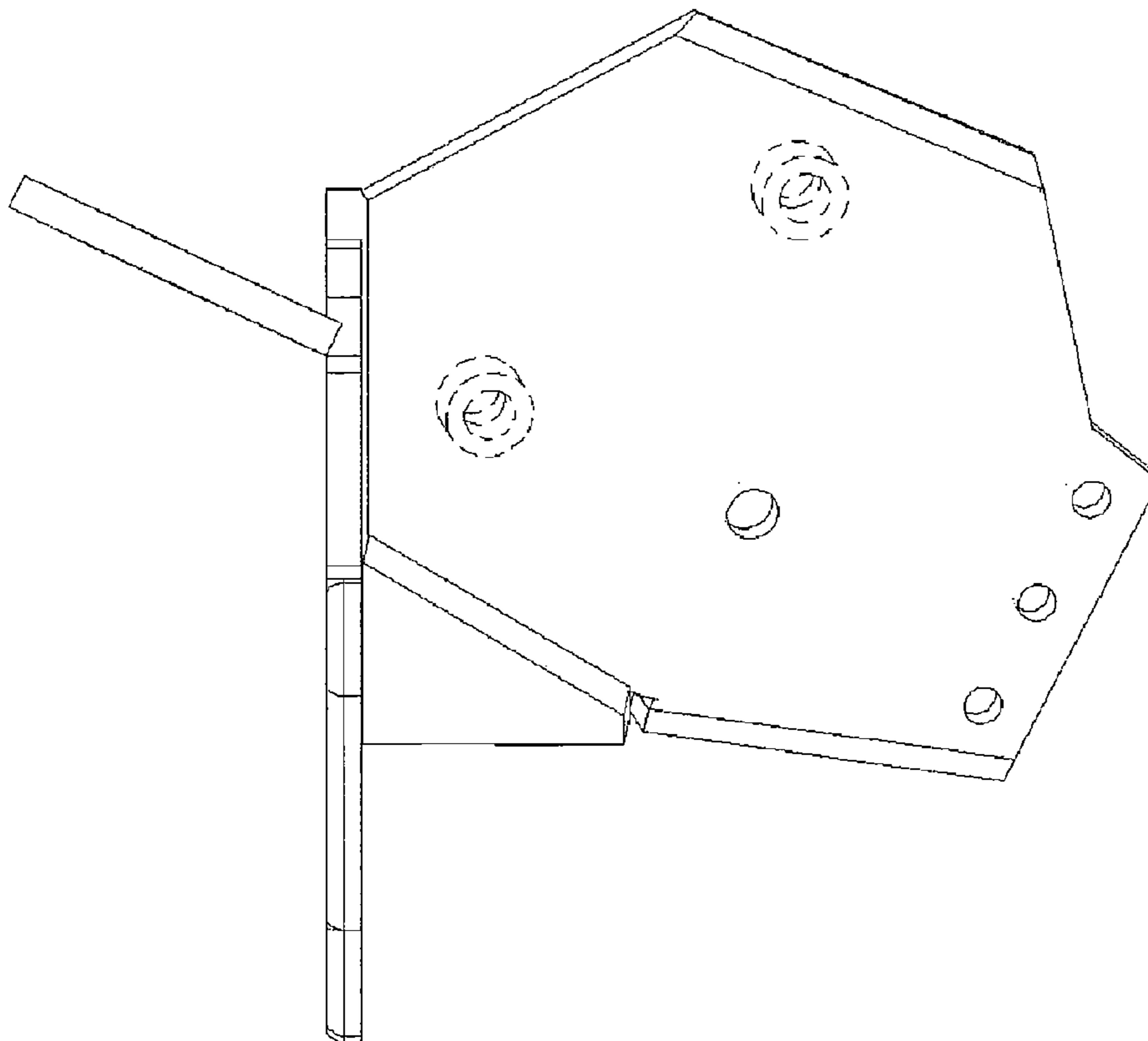


FIG. 4

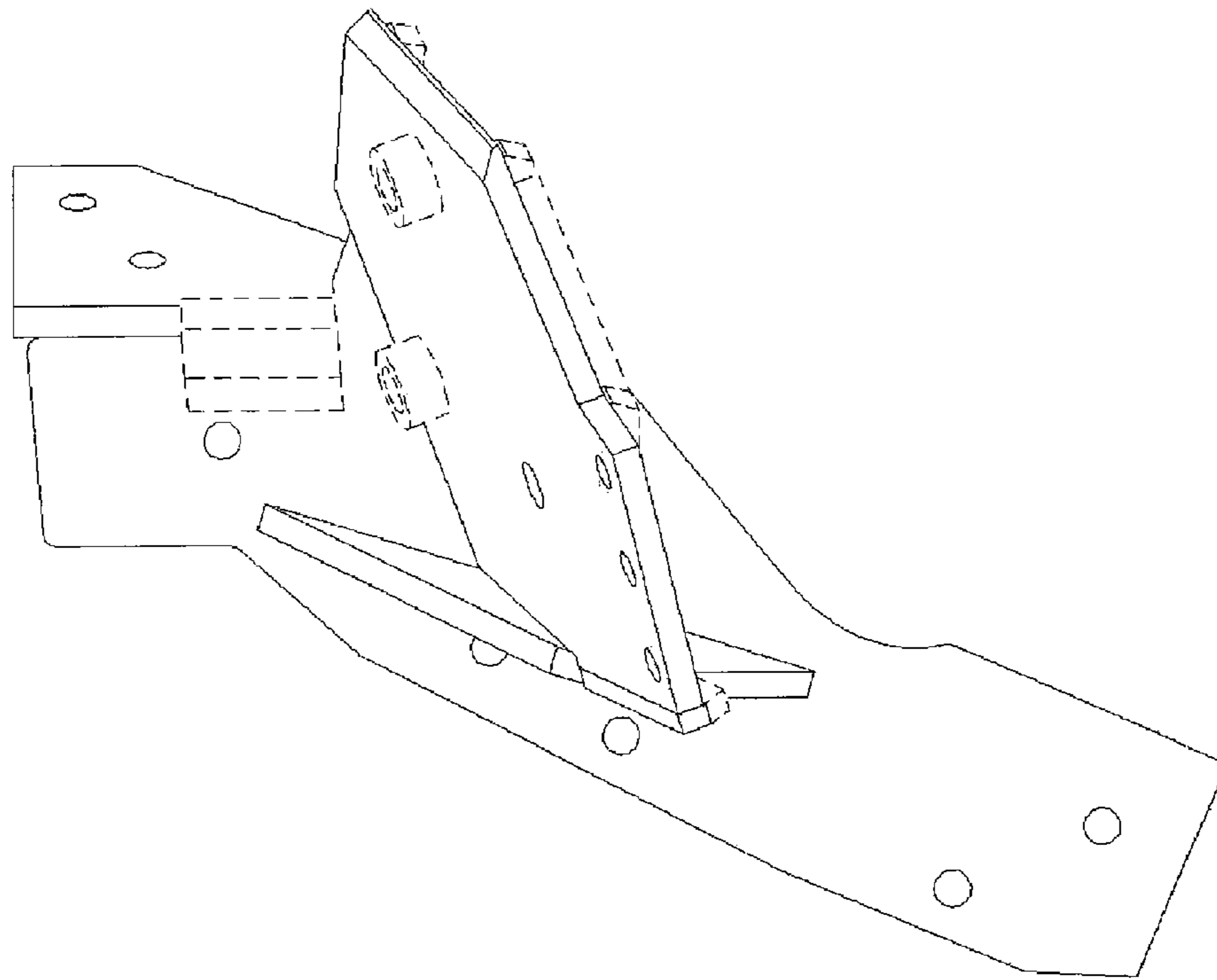


FIG. 5

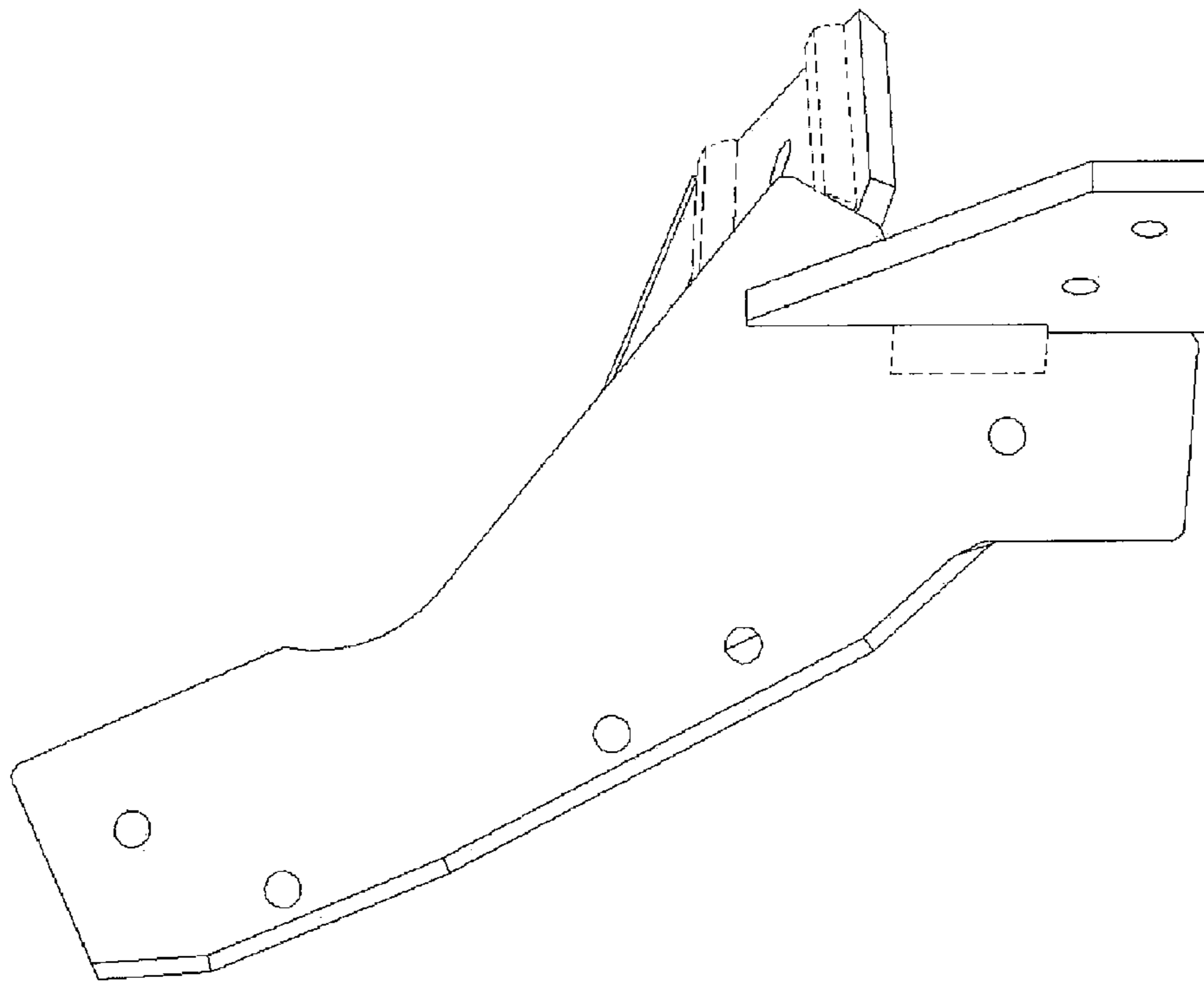


FIG. 6

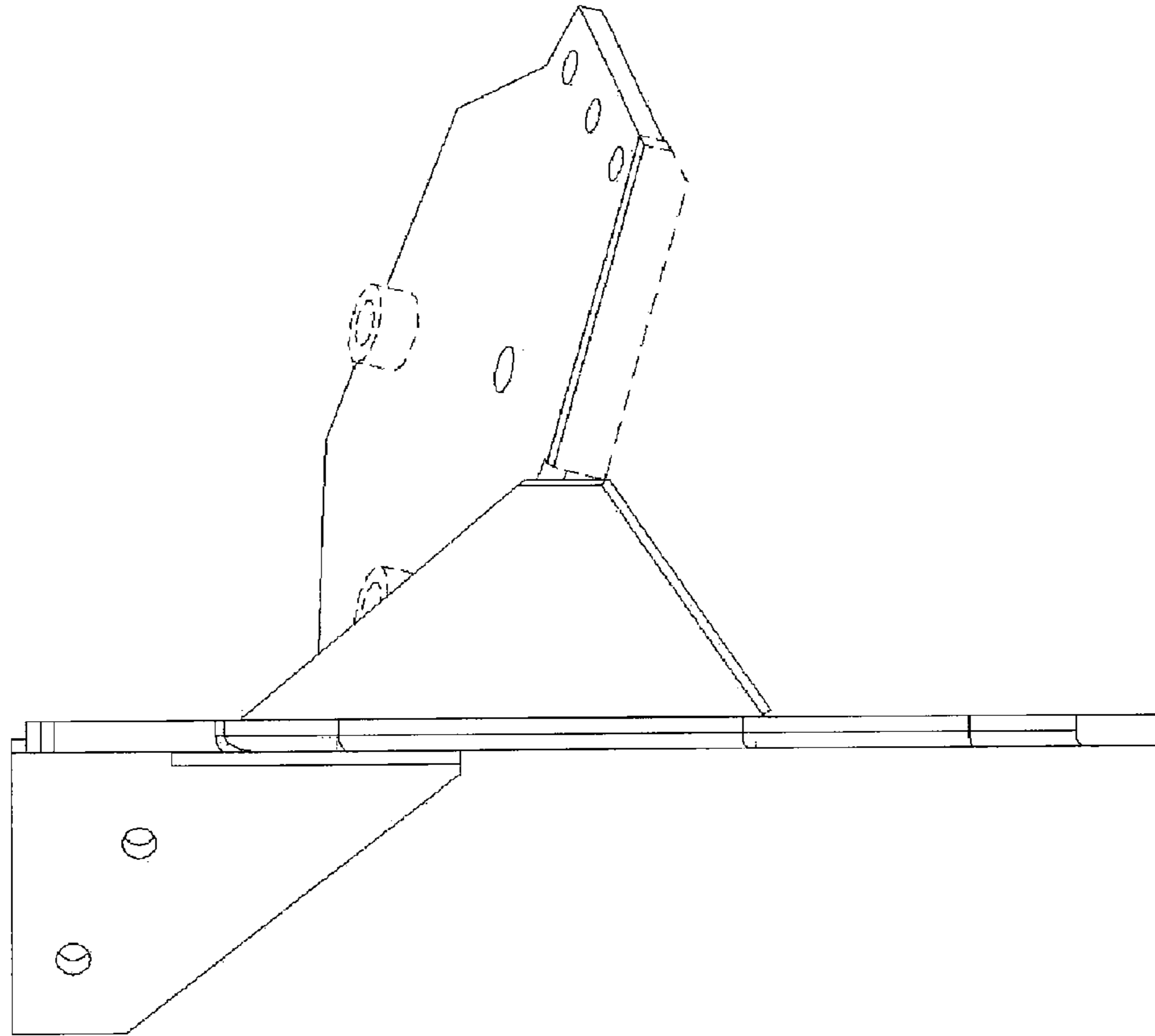


FIG. 7