



US00D688546S

(12) **United States Design Patent**
Stevens et al.

(10) **Patent No.:** **US D688,546 S**

(45) **Date of Patent:** **** Aug. 27, 2013**

(54) **LOCK**

(75) Inventors: **Scott B. Stevens**, St. Francis, WI (US);
Zachery T. Nave, Oak Creek, WI (US)

(73) Assignee: **Master Lock Company LLC**, Oak
Creek, WI (US)

(**) Term: **14 Years**

(21) Appl. No.: **29/431,632**

(22) Filed: **Sep. 10, 2012**

Related U.S. Application Data

(62) Division of application No. 29/404,732, filed on Oct.
25, 2011, now Pat. No. Des. 673,836.

(51) **LOC (9) Cl.** **08-07**

(52) **U.S. Cl.**
USPC **D8/334**

(58) **Field of Classification Search**
USPC D8/330, 331, 334, 333, 335, 339;
70/20, 24-29, 31, 35, 38 R, 40-48, 14
See application file for complete search history.

(56) **References Cited**

U.S. PATENT DOCUMENTS

548,757 A	10/1895	Kellogg	
1,239,010 A	9/1917	Hodges	
1,415,327 A	5/1922	Fonos	
1,866,273 A	7/1932	Sinner	
1,902,214 A	3/1933	Buettner et al.	
1,942,454 A *	1/1934	Samburg	70/25
2,132,201 A	10/1938	Allman	
2,931,204 A	4/1969	Check	
3,952,559 A	4/1976	Atkinson	
4,224,813 A	9/1980	Hampton	

4,421,311 A	12/1983	Sebesteny	
4,422,311 A *	12/1983	Zabel et al.	70/25
D276,408 S	11/1984	Zabel et al.	
4,754,626 A	7/1988	Siegel	
5,345,794 A	9/1994	Jenks	
D360,348 S	7/1995	Kusmiss	
5,522,243 A	6/1996	Kusmiss	
5,572,890 A	11/1996	Carpenter	
D396,798 S	8/1998	Adelmeyer et al.	
D397,026 S	8/1998	Drake	
D416,467 S	11/1999	Castellanos et al.	

(Continued)

FOREIGN PATENT DOCUMENTS

JP 76401 10/1937

Primary Examiner — Prabhakar Deshmukh

(74) *Attorney, Agent, or Firm* — Calfee, Halter & Griswold
LLP

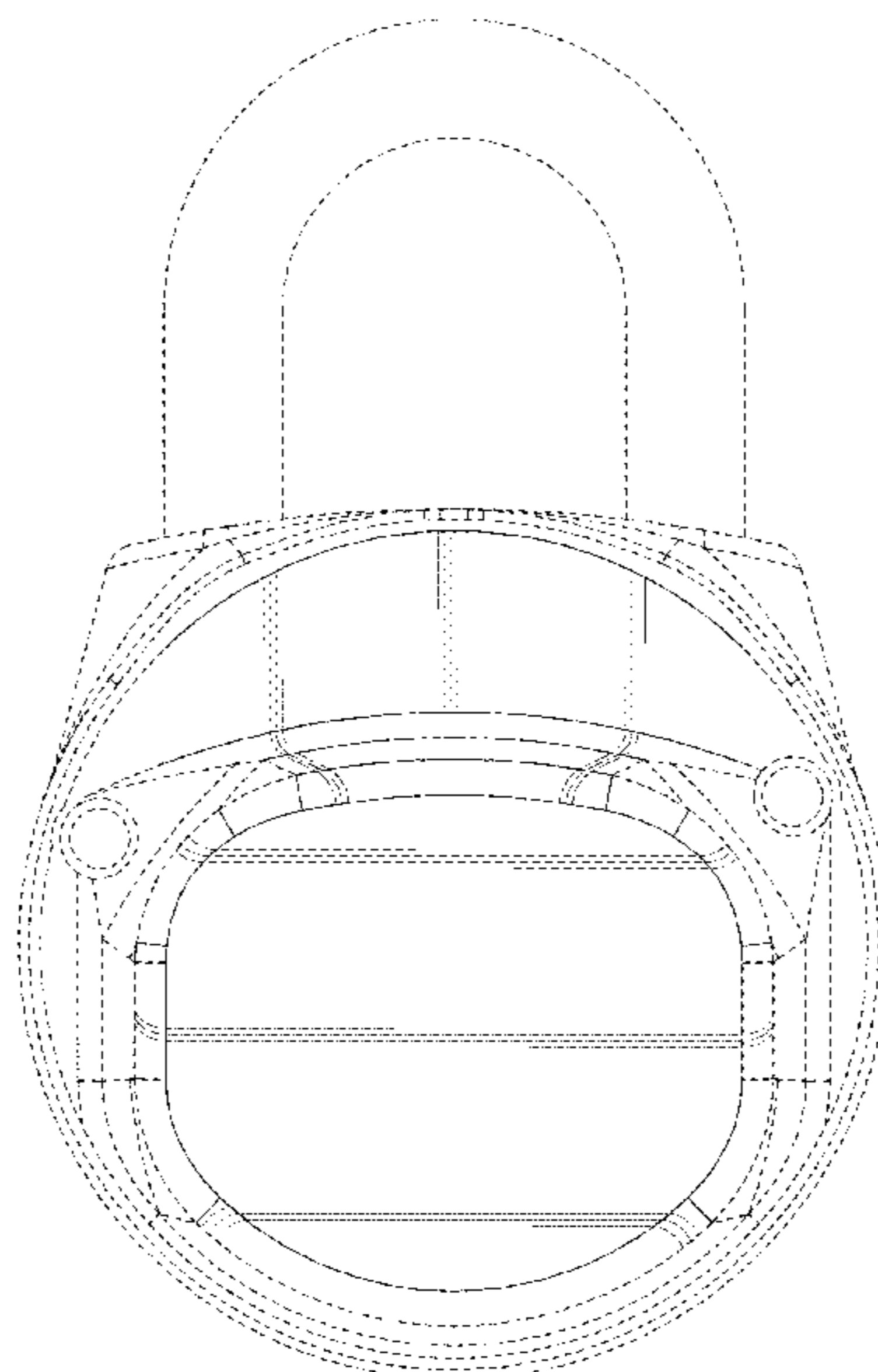
(57) **CLAIM**

We claim the ornamental design for a lock, as shown and
described.

DESCRIPTION

FIG. 1 is a front perspective view of a lock showing the new
design;
FIG. 2 is a top view of the lock of FIG. 1;
FIG. 3 is a front view of the lock of FIG. 1;
FIG. 4 is a rear view of the lock of FIG. 1;
FIG. 5 is a bottom view of the lock of FIG. 1;
FIG. 6 is a right side view of the lock of FIG. 1; and,
FIG. 7 is a left side view of the lock of FIG. 1.
The portions of the Figures shown in broken lines are for
illustrative purpose only and form no part of the claimed
design.

1 Claim, 4 Drawing Sheets



(56)

References Cited

U.S. PATENT DOCUMENTS

D426,763 S 6/2000 Adler et al.
 D427,884 S 7/2000 Castellanos et al.
 D433,314 S 11/2000 Mimlitch et al.
 D435,428 S 12/2000 Ling
 6,298,694 B1 10/2001 Knoll
 D455,639 S 4/2002 McDaid et al.
 6,401,501 B1 6/2002 Kajuch et al.
 D473,446 S * 4/2003 Quan et al. D8/343
 D476,216 S 6/2003 Vito
 D488,050 S 4/2004 Fonfeder
 6,718,803 B2 4/2004 Knoll
 D512,901 S 12/2005 Haber
 6,993,943 B1 2/2006 Chang
 7,047,772 B2 5/2006 Yu
 D524,632 S * 7/2006 Kearns et al. D8/334
 D528,401 S 9/2006 Ruan
 D533,764 S 12/2006 Heppner

D537,703 S 3/2007 Kearns et al.
 D541,228 S 4/2007 Thursfield
 D541,630 S 5/2007 Blomstrom et al.
 D545,177 S 6/2007 Vito
 D549,552 S 8/2007 Huang
 D557,107 S * 12/2007 Van Handel et al. D8/334
 D558,025 S * 12/2007 Rohde et al. D8/334
 D567,628 S 4/2008 Rohde et al.
 D569,226 S 5/2008 Brewster et al.
 D573,871 S 7/2008 Nave et al.
 D582,251 S 12/2008 Mackey et al.
 D594,731 S 6/2009 Plato
 D605,494 S 12/2009 Plato
 D629,280 S 12/2010 Plato
 D637,062 S 5/2011 Plato
 D638,279 S 5/2011 Plato
 D646,953 S 10/2011 Schmidt et al.
 D662,394 S 6/2012 Schmidt et al.

* cited by examiner

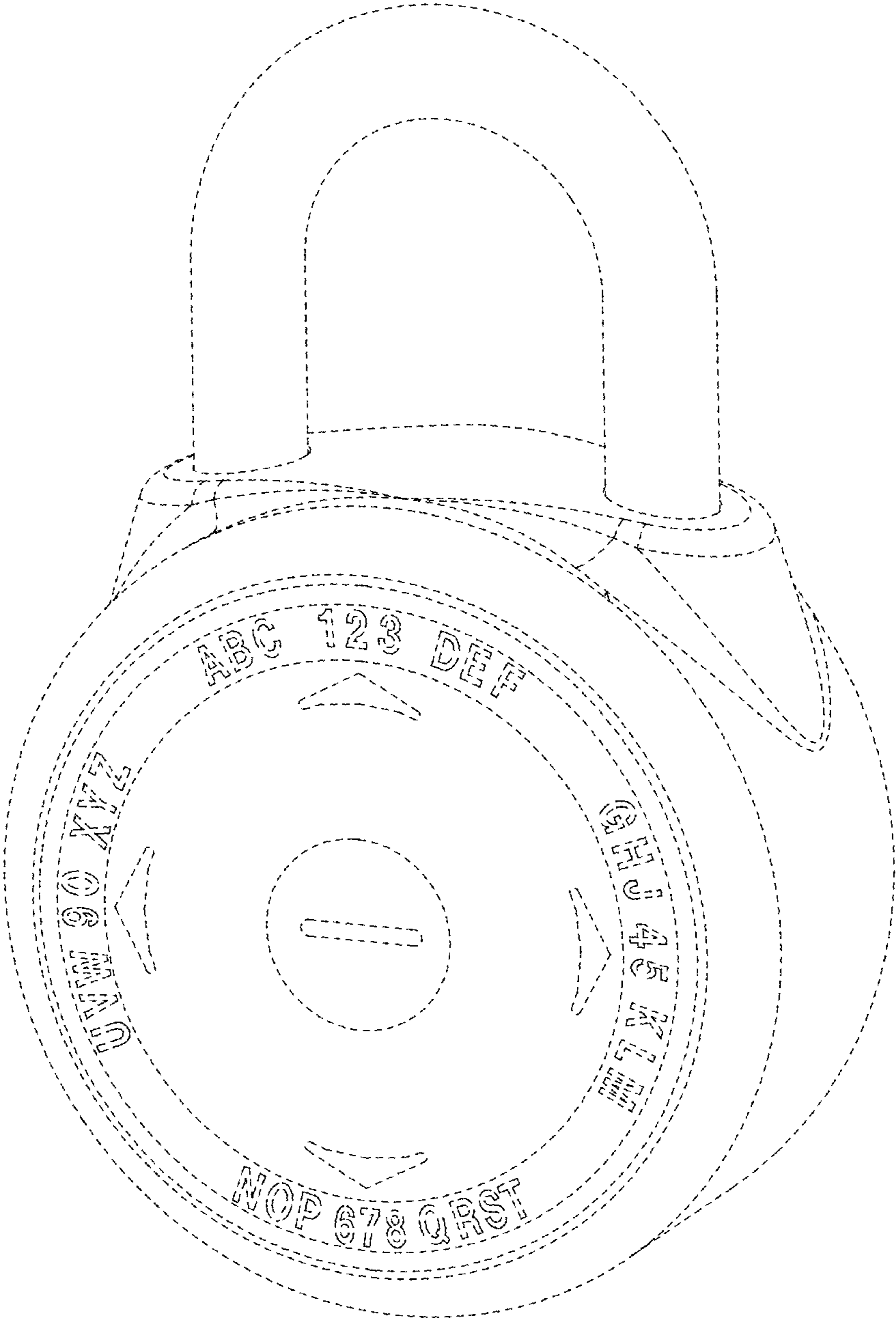


FIG. 1

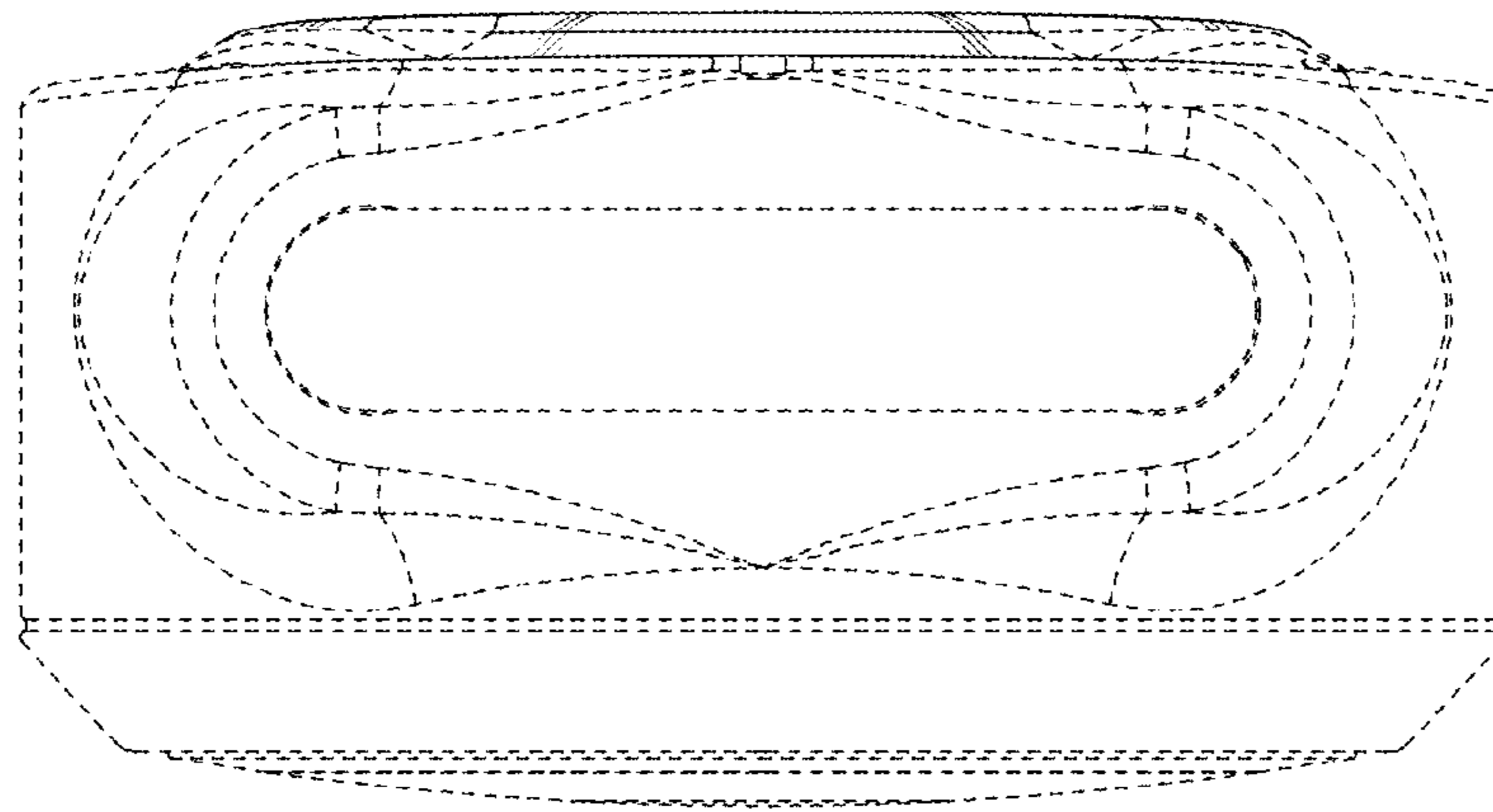


FIG. 2

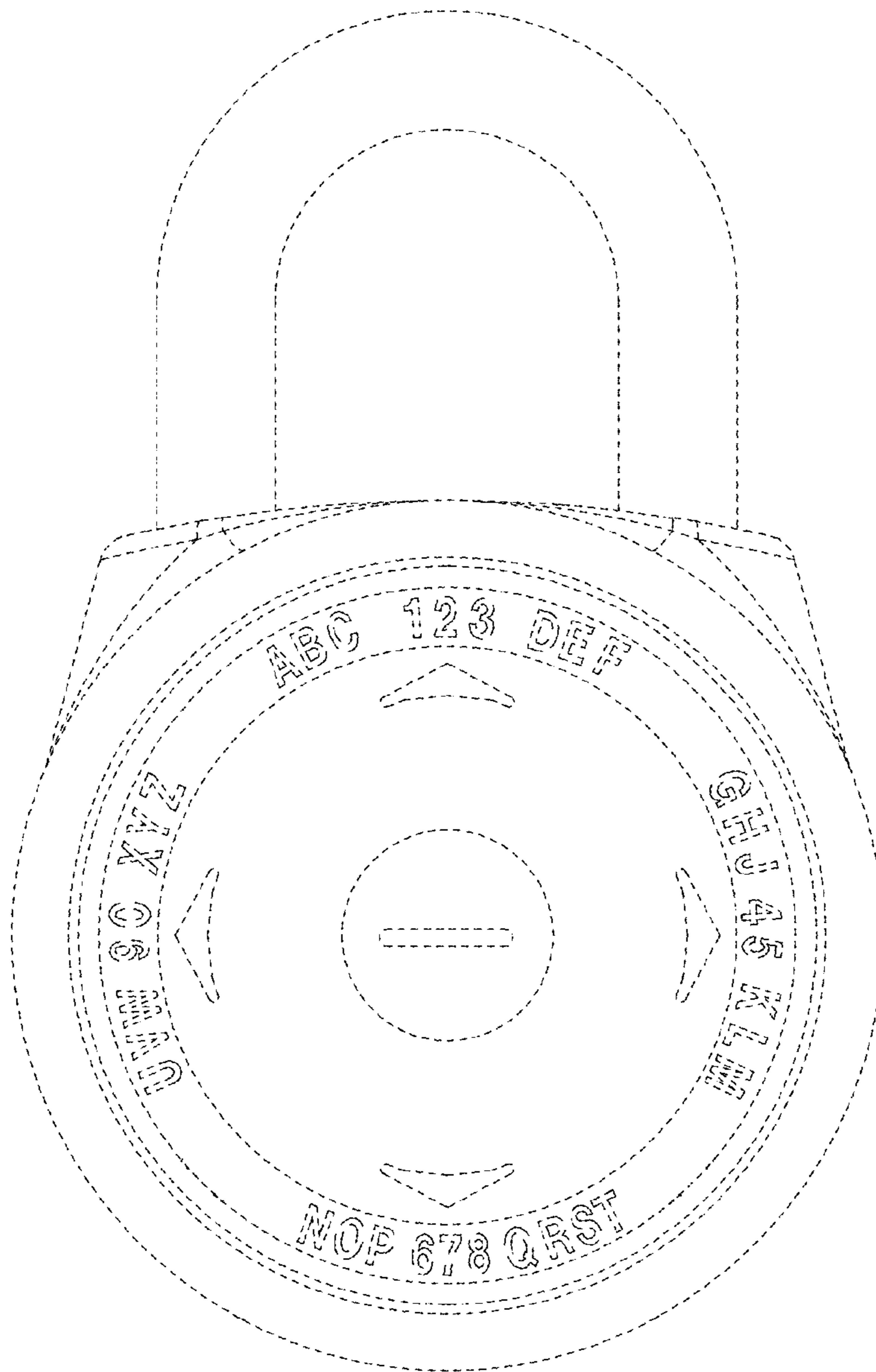


FIG. 3

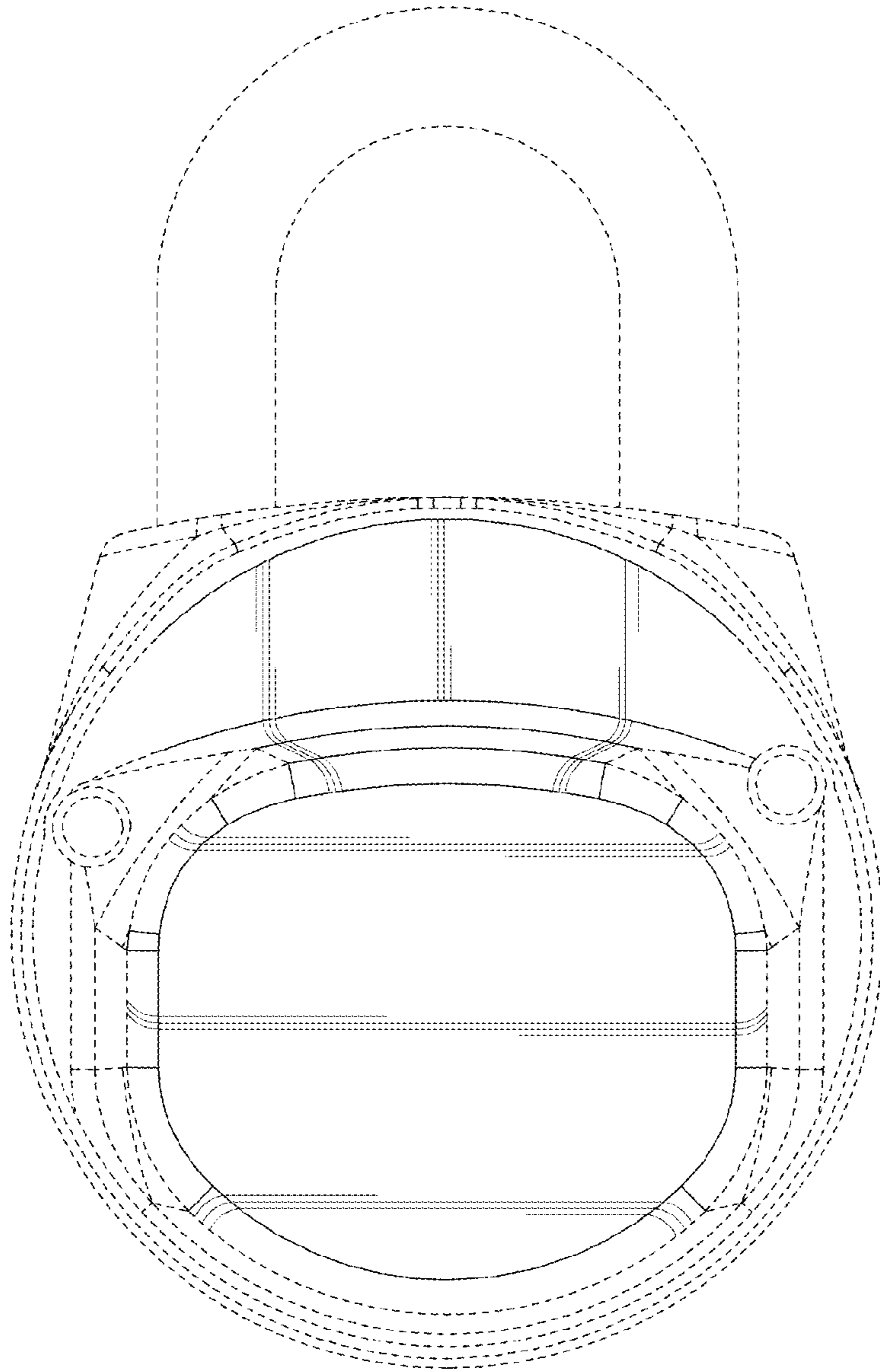


FIG. 4

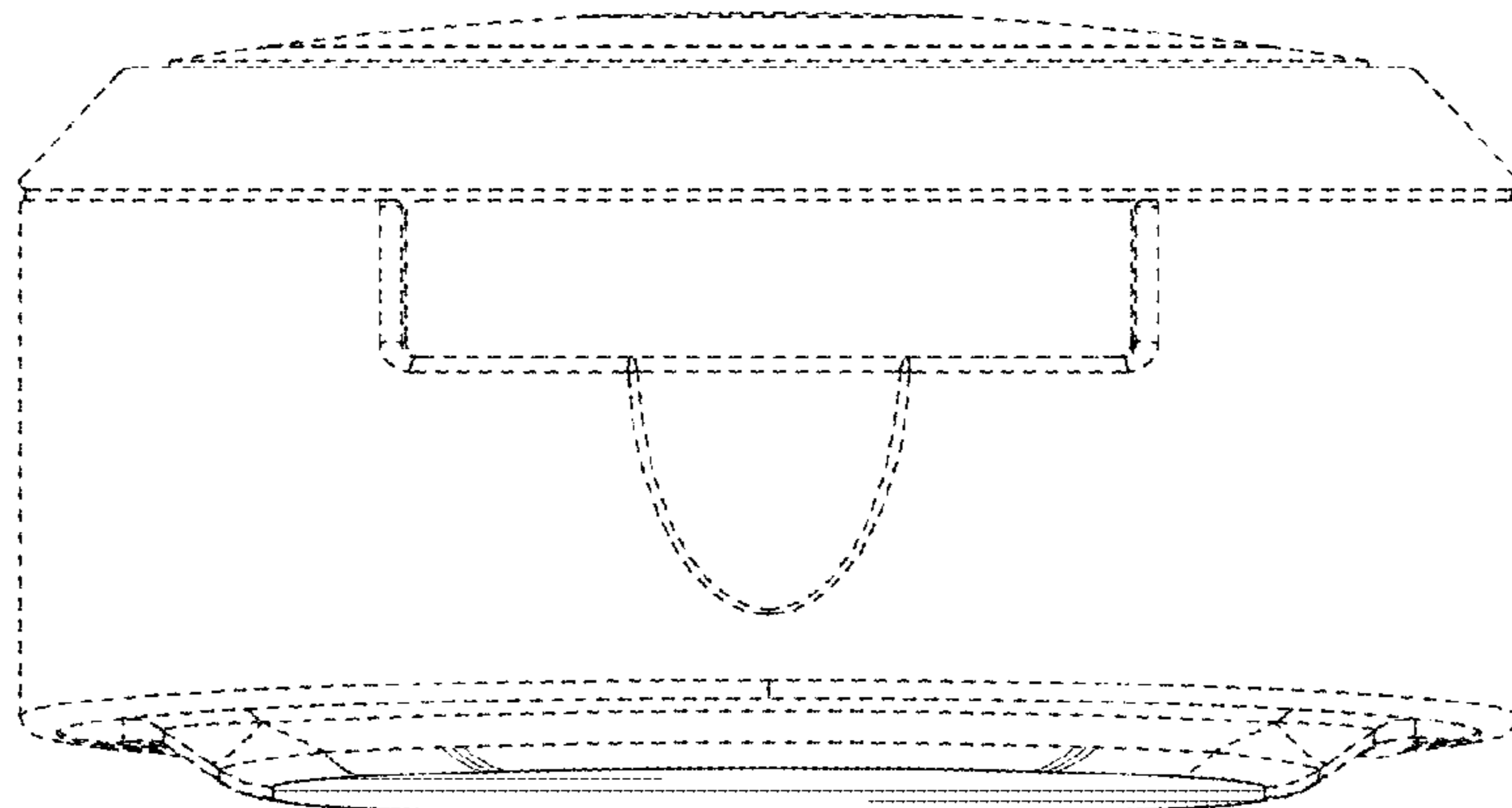


FIG. 5

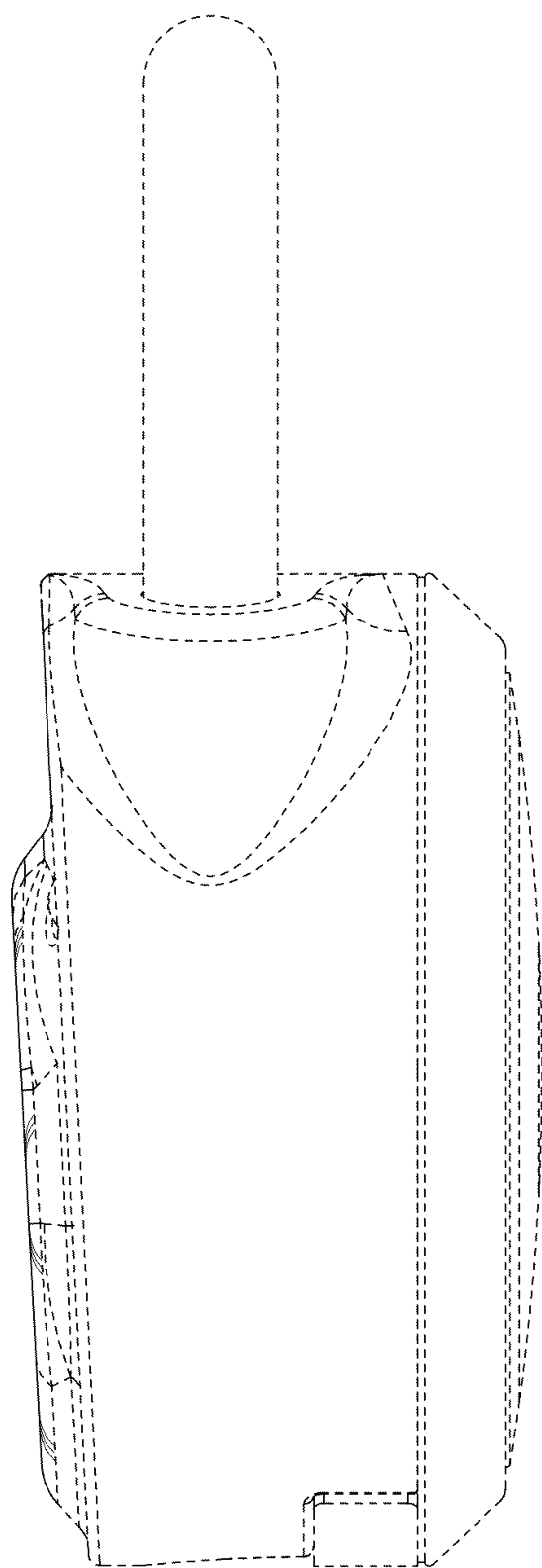


FIG. 6

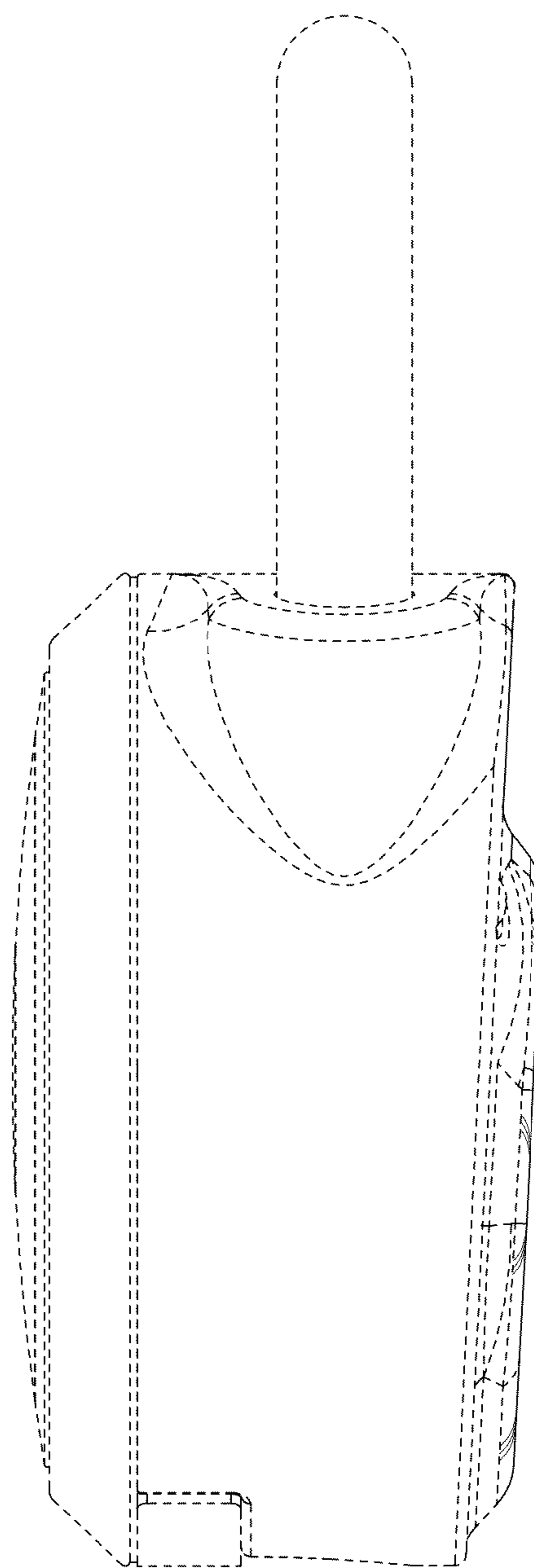


FIG. 7