



US00D688545S

(12) **United States Design Patent**
Jensen et al.

(10) **Patent No.:** **US D688,545 S**

(45) **Date of Patent:** **** Aug. 27, 2013**

(54) **KNIFE SHARPENER**

(75) Inventors: **George C. Jensen**, Bear, DE (US);
Abraham Leibson, Lambertville, NJ
(US); **Daniel D. Friel, Sr.**, Greenville,
DE (US); **Daniel D. Friel, Jr.**, Kennett
Square, PA (US)

(73) Assignee: **Edgecraft Corporation**, Avondale, PA
(US)

(**) Term: **14 Years**

(21) Appl. No.: **29/415,055**

(22) Filed: **Mar. 7, 2012**

(51) **LOC (9) Cl.** **08-05**

(52) **U.S. Cl.**
USPC **D8/63**

(58) **Field of Classification Search**
USPC D8/34, 35, 63, 91, 93; 451/45, 267,
451/552, 555-558; 76/82, 84, 86-89.2; 30/138
See application file for complete search history.

(56) **References Cited**

U.S. PATENT DOCUMENTS

D111,174 S	9/1938	Carpentar	
D116,704 S	9/1939	Conway	
D151,324 S	10/1948	Chapin	
D153,168 S *	3/1949	Palma, Jr.	D8/63
D162,121 S *	2/1951	Branick	D8/63
D163,044 S *	4/1951	Hoek	D8/63
D165,523 S *	12/1951	Iannelli	D8/63
D170,935 S *	11/1953	Palma, Jr. et al.	D8/63
D174,343 S *	3/1955	Nelson	D8/63
D176,887 S *	2/1956	Schwaneke et al.	D8/63
D177,943 S	6/1956	Rutter	
D179,610 S *	1/1957	Palma, Jr.	D8/63
D182,241 S *	3/1958	Madl	D8/63
D185,556 S *	6/1959	Madl	D8/63
D192,434 S *	3/1962	Rawson et al.	D8/63
D198,859 S *	8/1964	Madl	D8/63

D202,799 S	11/1965	Fano	
D269,940 S *	8/1983	Hirosawa	D8/93
4,627,194 A	12/1986	Friel	
4,716,689 A	1/1988	Friel	
4,807,399 A	2/1989	Friel	
D303,209 S	9/1989	Friel	
D309,414 S	7/1990	Shimizu	
D309,415 S	7/1990	Shimizu	
D310,620 S	9/1990	Friel	
5,005,319 A	4/1991	Friel	
D318,603 S *	7/1991	Hattle et al.	D8/35
D324,985 S *	3/1992	Hattle et al.	D8/93
D328,410 S	8/1992	Friel	
5,148,634 A	9/1992	Bigliano	
5,245,791 A	9/1993	Bigliano	
D362,794 S *	10/1995	Carbone et al.	D8/35
5,611,726 A	3/1997	Friel	
D409,891 S	5/1999	Friel	

(Continued)

Primary Examiner — Philip S Hyder

Assistant Examiner — Roselynn Cody

(74) *Attorney, Agent, or Firm* — Novak Druce Connolly
Bove + Quigg LLP

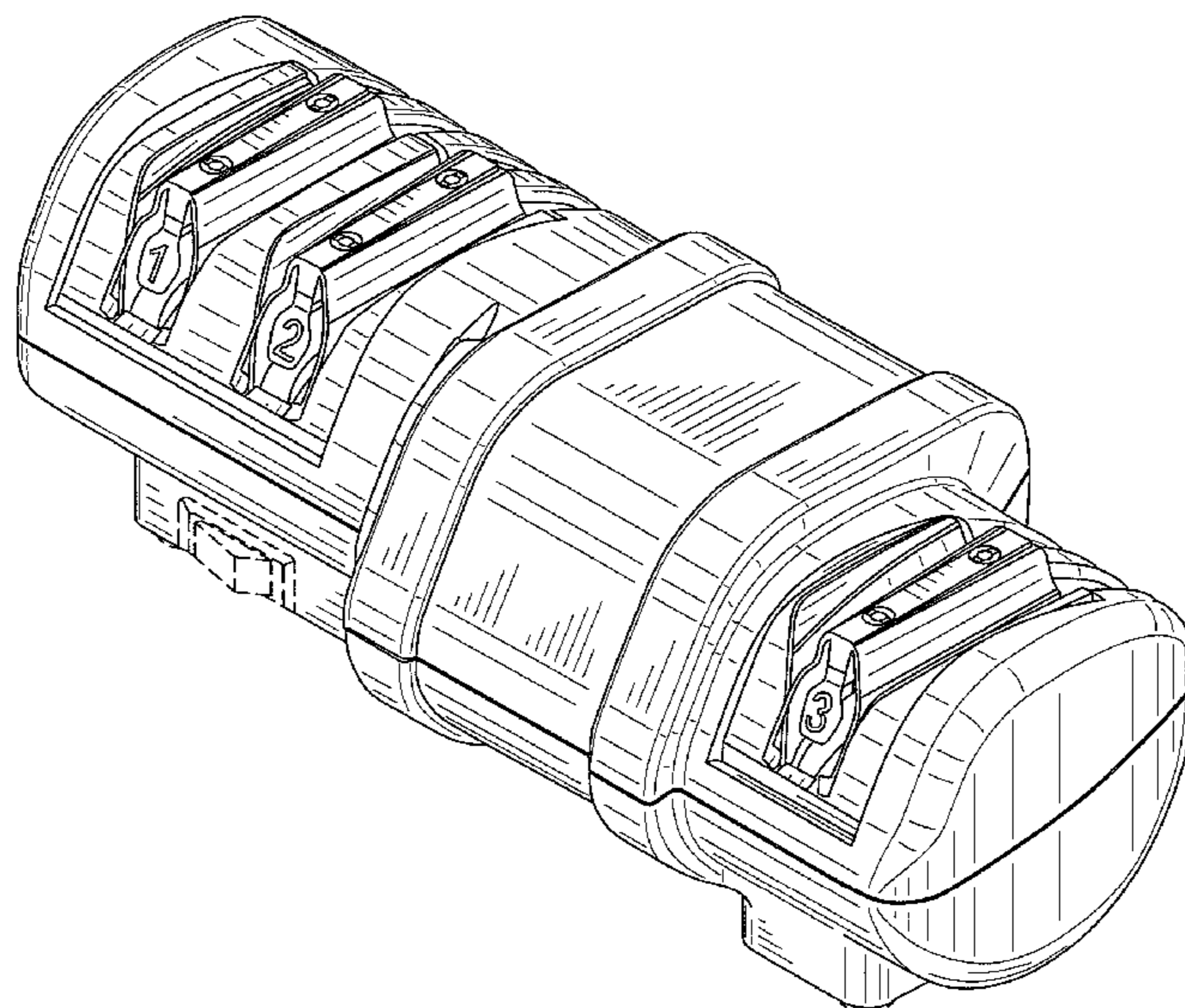
(57) **CLAIM**

The ornamental design for a knife sharpener, as shown and described.

DESCRIPTION

FIG. 1 is a perspective view of a knife sharpener showing our new design;
FIG. 2 is a front elevational view thereof;
FIG. 3 is a rear elevational view thereof;
FIG. 4 is a left side elevational view thereof;
FIG. 5 is a right side elevational view thereof;
FIG. 6 is a top plan view thereof; and,
FIG. 7 is a bottom plan view thereof.
The broken lines in the various figures illustrate portions of the knife sharpener that form no part of the claim.

1 Claim, 7 Drawing Sheets



(56)

References Cited

U.S. PATENT DOCUMENTS

6,012,971 A 1/2000 Friel
D427,500 S 7/2000 Glesser
6,113,476 A 9/2000 Friel
6,267,652 B1 7/2001 Friel
6,802,763 B1 10/2004 Leung
6,863,600 B2 3/2005 Friel
6,875,093 B2 4/2005 Friel
D517,891 S 3/2006 Tsuchida
D542,616 S 5/2007 Elek
D543,430 S 5/2007 Barr
7,235,004 B2 6/2007 Friel
D567,611 S 4/2008 Elek

D575,124 S 8/2008 Smith
D587,551 S 3/2009 Friel
7,517,275 B2 4/2009 Friel
7,740,522 B2 6/2010 Walker
D620,332 S 7/2010 Elek
D624,799 S 10/2010 De Bretton
D632,153 S 2/2011 Walker
D641,225 S 7/2011 Friel
D641,226 S 7/2011 Friel
D651,887 S 1/2012 Elek
D652,284 S 1/2012 Elek
2003/0236061 A1 12/2003 Li
2004/0077296 A1 4/2004 Friel

* cited by examiner

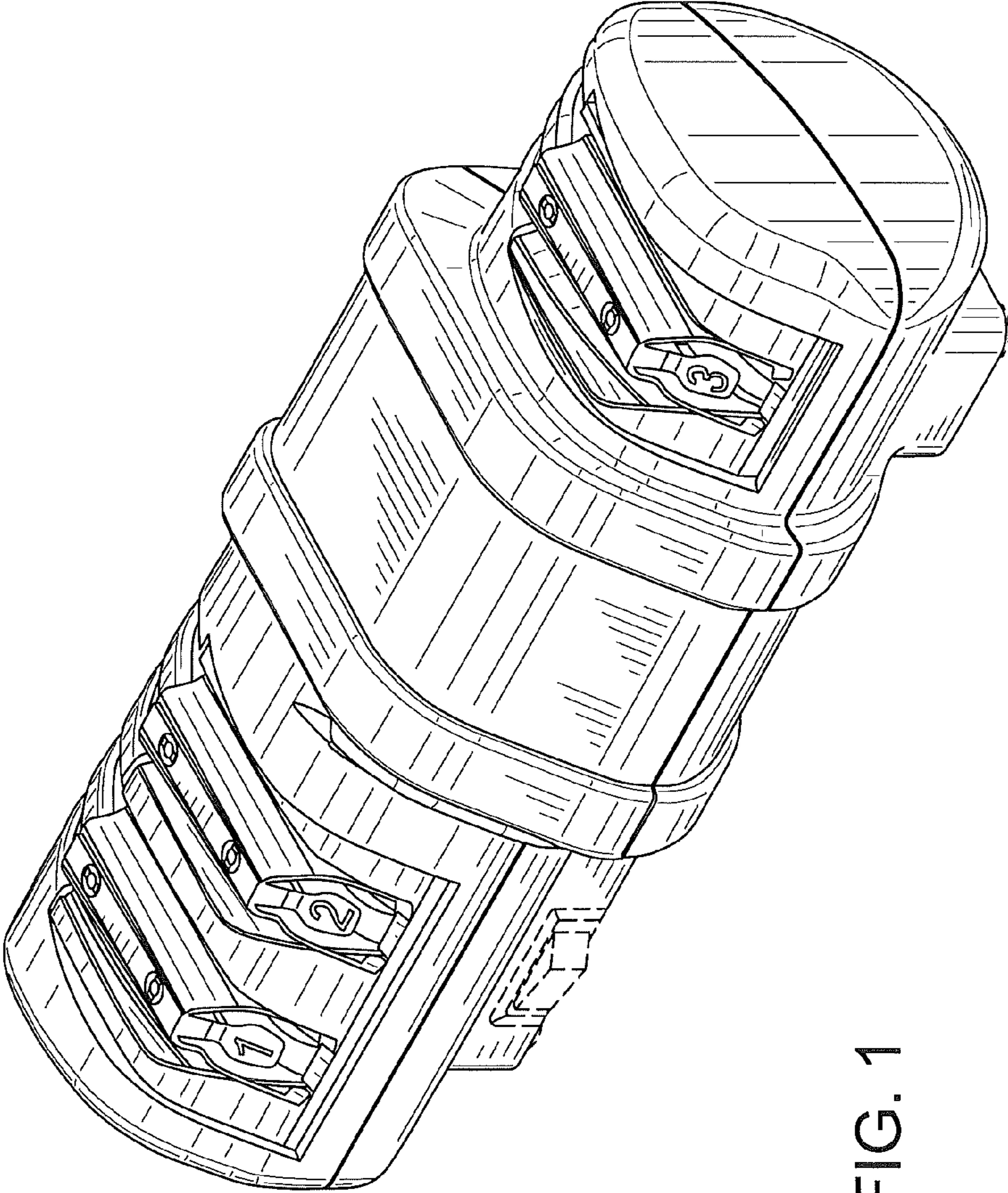


FIG. 1

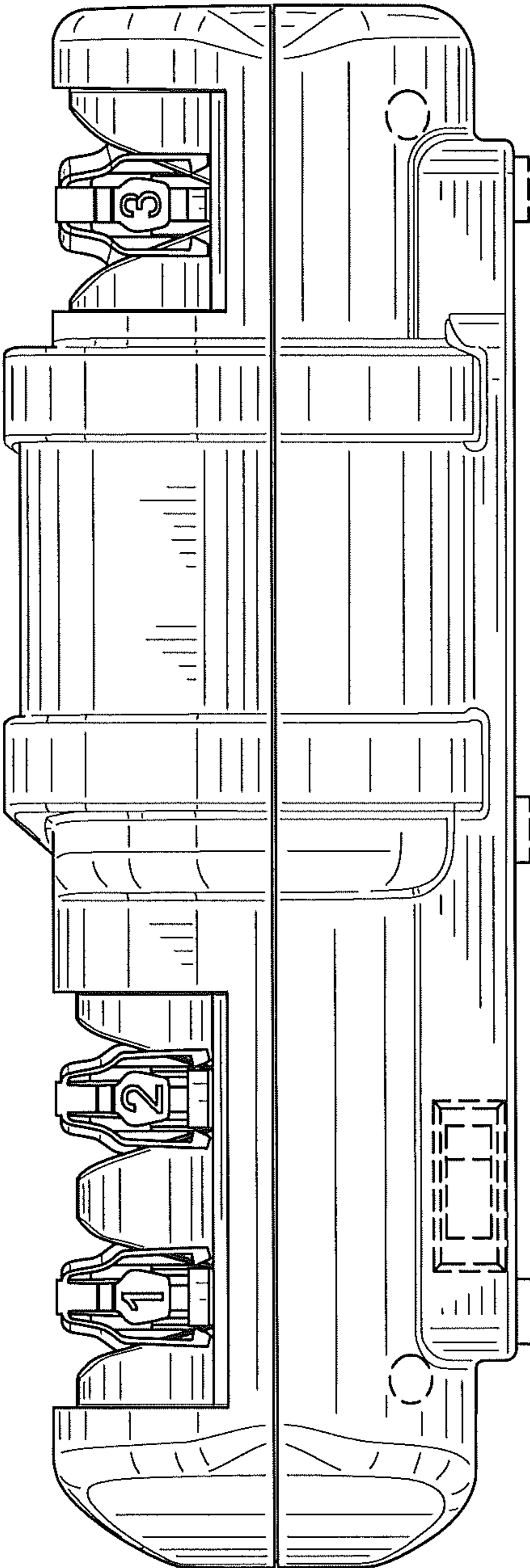


FIG. 2

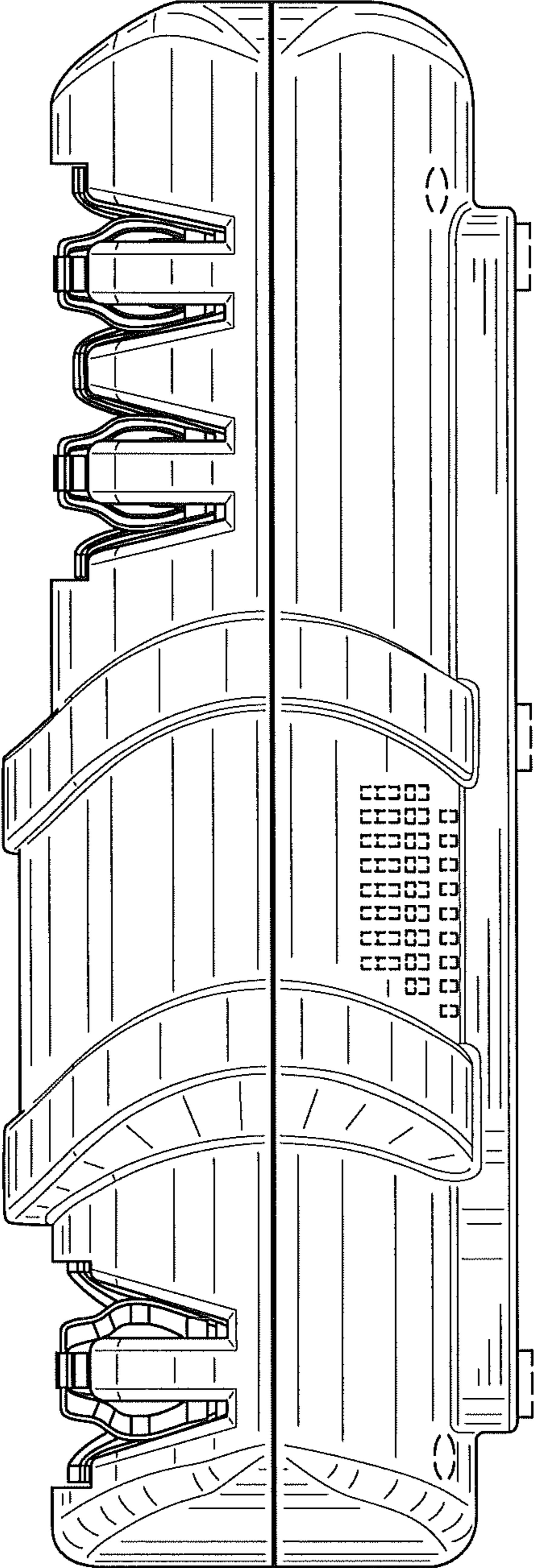


FIG. 3

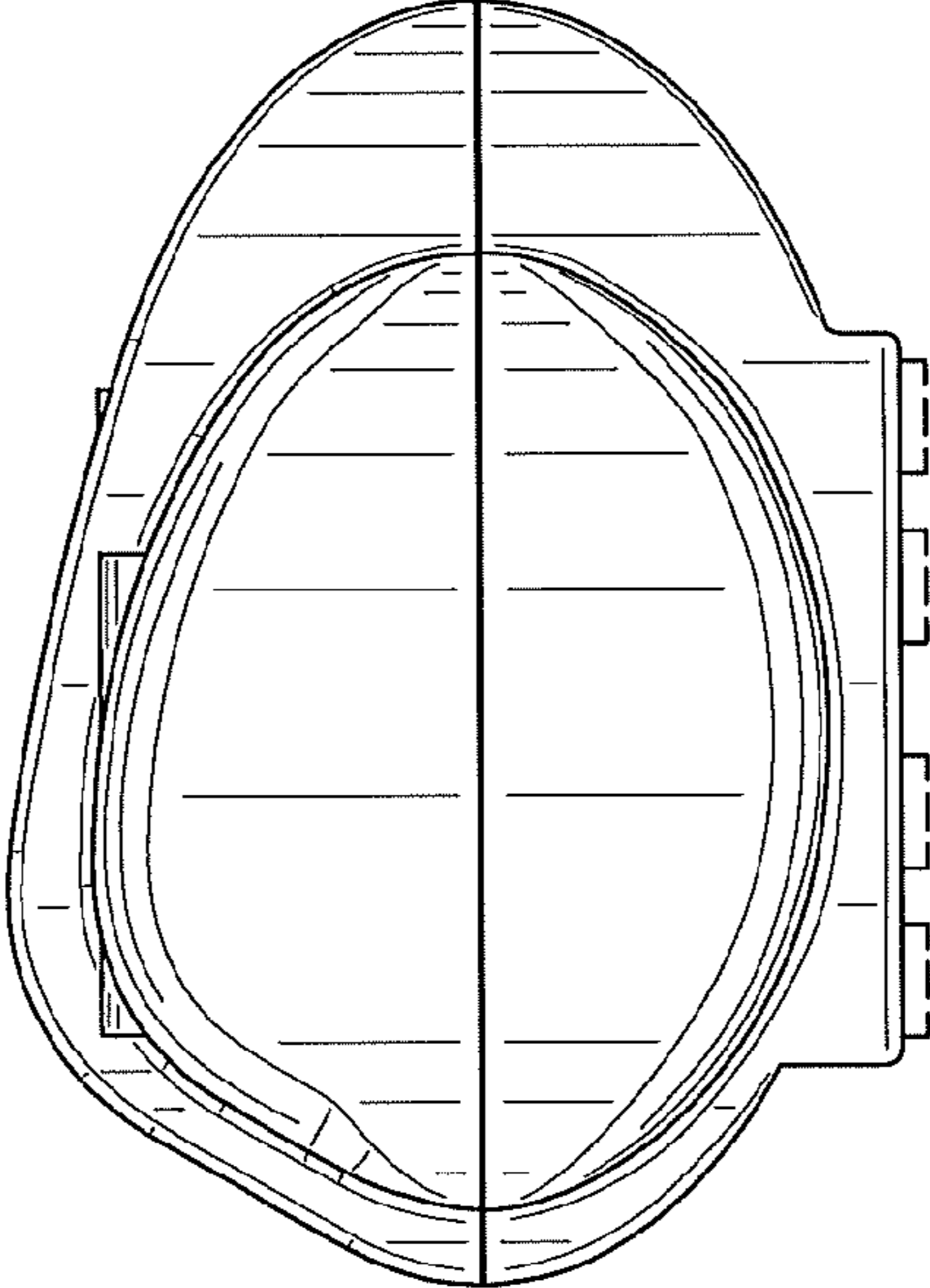


FIG. 4

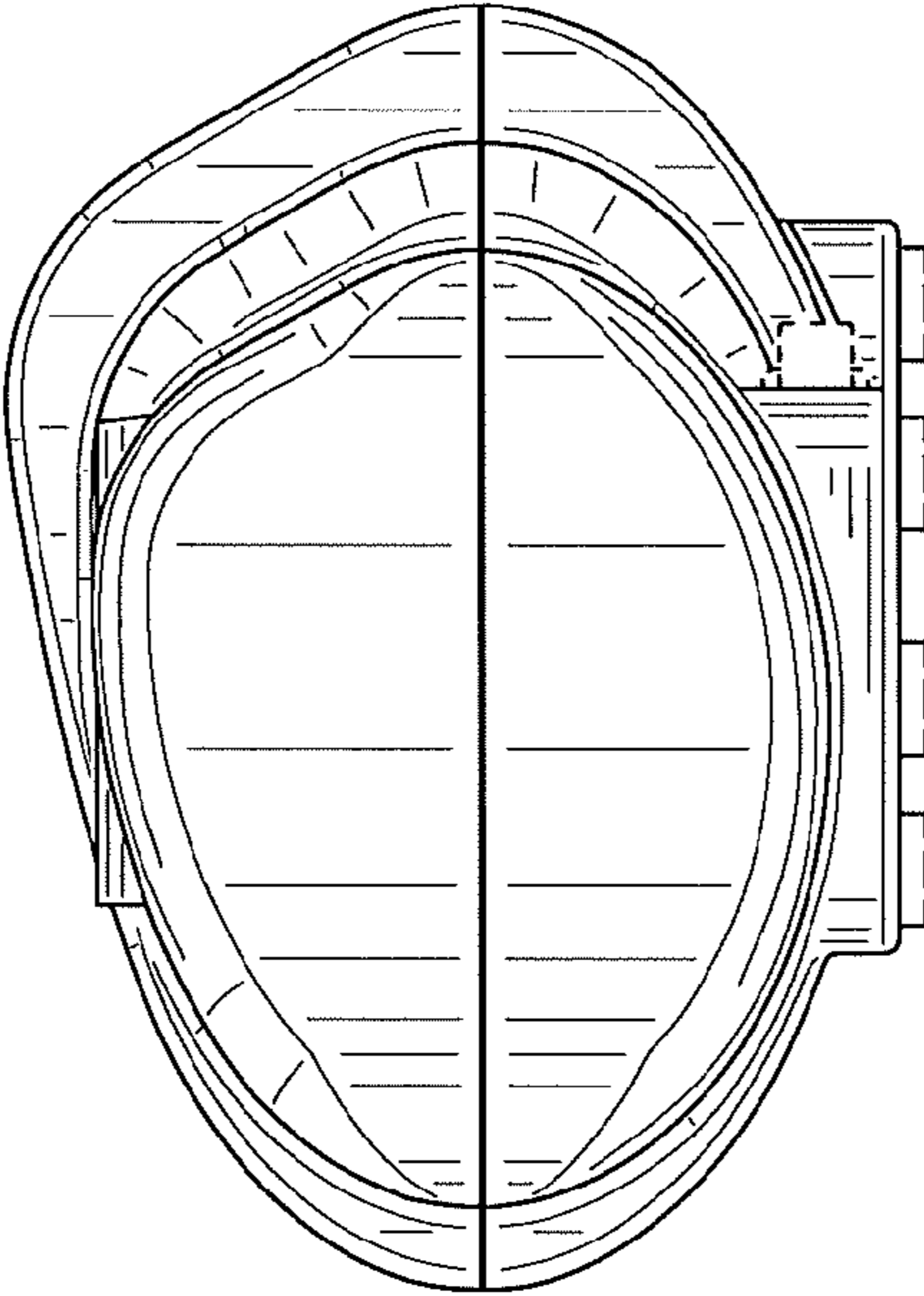


FIG. 5

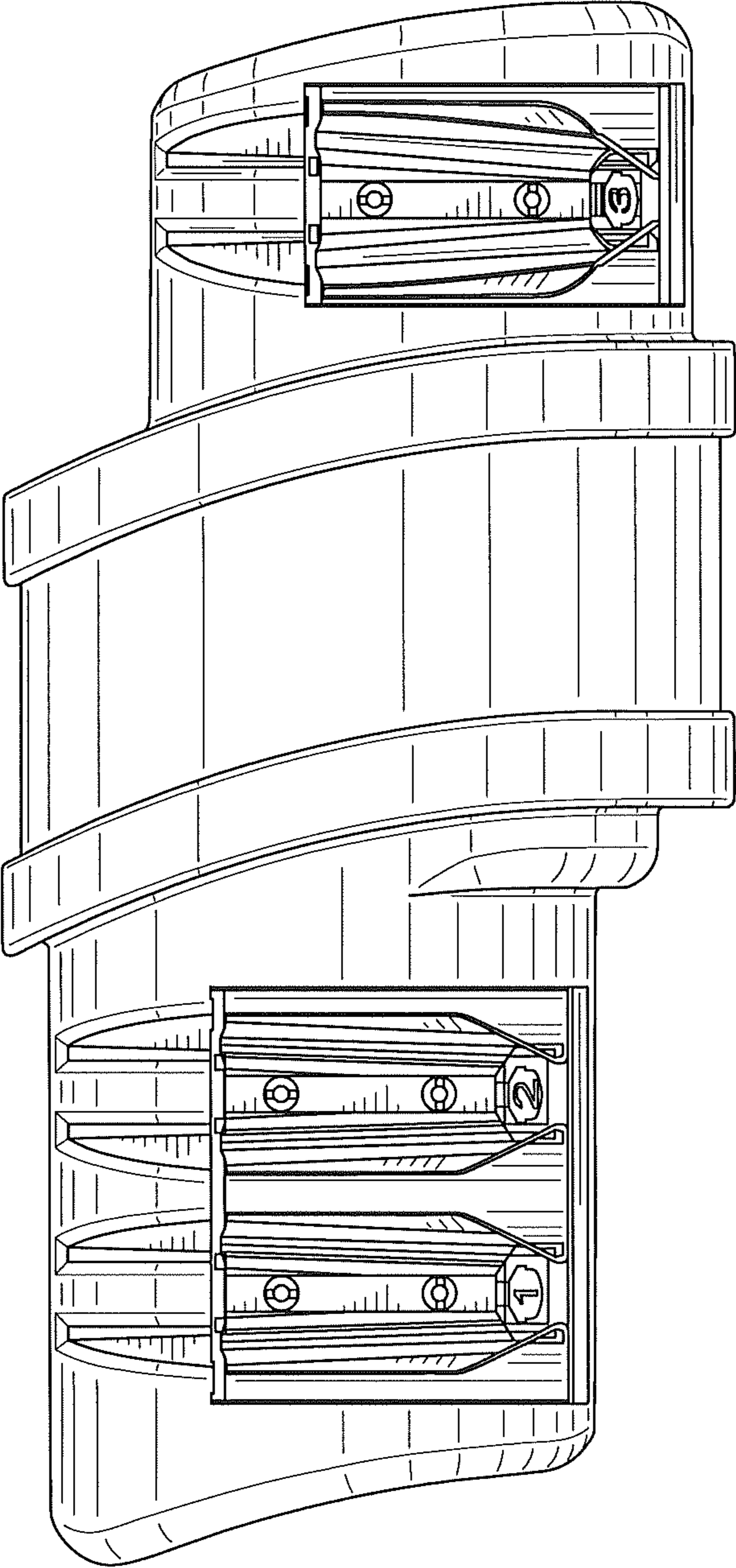


FIG. 6

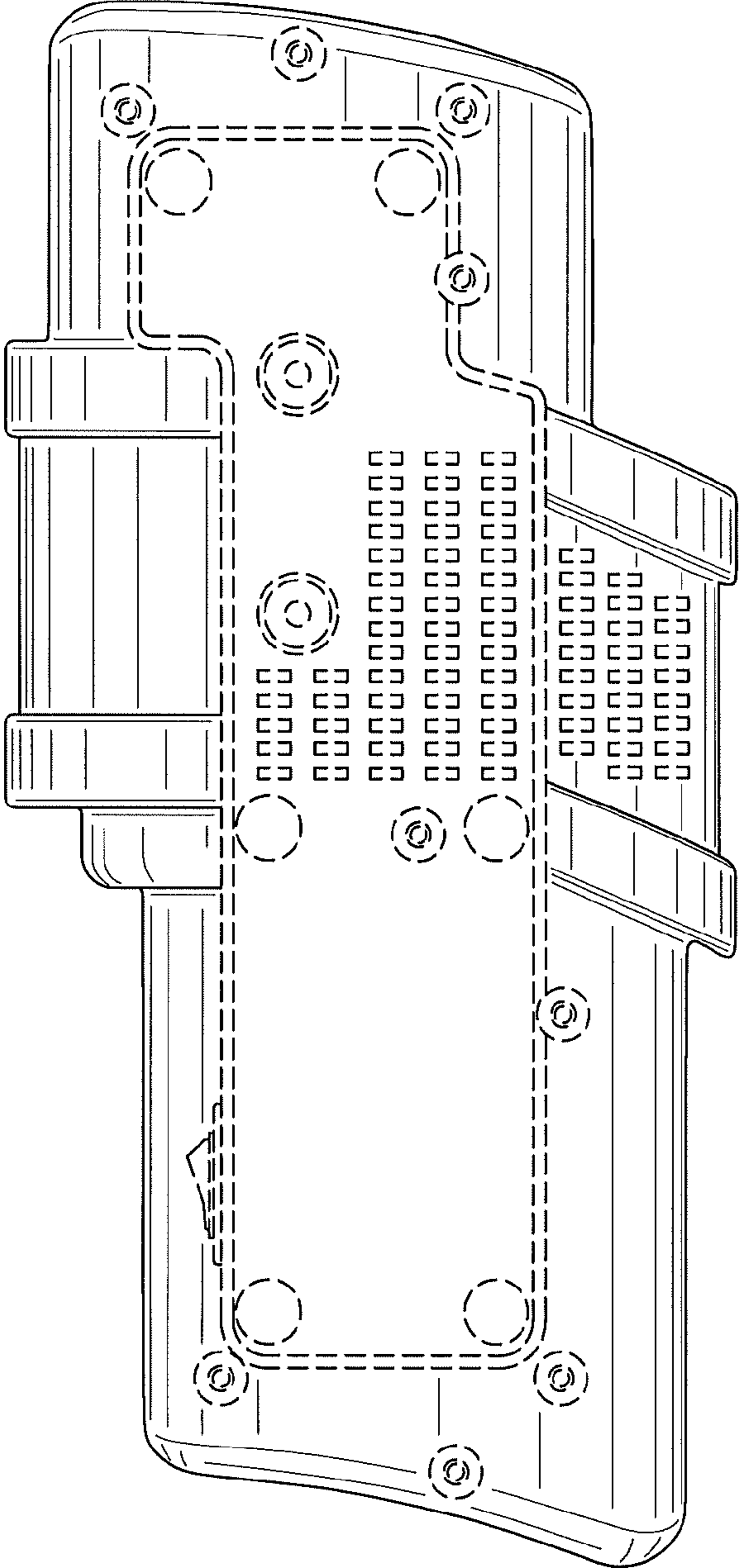


FIG. 7

UNITED STATES PATENT AND TRADEMARK OFFICE
CERTIFICATE OF CORRECTION

PATENT NO. : D688,545 S
APPLICATION NO. : 29/415055
DATED : August 27, 2013
INVENTOR(S) : George C. Jensen et al.

Page 1 of 1

It is certified that error appears in the above-identified patent and that said Letters Patent is hereby corrected as shown below:

On the Title page the figure description reads:

“FIG. 4 is a left side elevational view thereof;

FIG. 5 is a right side elevational view thereof;”

Should read ---

FIG. 4 is a right side elevational view there;

FIG. 5 is a left side elevational view thereof;---

Signed and Sealed this
First Day of July, 2014



Michelle K. Lee
Deputy Director of the United States Patent and Trademark Office