



US00D688544S

(12) **United States Design Patent**  
**Evans**

(10) **Patent No.:** **US D688,544 S**

(45) **Date of Patent:** **\*\* Aug. 27, 2013**

(54) **SOCKET EXTENSION**

(76) Inventor: **Eliot Evans**, Joice, IA (US)

(\*\*) Term: **14 Years**

(21) Appl. No.: **29/392,814**

(22) Filed: **May 26, 2011**

(51) **LOC (9) Cl.** ..... **08-05**

(52) **U.S. Cl.**  
USPC ..... **D8/29**

(58) **Field of Classification Search**

USPC ..... D8/17, 21-29, 354, 47, 82; 81/60,  
81/177.1, 177.85, 121.1, 124.3, 165-170,  
81/110.1, 176.2, 124.6, 176.1, 176.15, 177.2,  
81/186; 16/110.1; D15/144.1, 143; 219/75,  
219/227, 229, 121.16, 121.18; 403/322,  
403/328, 108, 109, 361, 365, 368; 279/82  
See application file for complete search history.

(56) **References Cited**

**U.S. PATENT DOCUMENTS**

4,344,340	A *	8/1982	Erickson	81/177.2
4,960,015	A	10/1990	Mathews	
5,272,943	A *	12/1993	Edwards	81/461
5,568,757	A *	10/1996	Lewis	81/177.2
5,680,800	A *	10/1997	Sharpe	81/177.2
5,927,161	A *	7/1999	Clifford et al.	81/177.2
6,260,452	B1 *	7/2001	Yu	81/177.2
7,089,831	B2 *	8/2006	Chen	81/124.4
7,114,418	B1 *	10/2006	Allen	81/439
7,185,568	B1	3/2007	Vance	

(Continued)

**OTHER PUBLICATIONS**

5/32"x2" Hex Drive Bit Ball Detent web printout, <http://www.mcfeelys.com/product/HRA-1020/x-2-Hex-Drive-Bit-Ball-Detent>, printed May 26, 2011, 1 page.

*Primary Examiner* — Randall Gholson

(74) *Attorney, Agent, or Firm* — Patterson Thunte Pedersen, P.A.

(57) **CLAIM**

I claim the ornamental design for socket extension, as shown and described.

**DESCRIPTION**

FIG. 1 is a front view of a socket extension according to an embodiment of the invention.

FIG. 2 is a bottom view of the socket extension of FIG. 1.

FIG. 3 is a rear view of the socket extension of FIG. 1.

FIG. 4 is a top view of the socket extension of FIG. 1.

FIG. 5 is a left end view of the socket extension of FIG. 1.

FIG. 6 is a right end view of the socket extension of FIG. 1.

FIG. 7 is a left end perspective view of the socket extension of FIG. 1.

FIG. 8 is a right end perspective view of the socket extension of FIG. 1.

FIG. 9 is a front view of a socket extension according to an embodiment of the invention.

FIG. 10 is a bottom view of the socket extension of FIG. 9.

FIG. 11 is a rear view of the socket extension of FIG. 9.

FIG. 12 is a top view of the socket extension of FIG. 9.

FIG. 13 is a left end view of the socket extension of FIG. 9.

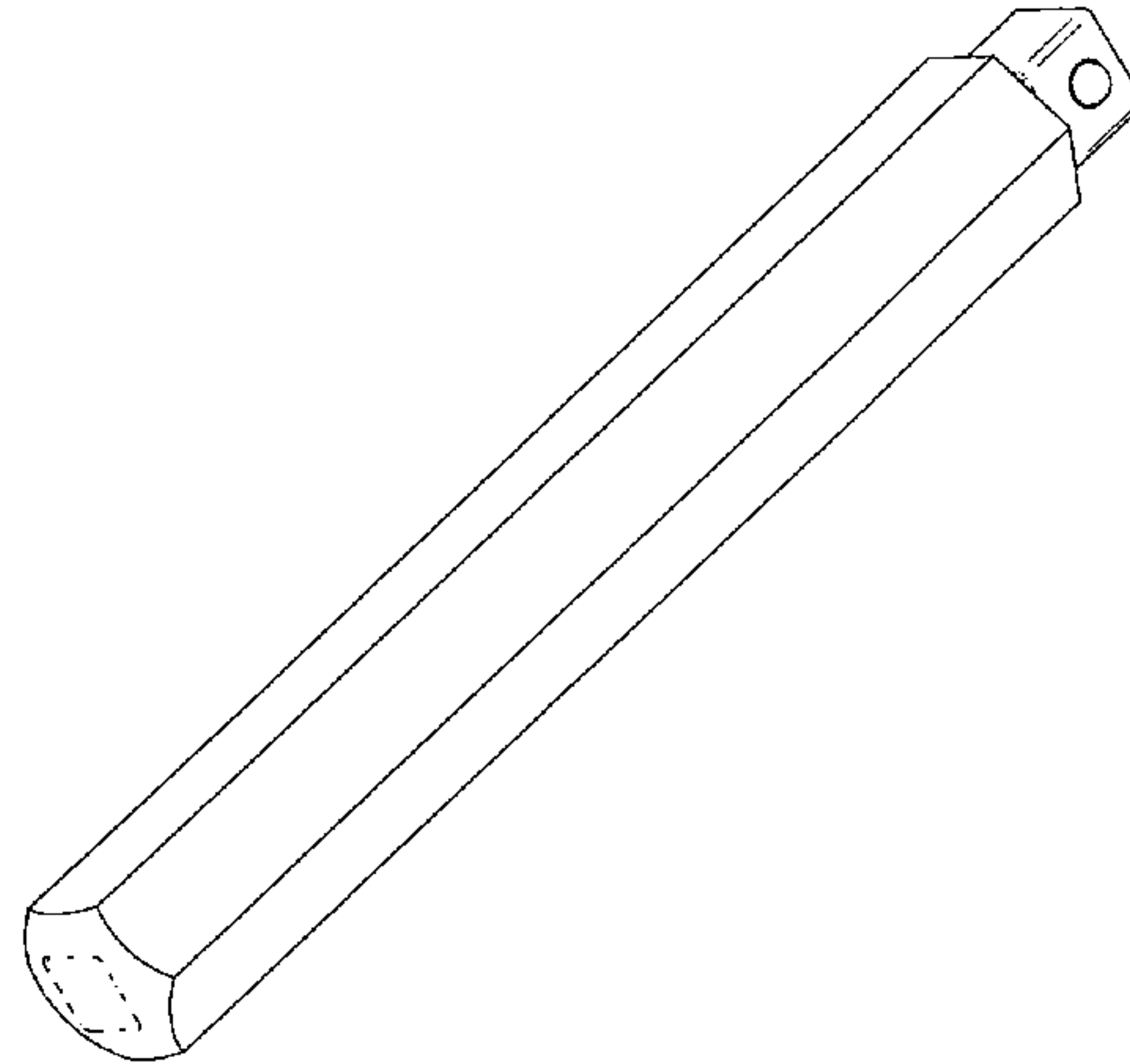
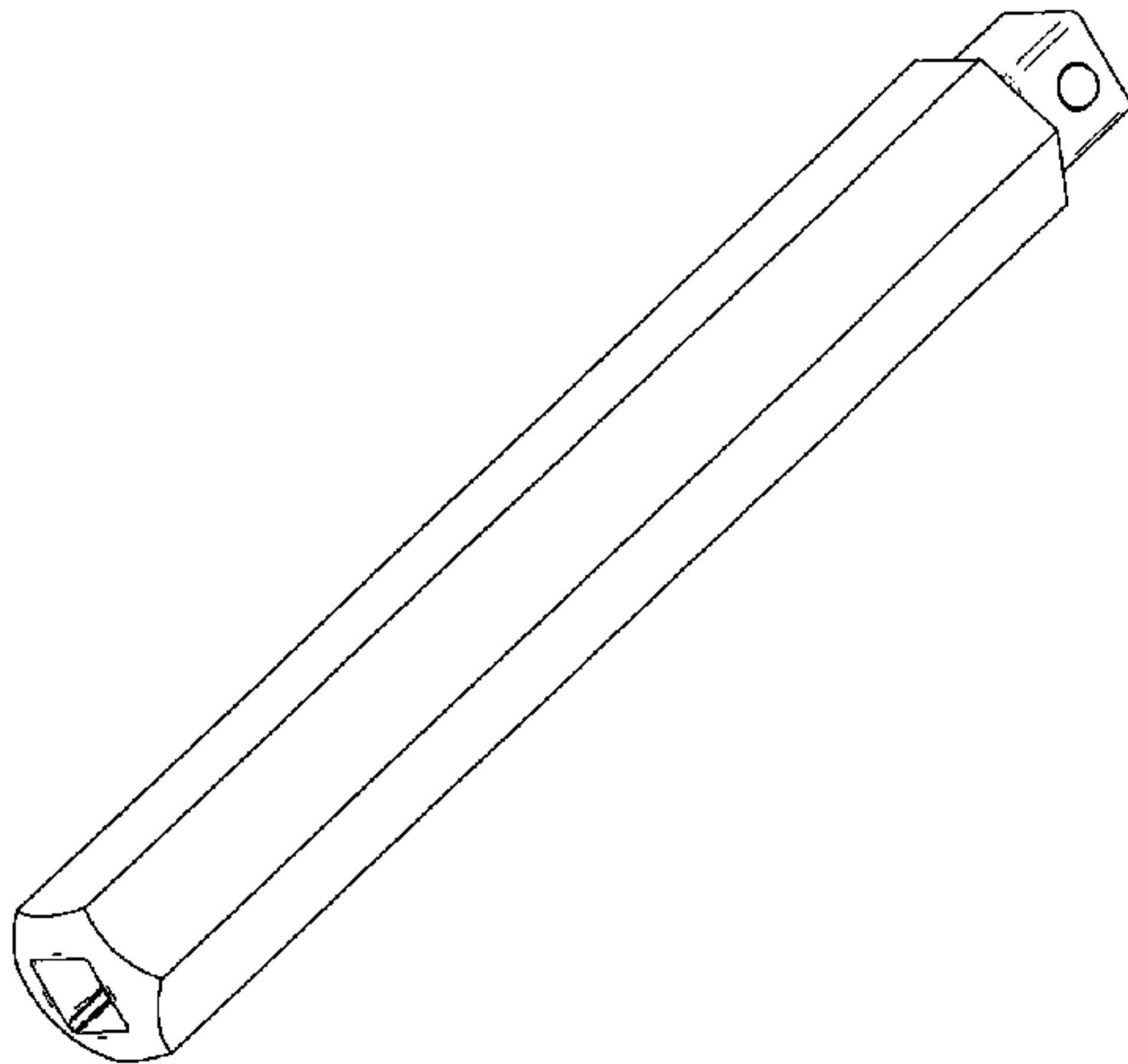
FIG. 14 is a right end view of the socket extension of FIG. 9.

FIG. 15 is a left end perspective view of the socket extension of FIG. 9; and,

FIG. 16 is a right end perspective view of the socket extension of FIG. 9.

Items shown in broken lines are for illustrative purposes only and form no part of the claimed design.

**1 Claim, 4 Drawing Sheets**



# US D688,544 S

Page 2

---

(56)

## References Cited

				8,146,461 B1 *	4/2012	Su	81/177.85	
				8,302,513 B2 *	11/2012	Evatt	81/451	
				8,307,743 B2 *	11/2012	Hsu	81/438	
	U.S. PATENT DOCUMENTS							
	7,331,261 B2 *	2/2008	Blizniuk et al.	81/124.4				
	7,340,984 B2 *	3/2008	Hsieh	81/177.85				
							* cited by examiner	

Fig. 1

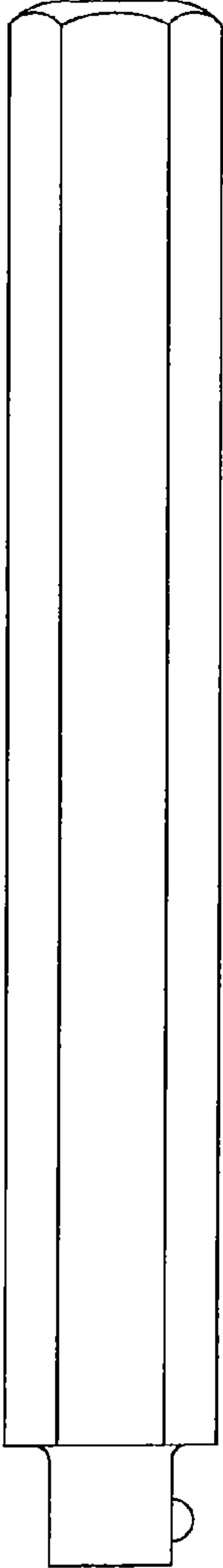


Fig. 2

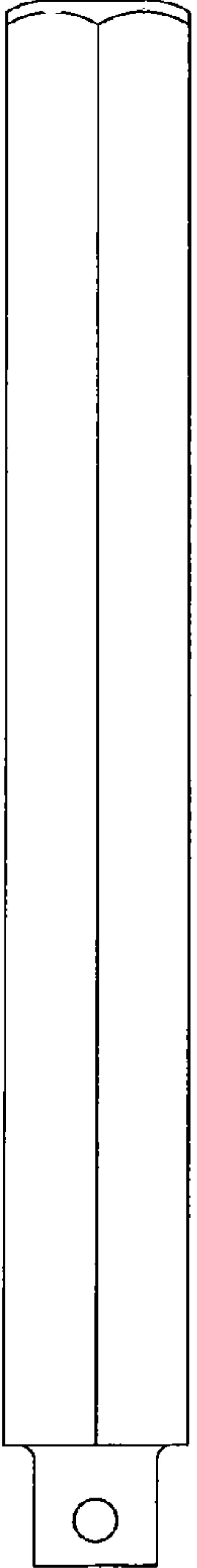


Fig. 3

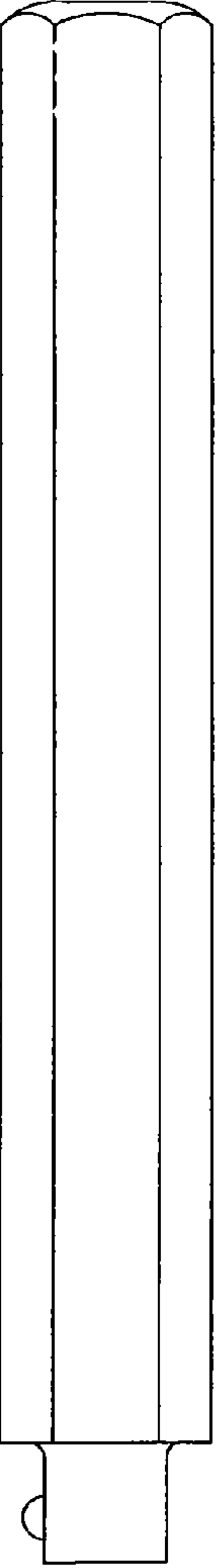


Fig. 4

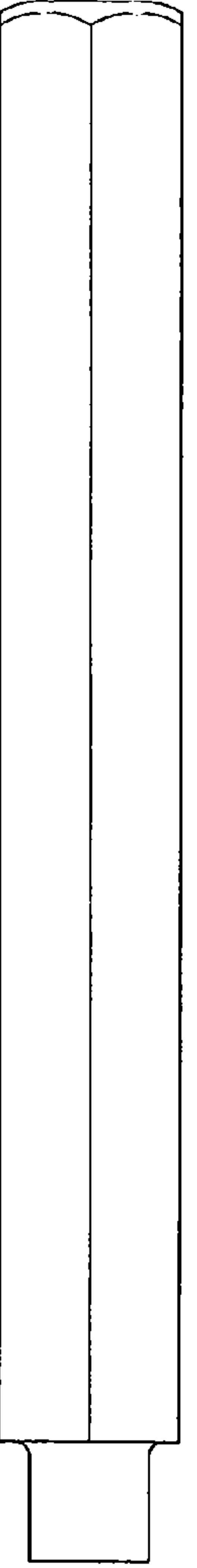


Fig. 5

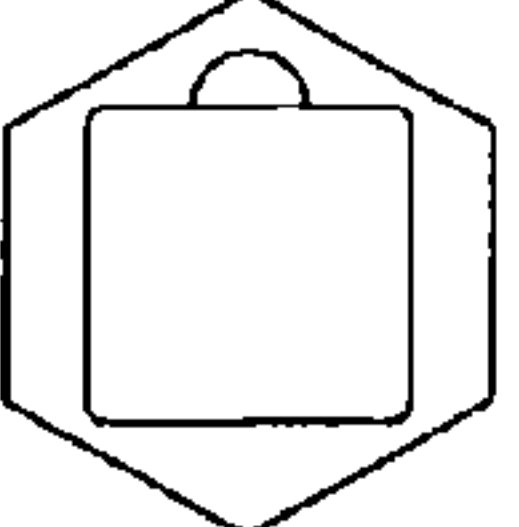
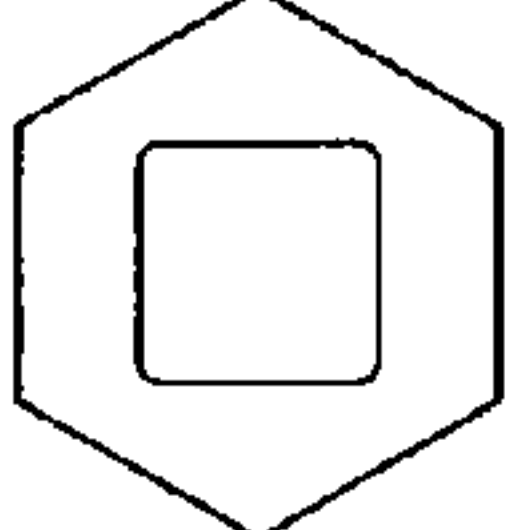


Fig. 6



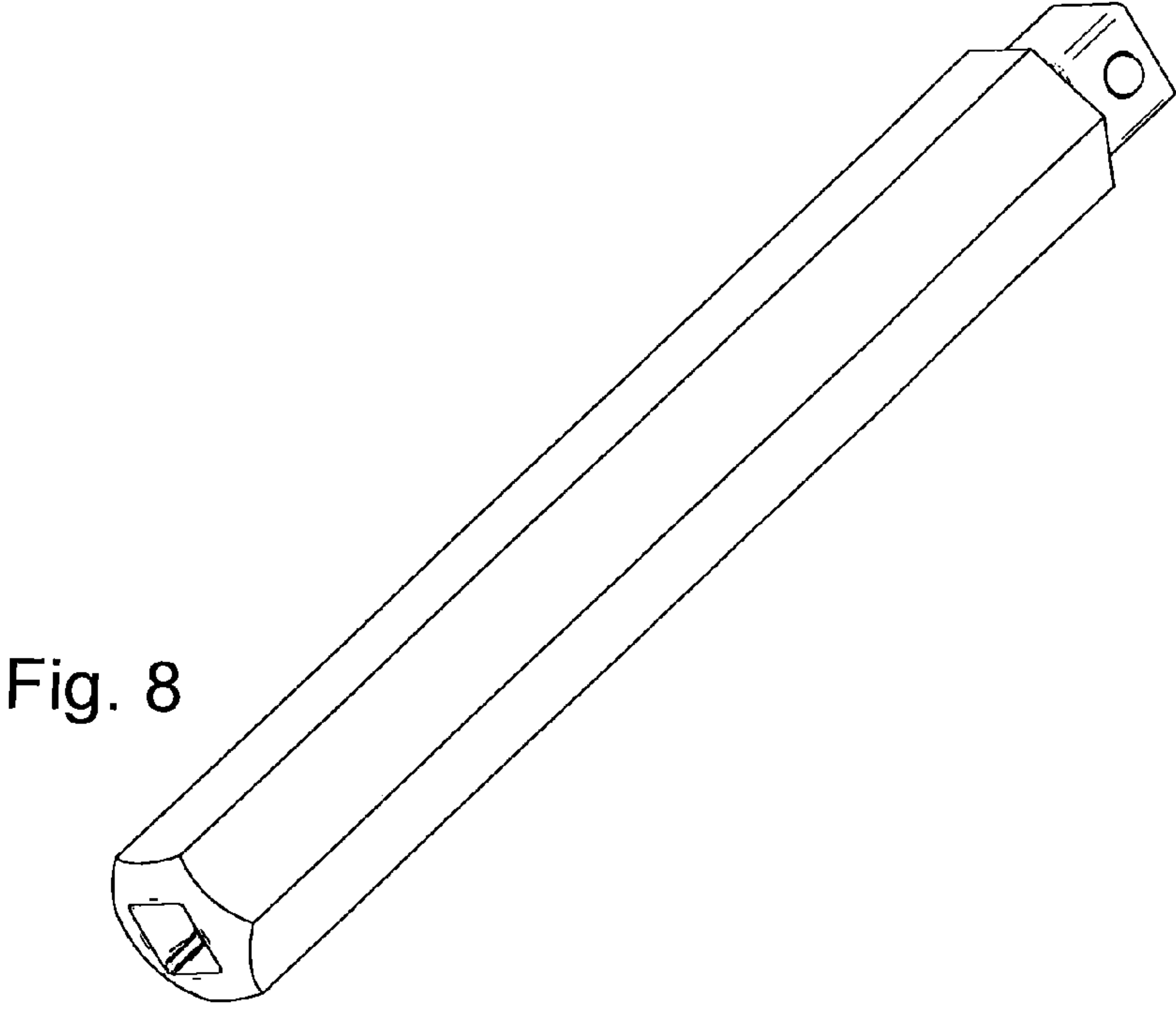
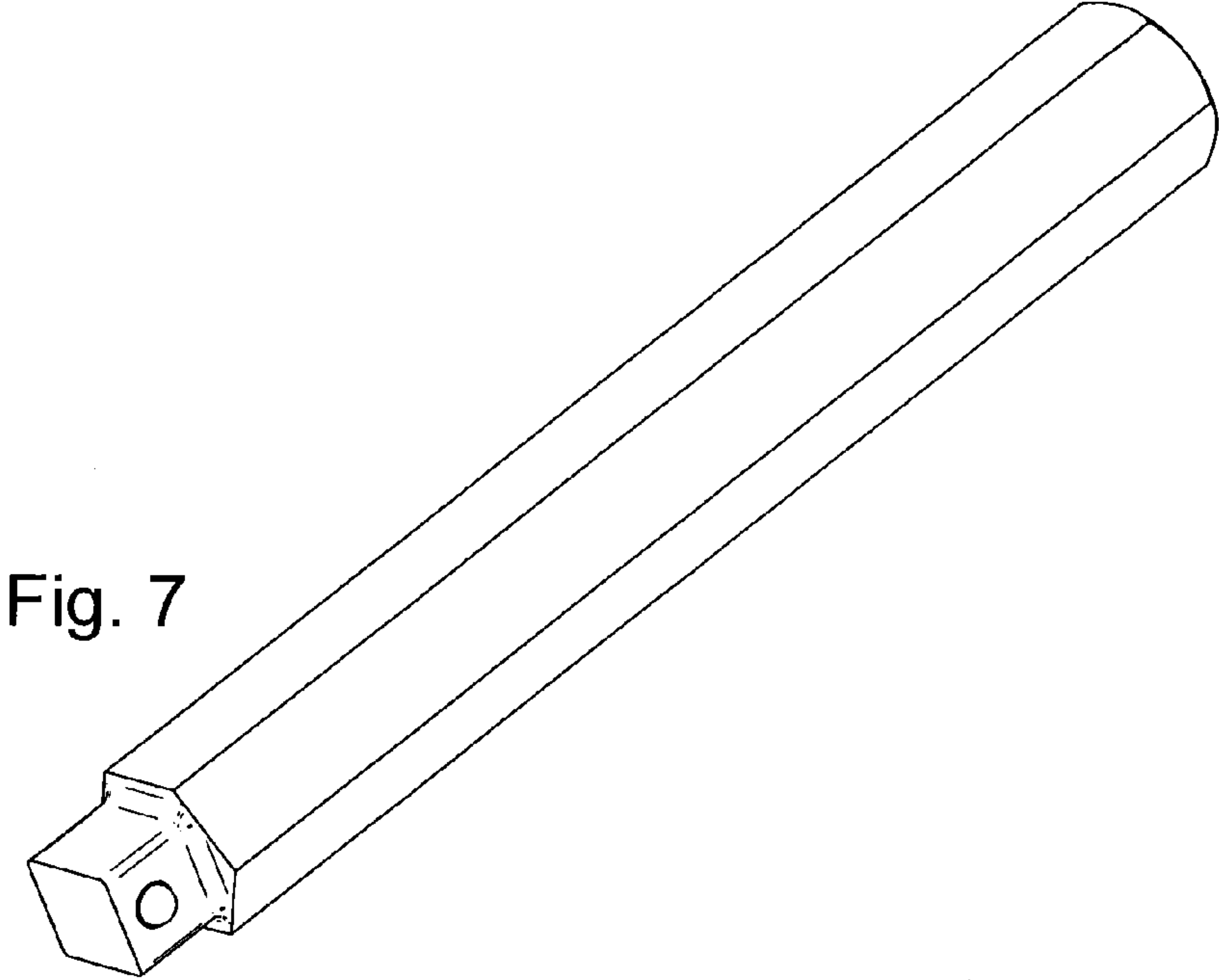


Fig. 9

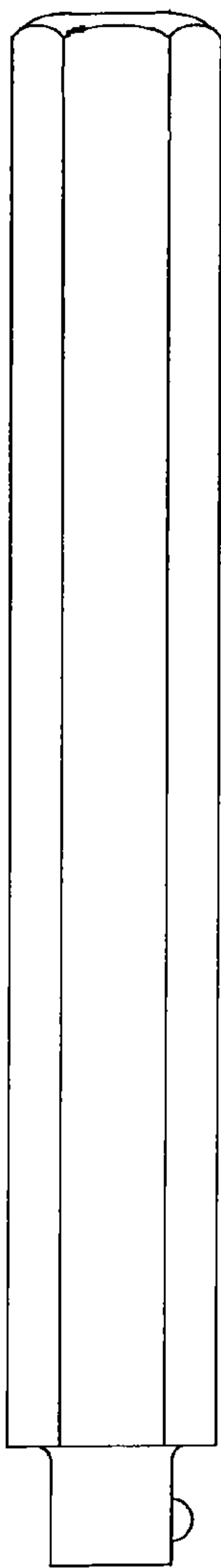


Fig. 10

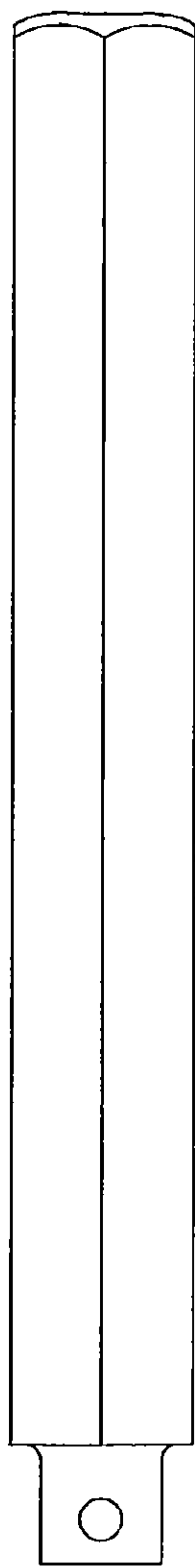


Fig. 11

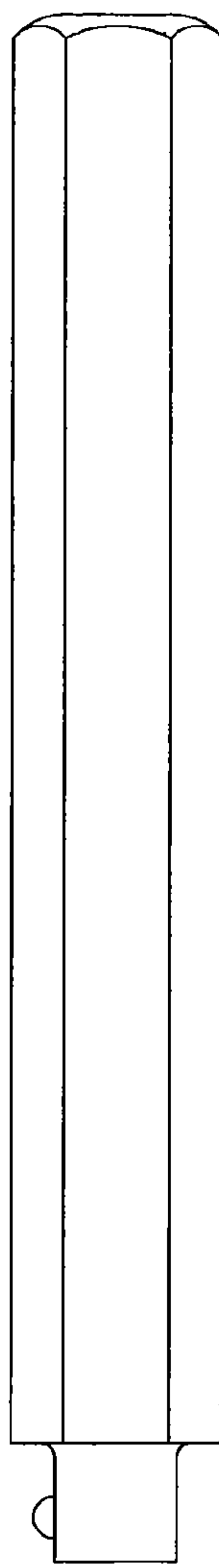


Fig. 12

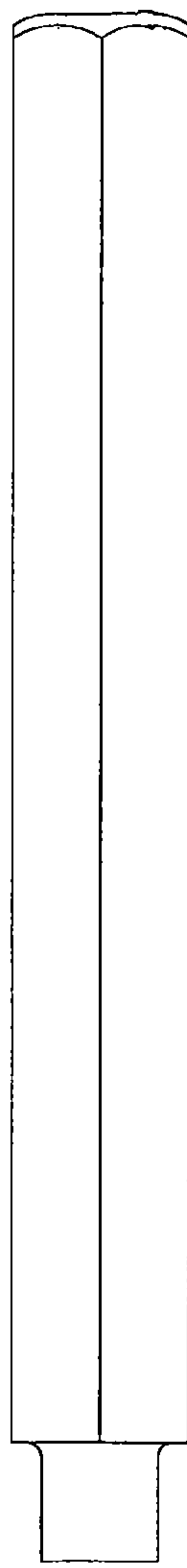


Fig. 13

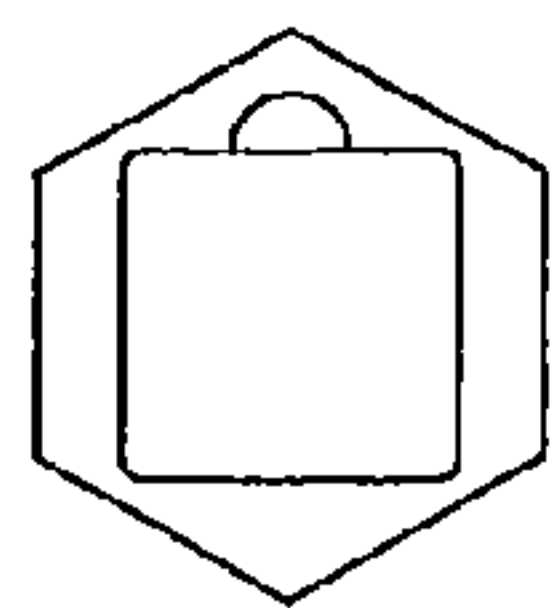


Fig. 14

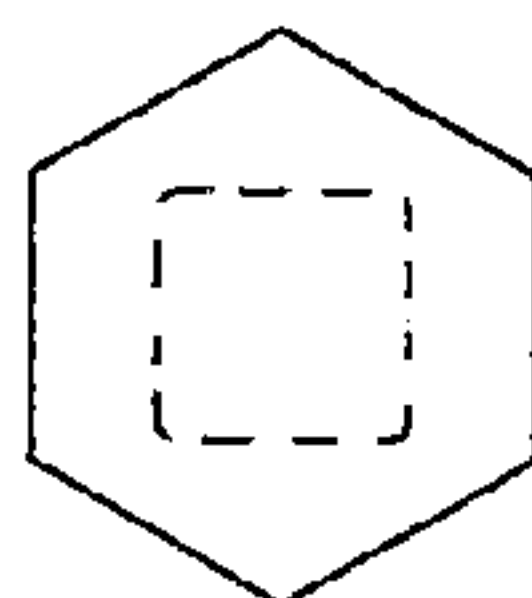


Fig. 15

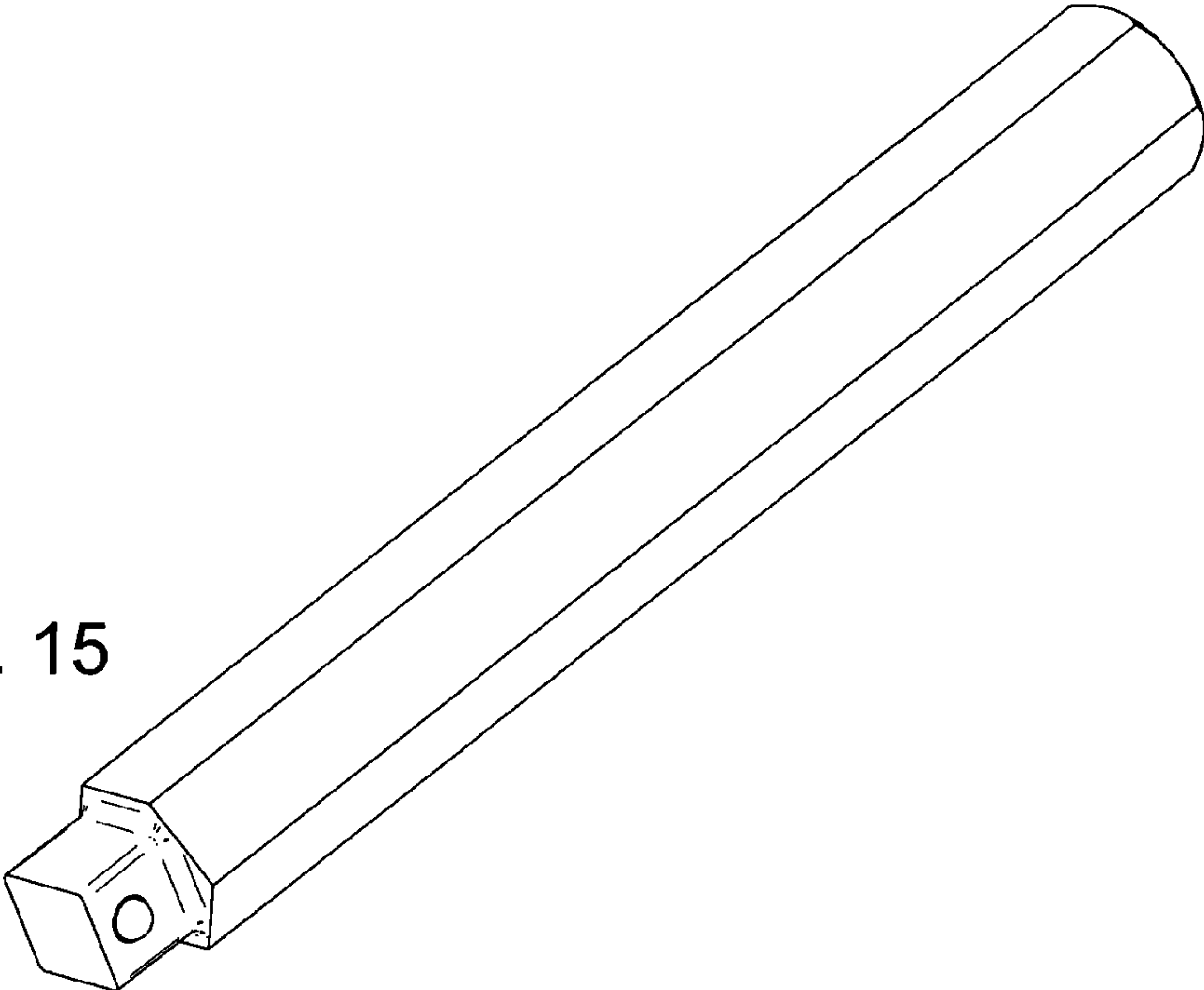


Fig. 16

