



US00D688543S

(12) **United States Design Patent**
Neitzell et al.

(10) **Patent No.:** **US D688,543 S**

(45) **Date of Patent:** **** Aug. 27, 2013**

(54) **SAW BLADE**

FOREIGN PATENT DOCUMENTS

(71) Applicant: **Milwaukee Electric Tool Corporation**,
Brookfield, WI (US)

CN 1077474 1/2002
DE 3738016 5/1989

(Continued)

(72) Inventors: **Roger D. Neitzell**, Palmyra, WI (US);
Ryan J. Malloy, Milwaukee, WI (US);
Austin Kazda, Wauwatosa, WI (US);
Robert W. Butzen, Colgate, WI (US)

OTHER PUBLICATIONS

International Search Report and Written Opinion for Application No.
PCT/US2012/049655 dated Jan. 30, 2013 (15 pages).

(73) Assignee: **Milwaukee Electric Tool Corporation**,
Brookfield, WI (US)

Primary Examiner — Garth Rademaker

(74) *Attorney, Agent, or Firm* — Michael Best & Friedrich
LLP

(**) Term: **14 Years**

(57) **CLAIM**

(21) Appl. No.: **29/433,586**

We claim the ornamental design for a saw blade, as shown and
described.

(22) Filed: **Oct. 2, 2012**

DESCRIPTION

Related U.S. Application Data

(63) Continuation-in-part of application No. 29/416,281,
filed on Mar. 20, 2012, and a continuation-in-part of
application No. 13/566,985, filed on Aug. 3, 2012.

(51) **LOC (9) Cl.** **08-03**

(52) **U.S. Cl.**
USPC **D8/20**

(58) **Field of Classification Search**

USPC D8/14, 16, 18–20, 45, 47, 64, 66,
D8/67, 90–99; D15/127, 133, 138, 139;
D22/117, 118; D24/146; 7/118, 148; 30/142,
30/144, 165, 166.3, 168, 169, 272.1, 314,
30/320, 346, 346.5, 346.55, 346.56, 349,
30/351, 355–357

See application file for complete search history.

FIG. 1 is a perspective view of a saw blade according to a first
embodiment of the invention;
FIG. 2 is an opposite side perspective view thereof;
FIG. 3 is a side view thereof;
FIG. 4 is an opposite side view thereof;
FIG. 5 is a top view thereof;
FIG. 6 is a bottom view thereof;
FIG. 7 is an end view thereof, shown at an enlarged scale;
FIG. 8 is an opposite end view thereof, shown at an enlarged
scale;
FIG. 9 is a perspective view of a saw blade according to a
second embodiment of the invention;
FIG. 10 is an opposite side perspective view thereof;
FIG. 11 is a side view thereof;
FIG. 12 is an opposite side view thereof;
FIG. 13 is a top plan view thereof;
FIG. 14 is a bottom plan view thereof;
FIG. 15 is an end view thereof, shown at an enlarged scale;
and,
FIG. 16 is an opposite end view thereof, shown at an enlarged
scale.

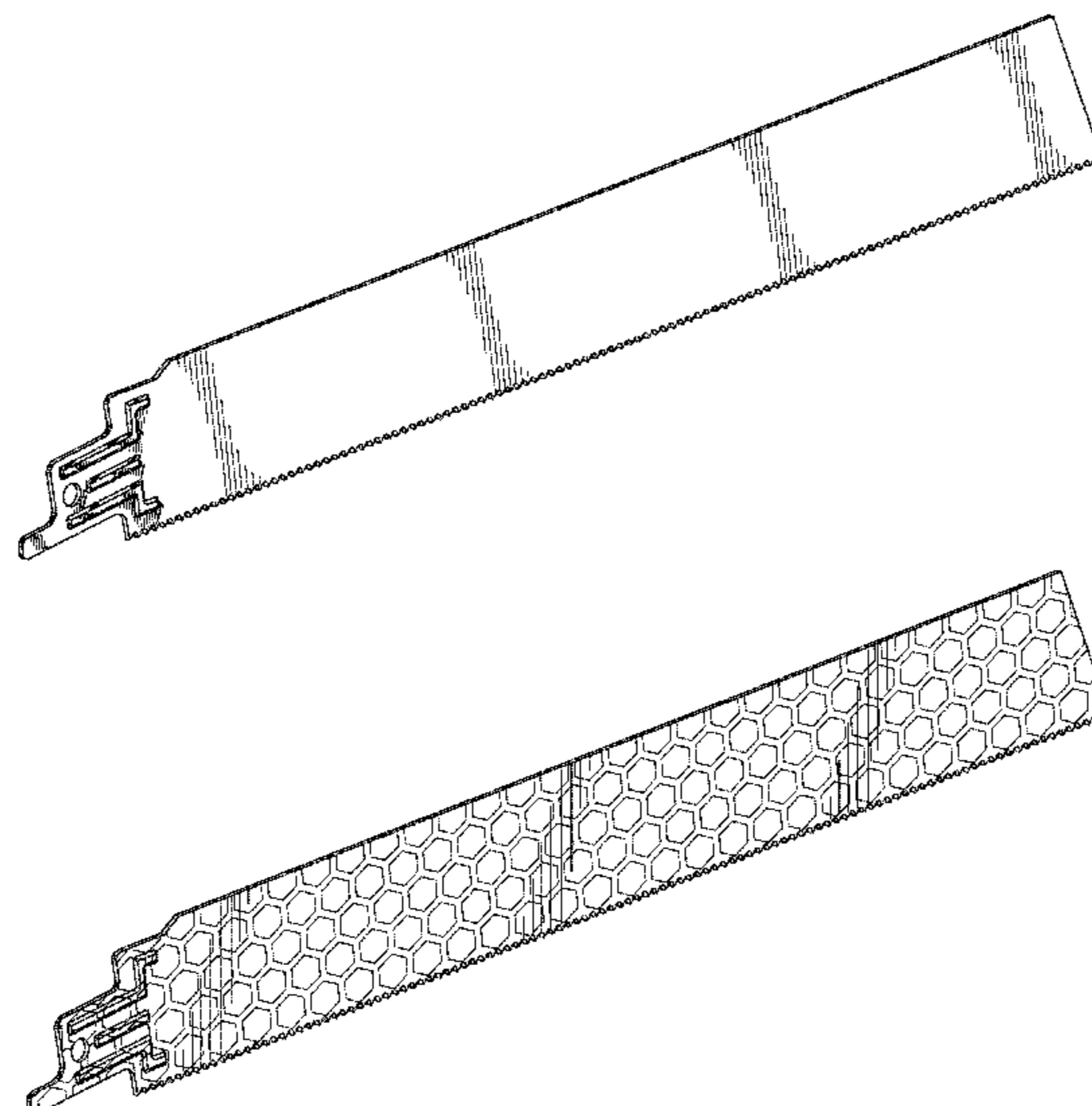
(56) **References Cited**

U.S. PATENT DOCUMENTS

118,800 A 9/1871 Green
507,071 A 10/1893 Huff

(Continued)

1 Claim, 8 Drawing Sheets



(56)

References Cited

U.S. PATENT DOCUMENTS

529,528 A 11/1894 Goff
 615,518 A 12/1898 Baker et al.
 730,398 A 5/1903 Pridmore
 791,758 A 6/1905 Earle
 1,136,561 A 4/1915 Stewart
 1,294,554 A 2/1919 Smith
 1,352,140 A 9/1920 Napier
 1,676,071 A 7/1928 Bolinder
 2,784,751 A 3/1957 Alexander
 2,791,248 A 5/1957 Beale
 2,987,086 A 6/1961 Westlund, Jr.
 3,028,889 A 4/1962 McCarty
 3,261,097 A 7/1966 Ritter
 3,357,462 A 12/1967 Carven
 3,537,491 A 11/1970 Kolesh
 3,602,991 A 9/1971 Heinrich et al.
 3,630,699 A 12/1971 Catlin et al.
 3,716,916 A 2/1973 Alexander
 3,742,603 A 7/1973 Yamaoka
 3,916,522 A 11/1975 Sakai et al.
 3,927,893 A 12/1975 Dillon et al.
 3,988,955 A 11/1976 Engel et al.
 3,990,338 A 11/1976 Wikner et al.
 3,994,065 A 11/1976 Plum
 4,021,899 A 5/1977 Jensen
 4,036,236 A 7/1977 Rhodes, Jr.
 4,039,700 A 8/1977 Sohmer et al.
 4,102,230 A 7/1978 Magnusson et al.
 4,106,181 A 8/1978 Mattchen
 4,385,441 A 5/1983 Young
 4,386,609 A 6/1983 Mongeon
 4,442,559 A 4/1984 Collins
 4,513,742 A 4/1985 Arnegger
 4,574,676 A 3/1986 Jensen-Herfeld
 4,625,594 A 12/1986 Janke
 4,806,731 A 2/1989 Bragard et al.
 4,819,334 A 4/1989 Mongeon
 4,872,452 A 10/1989 Alexson
 4,943,042 A 7/1990 Jung
 4,945,640 A 8/1990 Garg et al.
 5,002,555 A 3/1991 Petersen
 5,016,356 A 5/1991 Trench
 5,088,372 A 2/1992 Lund et al.
 5,100,506 A 3/1992 Sturtevant et al.
 5,103,565 A 4/1992 Holzer, Jr.
 5,119,708 A 6/1992 Musgrove
 5,122,142 A 6/1992 Pascaloff
 5,133,728 A 7/1992 Petersen
 5,135,533 A 8/1992 Petersen et al.
 5,182,976 A 2/1993 Wittkopp
 5,193,280 A 3/1993 Jackson
 5,219,378 A 6/1993 Arnold
 5,295,426 A 3/1994 Planchon
 5,340,129 A 8/1994 Wright
 5,433,457 A 7/1995 Wright
 D361,029 S 8/1995 Goris
 D365,424 S * 12/1995 Weller D8/16
 5,507,763 A 4/1996 Petersen et al.
 5,517,889 A 5/1996 Logan
 5,524,518 A 6/1996 Sundstrom
 5,554,165 A 9/1996 Raitt et al.
 5,555,788 A 9/1996 Gakhar et al.
 5,573,255 A 11/1996 Salpaka
 5,644,847 A 7/1997 Odendahl et al.
 D388,318 S 12/1997 Achterberg et al.
 5,704,828 A 1/1998 Young et al.
 5,711,287 A 1/1998 Speer
 5,724,742 A 3/1998 Grabowski
 5,802,947 A 9/1998 Ward, Jr. et al.
 5,809,657 A 9/1998 Mortensen
 D406,023 S * 2/1999 Okada D8/20
 5,918,525 A 7/1999 Schramm
 RE36,269 E 8/1999 Wright
 5,946,810 A 9/1999 Hoelderlin et al.
 6,023,848 A 2/2000 Dassoulas et al.

6,145,426 A 11/2000 Ward et al.
 6,178,646 B1 1/2001 Schnell et al.
 6,234,727 B1 5/2001 Barazani
 6,401,585 B1 6/2002 Morgan
 D465,138 S 11/2002 Raines
 6,532,855 B1 3/2003 Ward et al.
 D479,106 S * 9/2003 Robertsson D8/20
 D479,107 S 9/2003 Rack
 6,612,039 B2 9/2003 Kakiuchi et al.
 6,656,186 B2 12/2003 Meckel
 6,662,698 B2 12/2003 Wheeler et al.
 6,678,959 B1 1/2004 Phillip et al.
 6,684,481 B2 2/2004 Kullmer
 6,725,548 B1 4/2004 Kramer et al.
 6,857,348 B1 2/2005 Mason
 6,860,886 B1 3/2005 Lee
 6,871,405 B2 3/2005 Reale et al.
 6,872,133 B2 3/2005 Lee et al.
 6,895,650 B2 5/2005 Fried et al.
 6,896,679 B2 5/2005 Danger et al.
 7,001,403 B2 2/2006 Hausmann et al.
 7,127,820 B2 10/2006 Miller
 D534,401 S 1/2007 Duffin et al.
 D536,791 S * 2/2007 Eskridge et al. D24/146
 7,251,897 B2 8/2007 Shuhua
 7,257,900 B2 8/2007 Wheeler et al.
 D572,821 S 7/2008 Burgard
 7,497,860 B2 3/2009 Carusillo et al.
 D601,869 S * 10/2009 Nelson D8/20
 7,600,458 B2 10/2009 Hampton et al.
 D603,231 S * 11/2009 Fisher et al. D8/20
 7,658,136 B2 2/2010 Rompet et al.
 7,691,106 B2 4/2010 Schenberger et al.
 7,748,125 B2 7/2010 Rakaczki
 7,806,033 B2 10/2010 Kocher et al.
 7,871,080 B2 1/2011 Marini et al.
 7,946,041 B2 5/2011 Frankl
 8,042,443 B2 10/2011 Nishio et al.
 8,046,926 B2 11/2011 Bigden et al.
 8,261,456 B2 * 9/2012 Scott et al. 30/166.3
 2002/0184988 A1 12/2002 Rohman et al.
 2003/0024354 A1 2/2003 Ward et al.
 2003/0145472 A1 8/2003 Swift
 2003/0192419 A1 10/2003 Conti
 2004/0221461 A1 11/2004 Knisley et al.
 2006/0053630 A1 3/2006 White
 2006/0137498 A1 6/2006 Bowling
 2006/0174495 A1 8/2006 Jumior
 2007/0074405 A1 4/2007 Nottingham et al.
 2008/0172890 A1 7/2008 Shetterly
 2009/0071015 A1 3/2009 Scott
 2009/0145280 A1 6/2009 Bucks et al.
 2009/0273146 A1 11/2009 Dezheng et al.
 2010/0175532 A1 7/2010 Evatt et al.
 2010/0218389 A1 9/2010 Kalomeris et al.
 2010/0228256 A1 9/2010 Walen et al.
 2011/0000475 A1 1/2011 Baratta et al.
 2011/0074122 A1 3/2011 Marini et al.
 2012/0041443 A1 2/2012 Landon
 2012/0042765 A1 2/2012 Kazda et al.
 2012/0090443 A1 4/2012 Butzen et al.
 2013/0031791 A1 * 2/2013 Butzen et al. 30/355

FOREIGN PATENT DOCUMENTS

DE 3838844 5/1990
 DE 10014222 9/2001
 DE 10010526 10/2001
 DE 69731304 11/2005
 EP 0695607 2/1996
 EP 1263333 4/2006
 FR 1169494 12/1958
 GB 2179593 3/1987
 GB 2439291 12/2007
 JP 06-143029 5/1994
 JP 10-328929 12/1998
 JP 2007-326194 12/2007
 WO 2012028890 3/2012

* cited by examiner

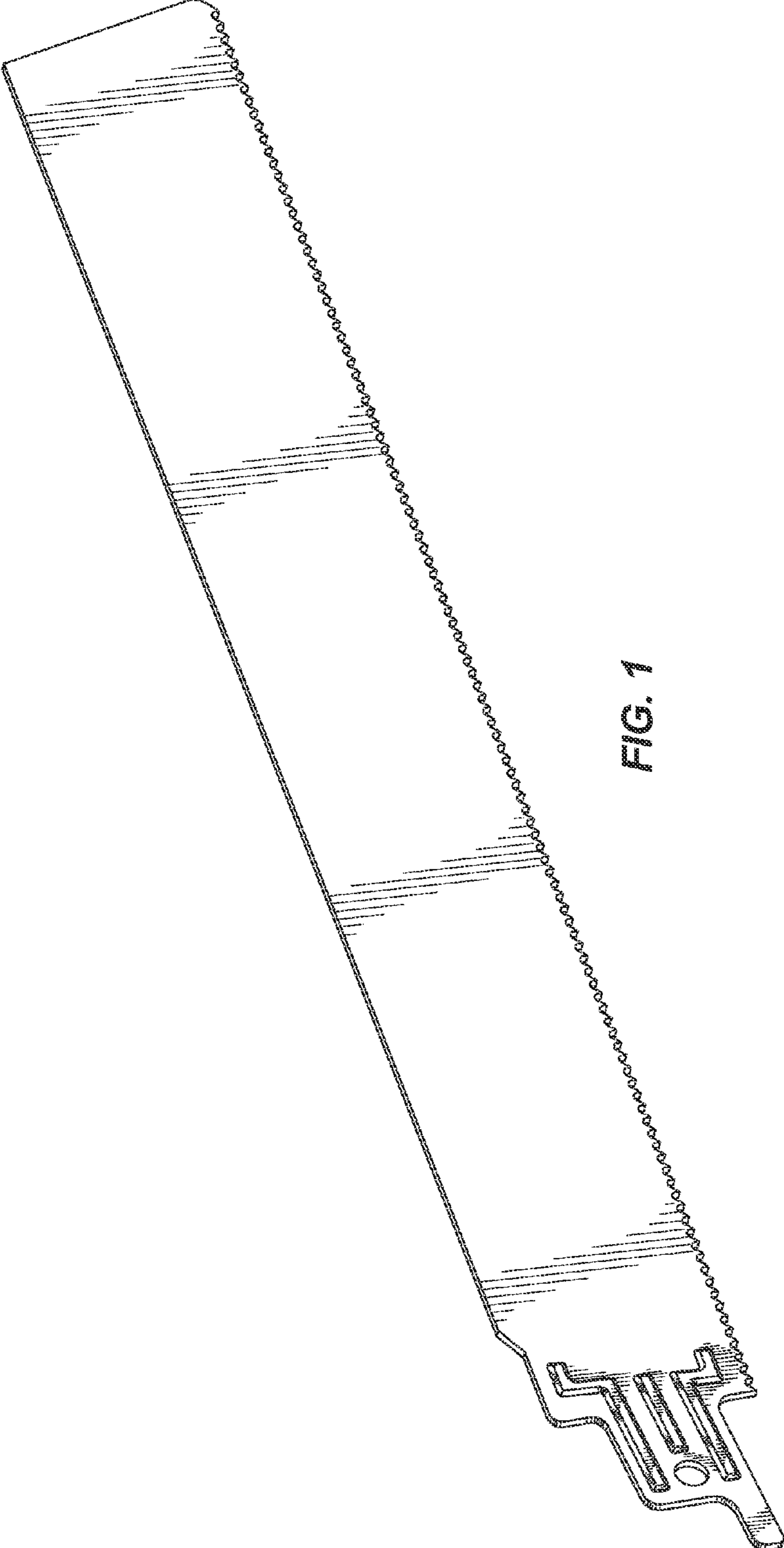


FIG. 1

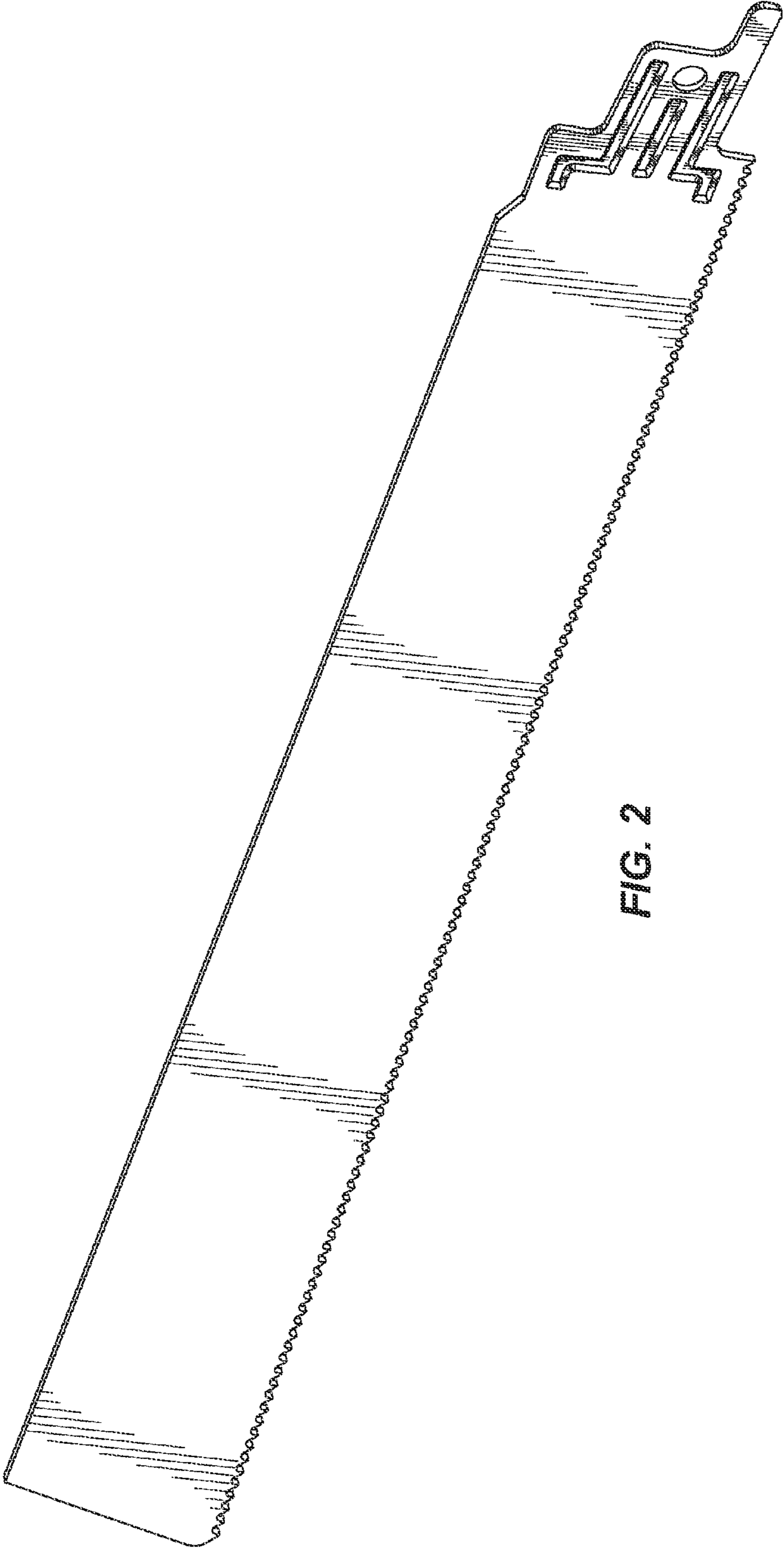


FIG. 2

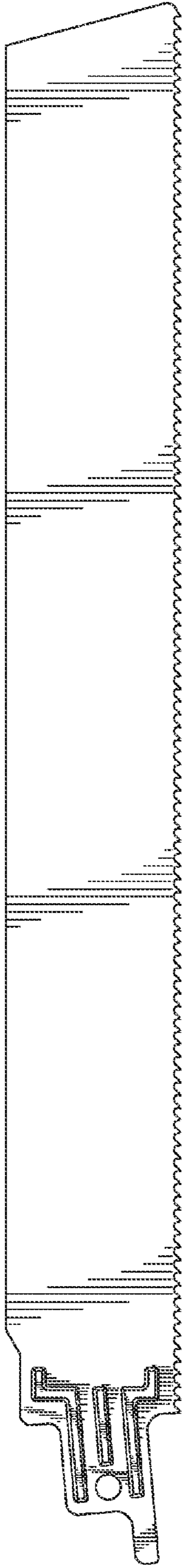


FIG. 3

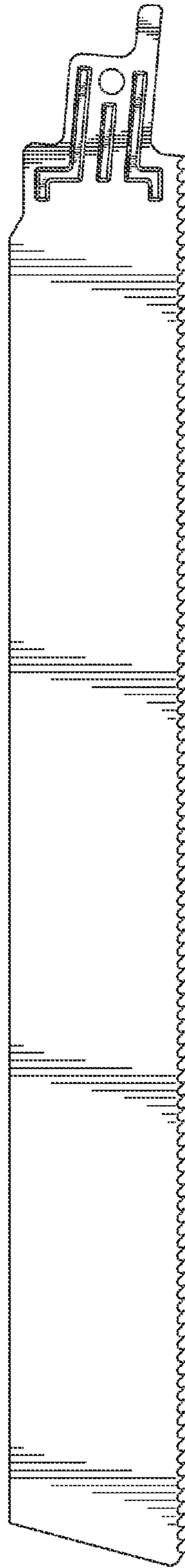


FIG. 4



FIG. 5



FIG. 6



FIG. 7



FIG. 8

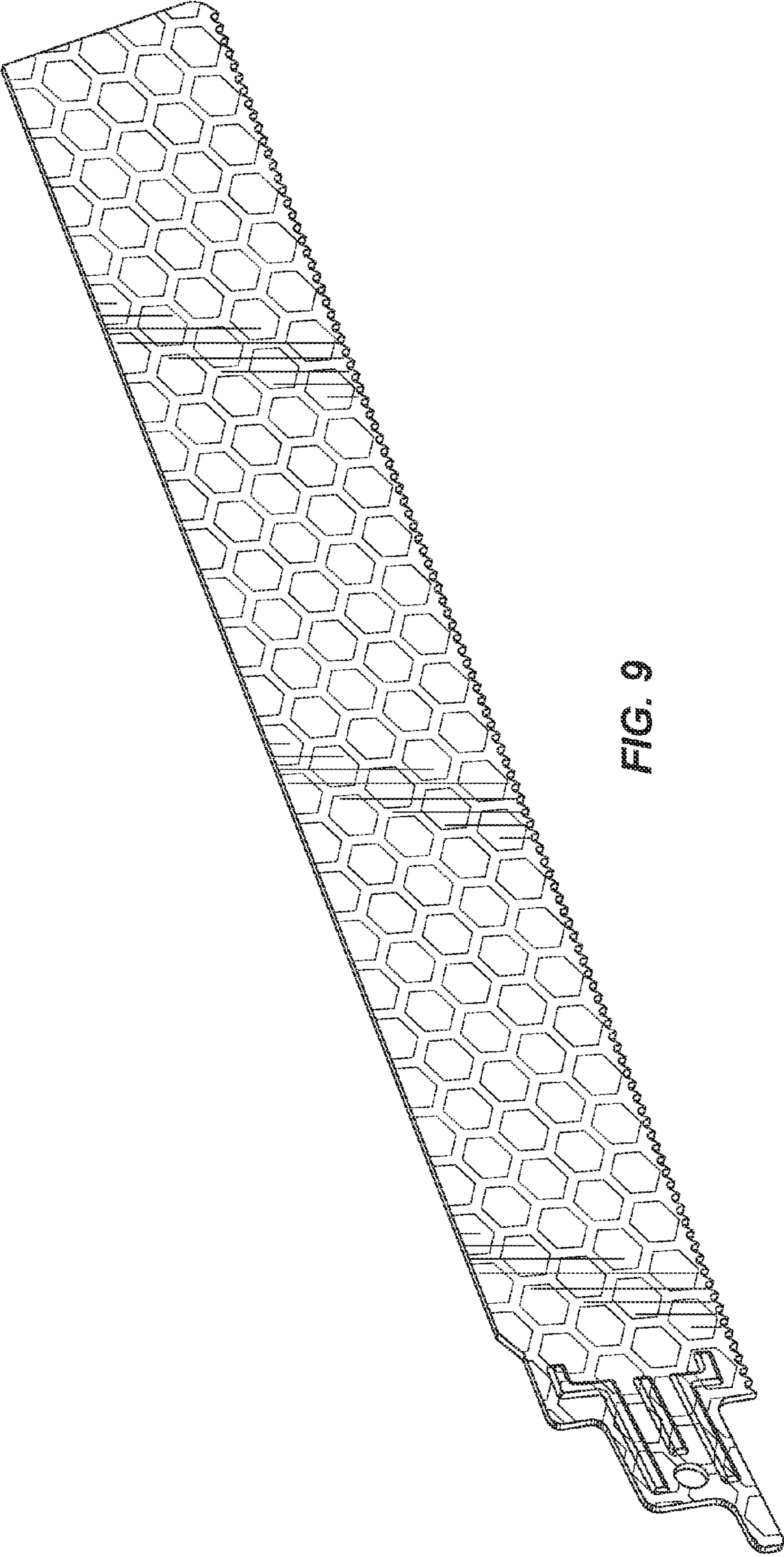


FIG. 9

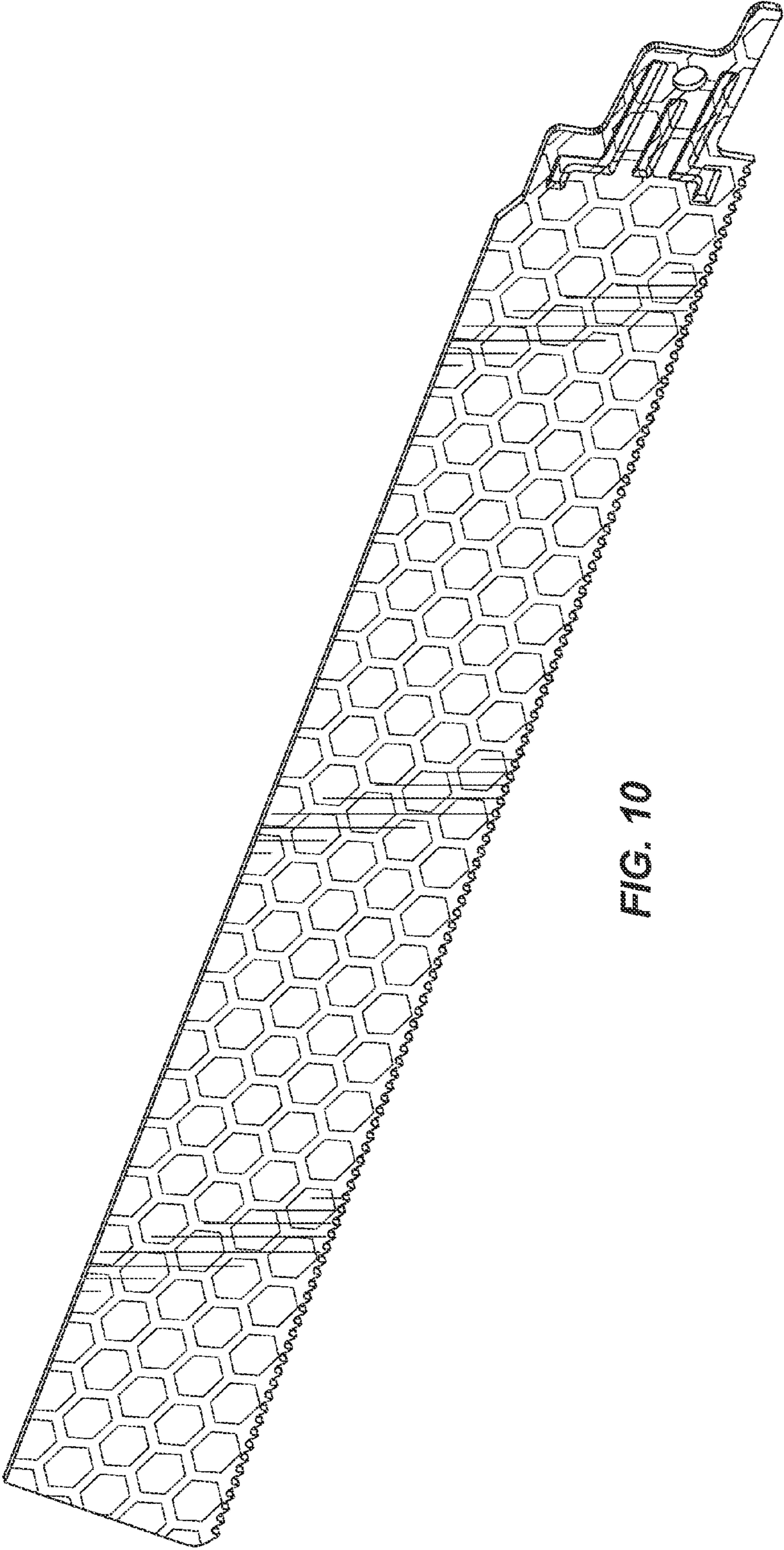


FIG. 10

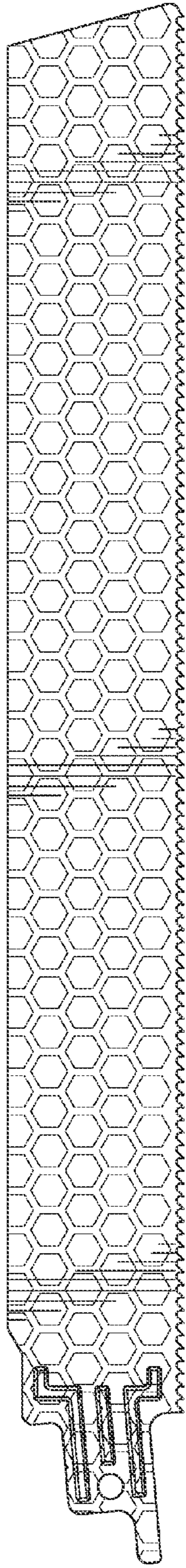


FIG. 11

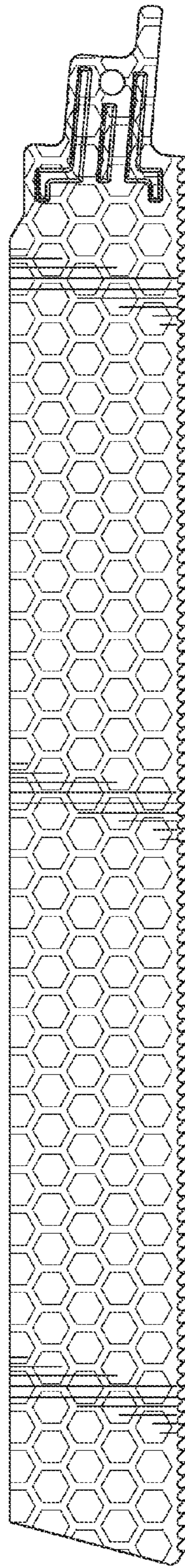


FIG. 12



FIG. 13



FIG. 14



FIG. 15

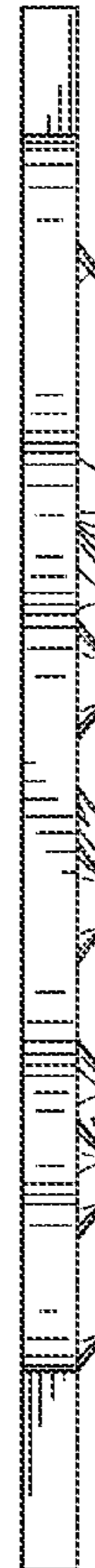


FIG. 16