



US00D688542S

(12) **United States Design Patent**  
**Wysoczynski et al.**

(10) **Patent No.:** **US D688,542 S**

(45) **Date of Patent:** **\*\* Aug. 27, 2013**

(54) **MULTI-FUNCTIONAL BAR TOOL**  
(71) Applicant: **Barwrench, Inc.**, Athens, GA (US)  
(72) Inventors: **Chris Wysoczynski**, Gulf Breeze, FL (US); **James F. C. A. Smith**, Athens, GA (US)  
(73) Assignee: **Barwrench, Inc.**, Athens, GA (US)  
(\*\*) Term: **14 Years**

D201,302 S \* 6/1965 Bowden ..... D8/14  
D353,755 S \* 12/1994 Lane ..... D8/17  
D385,162 S 10/1997 Barrick  
D407,958 S \* 4/1999 Royse, III ..... D8/16  
D420,265 S 2/2000 Pierce  
D488,689 S 4/2004 Smith  
D501,381 S \* 2/2005 Kelleghan ..... D8/18  
D624,378 S \* 9/2010 Wysopal ..... D8/40  
D637,463 S \* 5/2011 Silvers et al. .... D8/18  
8,015,642 B1 \* 9/2011 Oakley ..... 7/156  
D654,770 S \* 2/2012 Frank et al. .... D8/40

\* cited by examiner

(21) Appl. No.: **29/439,105**  
(22) Filed: **Dec. 6, 2012**  
(51) **LOC (9) Cl.** ..... **07-99**  
(52) **U.S. Cl.**  
USPC ..... **D8/18**  
(58) **Field of Classification Search**  
USPC ..... D8/14, 16-19, 33-43, 88, 89, 105;  
7/113, 151-156; 30/400-410, 416-430,  
30/433, 434, 443, 450; 81/3.07, 3.09, 3.2,  
81/3.27, 3.29, 3.31, 3.35, 3.37, 3.4, 3.45,  
81/3.48, 3.49, 3.55  
See application file for complete search history.

*Primary Examiner* — Garth Rademaker

(74) *Attorney, Agent, or Firm* — Chalker Flores, LLP;  
Chainey P. Singleton

(57) **CLAIM**

The ornamental design for a multi-functional bar tool, as shown and described.

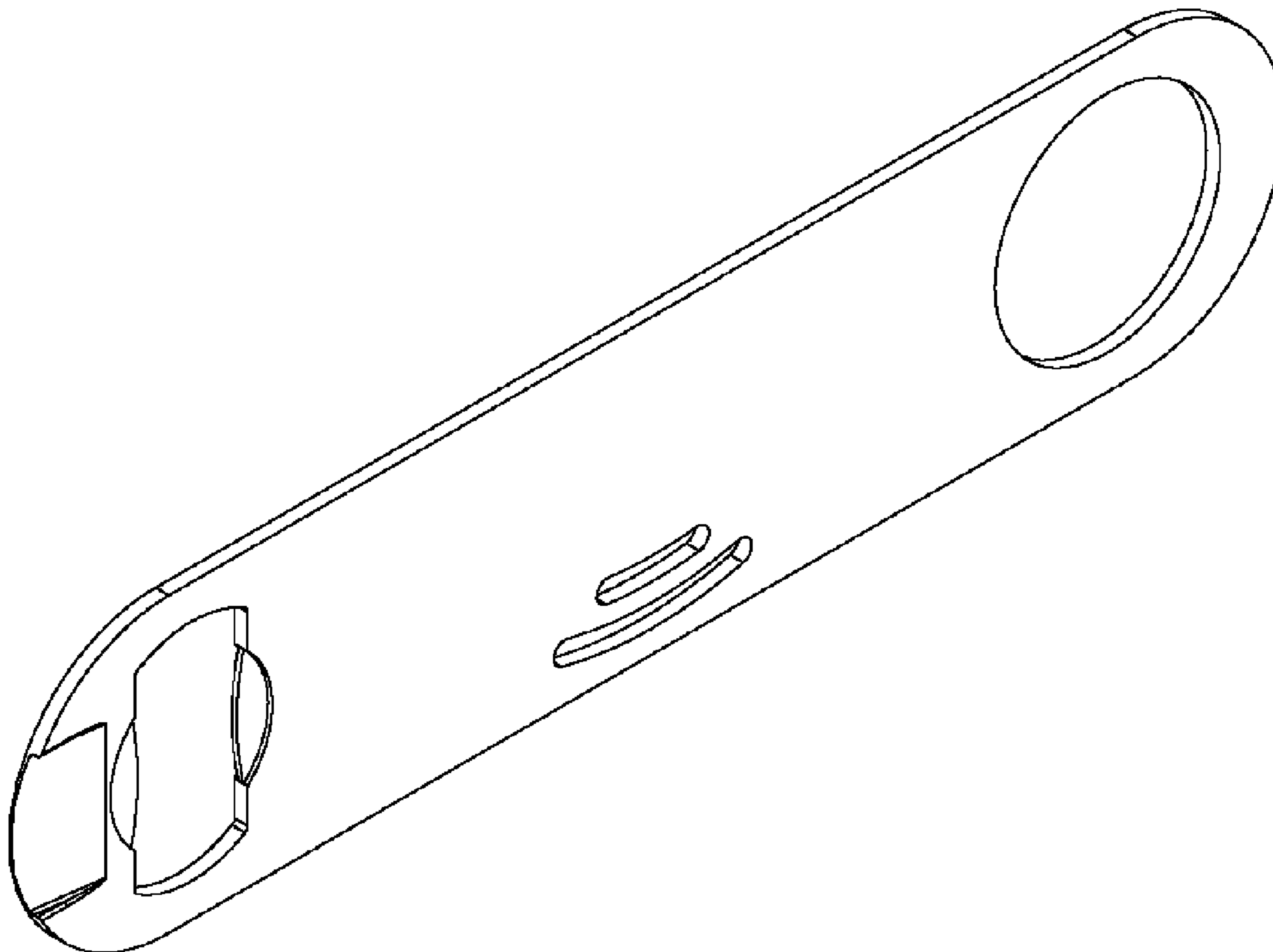
**DESCRIPTION**

FIG. 1 is a perspective view of a multi-functional bar tool;  
FIG. 2 is a top view thereof, shown at a reduced scale;  
FIG. 3 is a side view thereof; and,  
FIG. 4 is an end view thereof.

A multi-functional bar tool which may be used for opening of bottle tops and can tabs and for preparation of libations.

(56) **References Cited**  
U.S. PATENT DOCUMENTS  
D42,070 S \* 12/1911 Vaughan ..... D8/18  
D197,409 S 1/1964 Kortick

**1 Claim, 2 Drawing Sheets**



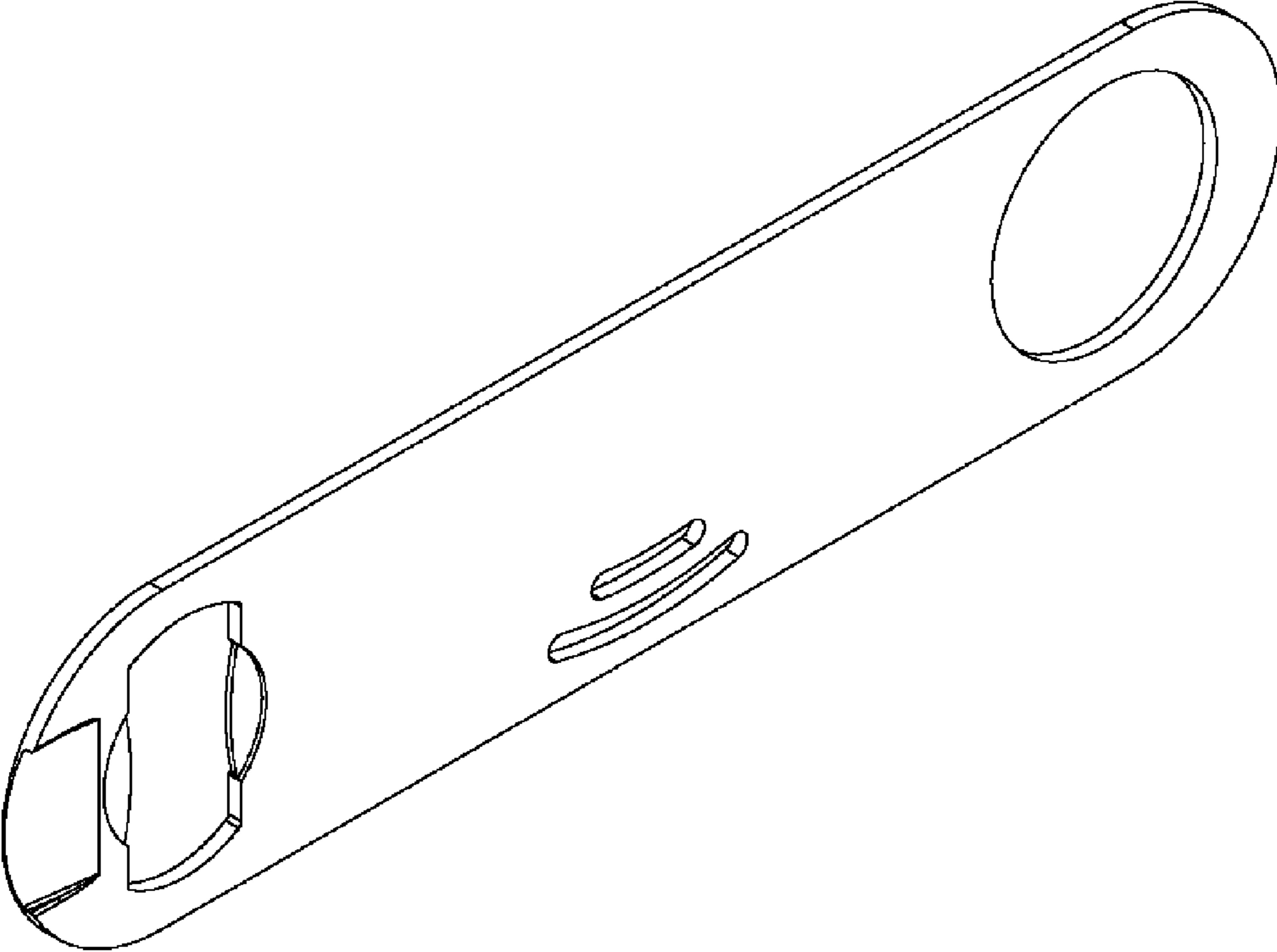


FIGURE 1

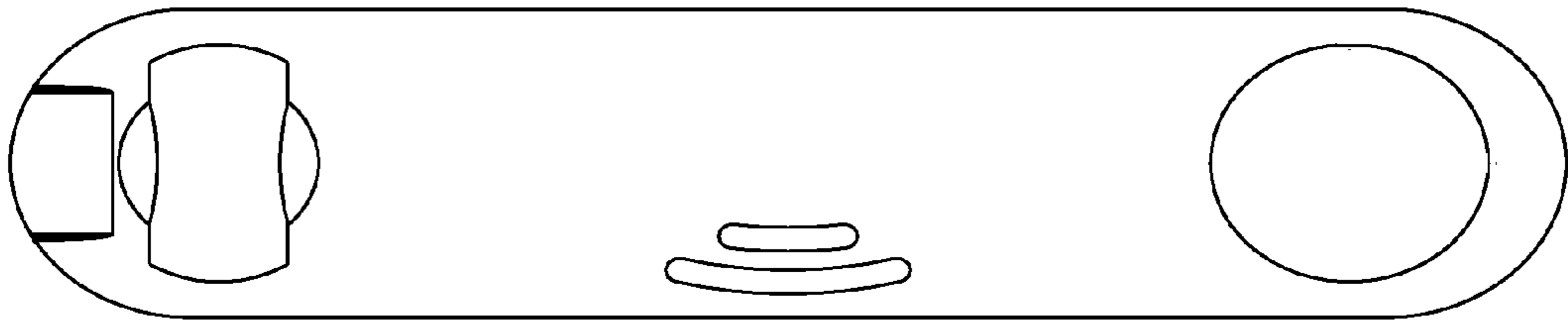


FIGURE 2

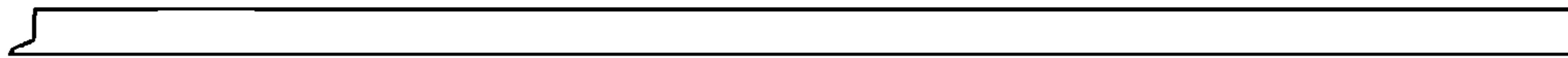


FIGURE 3

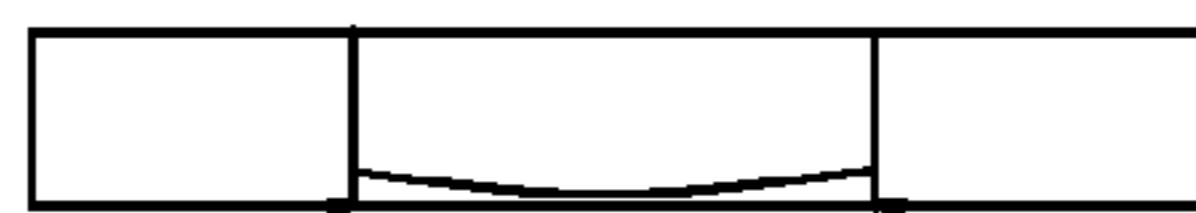


FIGURE 4