

US00D688541S

(12) **United States Design Patent**
Frenkel

(10) **Patent No.:** **US D688,541 S**

(45) **Date of Patent:** **** Aug. 27, 2013**

(54) **SHOVEL HEAD**

(75) Inventor: **Moises Sheinberg Frenkel**, Delegación Miguel Hidalgo (MX)

(73) Assignee: **Truper Herramientas, SA de CV**, Jilotepec (MX)

(**) Term: **14 Years**

(21) Appl. No.: **29/431,028**

(22) Filed: **Aug. 31, 2012**

Related U.S. Application Data

(63) Continuation of application No. 29/391,285, filed on May 5, 2011, now abandoned.

(51) **LOC (9) Cl.** **08-01**

(52) **U.S. Cl.**
USPC **D8/10**

(58) **Field of Classification Search**
USPC D8/10; 294/49, 53.5, 54.5, 57, 55.5;
56/400.1; 172/371-372
See application file for complete search history.

(56) **References Cited**

U.S. PATENT DOCUMENTS

| | | | |
|----------------|--------|-------------|--------|
| D102,957 S | 1/1937 | Renner | |
| 3,020,077 A | 2/1962 | Rokos | |
| 4,050,727 A | 9/1977 | Bonnes | |
| D292,061 S | 9/1987 | Germain | |
| D319,952 S | 9/1991 | Harvey, Sr. | |
| D397,279 S * | 8/1998 | Rich et al. | D8/10 |
| D407,955 S | 4/1999 | Bierman | |
| 6,170,893 B1 * | 1/2001 | Parker | 294/49 |
| D492,885 S | 7/2004 | Whitlock | |
| D500,432 S | 1/2005 | Villani | |
| D506,654 S | 6/2005 | Costa | |

| | | | |
|--------------|---------|-----------------|-------|
| D534,045 S | 12/2006 | Fortier | |
| D563,181 S | 3/2008 | Gailey | |
| D570,653 S | 6/2008 | Baker | |
| D596,470 S | 7/2009 | Greenly | |
| D601,867 S * | 10/2009 | Carroll | D8/10 |
| D602,751 S * | 10/2009 | Boies et al. | D8/10 |
| D604,128 S * | 11/2009 | Carroll | D8/10 |
| D604,572 S * | 11/2009 | Randolph et al. | D8/10 |
| D606,817 S | 12/2009 | Boies | |
| D617,615 S | 6/2010 | Randolph et al. | |
| D617,616 S | 6/2010 | Randolph et al. | |
| D621,670 S | 8/2010 | Rubinstein | |
| D623,488 S * | 9/2010 | Randolph et al. | D8/10 |
| D626,389 S * | 11/2010 | Randolph et al. | D8/10 |
| D626,390 S | 11/2010 | Randolph et al. | |
| D628,452 S * | 12/2010 | Randolph et al. | D8/10 |
| D634,996 S * | 3/2011 | Randolph et al. | D8/10 |
| D648,994 S * | 11/2011 | Randolph et al. | D8/10 |
| D650,250 S * | 12/2011 | Frenkel | D8/10 |

(Continued)

Primary Examiner — Sheryl Lane

(74) *Attorney, Agent, or Firm* — James P. Muraff; Neal, Gerber & Eisenberg LLP

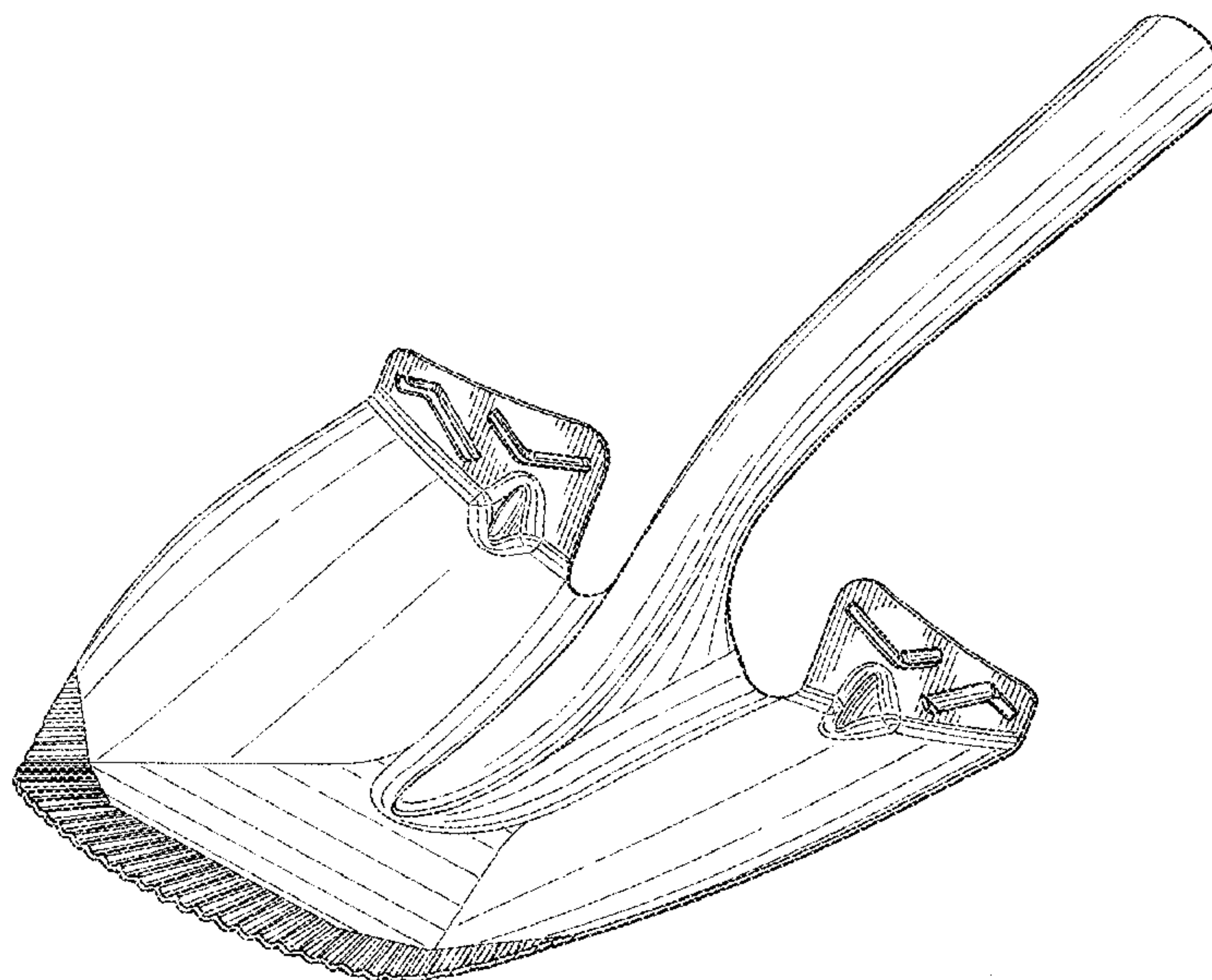
(57) **CLAIM**

The ornamental design for the shovel head, as shown and described in the accompanying drawings.

DESCRIPTION

FIG. 1 is a perspective view of the top side of the shovel head, in accordance with the present invention;
FIG. 2 is a top view of the shovel head depicted in FIG. 1;
FIG. 3 is a side view of the shovel head depicted in FIG. 1;
FIG. 4 is a front view of the shovel head depicted in FIG. 1;
FIG. 5 is a rear view of the shovel head depicted in FIG. 1;
and,
FIG. 6 is a bottom view of the shovel head depicted in FIG. 1.

1 Claim, 5 Drawing Sheets



US D688,541 S

Page 2

(56)

References Cited

U.S. PATENT DOCUMENTS

D653,510 S * 2/2012 Huff D8/10
D665,637 S * 8/2012 Baker D8/10

D673,017 S * 12/2012 Jusidman-Rubinstein D8/10
D673,018 S * 12/2012 Zang D8/10
D673,823 S 1/2013 Randolph et al.

* cited by examiner

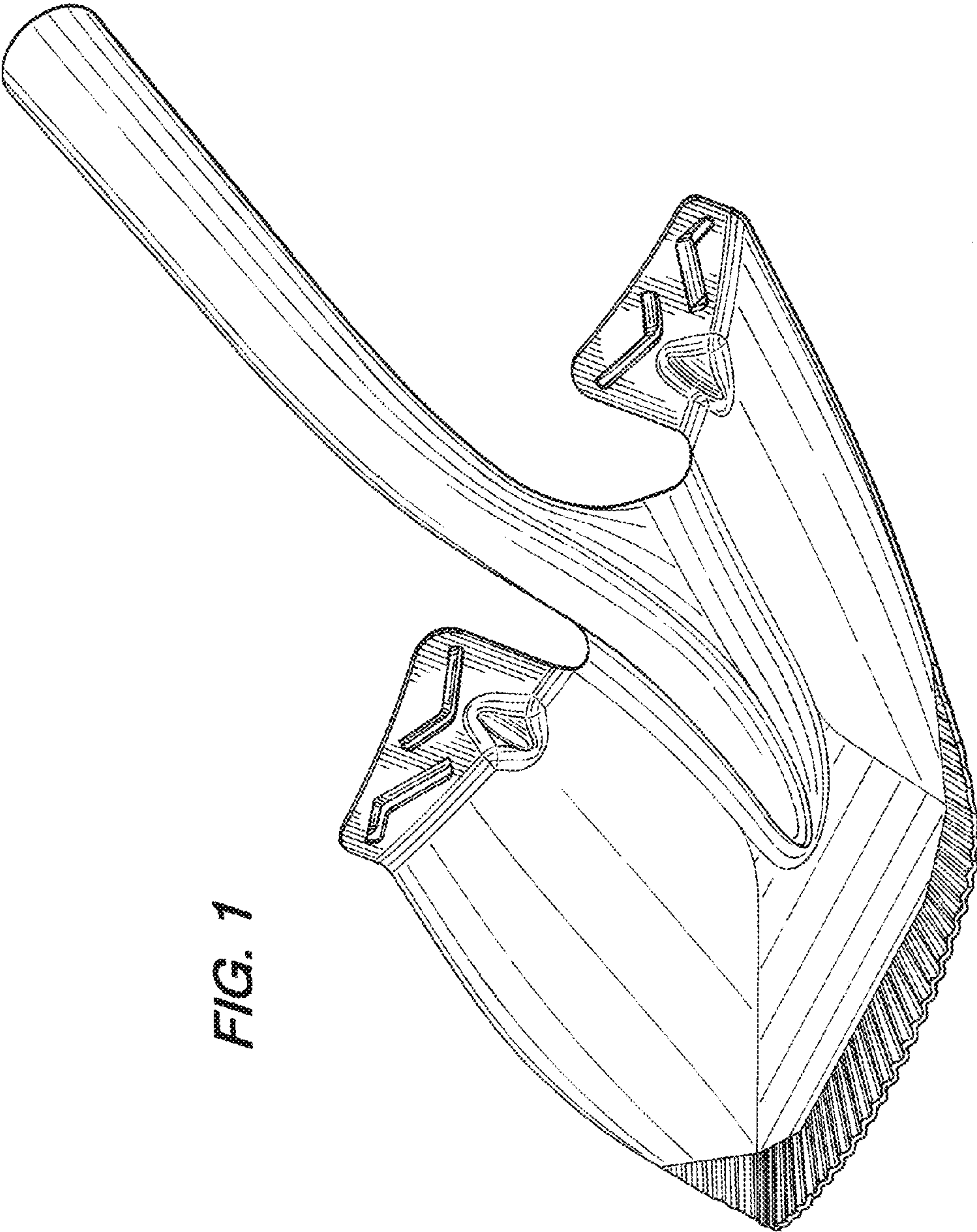


FIG. 1

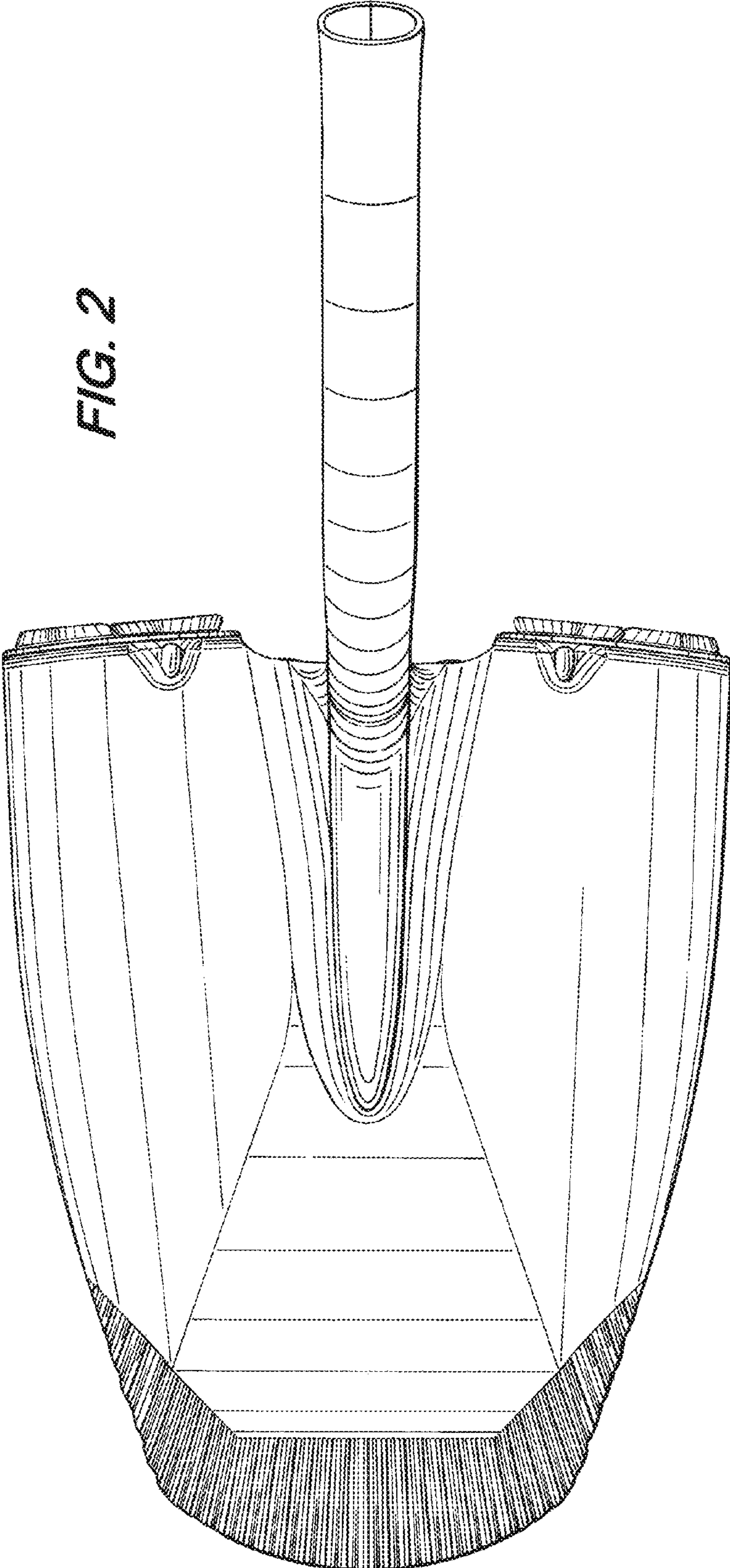


FIG. 2

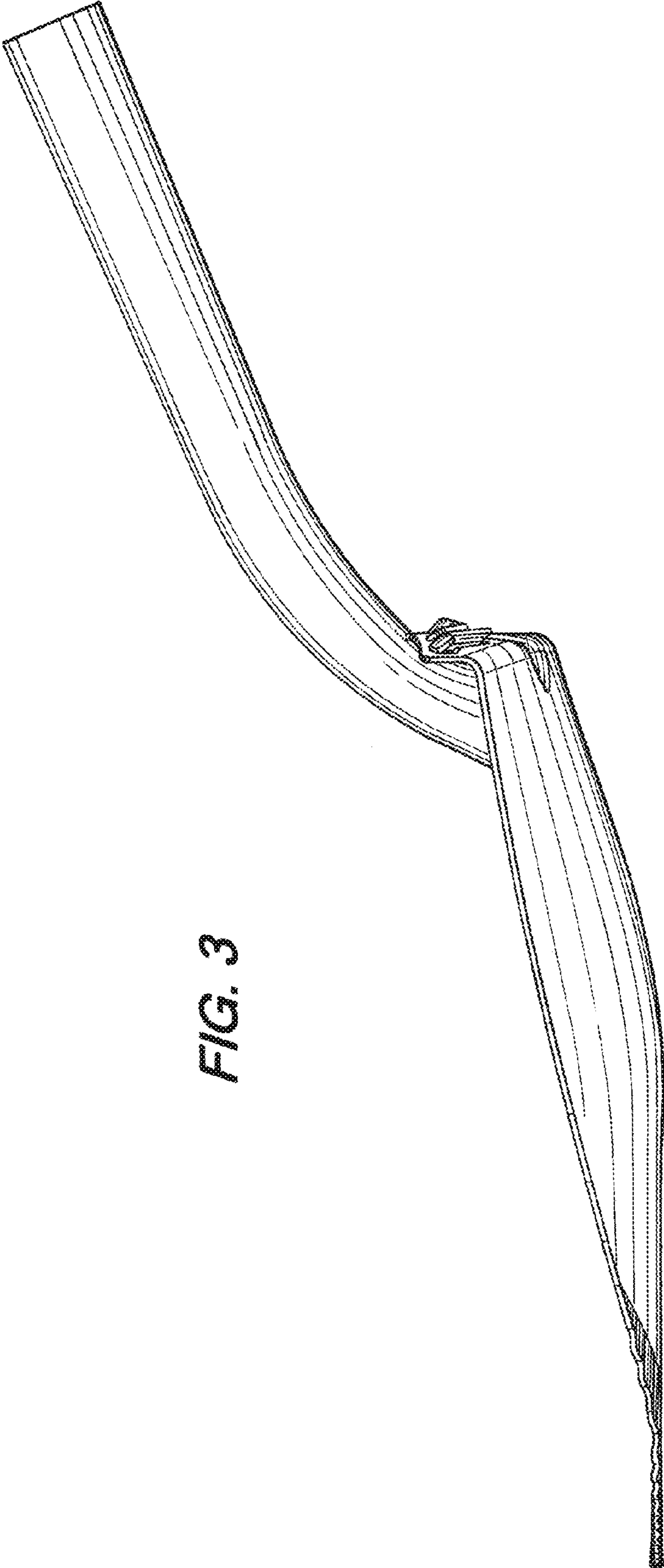


FIG. 3

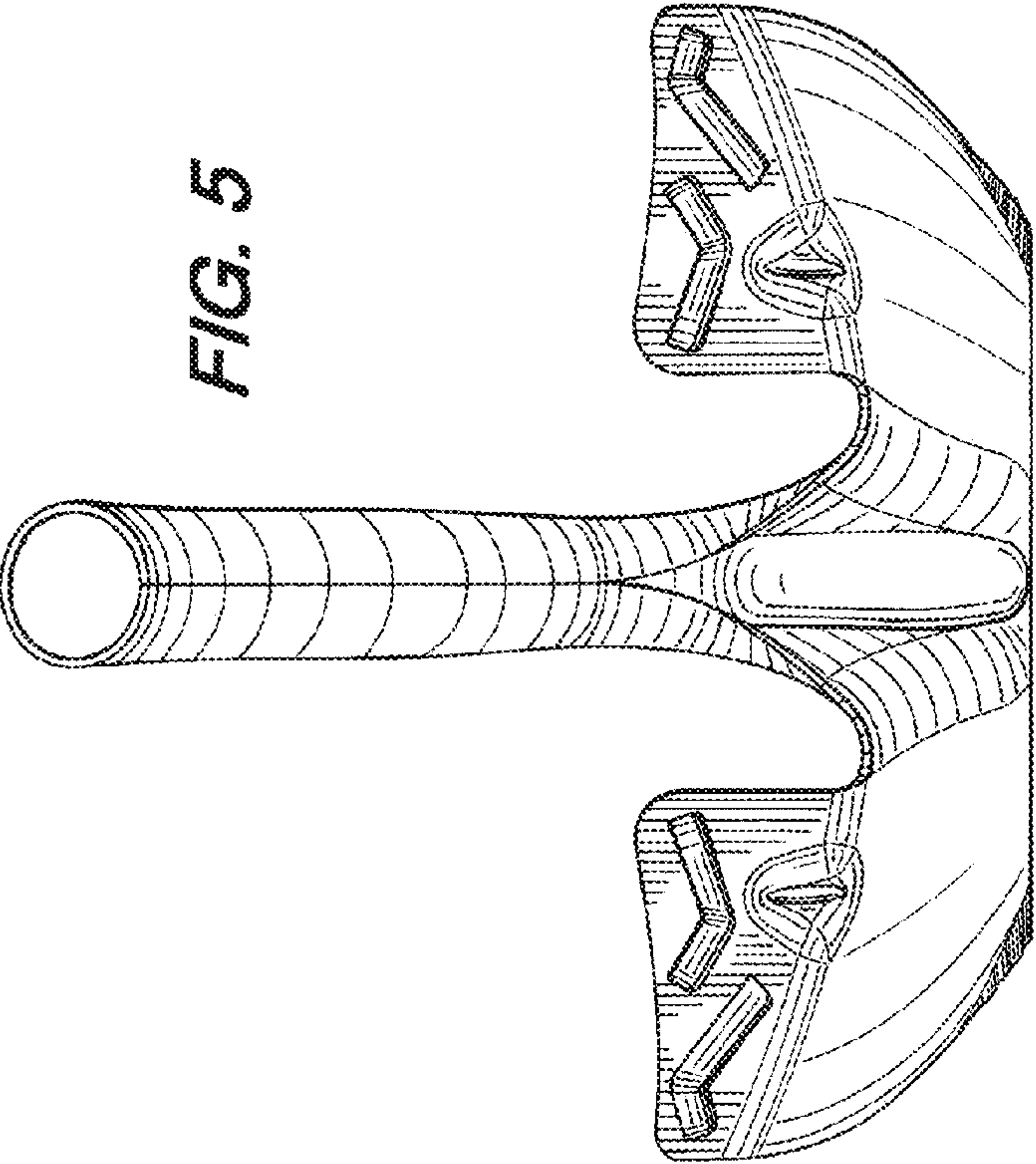
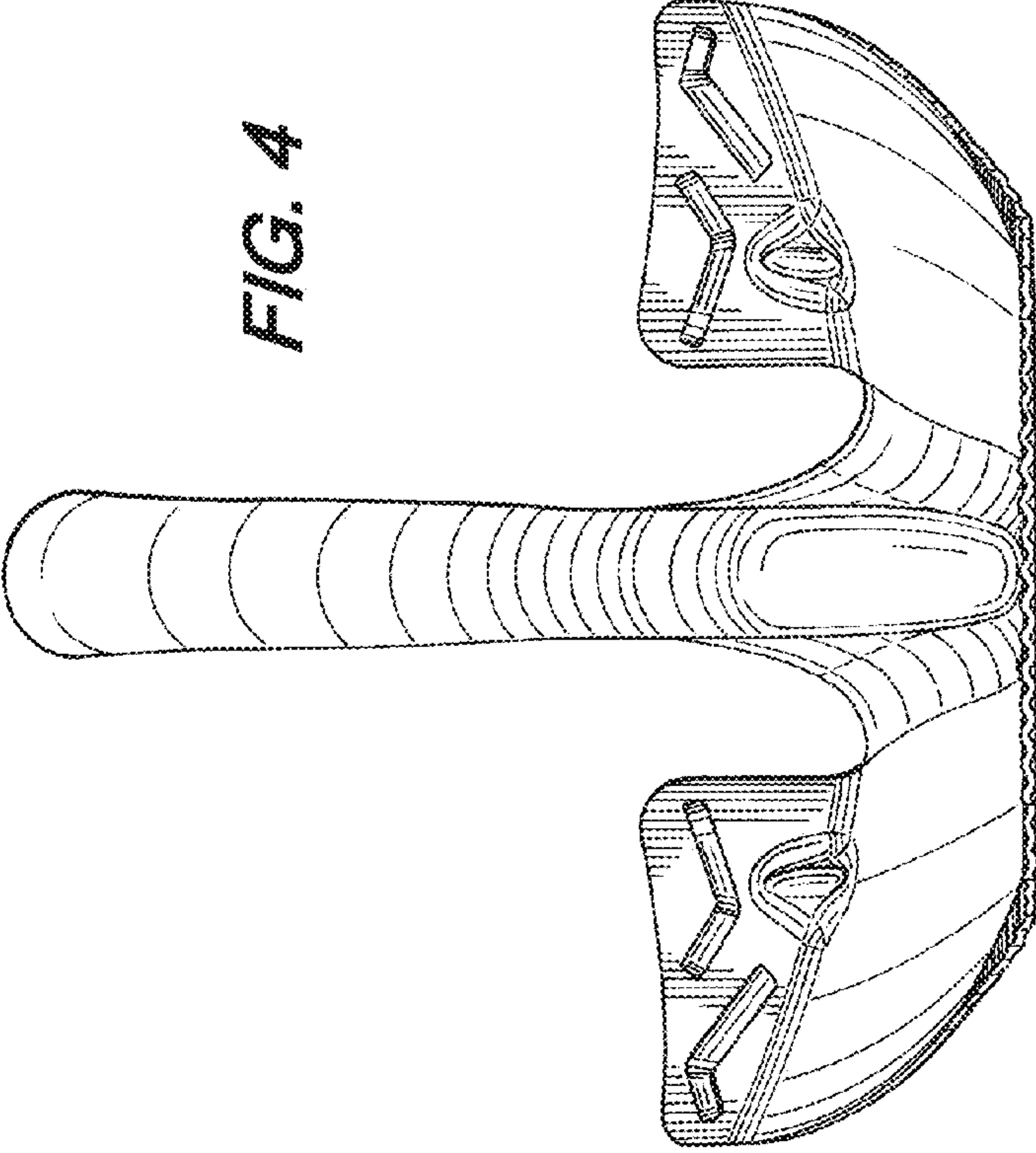


FIG. 6

