



US00D688538S

(12) **United States Design Patent**
Nguyen et al.

(10) **Patent No.:** **US D688,538 S**

(45) **Date of Patent:** **** Aug. 27, 2013**

(54) **PORTABLE FOOD AND BEVERAGE HOLDER**

(75) Inventors: **Huy Kha Nguyen**, Anaheim, CA (US);
Gary Stanley Seehoff, Encino, CA (US)

(73) Assignee: **Evrholder Products, LLC**, Anaheim,
CA (US)

(**) Term: **14 Years**

(21) Appl. No.: **29/388,268**

(22) Filed: **Mar. 26, 2011**

(51) **LOC (9) Cl.** **11-02**

(52) **U.S. Cl.**
USPC **D7/709**

(58) **Field of Classification Search**
USPC D7/509-511, 312-322, 601, 602,
D7/605, 608, 619.1, 622, 709, 710, 629;
D9/428, 429; D3/201, 273, 274, 202; 206/216,
206/217, 223, 541, 545, 549; 215/6, 12.1,
215/12.2, 13.1, 396, 398; 220/4.21, 4.22,
220/4.23, 4.24, 592.16, 592.17, 592.2, 592.21,
220/592.27

See application file for complete search history.

(56) **References Cited**

U.S. PATENT DOCUMENTS

2,672,232	A	*	3/1954	Kessell, Jr.	206/543
D236,315	S	*	8/1975	Russo	D7/605
D268,727	S	*	4/1983	Nestrock	D7/608
D306,953	S	*	4/1990	Kase et al.	D7/608
D307,731	S		5/1990	Kerney		
D309,851	S	*	8/1990	Moore	D7/709
D314,888	S	*	2/1991	Mano et al.	D7/608
D325,494	S	*	4/1992	Gentry	D7/608
D353,749	S	*	12/1994	Rozmiarek	D7/709
D360,113	S	*	7/1995	Takahashi	D7/608
D378,652	S	*	4/1997	Yamanaka et al.	D7/608
D429,118	S	*	8/2000	Hurlbut	D7/608
D488,960	S	*	4/2004	Wahl et al.	D7/608

D516,877	S	*	3/2006	Schmidt	D7/629
D572,981	S	*	7/2008	Carreno	D7/608
D583,200	S	*	12/2008	Moran	D7/709
D628,018	S	*	11/2010	Gilbert	D7/608
D654,334	S	*	2/2012	Gispert	D7/709
D656,364	S	*	3/2012	Gilbert	D7/608
D670,137	S	*	11/2012	Gilbert	D7/608

OTHER PUBLICATIONS

“Class Pays,” Peterbilt Motors Company, Denton, Texas, Sep. 1997, 10-page brochure.

“Class Pays, Medium Duty,” Peterbilt Motors Company, Denton, Texas, Sep. 2000, 12-page brochure.

“Model 362,” Peterbilt Motors Company, Newark, California, 1985, 8-page brochure.

(Continued)

Primary Examiner — Elizabeth J Oswecki

(57) **CLAIM**

The ornamental design for a portable food and beverage holder, as shown and described.

DESCRIPTION

FIG. 1 is a top view of a portable food and beverage holder showing our new design;

FIG. 2 is a front view thereof;

FIG. 3 is a left side view thereof;

FIG. 4 is a right side view thereof;

FIG. 5 is a rear view thereof;

FIG. 6 is a bottom view thereof;

FIG. 7 is a cross sectional view thereof, taken along line 7-7 of FIG. 1;

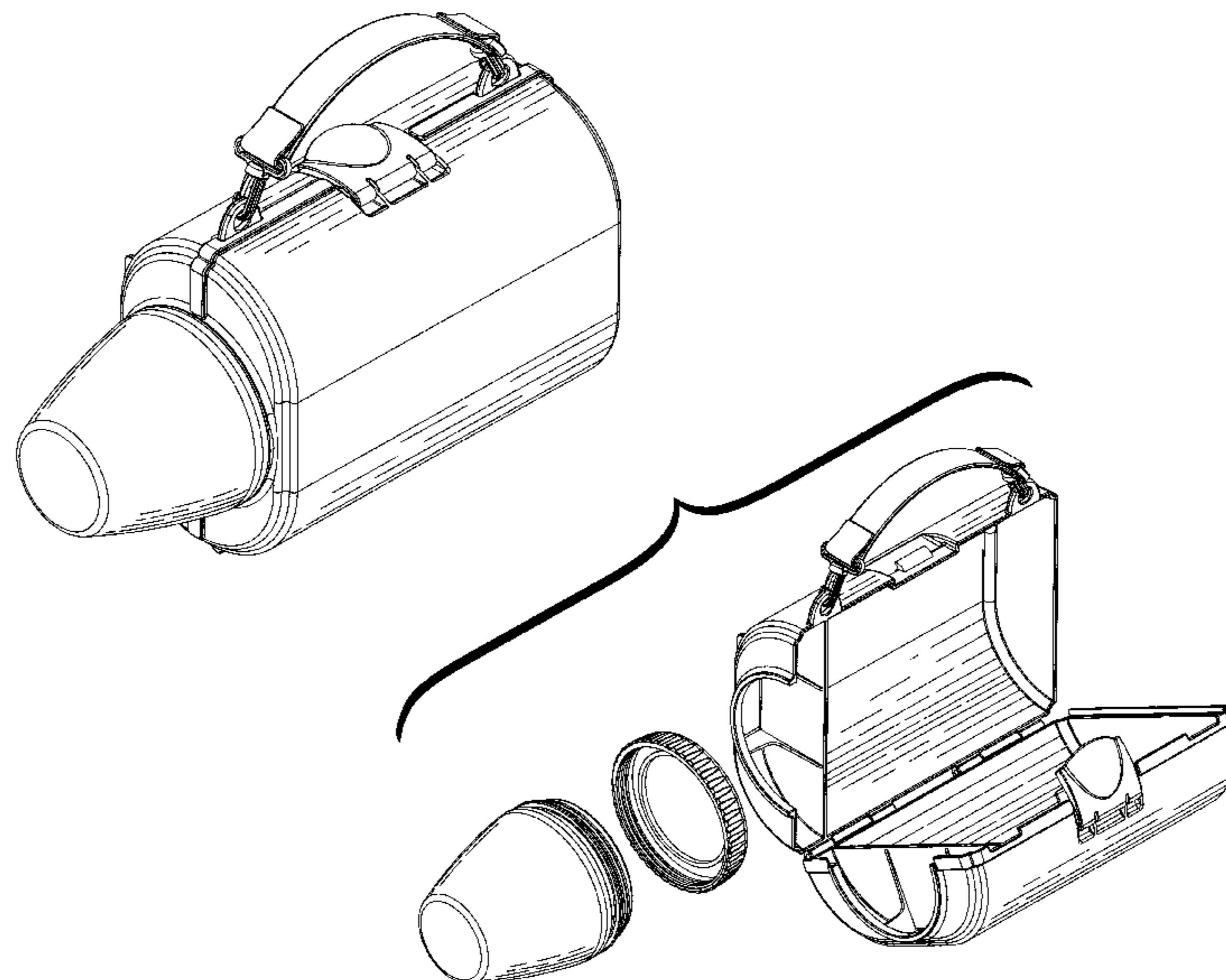
FIG. 8 is a front perspective view thereof;

FIG. 9 is a rear perspective view thereof; and,

FIG. 10 is an exploded view thereof.

The broken lines shown in the drawings represent portions of the portable food and beverage holder that form no part of the claimed design.

1 Claim, 10 Drawing Sheets



(56)

References Cited

OTHER PUBLICATIONS

“Model 378,” Peterbilt Motors Company, Denton, Texas, Mar. 1998,
3-page brochure.

“7600A,” Kenworth Truck Company, Kirkland, Washington, 1985,
10-page brochure.

“W900L Aero Cab,” Kenworth Truck Company, Kirkland, Wash-
ington, 1994, 2-page brochure.

* cited by examiner

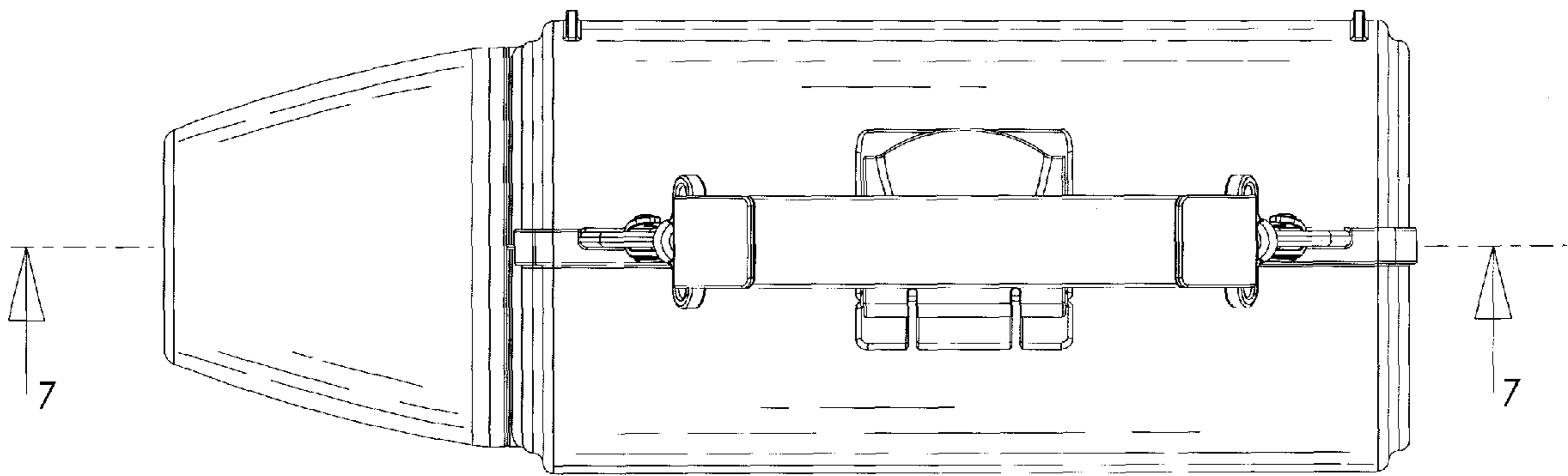


FIG 1

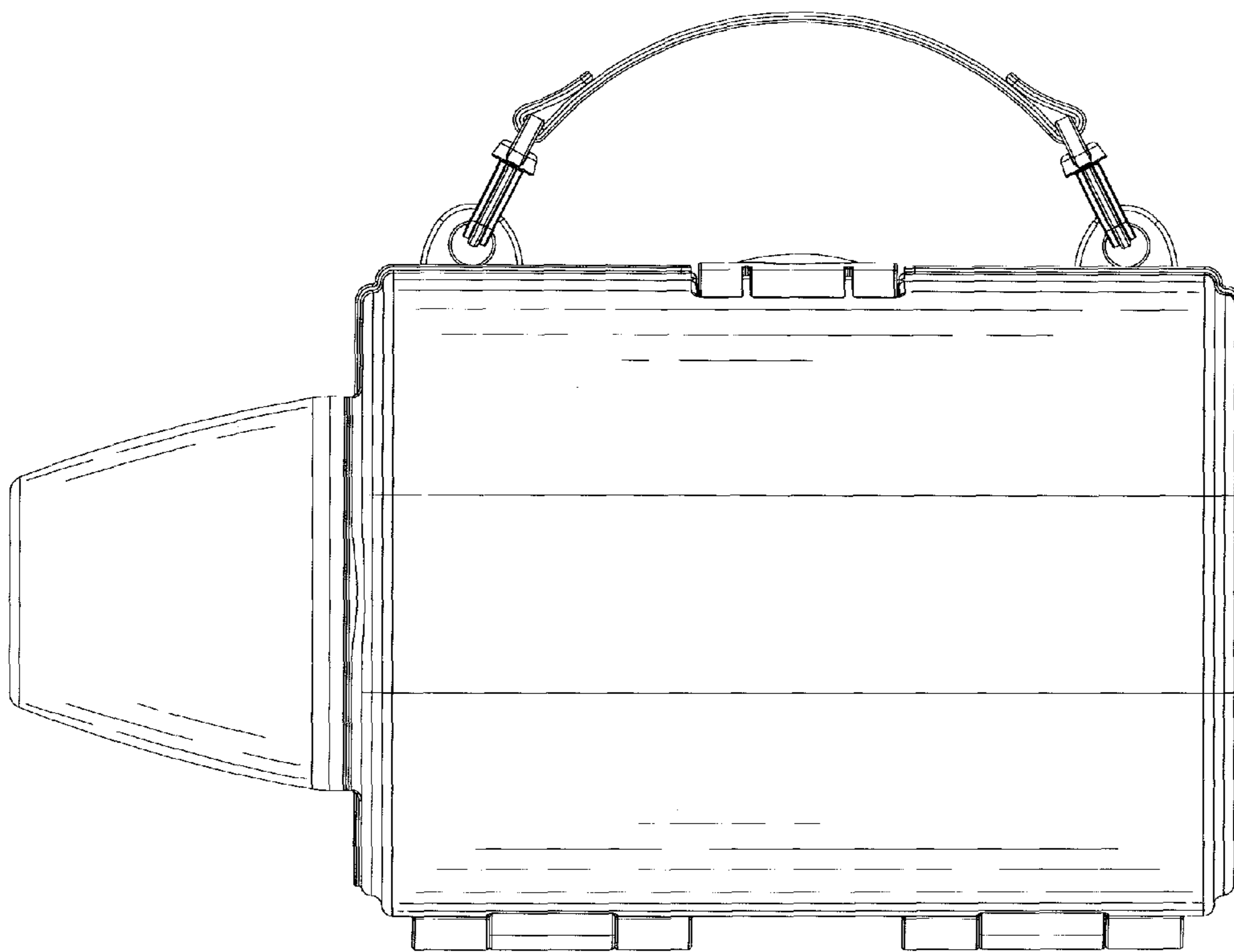


FIG 2

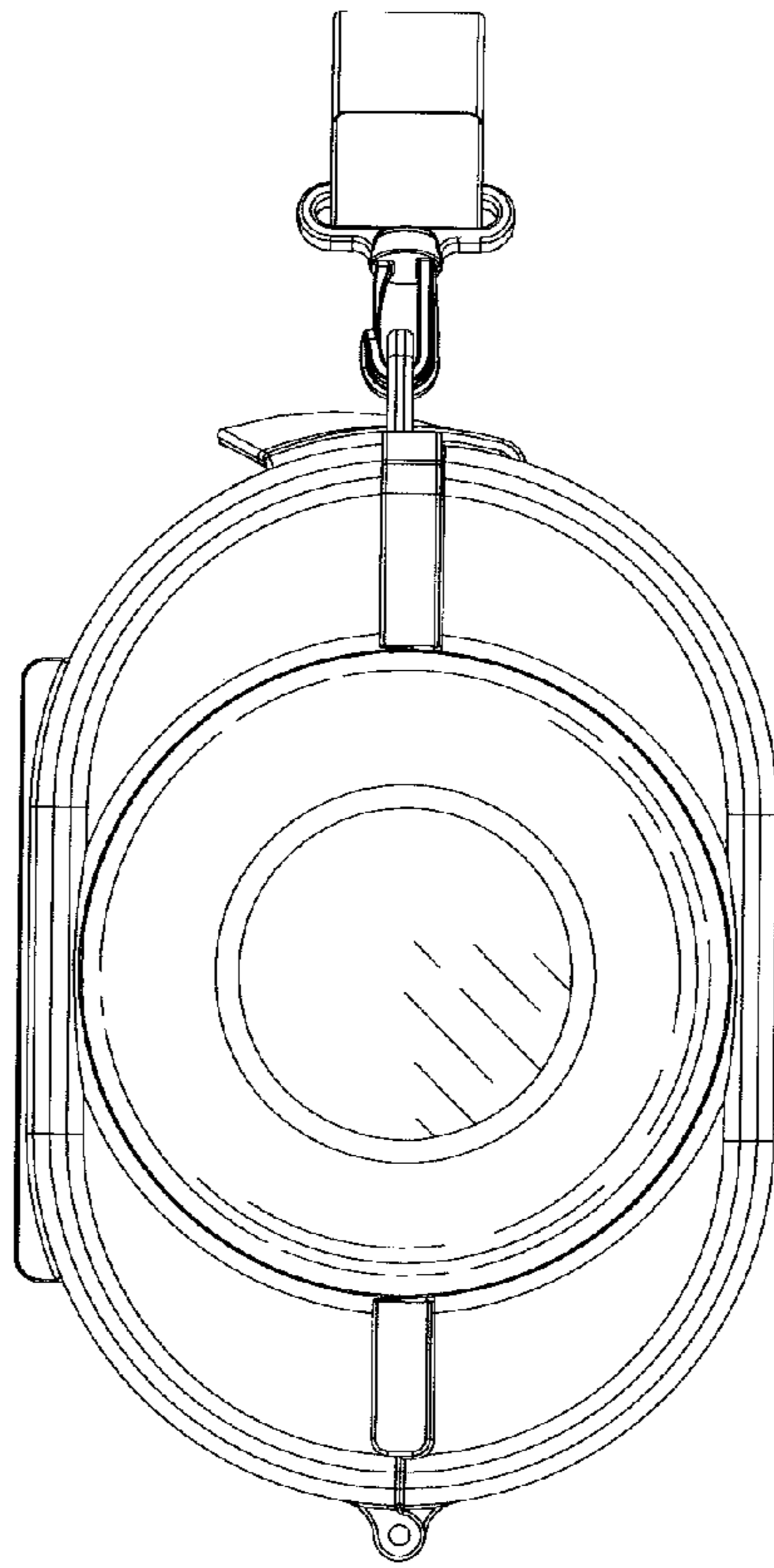


FIG 3

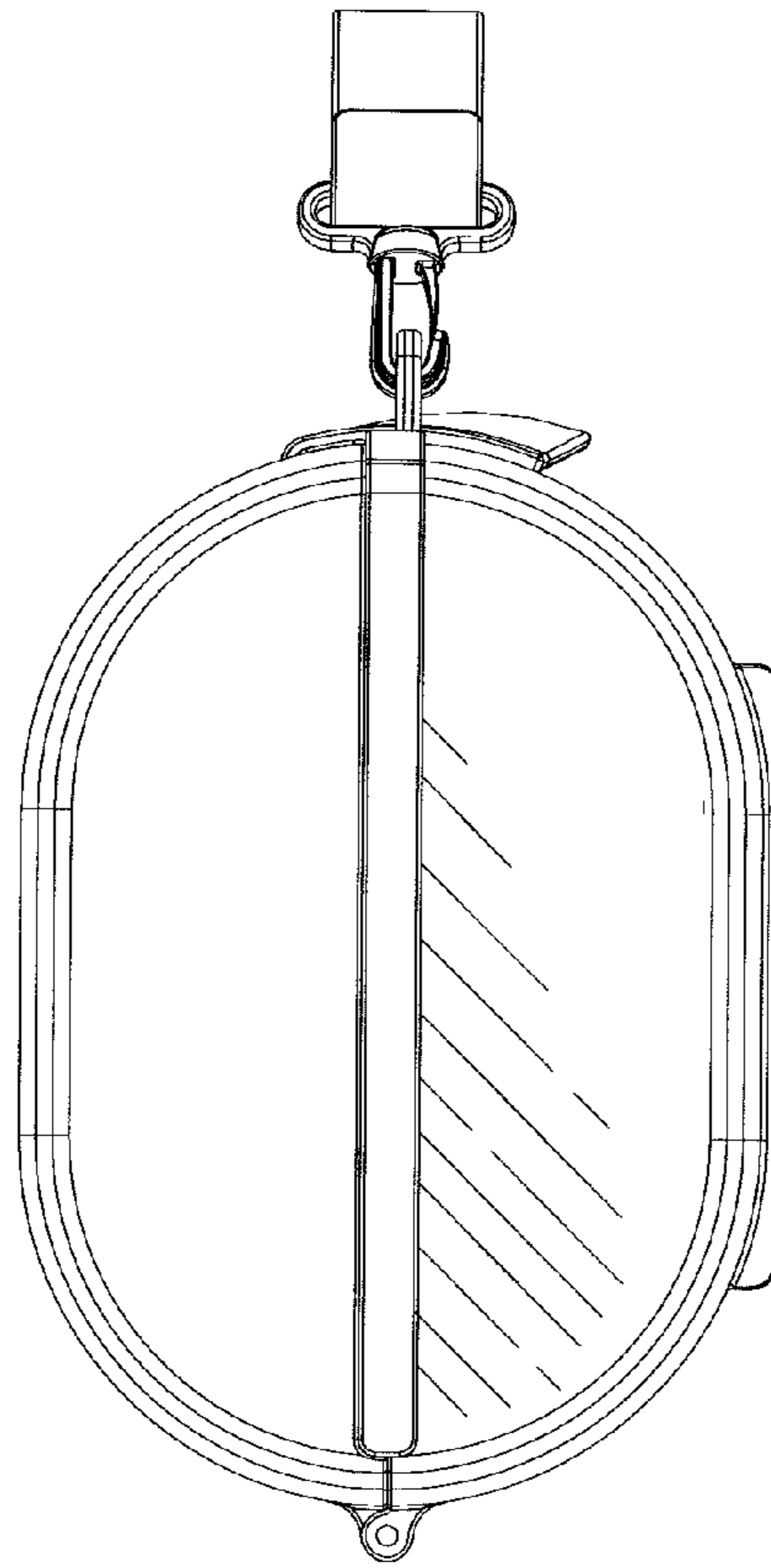


FIG 4

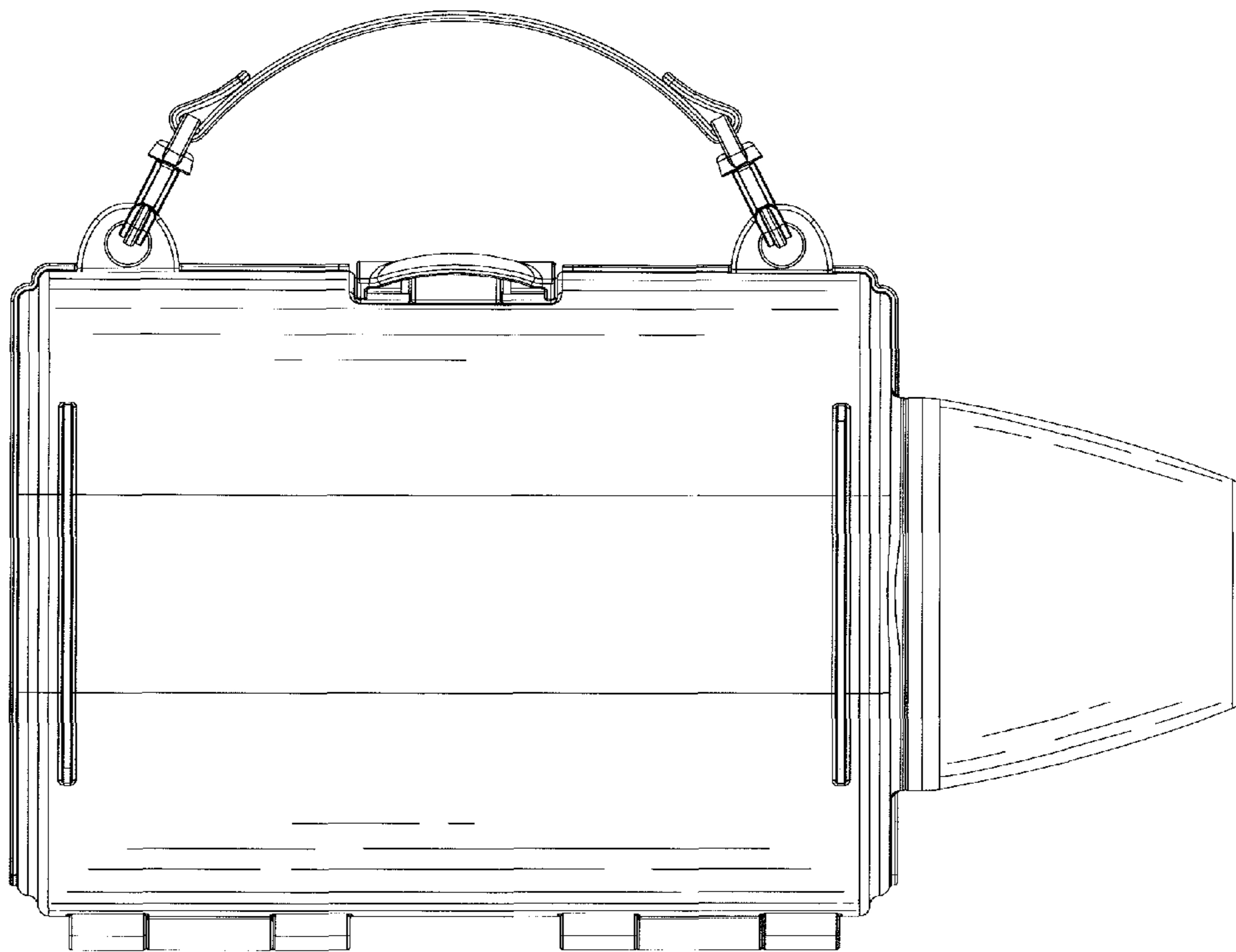


FIG 5

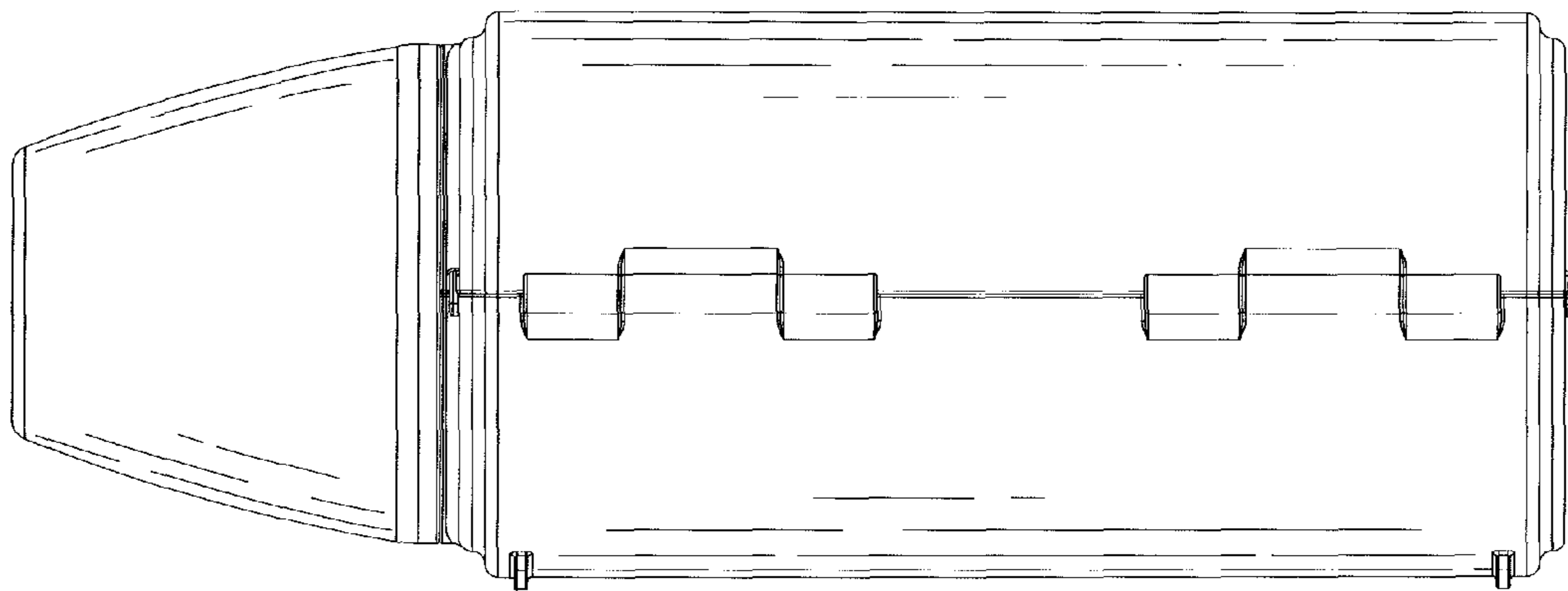


FIG 6

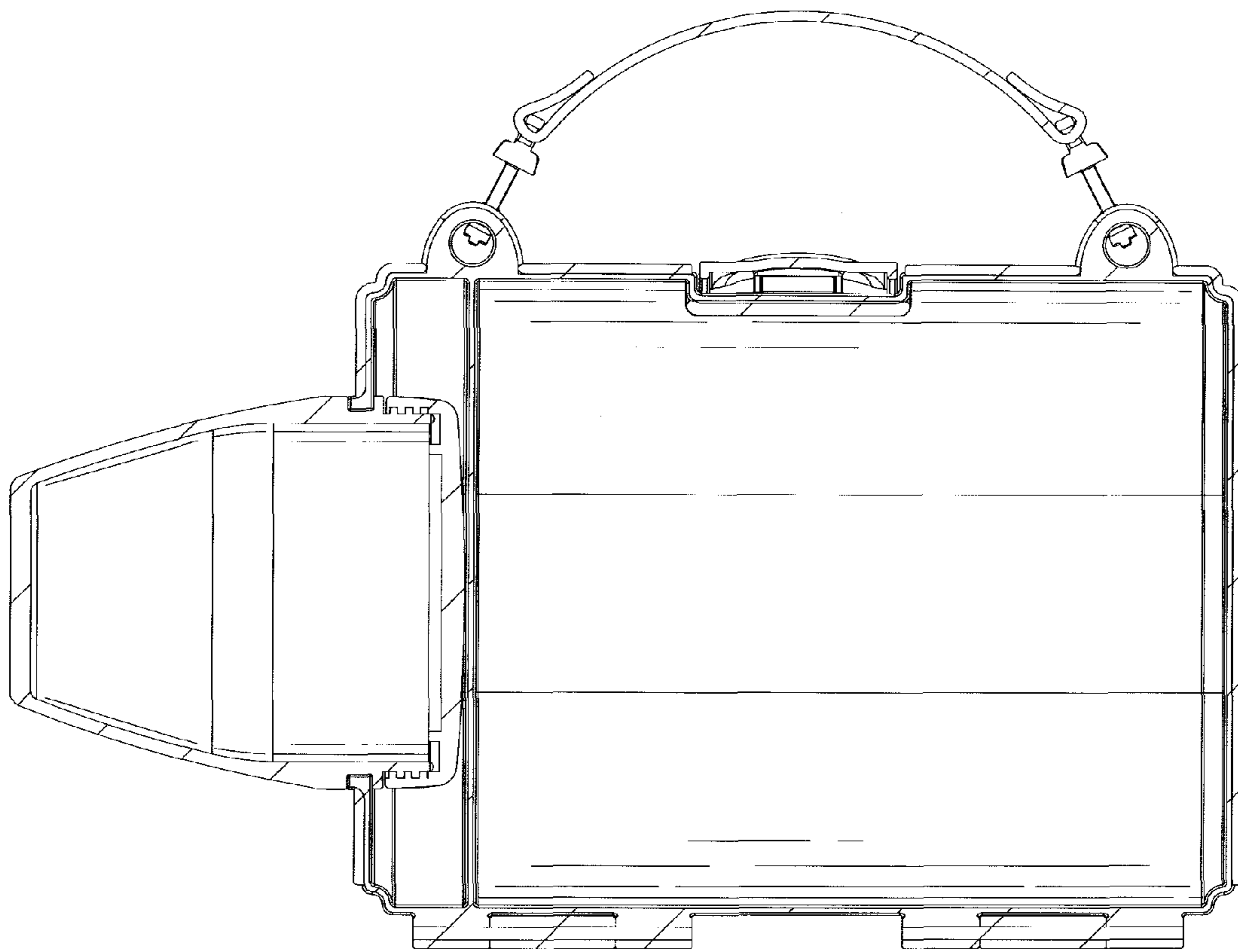


FIG 7

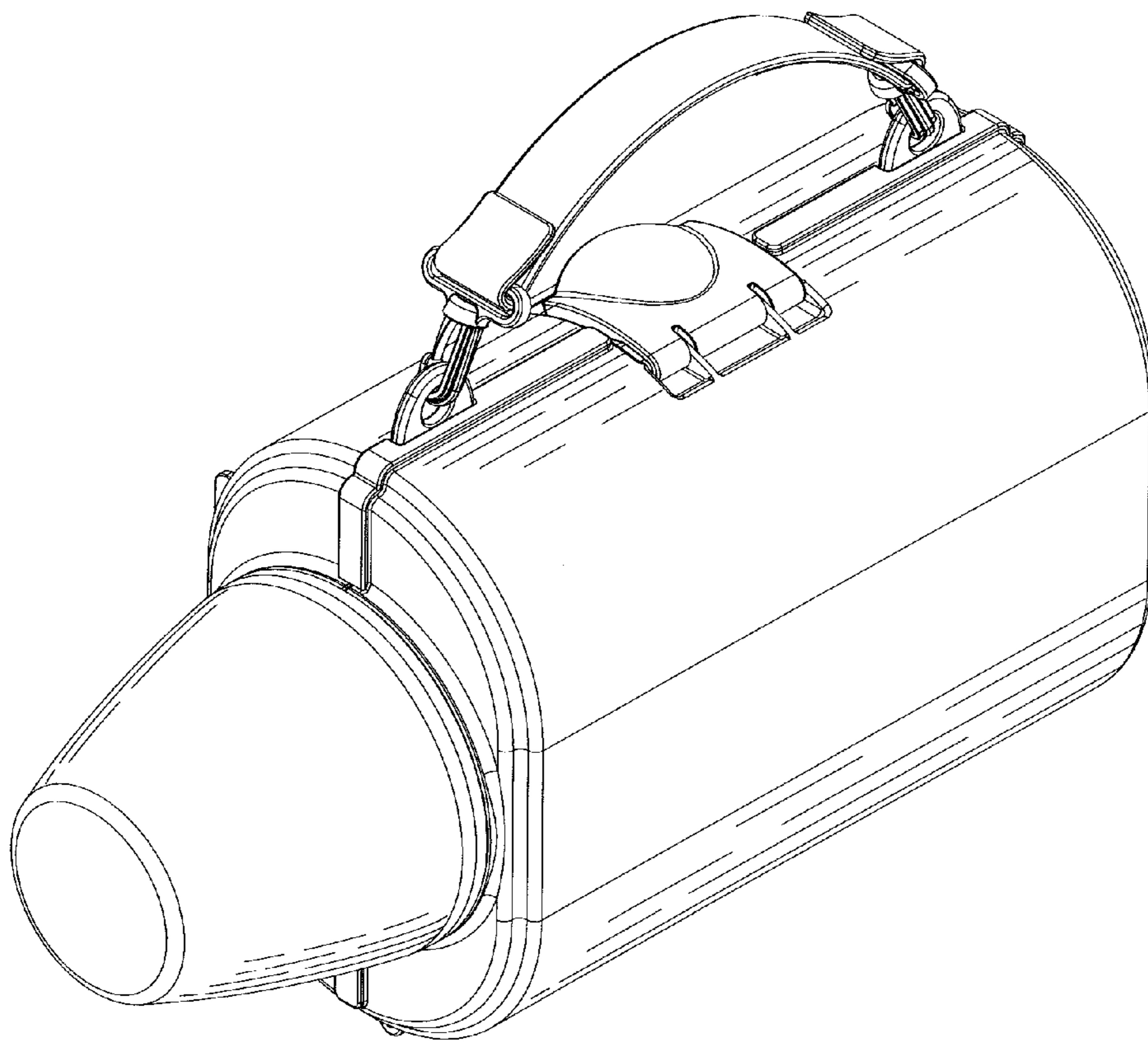


FIG 8

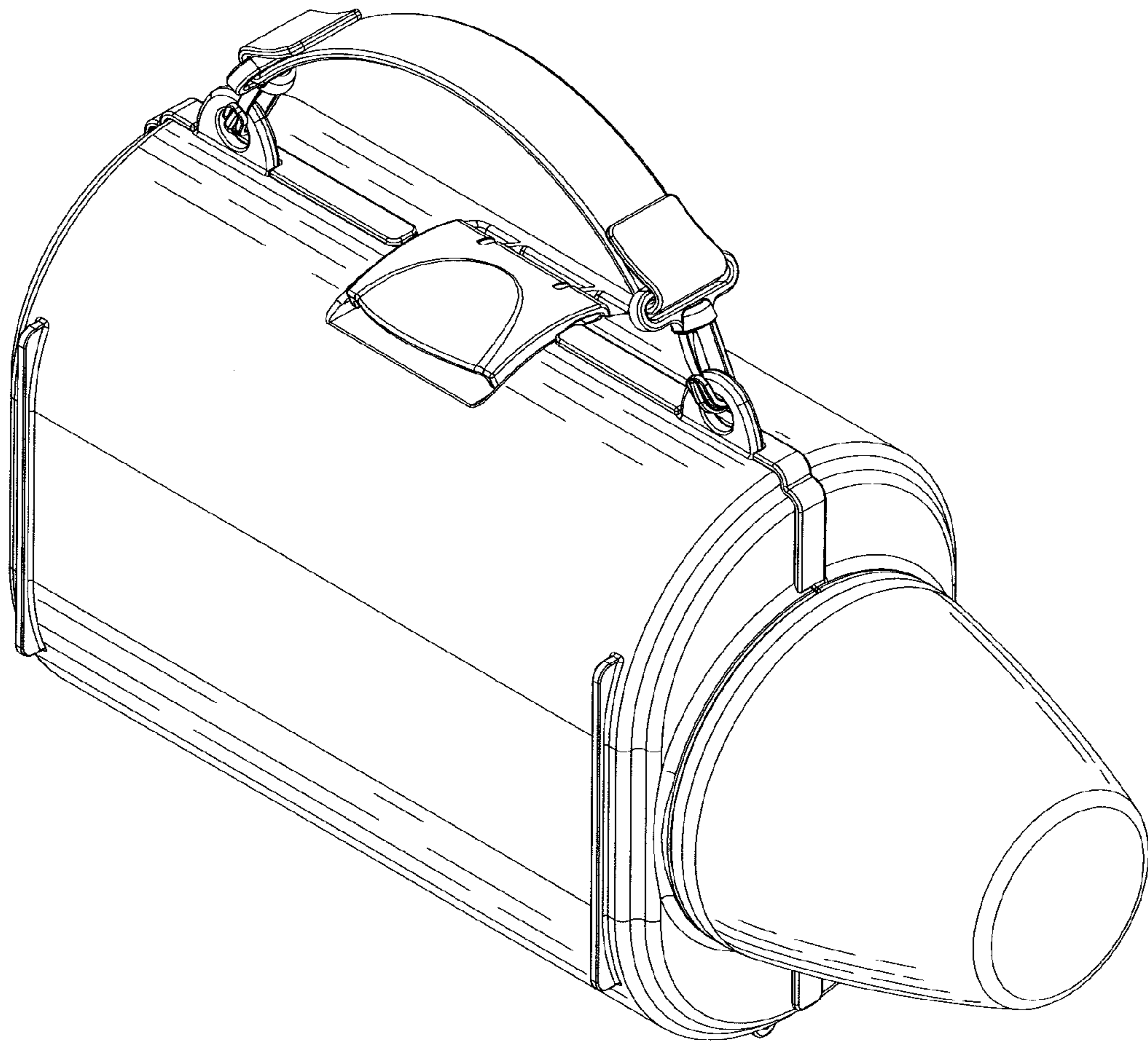


FIG 9

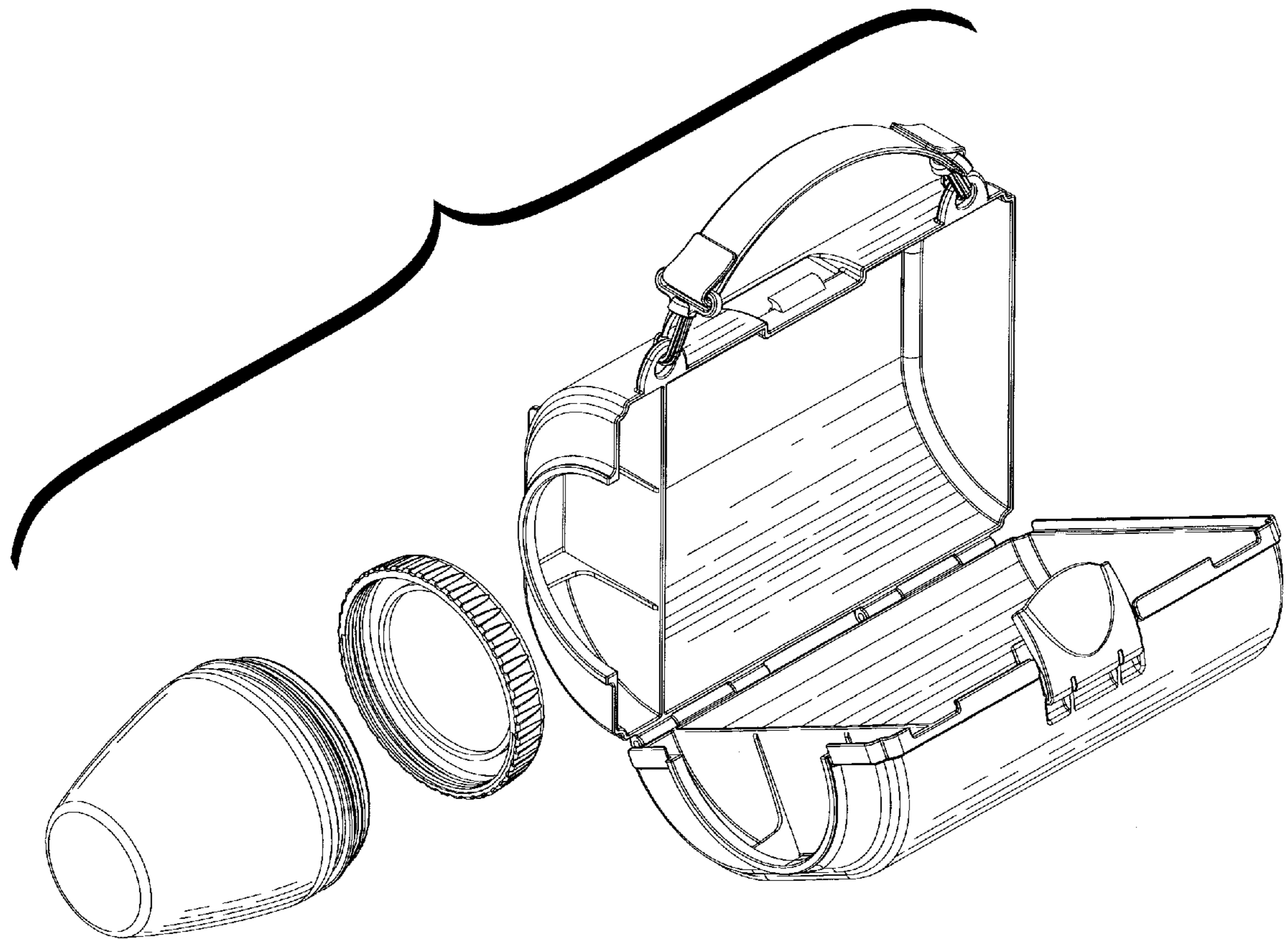


FIG 10