



US00D688537S

(12) **United States Design Patent**  
**Napoli**

(10) **Patent No.:** **US D688,537 S**

(45) **Date of Patent:** **\*\* Aug. 27, 2013**

(54) **CUP HOLDER WITH STRAPS**

(76) Inventor: **Tom Napoli**, San Diego, CA (US)

(\*\*) Term: **14 Years**

(21) Appl. No.: **29/412,022**

(22) Filed: **Jan. 29, 2012**

(51) **LOC (9) Cl.** ..... **07-99**

(52) **U.S. Cl.**  
USPC ..... **D7/701**

(58) **Field of Classification Search**  
USPC ..... D7/701-707; D3/202, 229, 327;  
222/132, 130, 465.1, 481; 206/315.11; 211/74,  
211/60.1, 70.6; 294/154, 149, 147, 160,  
294/143, 31.2, 33; 248/309.1, 311.2; 24/302;  
220/23.4, 23.83, 203.23  
See application file for complete search history.

(56) **References Cited**

U.S. PATENT DOCUMENTS

1,778,248	A *	10/1930	Doughty	.....	222/132
2,570,283	A *	10/1951	Stevens	.....	222/132
3,966,102	A *	6/1976	Clark	.....	294/160
4,323,172	A *	4/1982	Lim	.....	222/130
5,823,360	A *	10/1998	Gorosave	.....	211/13.1
6,517,036	B1 *	2/2003	Ramirez, Jr.	.....	248/150
6,783,034	B1 *	8/2004	Brent	.....	222/183

7,328,818	B2 *	2/2008	Prabucki	.....	222/146.6
D581,162	S *	11/2008	Walker et al.	.....	D3/327
2003/0097736	A1 *	5/2003	Blankenship	.....	24/302
2006/0261019	A1 *	11/2006	Chao et al.	.....	211/74
2007/0062602	A1 *	3/2007	Alsberg et al.	.....	141/98
2007/0095999	A1 *	5/2007	Dubois	.....	248/311.2

\* cited by examiner

*Primary Examiner* — Terry Wallace

(74) *Attorney, Agent, or Firm* — Lewis Kohn & Fitzwilliam LLP; Kent M. Walker; Kari Moyer-Henry

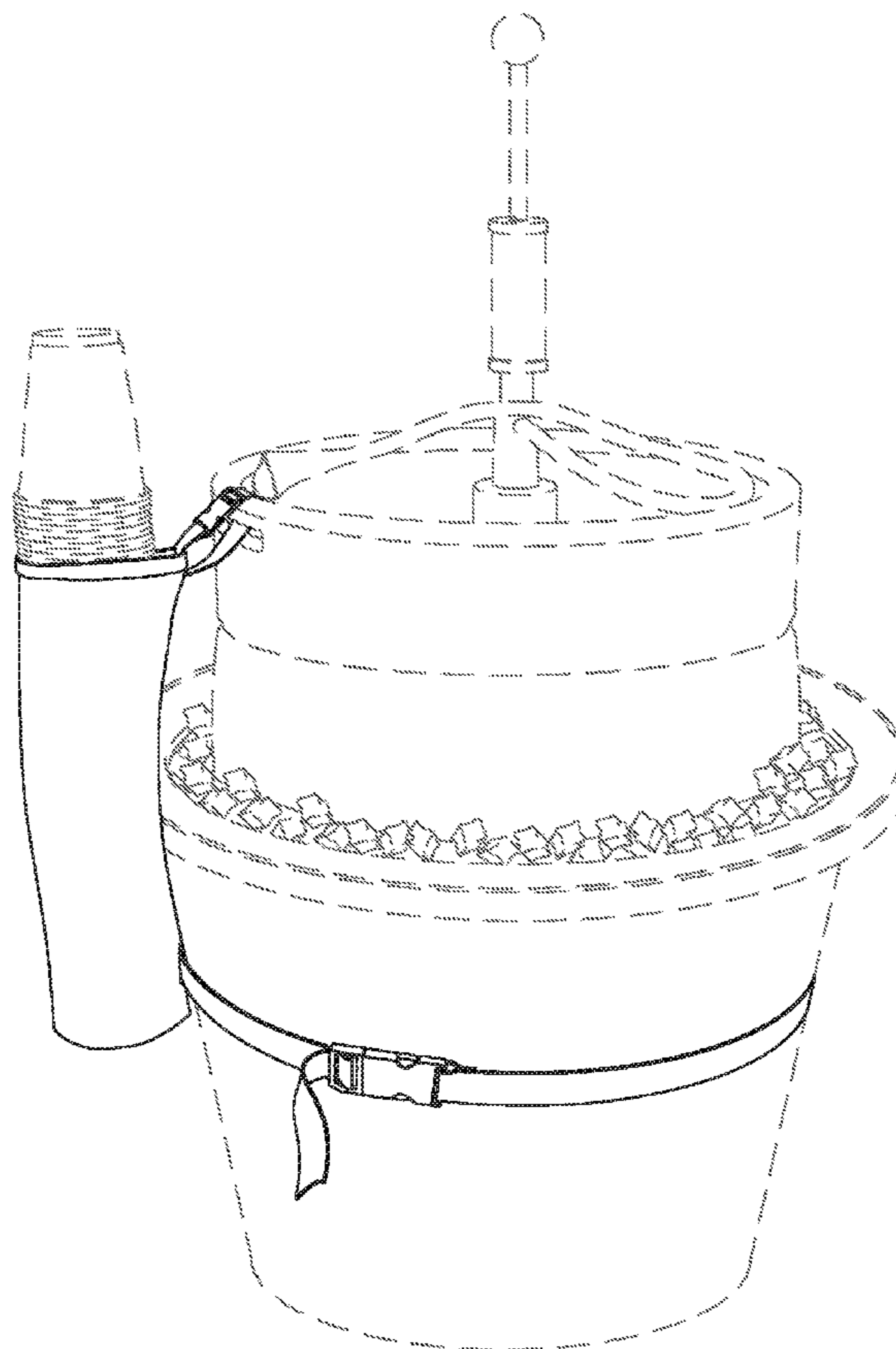
(57) **CLAIM**

I claim the ornamental design for a cup holder with straps, as shown and described.

**DESCRIPTION**

FIG. 1 is a perspective view of my cup holder with straps, showing my new design;  
FIG. 2 is a front elevational view of my new design;  
FIG. 3 is a back elevational view of my new design;  
FIG. 4 is a left side elevational view of my new design,  
FIG. 5 is a right side elevational view of my new design;  
FIG. 6 is a top elevational view of my new design; and,  
FIG. 7 is a bottom elevational view of my new design.  
Any broken line illustration of environmental structure in the drawings is not part of the design sought to be patented.

**1 Claim, 4 Drawing Sheets**



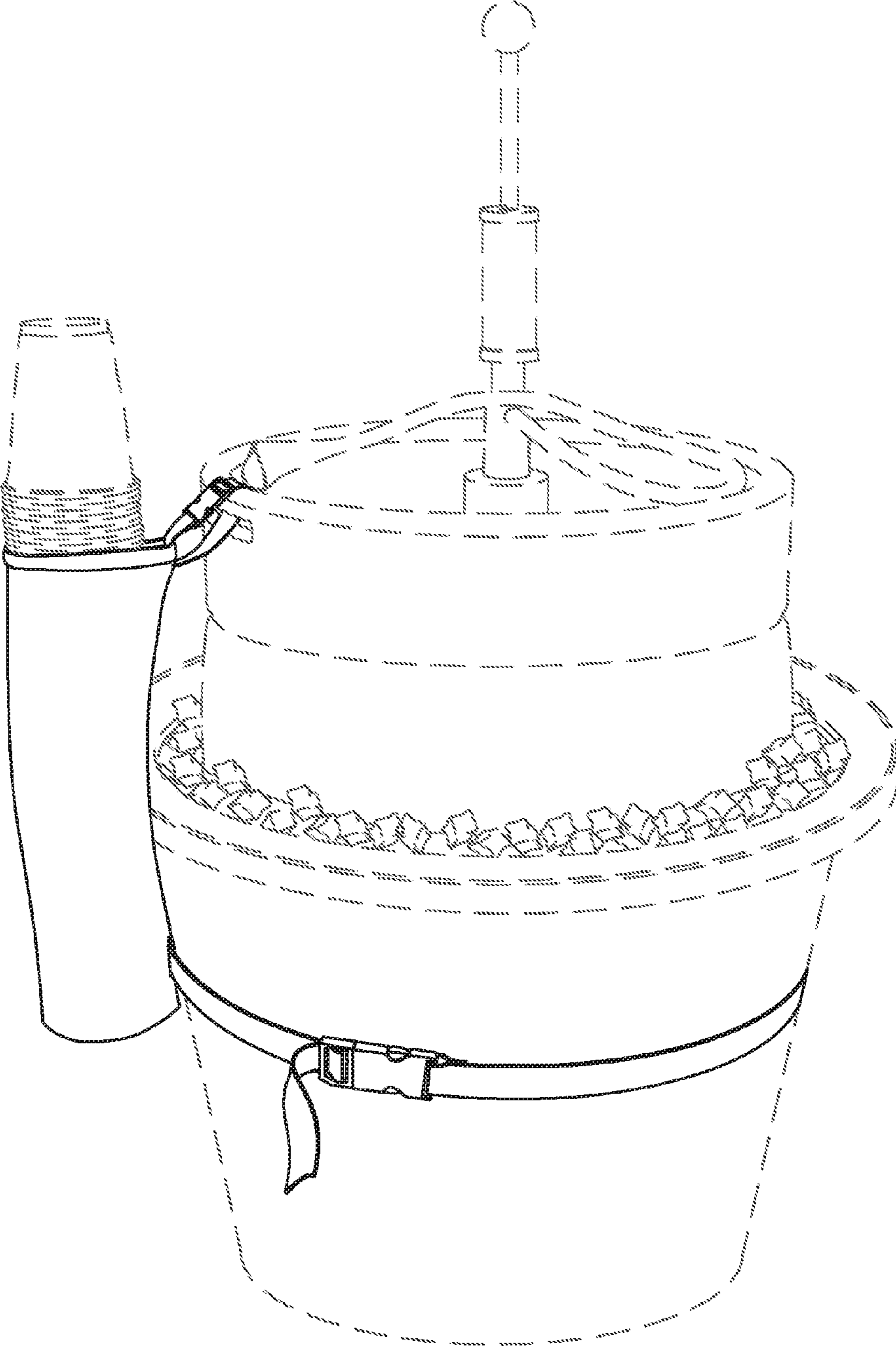
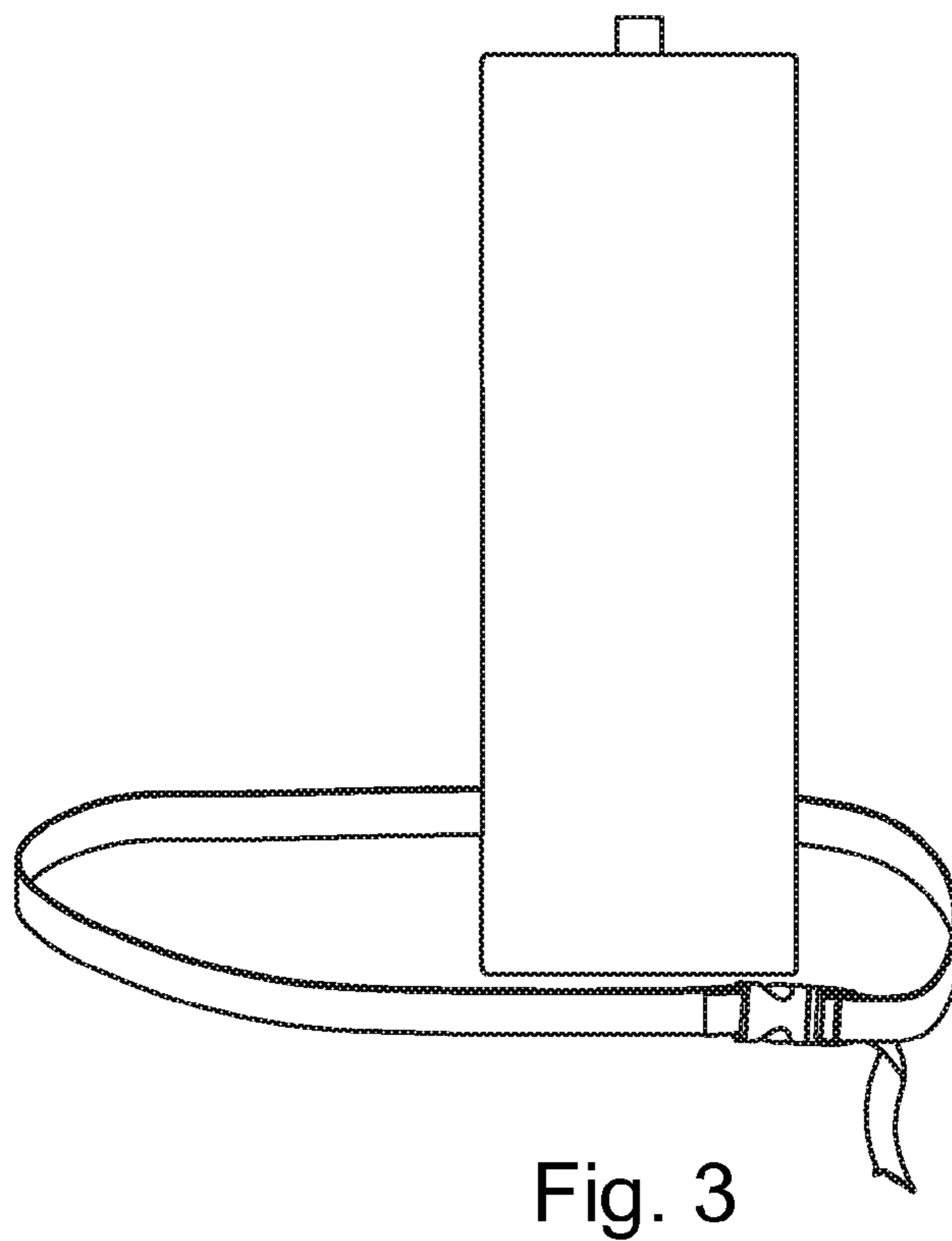
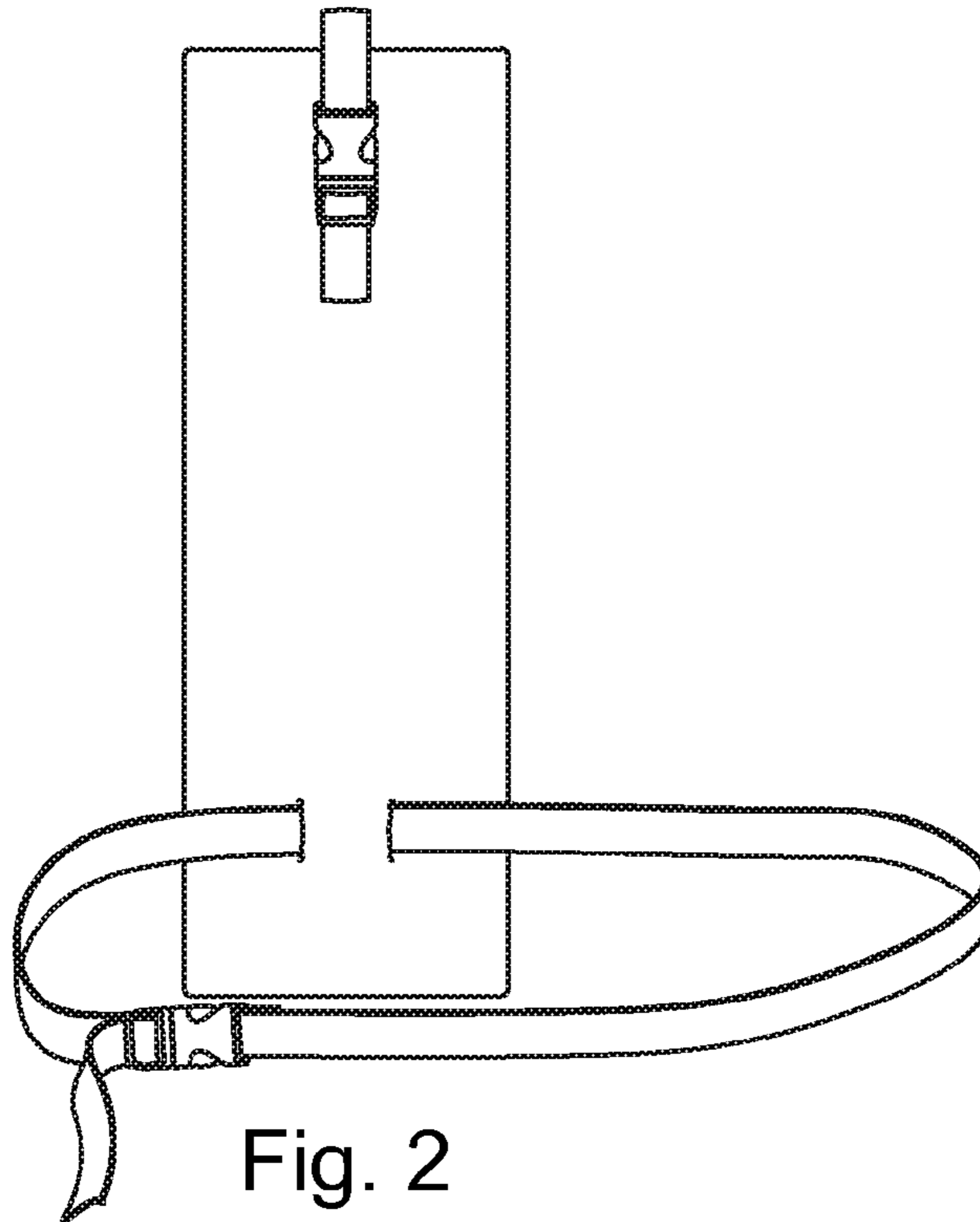


Fig. 1



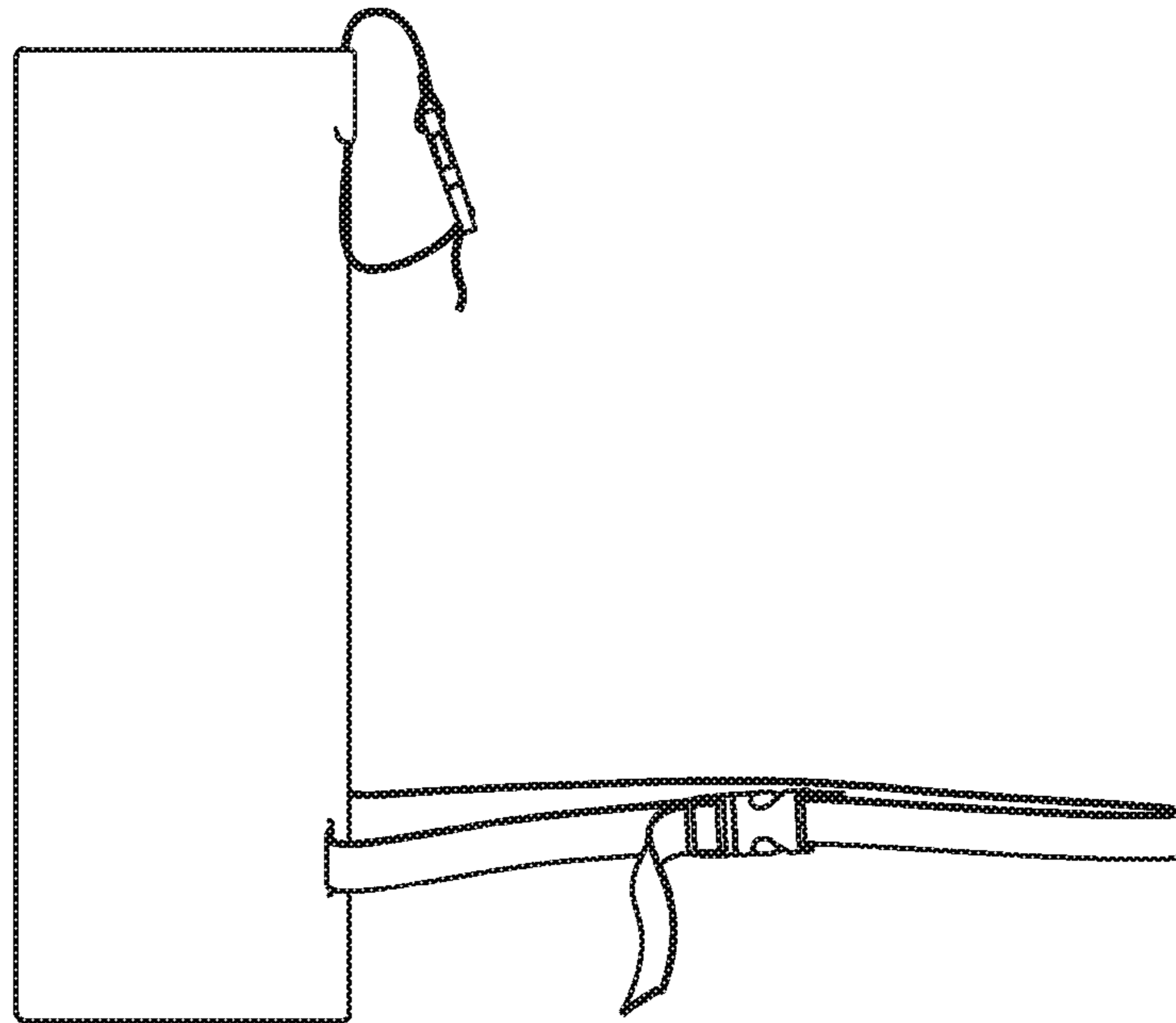


Fig. 4

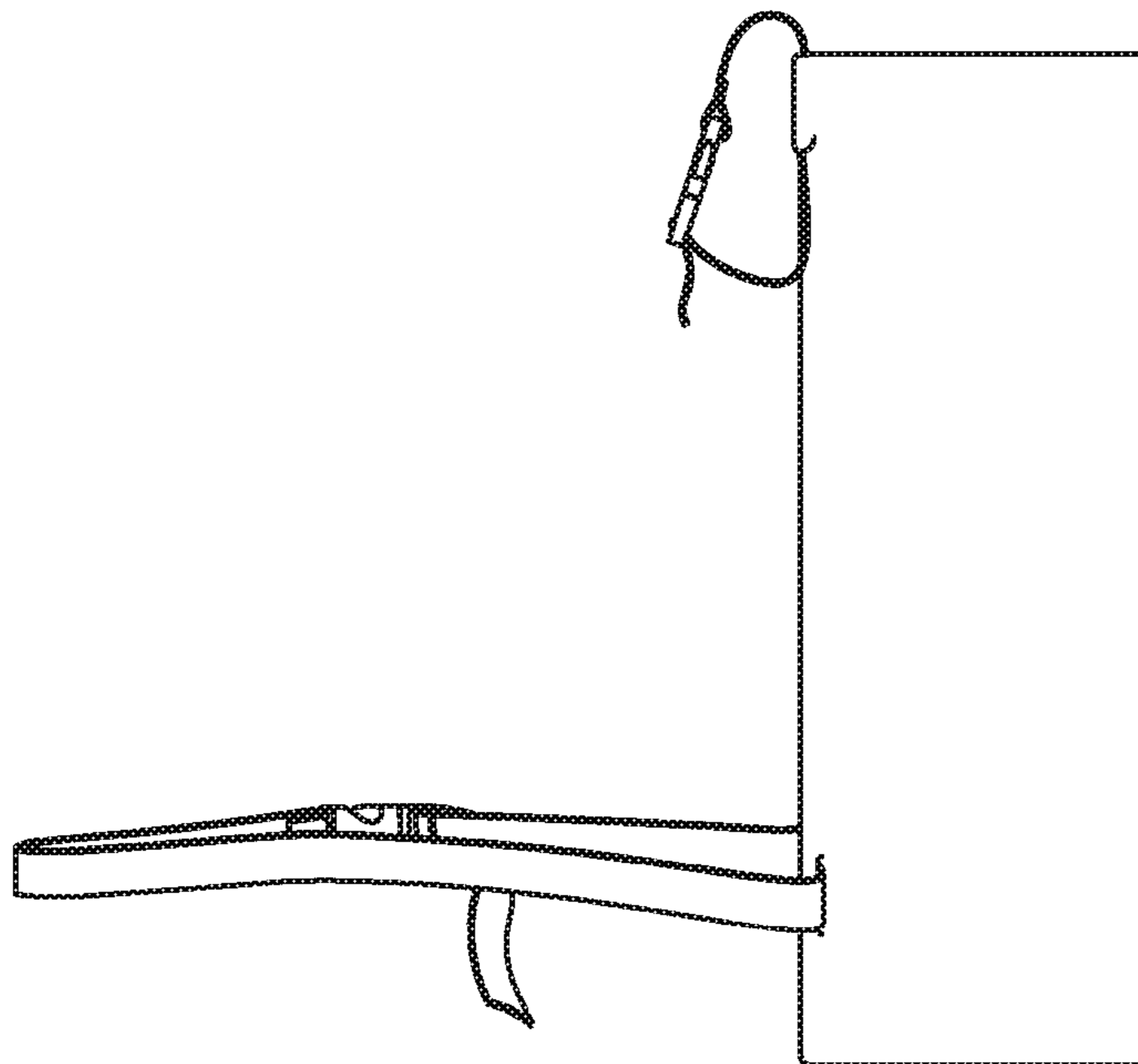


Fig. 5

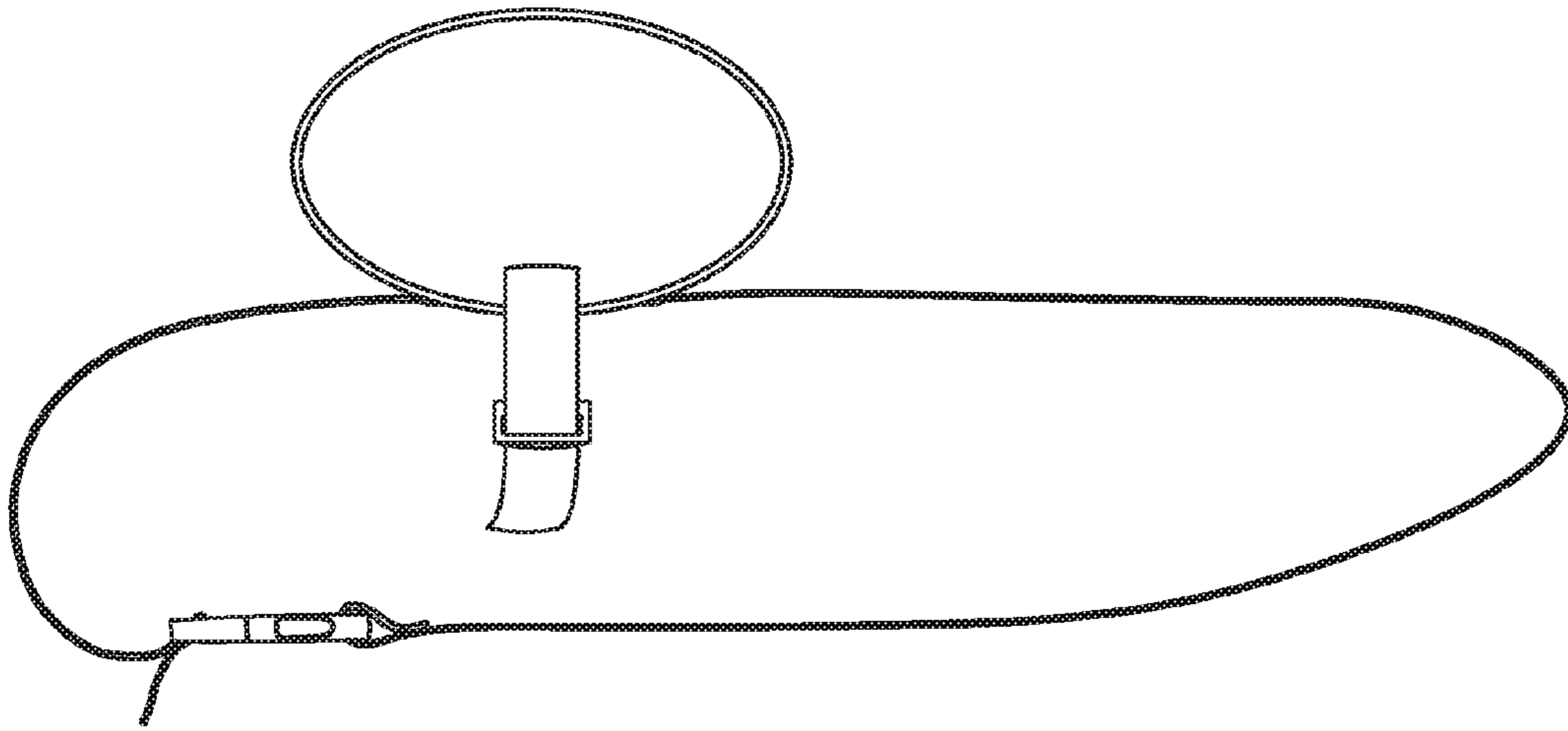


Fig. 6

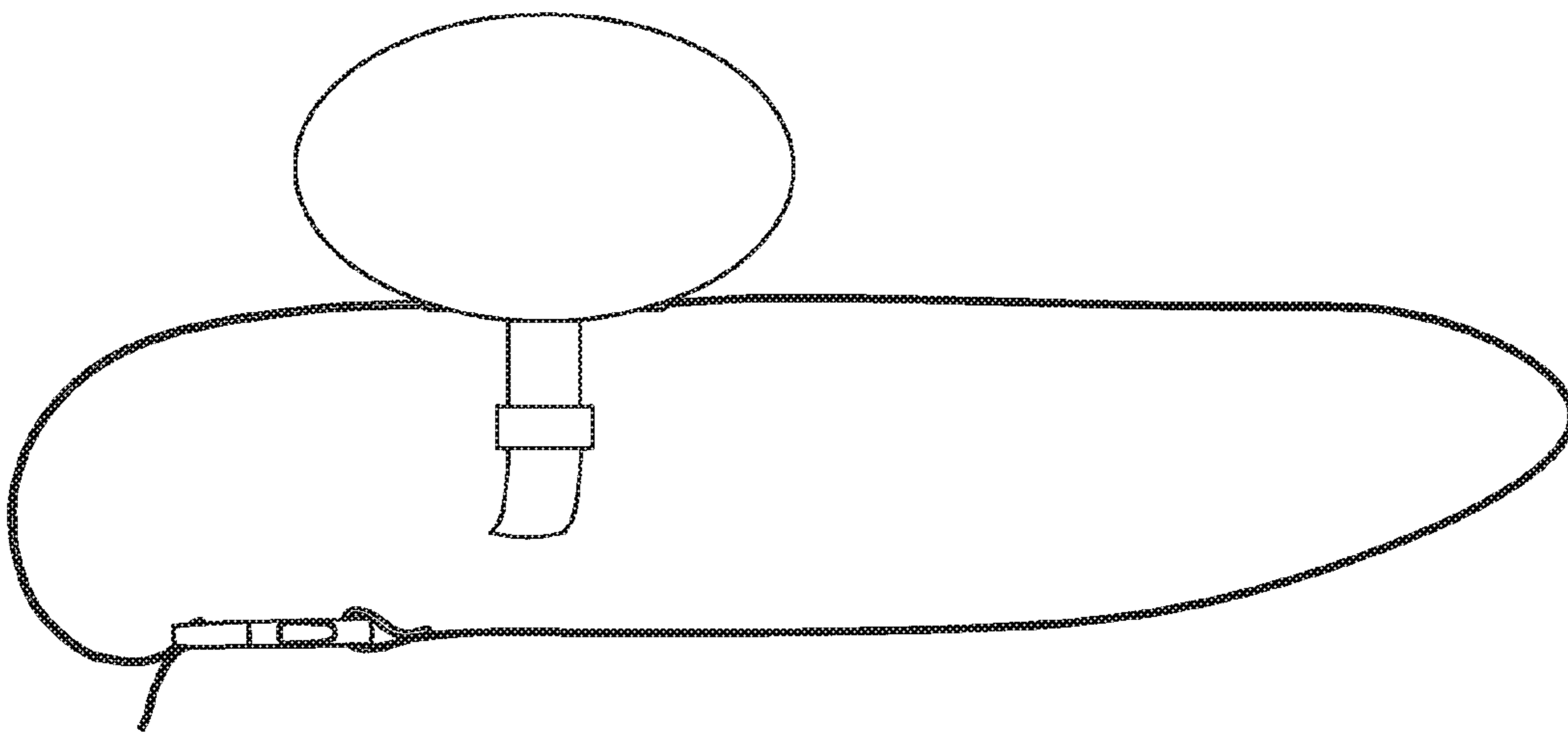


Fig. 7