



US00D688535S

(12) **United States Design Patent**
Gentry et al.

(10) **Patent No.:** **US D688,535 S**

(45) **Date of Patent:** **** Aug. 27, 2013**

(54) **FOOD SKEWER**

(75) Inventors: **Todd R. Gentry**, Winfield, KS (US);
Shawn M. Reniker, Winfield, KS (US)

(73) Assignee: **Smith's Consumer Products, Inc.**, Hot Springs, AR (US)

(**) Term: **14 Years**

(21) Appl. No.: **29/395,648**

(22) Filed: **Mar. 5, 2012**

(51) **LOC (9) Cl.** **07-06**

(52) **U.S. Cl.**
USPC **D7/683**; D7/381

(58) **Field of Classification Search**
USPC D7/642, 368, 669, 691, 401.2, 412,
D7/683, 684, 381; 30/164.8, 142, 1, 358,
30/164.5, 322; D8/14, 15; 99/419; 294/61
See application file for complete search history.

(56) **References Cited**

U.S. PATENT DOCUMENTS

1,608,953	A	11/1926	Pflueger	
2,404,166	A	7/1946	Danilla	
2,536,531	A	1/1951	Bishop	
2,550,217	A	4/1951	Bourque	
2,760,700	A	8/1956	Lien	
D180,146	S	4/1957	Hagerstrom	
2,815,706	A *	12/1957	Weinberger	99/419
2,859,685	A *	11/1958	Alexander	99/419
2,972,438	A	2/1961	Kimbrough	
3,078,787	A *	2/1963	Arseneault	99/419
3,148,907	A *	9/1964	Peterson	294/61
3,371,830	A	3/1968	Parkman	
3,590,726	A	7/1971	Warner	
4,258,617	A	3/1981	Akwei	
4,958,758	A	9/1990	Tipple et al.	
D318,314	S	7/1991	Watkins	
D332,033	S *	12/1992	Balibrea	D7/683

5,193,443	A	3/1993	Carney
5,297,534	A	3/1994	Louden
5,310,381	A	5/1994	Green
5,323,692	A	6/1994	Grzywna et al.

(Continued)

FOREIGN PATENT DOCUMENTS

DE	3914414	10/1990
JP	2002/330853	11/2002
JP	2003/61805	3/2003

OTHER PUBLICATIONS

Unknown. "New for Fall 2011: Double Prong Stainless Steel Skewer". Firewiregrilling.com website. [online], [retrieved on Dec. 11, 2012]. Retrieved from the Internet: <URL: <http://www.firewiregrilling.com/skewer.php>>.*

Primary Examiner — Ian Simmons

Assistant Examiner — Eleni H Aldridge

(74) *Attorney, Agent, or Firm* — Edward D. Gilhooly

(57) **CLAIM**

The ornamental design for the food skewer, as shown and described.

DESCRIPTION

FIG. 1 is a front perspective view of the food skewer of the present invention.

FIG. 2 is a rear perspective view thereof.

FIG. 3 is a front view thereof.

FIG. 4 is a rear view thereof.

FIG. 5 is a side view thereof.

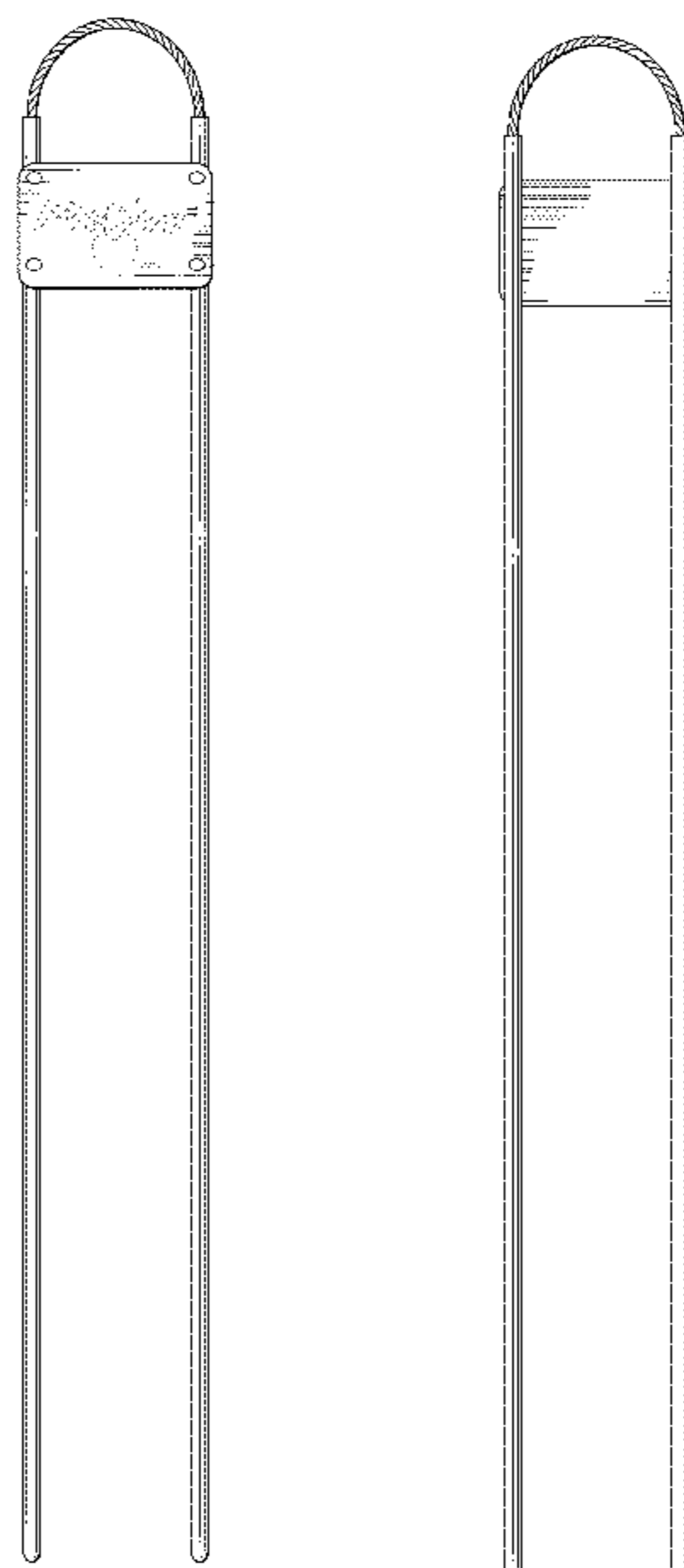
FIG. 6 is a top view thereof; and,

FIG. 7 is a bottom view thereof.

Elements in the disclosure executed in broken lines do not comprise part of the presently claimed design.

The broken lines in the figures illustrate portions of the food skewer of the invention that form no part of the claim.

1 Claim, 2 Drawing Sheets



(56)

References Cited

U.S. PATENT DOCUMENTS

5,374,268 A 12/1994 Sander
 5,482,195 A 1/1996 Hobbs
 5,511,293 A 4/1996 Hubbard et al.
 5,881,490 A 3/1999 Richardson
 5,906,052 A * 5/1999 Harmon 30/322
 D411,084 S * 6/1999 Roychowdhury D7/684
 5,970,697 A 10/1999 Jacobs et al.
 6,009,796 A 1/2000 Larzik
 D430,461 S 9/2000 Fielding
 6,216,319 B1 4/2001 Elkins
 6,286,418 B1 9/2001 Berke et al.

D479,444 S * 9/2003 Conigliaro D7/683
 D484,756 S * 1/2004 Conigliaro D7/683
 6,772,924 B2 8/2004 Bennett
 D500,939 S * 1/2005 Aswad D7/683
 6,877,232 B2 * 4/2005 Harmon et al. 30/322
 D512,885 S 12/2005 Zemel
 D524,124 S * 7/2006 Tashjian D7/683
 D550,951 S 9/2007 Belsky
 D592,916 S * 5/2009 Mazzetta et al. D7/683
 D651,484 S * 1/2012 Zemel D7/683
 2002/0189462 A1 12/2002 Guess
 2005/0241116 A1 11/2005 Stewart et al.
 2007/0254576 A1 11/2007 Stewart et al.

* cited by examiner

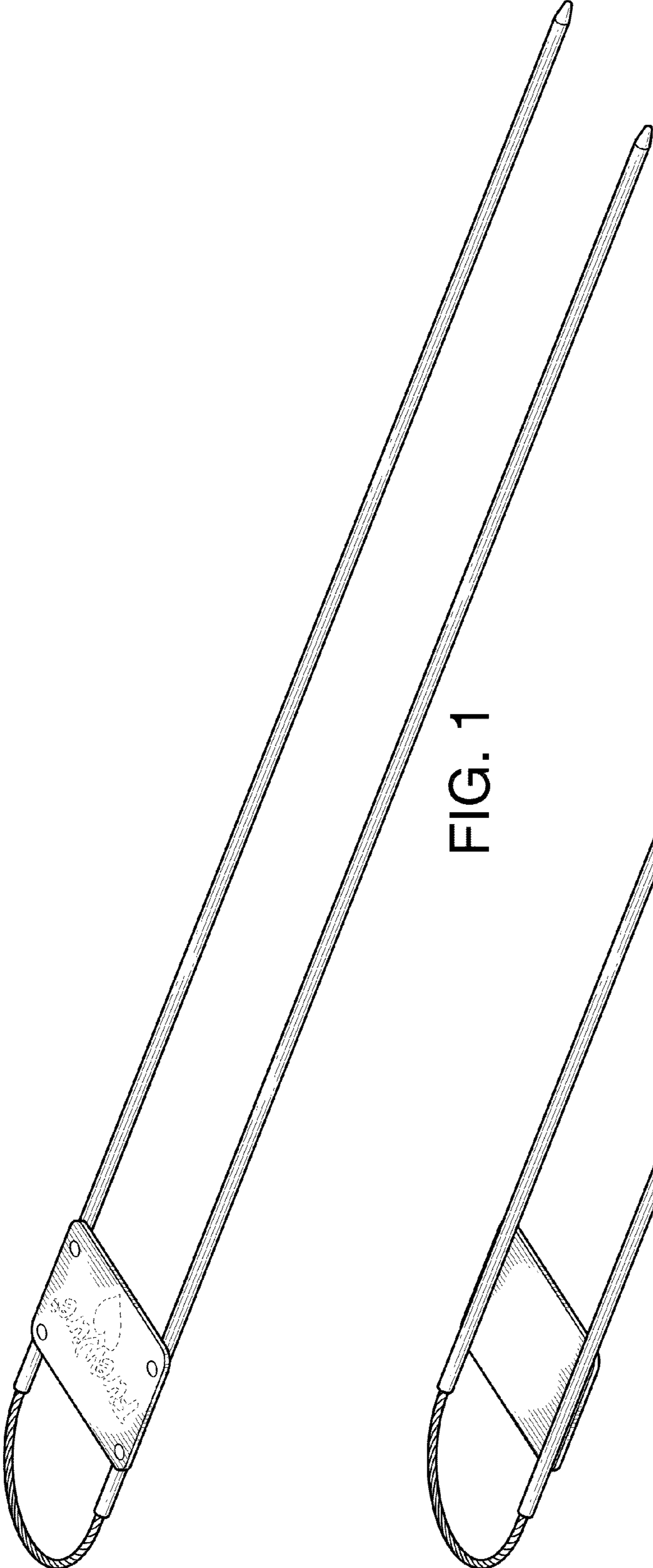


FIG. 1

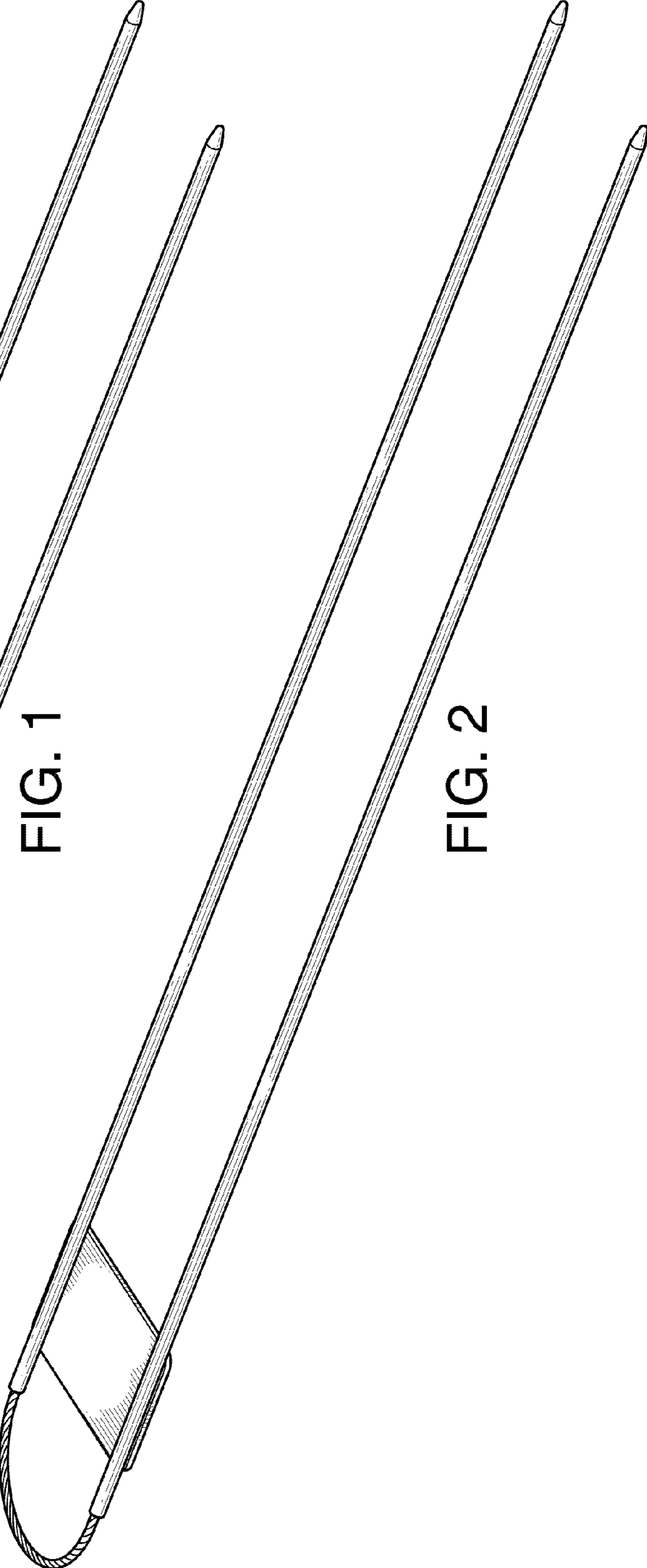


FIG. 2

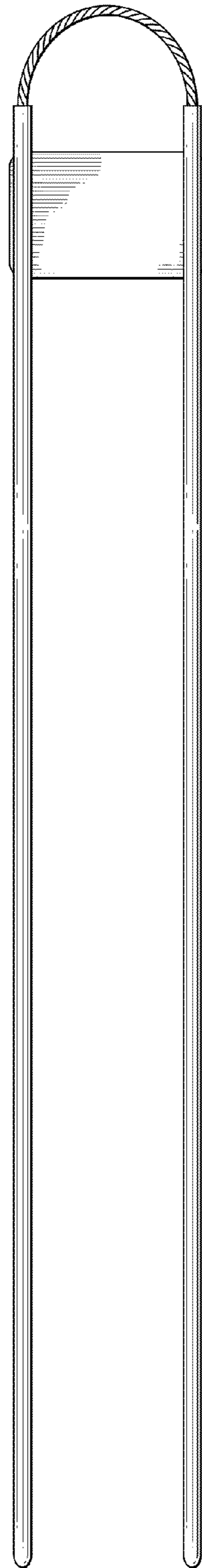
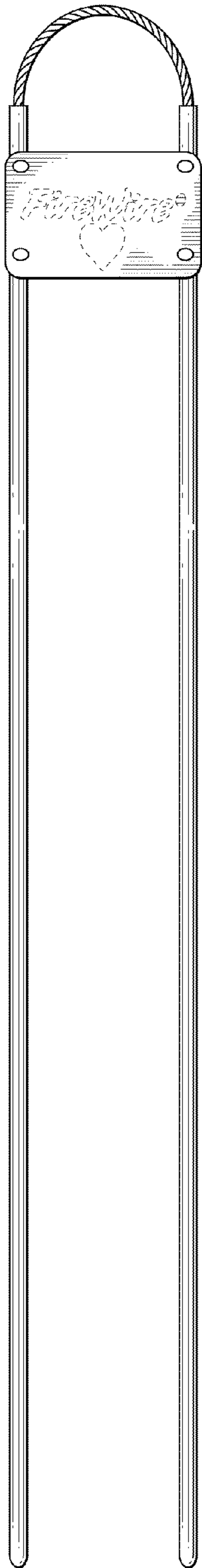


FIG. 6



FIG. 7