



US00D688533S

(12) **United States Design Patent**
Altounian

(10) **Patent No.:** **US D688,533 S**

(45) **Date of Patent:** **** Aug. 27, 2013**

(54) **COOKIE CUTTER TAG**

(75) Inventor: **Bryce Butcher Altounian**, Monrovia,
CA (US)

(73) Assignee: **Bradshaw International, Inc.**, Rancho
Cucamonga, CA (US)

(**) Term: **14 Years**

(21) Appl. No.: **29/427,165**

(22) Filed: **Jul. 16, 2012**

(51) **LOC (9) Cl.** **07-04**

(52) **U.S. Cl.**
USPC **D7/675**

(58) **Field of Classification Search**

USPC D7/672-677, 300, 354-364, 368,
D7/369.4, 402, 410, 505, 506, 554.3-554.4,
D7/601, 611, 654, 669, 680, 681, 683, 684,
D7/685, 686, 687, 693; D9/424-432, 449,
D9/456, 737, 757, 758, 762; 249/91, 92,
249/105, 168, 117, 118, 119, 121, 123, 124,
249/130, 132, 135, 126, 170; 426/134, 421,
426/515, 67, 68, 91, 95, 96; 206/521.1-521.8;
220/675; D1/101, 102, 105, 103, 705;
30/30-308, 314, 316, 321, 358, 559, 367;
100/214, 265, 266, 210, 199, 200, 205; D18/15,
D18/16; 99/353, 357, 354; 425/125, 298,
425/299; D20/22, 23, 24, 27, 29, 30, 40
See application file for complete search history.

(56) **References Cited**

U.S. PATENT DOCUMENTS

206,629 A * 7/1878 Douglas 83/662
D161,919 S * 2/1951 Gorko D7/672
2,797,653 A * 7/1957 Rade 425/292
D330,832 S * 11/1992 Goodman D7/675
5,357,861 A * 10/1994 d'Arbelles et al. 101/327
D516,858 S * 3/2006 Henry et al. D7/359
D527,217 S * 8/2006 Morgan D7/354

D528,351 S * 9/2006 Morgan D7/354
D528,352 S * 9/2006 Morgan D7/354
D567,037 S * 4/2008 Taylor D7/672
D581,224 S * 11/2008 Vendl D7/675
D584,579 S * 1/2009 Vendl D7/675
2006/0272162 A1 * 12/2006 Atwater et al. 30/303
2008/0110031 A1 * 5/2008 Kolz 30/299
2008/0229938 A1 * 9/2008 Hutto 99/537

OTHER PUBLICATIONS

Large Gift Tag Cookie Cutter New Snowflake, [online], bidding
ended Feb. 20, 2013, retrieved on Mar. 16, 2013. Retrieved from,
<URL: http://www.ebay.com/itm/Large-GIFT-TAG-COOKIE-CUTTER-New-SNOWFLAKE-Lines-DELUXE-Baking-COOK/310568983696?pt=LH_DefaultDomain_0&hash=item484f5a9c90>, 1 page.*

* cited by examiner

Primary Examiner — Ian Simmons

Assistant Examiner — Shannon Weekley

(74) *Attorney, Agent, or Firm* — Birch, Stewart, Kolasch &
Birch, LLP

(57) **CLAIM**

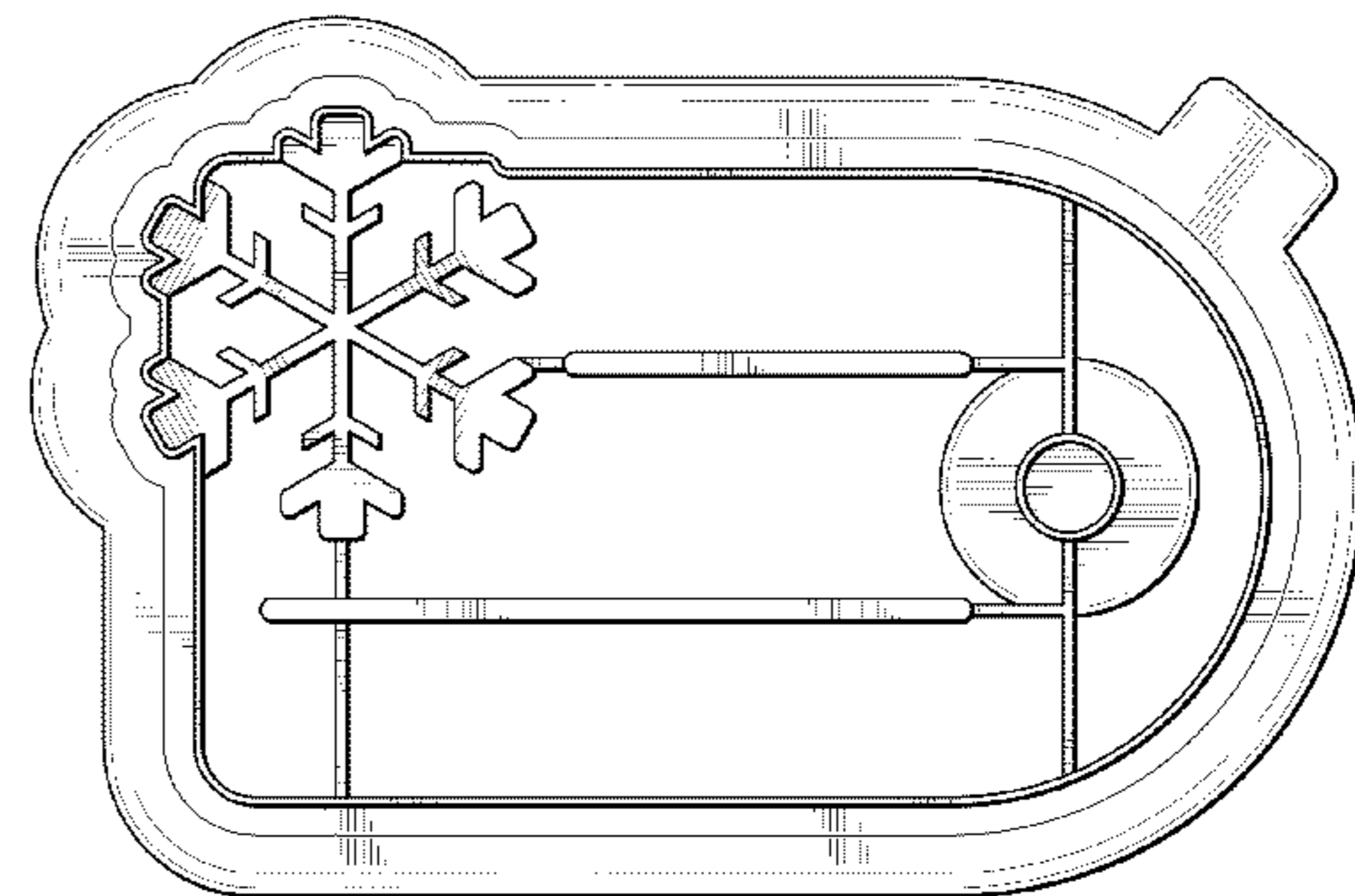
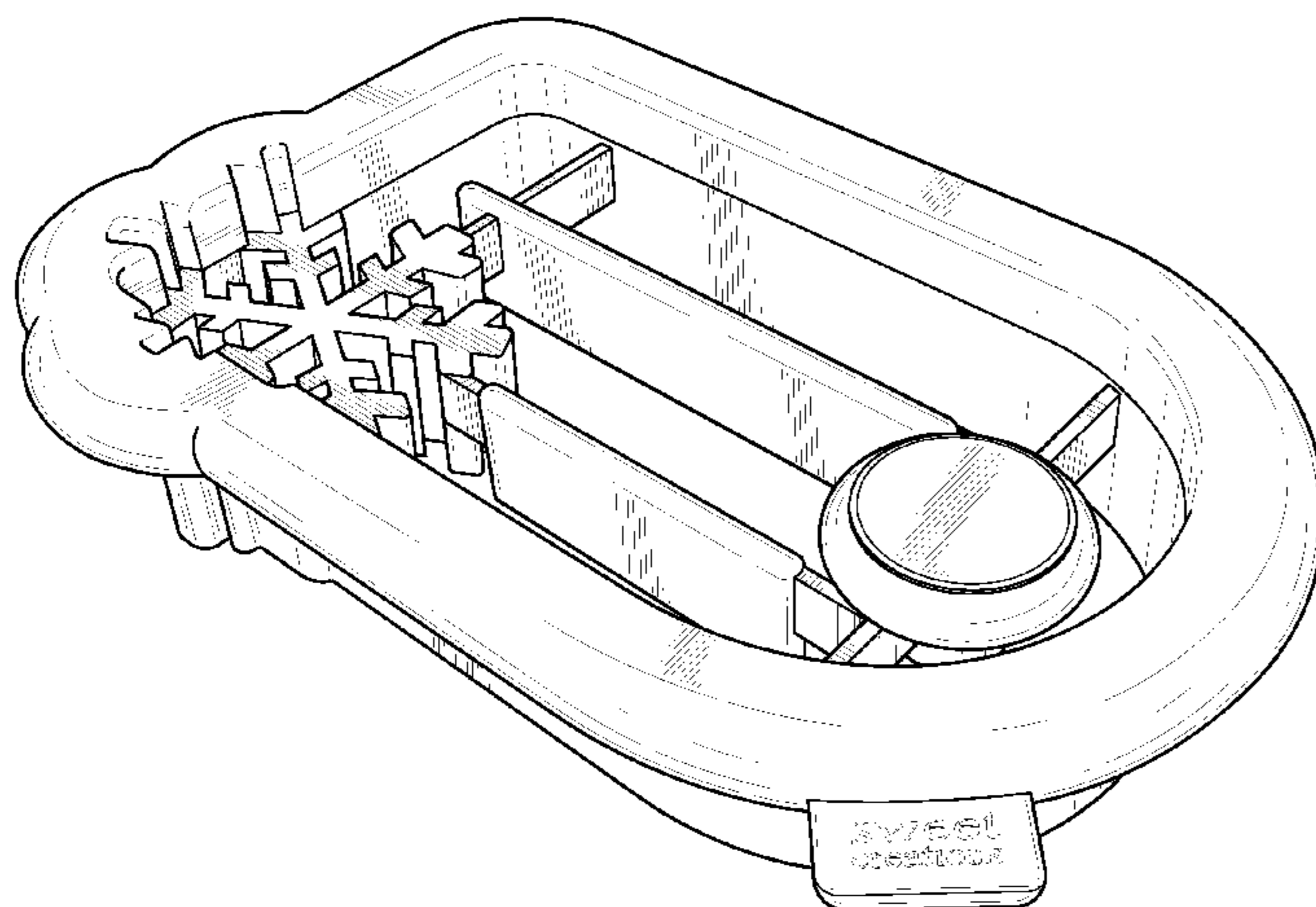
The ornamental design for a cookie cutter tag, as shown and
described.

DESCRIPTION

FIG. 1 is a top perspective view of a cookie cutter tag showing
my new design;
FIG. 2 is a top view thereof;
FIG. 3 is a bottom view thereof;
FIG. 4 is a front view thereof;
FIG. 5 is a rear view thereof;
FIG. 6 is a right side view thereof; and,
FIG. 7 is a left side view thereof.

The broken lines in FIGS. 1 and 2 of the cookie cutter tag is for
the purpose of illustrating environment, and forms no part of
the claimed design.

1 Claim, 5 Drawing Sheets



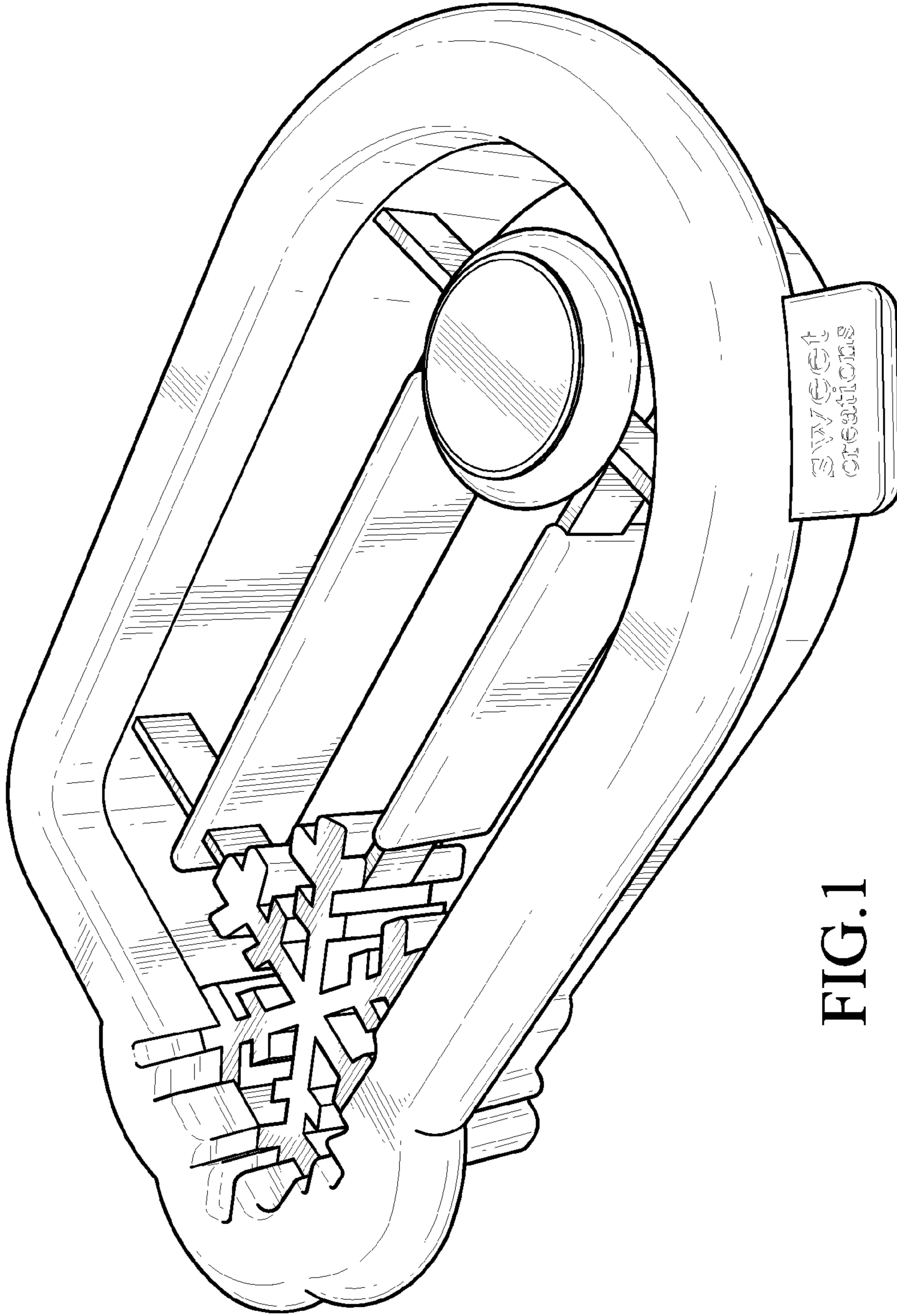


FIG. 1

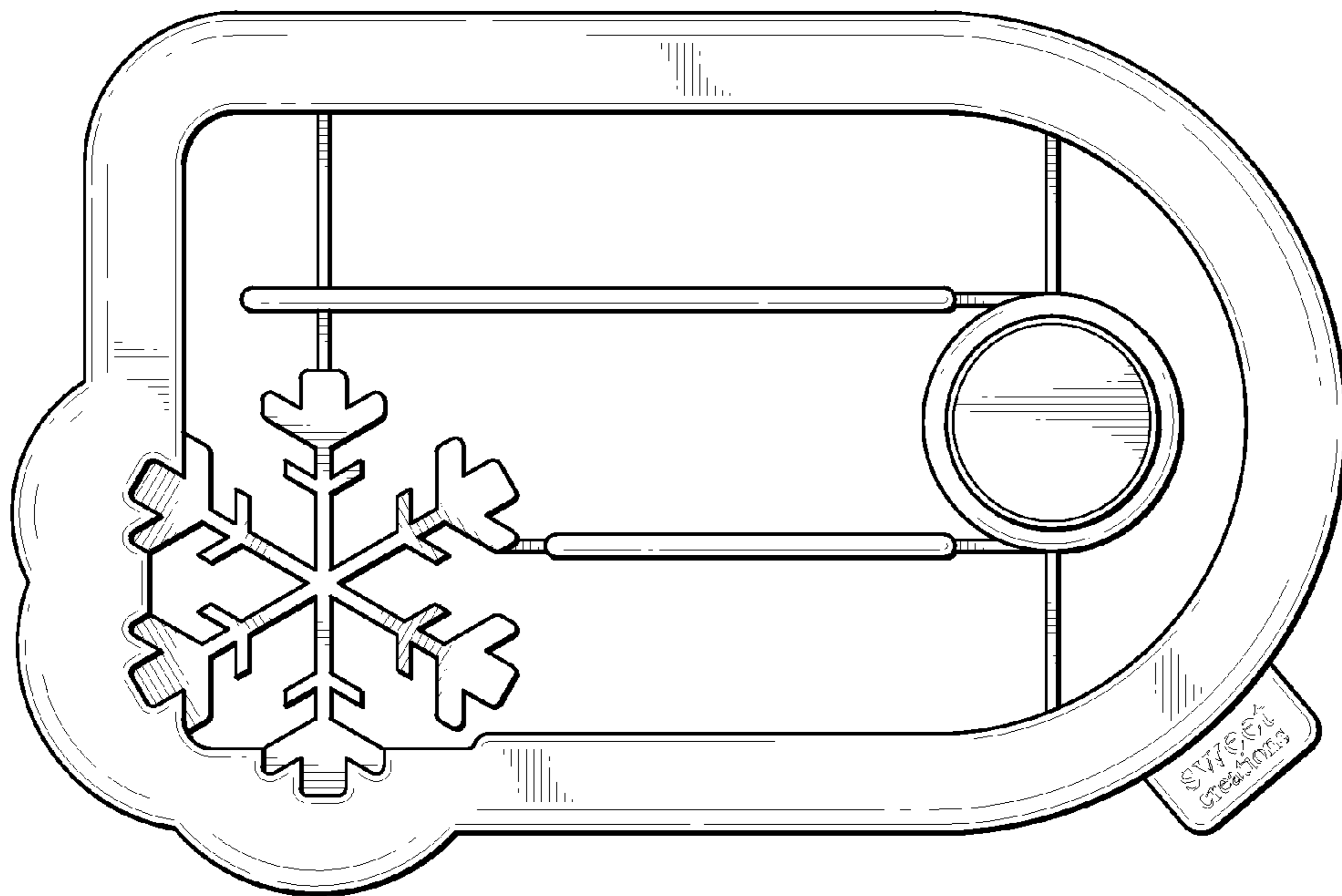


FIG.2

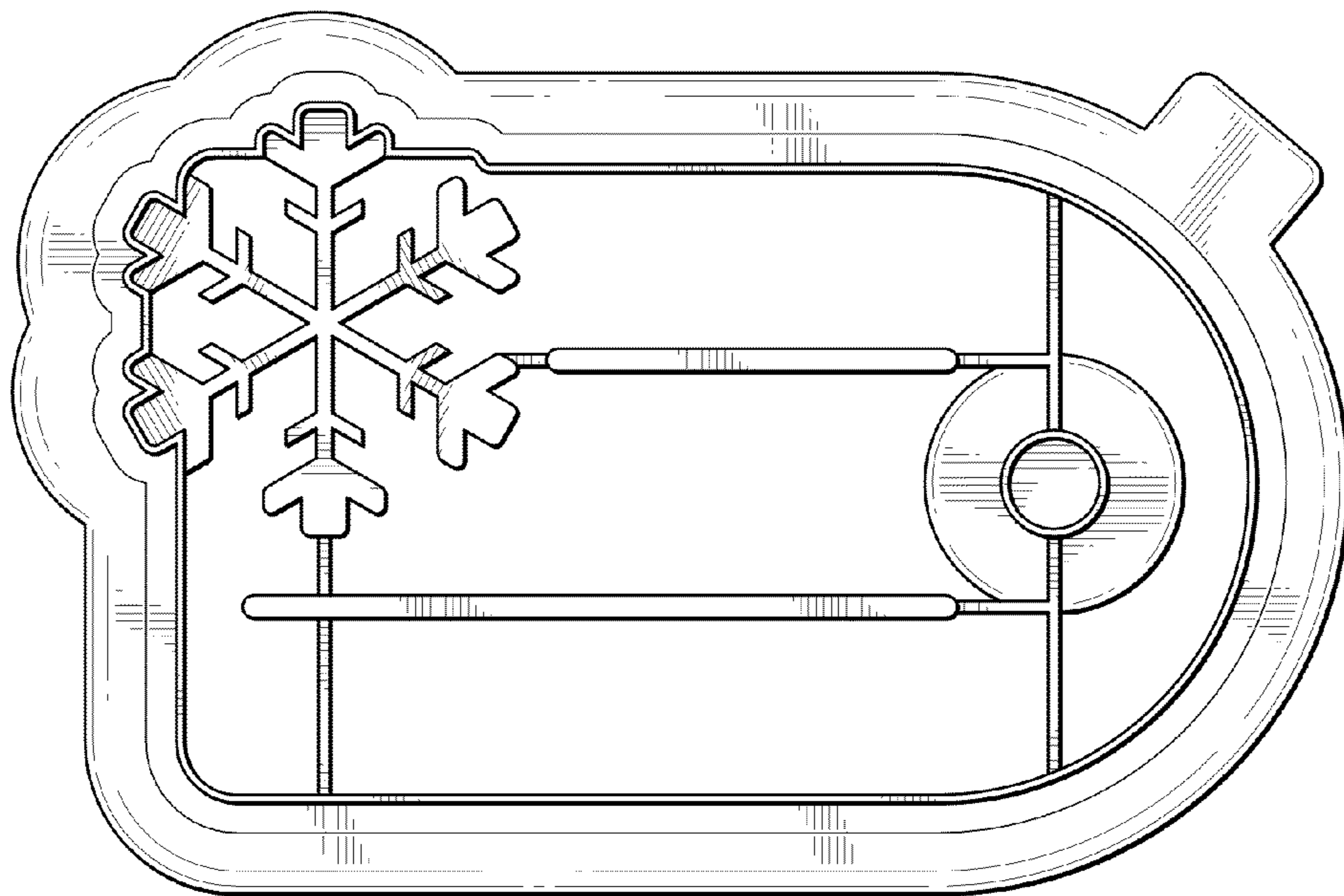


FIG.3

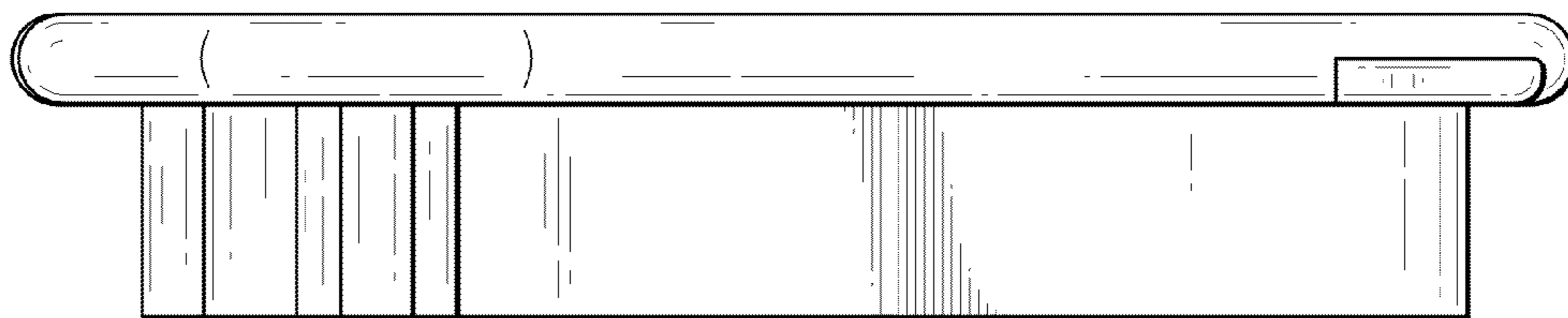


FIG. 4

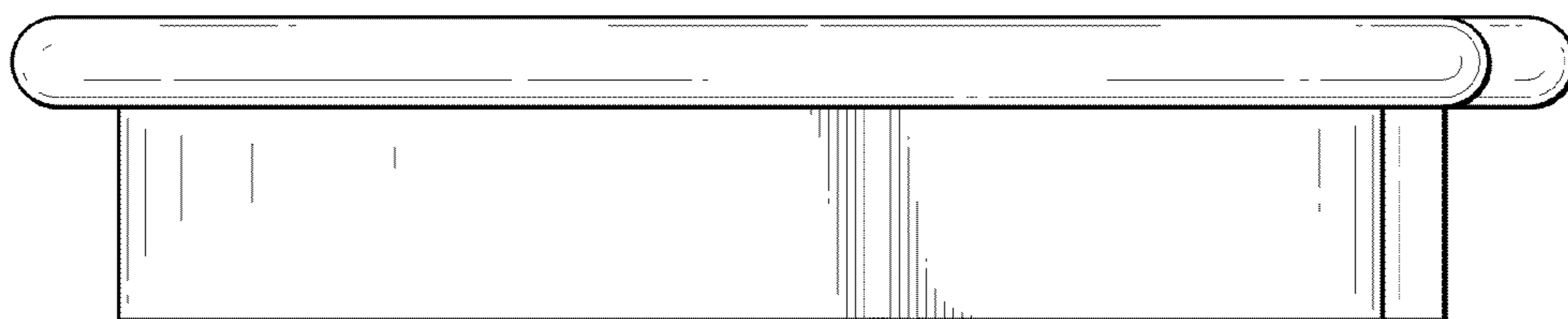


FIG. 5

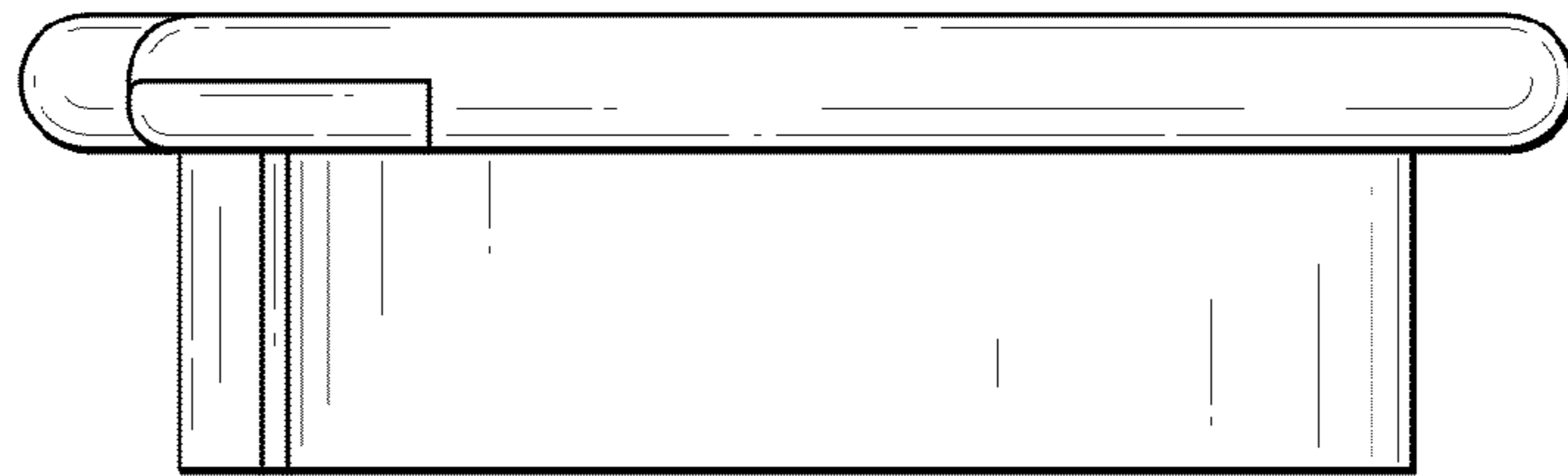


FIG. 6

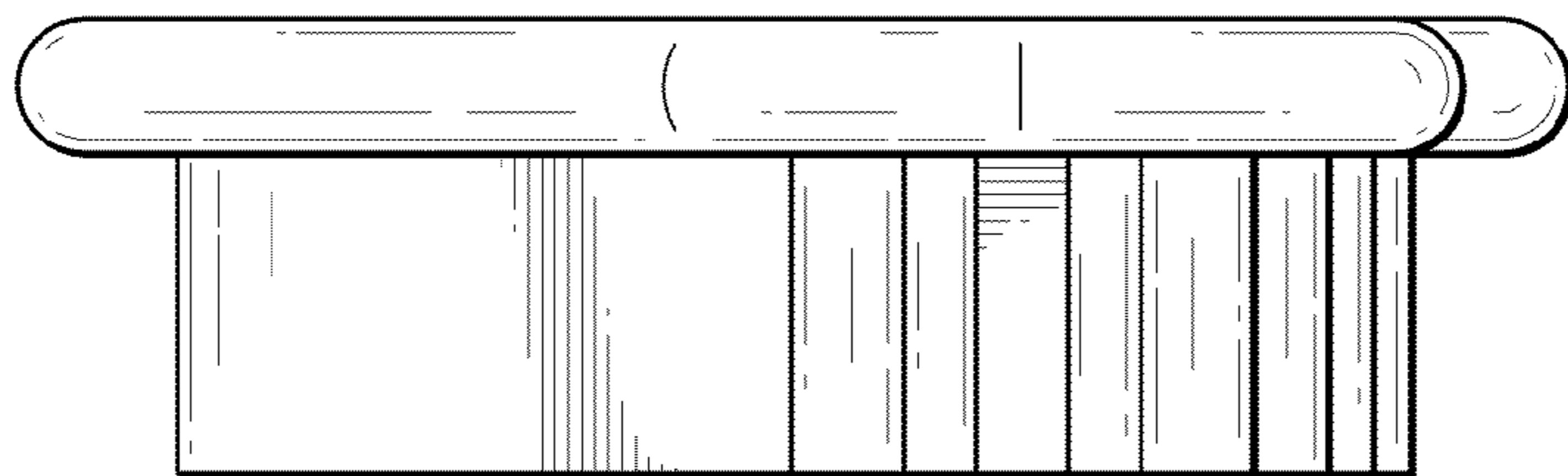


FIG. 7