



US00D688530S

(12) **United States Design Patent**
Sanders

(10) **Patent No.:** **US D688,530 S**

(45) **Date of Patent:** **** Aug. 27, 2013**

(54) **BOTTLE HOLDER**

(71) Applicant: **John M. Sanders**, Minneapolis, MN
(US)

(72) Inventor: **John M. Sanders**, Minneapolis, MN
(US)

(**) Term: **14 Years**

(21) Appl. No.: **29/421,995**

(22) Filed: **Nov. 8, 2012**

Related U.S. Application Data

(62) Division of application No. 29/395,355, filed on Jan. 9, 2012, now Pat. No. Des. 671,799.

(51) **LOC (9) Cl.** **07-02**

(52) **U.S. Cl.**
USPC **D7/619.2**; D7/619.1; D7/396.2; D7/397;
D7/387; D9/455; D24/197

(58) **Field of Classification Search**
USPC D7/619.1, 620, 708.1, 398, 387,
D7/396.2, 213, 397, 619.2; D9/434, 435,
D9/601, 455; D12/411; 248/104, 146; 211/74;
D24/128, 198, 199, 197; D20/22
See application file for complete search history.

(56) **References Cited**

U.S. PATENT DOCUMENTS

2,033,296	A *	3/1936	Porter	248/102
D200,819	S *	4/1965	Perun	D9/434
3,481,639	A *	12/1969	Lawrence	294/31.2
3,773,287	A *	11/1973	Hechinger	248/102
D306,071	S *	2/1990	Klitsner	D24/197
D306,072	S *	2/1990	Klitsner	D24/197
D306,075	S *	2/1990	Klitsner	D24/197
4,943,017	A *	7/1990	Ennis	248/102
D322,128	S *	12/1991	Martinez, Jr.	D24/199

D359,756	S *	6/1995	Ely	D20/28
D370,386	S *	6/1996	Pallesen	D7/398
5,613,657	A *	3/1997	Olaiz	248/102
D403,958	S *	1/1999	Steppek	D9/434
5,890,635	A *	4/1999	Wu et al.	224/148.4
D412,938	S *	8/1999	Kesselring et al.	D20/28
D431,466	S *	10/2000	Wang	D9/434
D458,380	S *	6/2002	Dutil	D24/197
D491,465	S *	6/2004	Kelleghan	D9/434
6,837,472	B1 *	1/2005	Beutz	248/312
D564,351	S *	3/2008	Leclerc	D9/434
D571,665	S *	6/2008	Sanders	D9/517
D584,825	S *	1/2009	Berglund	D24/199
D592,509	S *	5/2009	Lecoutre	D9/456
D593,318	S *	6/2009	Kelleghan	D3/207
D626,409	S *	11/2010	Hooley	D9/434
D627,637	S *	11/2010	Kallenbach et al.	D9/447
D644,062	S *	8/2011	Lorenz	D7/396.2
D650,691	S *	12/2011	Miller	D9/620
D650,692	S *	12/2011	Miller	D9/620
8,152,012	B1 *	4/2012	Berglund	215/396
D671,799	S *	12/2012	Sanders	D7/619.2

* cited by examiner

Primary Examiner — Marianne Pandozzi

(74) *Attorney, Agent, or Firm* — Richard John Bartz

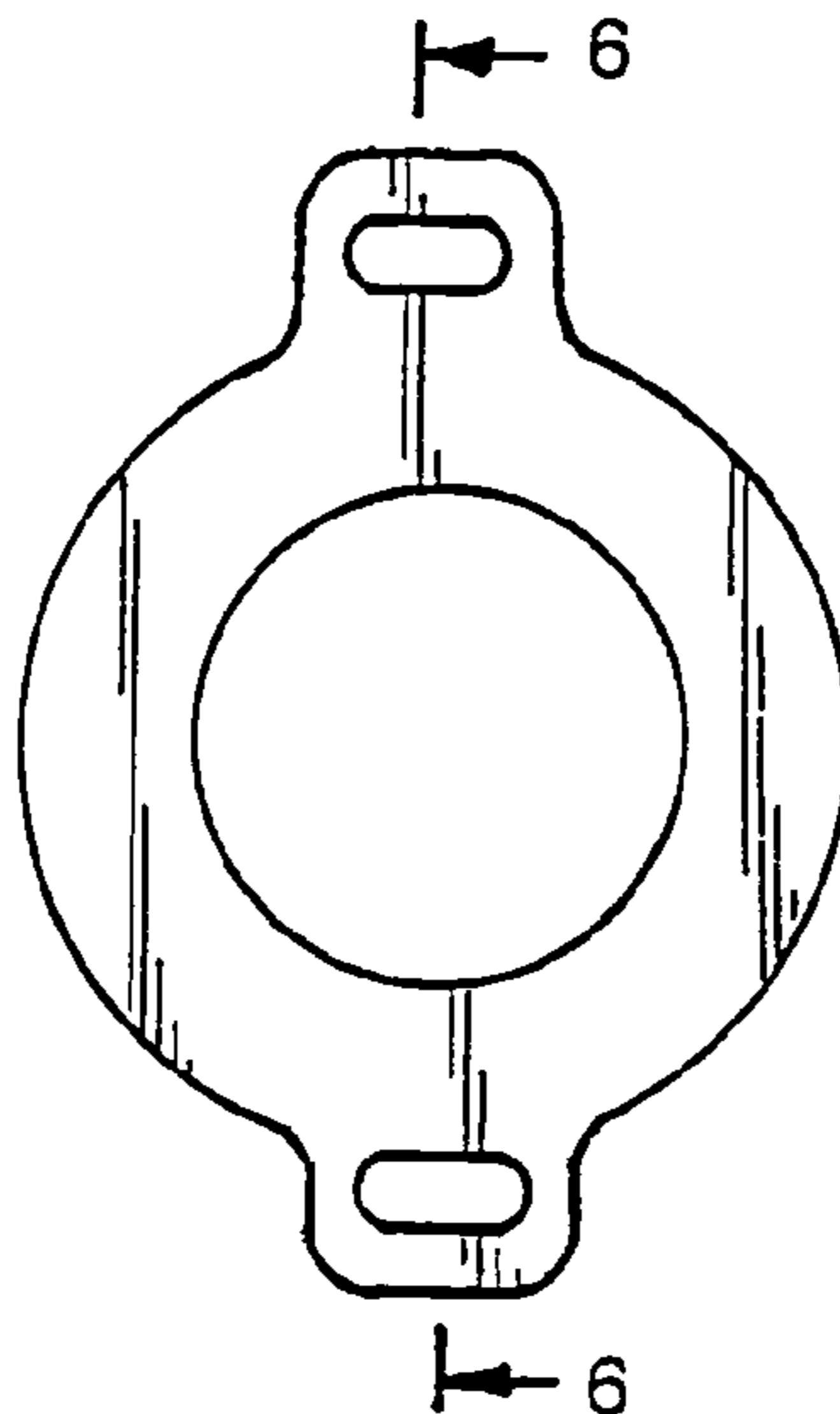
(57) **CLAIM**

The ornamental design for a bottle holder, as shown and described.

DESCRIPTION

FIG. 1 is a front elevational view of a bottle holder showing my new design;
FIG. 2 is a top plan view thereof;
FIG. 3 is a bottom plan view thereof;
FIG. 4 is a side elevational view of the right side thereof;
FIG. 5 is a side elevational view of the left side thereof;
FIG. 6 is a sectional view taken along line 6-6 of FIG. 1; and,
FIG. 7 is a rear elevational view thereof.

1 Claim, 1 Drawing Sheet



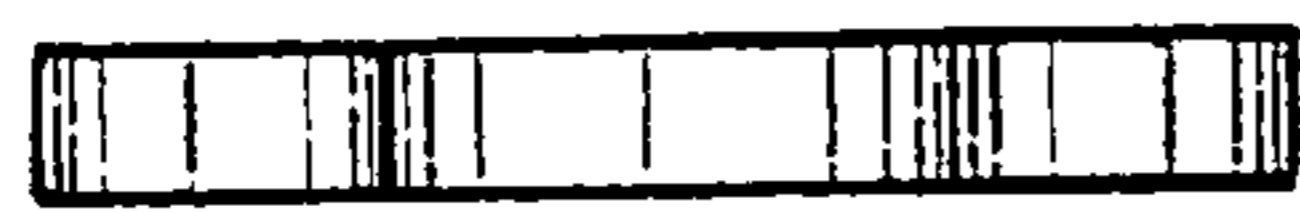
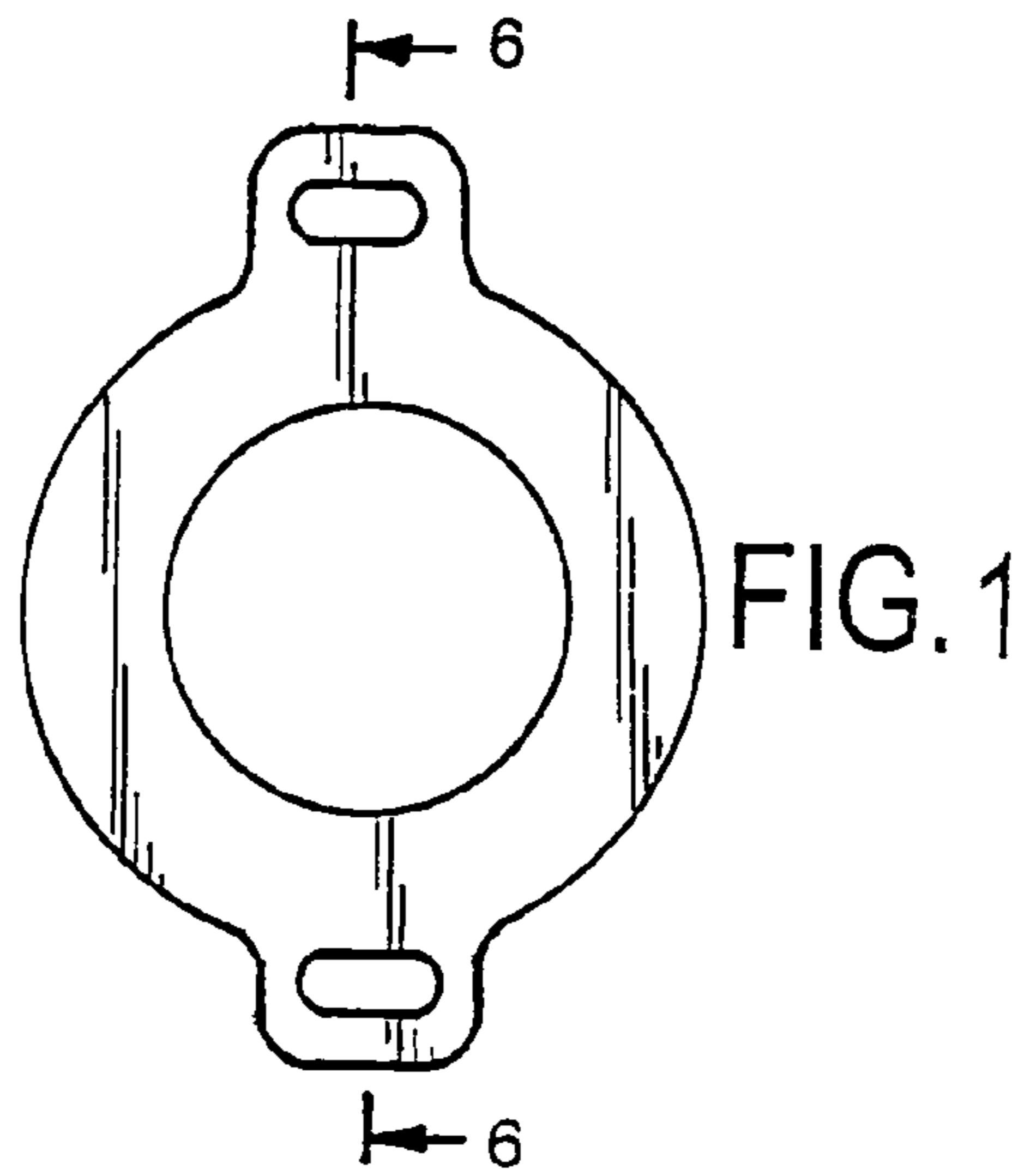


FIG. 2



FIG. 3



FIG. 4



FIG. 5



FIG. 6

