



US00D688523S

(12) **United States Design Patent**
Lees

(10) **Patent No.:** **US D688,523 S**
(45) **Date of Patent:** **** Aug. 27, 2013**

- (54) **CUP**
- (71) Applicant: **Bath & Body Works Brand Management, Inc.**, Reynoldsburg, OH (US)
- (72) Inventor: **Laura Maria Lees**, Blacklick, OH (US)
- (73) Assignee: **Bath & Body Works Brand Management, Inc.**, Reynoldsburg, OH (US)
- (**) Term: **14 Years**
- (21) Appl. No.: **29/436,839**
- (22) Filed: **Nov. 9, 2012**

Related U.S. Application Data

- (62) Division of application No. 29/413,691, filed on Feb. 17, 2012.
- (51) **LOC (9) Cl.** **07-01**
- (52) **U.S. Cl.**
USPC **D7/510; D7/532**
- (58) **Field of Classification Search**
USPC D7/536, 533, 300, 510, 523, 507, D7/511, 509, 300.1, 528, 526, 525, 530, 531, D7/532; 220/597.17, 592.16, 495.03; 426/88
See application file for complete search history.

References Cited

U.S. PATENT DOCUMENTS

D67,738 S *	7/1925	Bell	D7/532
D70,476 S *	6/1926	Heisey	D7/532
D71,042 S	9/1926	Atterholt		
2,028,566 A *	1/1936	Seipel et al.	294/31.2
2,051,446 A *	8/1936	Ice		
D107,991 S *	1/1938	Hansen	D7/532
D107,994 S *	1/1938	Hansen	D7/532

D112,560 S	12/1938	Cunningham		
2,613,107 A	10/1952	Hartnett		
2,979,267 A	4/1961	Miller		
D198,139 S *	5/1964	Edwards	D7/532
3,131,845 A *	5/1964	Sherlock et al.	229/400
3,139,213 A *	6/1964	Bryant	206/519
3,157,335 A *	11/1964	Maier	229/400
3,223,305 A *	12/1965	Edwards	229/400
D208,872 S *	10/1967	Davis	D7/531
3,349,950 A	10/1967	Wanderer		
3,372,830 A *	3/1968	Edwards	206/519
D210,767 S *	4/1968	Anglada	D7/532
3,397,867 A *	8/1968	Hoff	366/341
4,121,835 A	10/1978	Garabedian		
D272,794 S *	2/1984	Dart	D7/532

(Continued)

OTHER PUBLICATIONS

Starbucks Store, Customizable Cold Cup, 16 fl oz, <http://www.starbucksstore.com/Customizable-Cold-Cup%2C-16-fl-oz/011010801,default>.

(Continued)

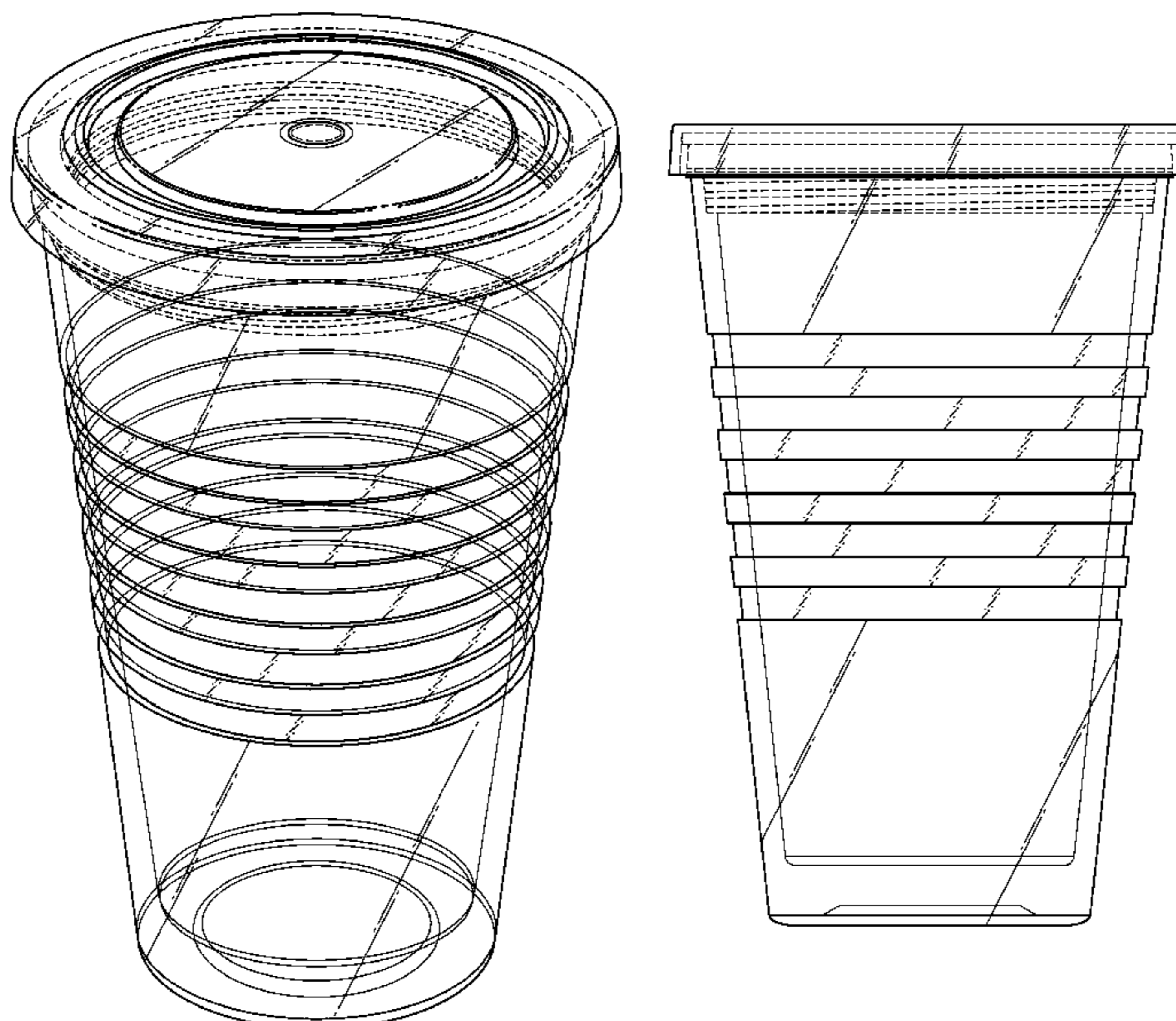
Primary Examiner — Susan Bennett Hattan
Assistant Examiner — Janice Hallmark
(74) *Attorney, Agent, or Firm* — Ward & Zinna, LLC

(57) **CLAIM**
The ornamental design for a cup, as shown and described.

DESCRIPTION

FIG. 1 is a front perspective view of the cup according to the present invention;
FIG. 2 is a side elevation view thereof;
FIG. 3 is a top plan view thereof; and,
FIG. 4 is a bottom plan view thereof.
The broken lines shown in the drawings are included for the purpose of illustrating the environment of the design and form no part of the claimed design.

1 Claim, 4 Drawing Sheets



(56)

References Cited

U.S. PATENT DOCUMENTS

4,494,668 A 1/1985 Lottick
 D289,484 S 4/1987 Forquer et al.
 5,039,012 A 8/1991 Inaba
 5,381,924 A 1/1995 Kiefel
 D381,869 S * 8/1997 Jeppesen et al. D7/532
 D410,174 S * 5/1999 Sheu D7/510
 D437,185 S 2/2001 Freed
 D441,252 S 5/2001 Gitschlag
 D442,029 S 5/2001 Otake
 6,554,154 B1 4/2003 Chauhan et al.
 D475,891 S 6/2003 Bin
 6,588,654 B2 7/2003 Nakashima
 D481,583 S 11/2003 Fino et al.
 D488,672 S 4/2004 Oas
 D490,655 S 6/2004 Zettle et al.
 D495,199 S 8/2004 Matthews
 D505,592 S 5/2005 Liu
 D532,242 S 11/2006 Aikens
 7,229,181 B2 6/2007 Diak/Ghanem
 D547,123 S 7/2007 Sanberg
 D548,526 S 8/2007 Huffman et al.
 D562,075 S * 2/2008 Mehta D7/529
 D570,159 S * 6/2008 McGill D7/532
 D572,083 S 7/2008 Tien
 D572,534 S * 7/2008 Karam D7/529
 D577,260 S 9/2008 Bodum
 D581,739 S 12/2008 Bodum
 7,484,639 B2 2/2009 Maravich et al.
 D607,692 S * 1/2010 Skala D7/532
 D613,554 S 4/2010 Koennecke

D614,448 S 4/2010 Cahen
 D618,964 S 7/2010 Eisenhardt
 D619,852 S 7/2010 Bodum
 D624,789 S 10/2010 Bodum
 D638,243 S 5/2011 Carlson et al.
 D638,244 S 5/2011 Wallace
 D640,094 S 6/2011 Carlson et al.
 D642,862 S 8/2011 Tobias
 D642,863 S 8/2011 Tobias
 D642,864 S 8/2011 Tobias
 D648,985 S 11/2011 Chiu et al.
 D650,634 S * 12/2011 Hodge et al. D7/532
 D652,681 S 1/2012 Monugian
 D655,982 S 3/2012 Liu
 D673,421 S * 1/2013 Chiu et al. D7/396.2
 D674,241 S * 1/2013 Bickert et al. D7/510
 D674,663 S * 1/2013 Cahen D7/510
 2005/0111212 A1 5/2005 Diak/Ghanem
 2008/0128529 A1 6/2008 Fernandez
 2008/0264959 A1 10/2008 Unda et al.
 2009/0256000 A1 10/2009 Wallace
 2011/0062168 A1 3/2011 Chow et al.

OTHER PUBLICATIONS

Copco, Stir 'n. Sip Cup, <http://www.copco.com/store/site/product.cfm/id/DCE6424C-1 EOB-C91 O-EAAD89E8980>.
 Bigcatcoffees, Copco Eco Sierra Ice To-Go Cup-Pink, <http://www.bigateoffees.com/item.efm? P=406>.
 Alibaba, Straw coffee mug. double wall clear coffee mug. cold coffee mug. mug, http://www.alibaba.com/product-gs/435139707/Straw_coffee_mug_double_wall-clear.ht.

* cited by examiner

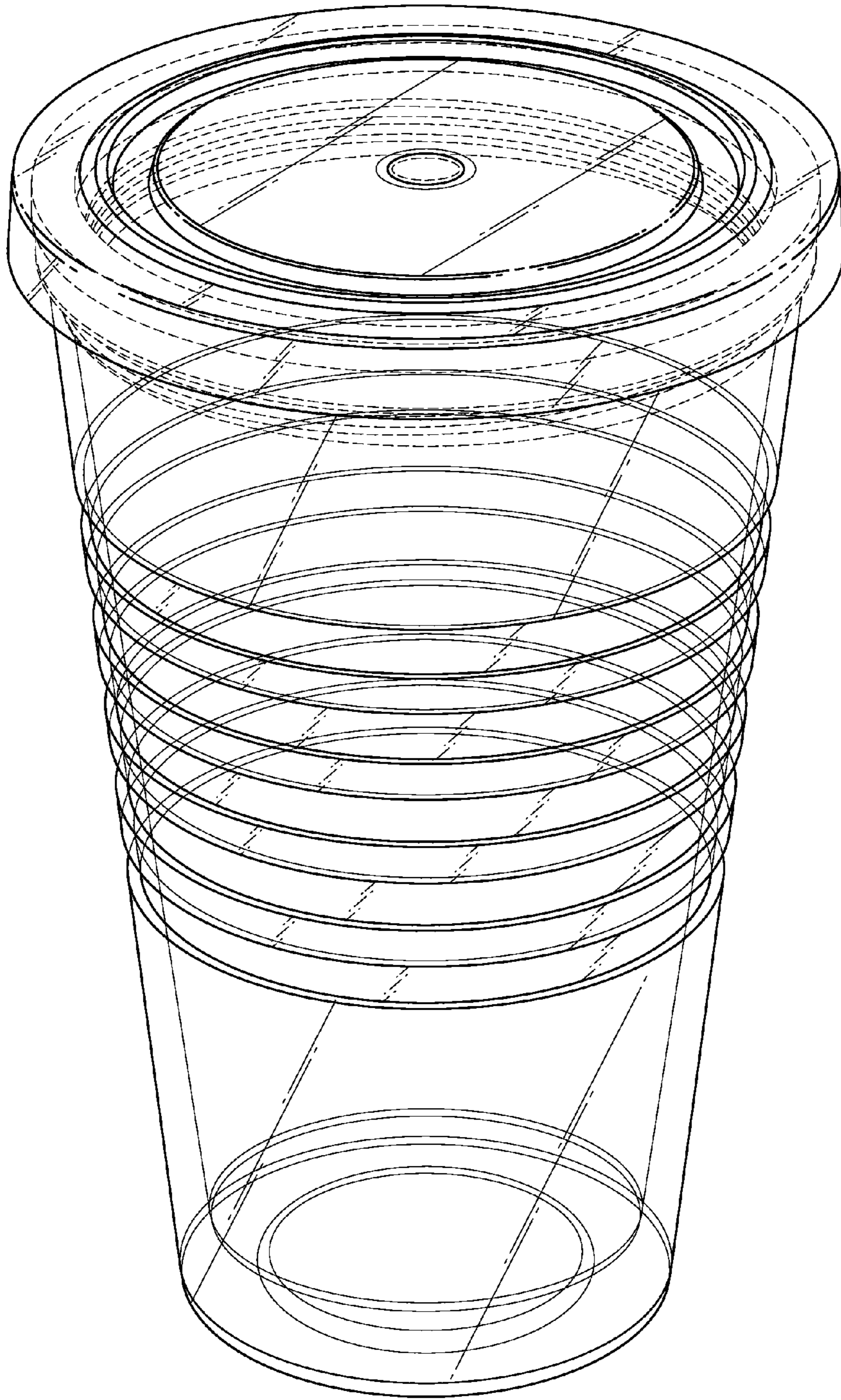


FIG. 1

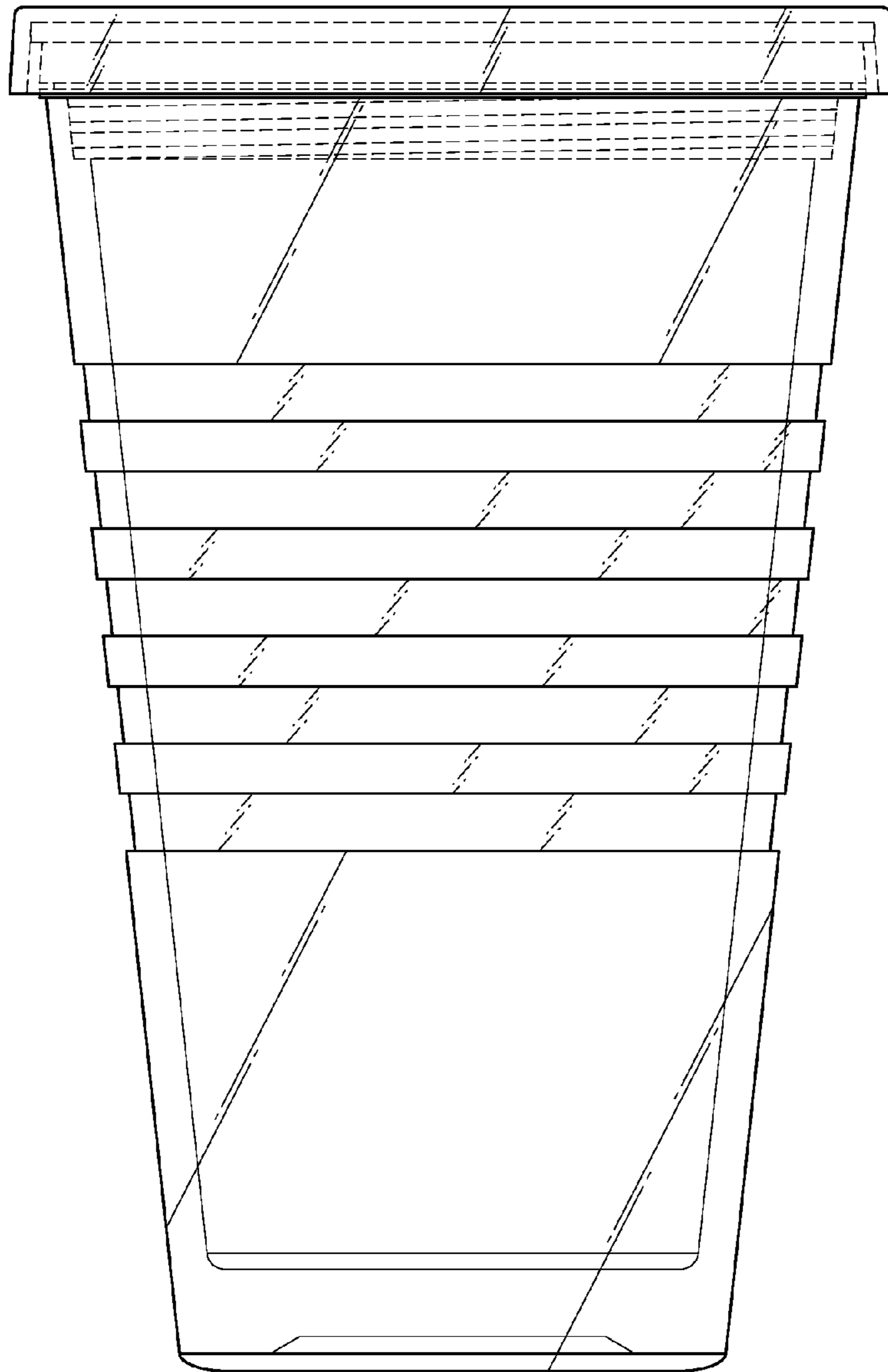


FIG. 2

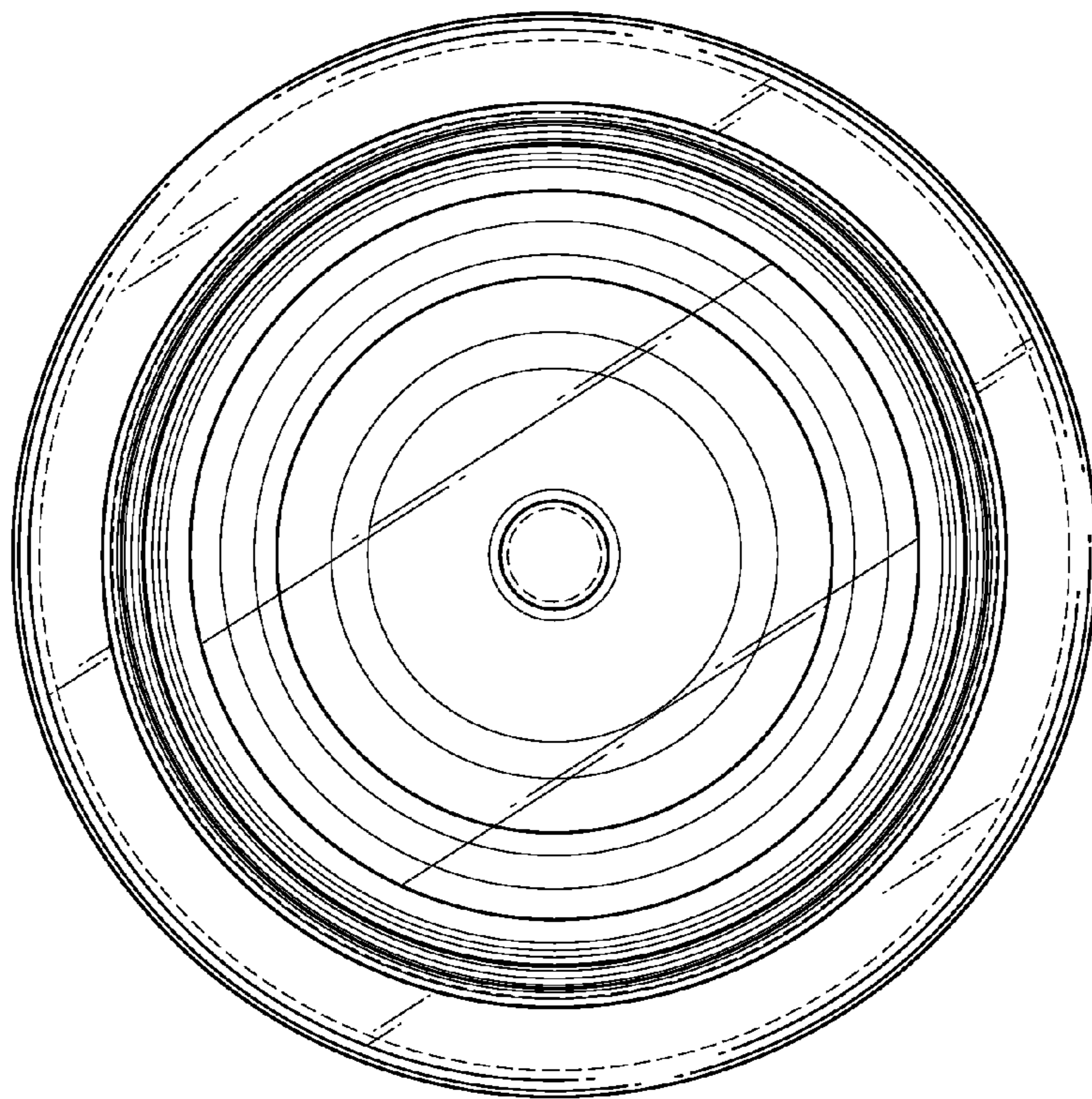


FIG. 3

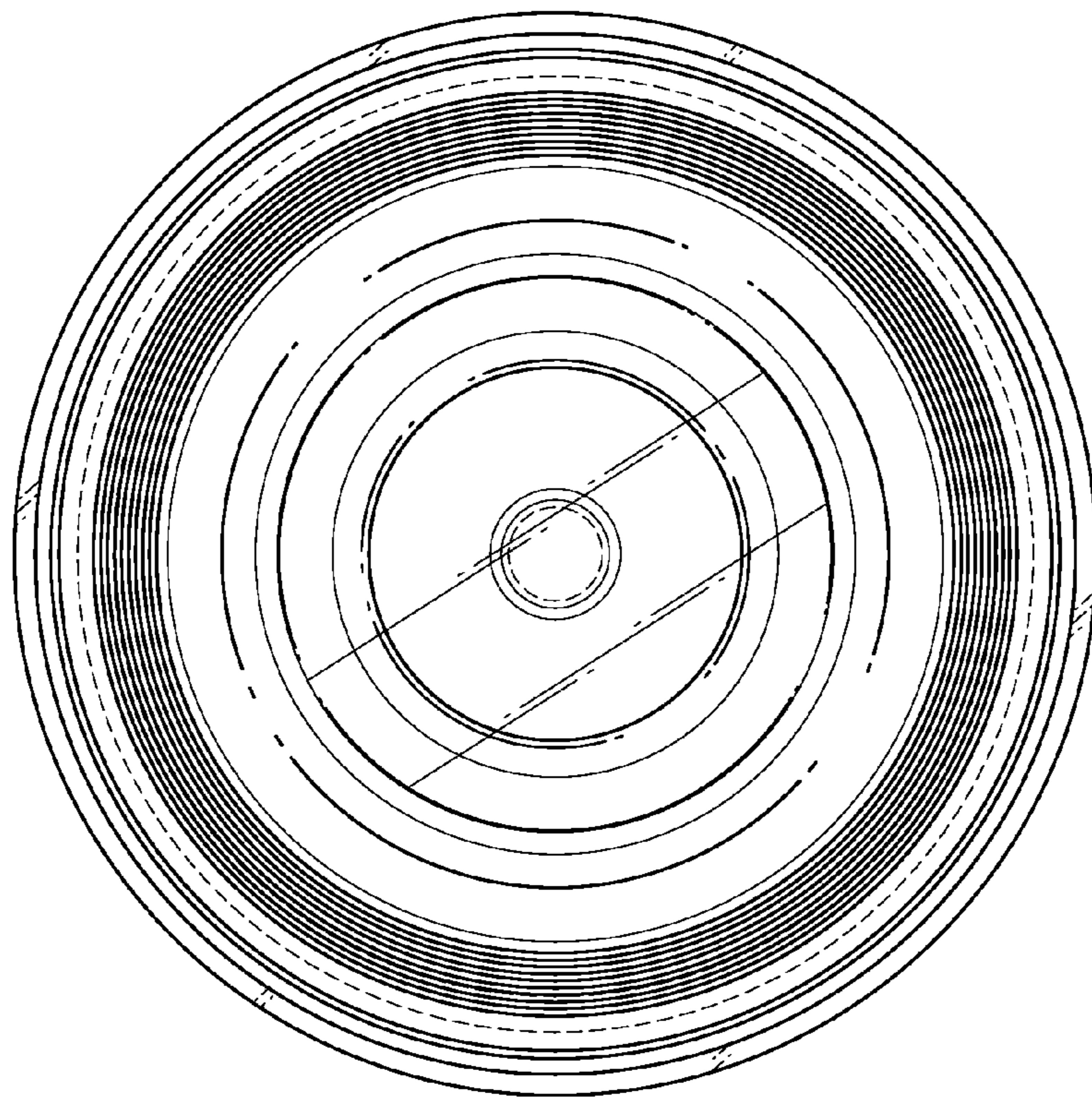


FIG. 4