



US00D688522S

(12) **United States Design Patent**
Pablo

(10) **Patent No.:** **US D688,522 S**

(45) **Date of Patent:** **** Aug. 27, 2013**

(54) **FILTERED WATER BOTTLE**

(76) Inventor: **Jeanette Pablo**, Washington, DC (US)

(**) Term: **14 Years**

(21) Appl. No.: **29/413,779**

(22) Filed: **Feb. 21, 2012**

(51) **LOC (9) Cl.** **07-01**

(52) **U.S. Cl.**
USPC **D7/510; D7/511; D7/523; D3/202**

(58) **Field of Classification Search**
USPC **D7/523, 532, 531, 509, 510, 511;**
215/10, 384; D3/202, 215; 224/148.6, 148.5
See application file for complete search history.

(56) **References Cited**

U.S. PATENT DOCUMENTS

3,820,695	A	*	6/1974	Pecjak	244/148.6
D379,119	S	*	5/1997	Wolfe et al.	D3/229
6,401,993	B1	*	6/2002	Andrino	224/148.5
D556,509	S	*	12/2007	Bonini	D7/507
D594,088	S	*	6/2009	Pritchard	D23/207
D622,954	S	*	9/2010	Porter-Young	D3/202

D625,560	S	*	10/2010	Olson et al.	D7/510
D648,177	S	*	11/2011	Eyal	D7/510
D657,629	S	*	4/2012	Olson et al.	D7/510
8,371,244	B2	*	2/2013	Krasner	119/72.5

* cited by examiner

Primary Examiner — Marianne Pandozzi

(74) *Attorney, Agent, or Firm* — Dale J. Ream

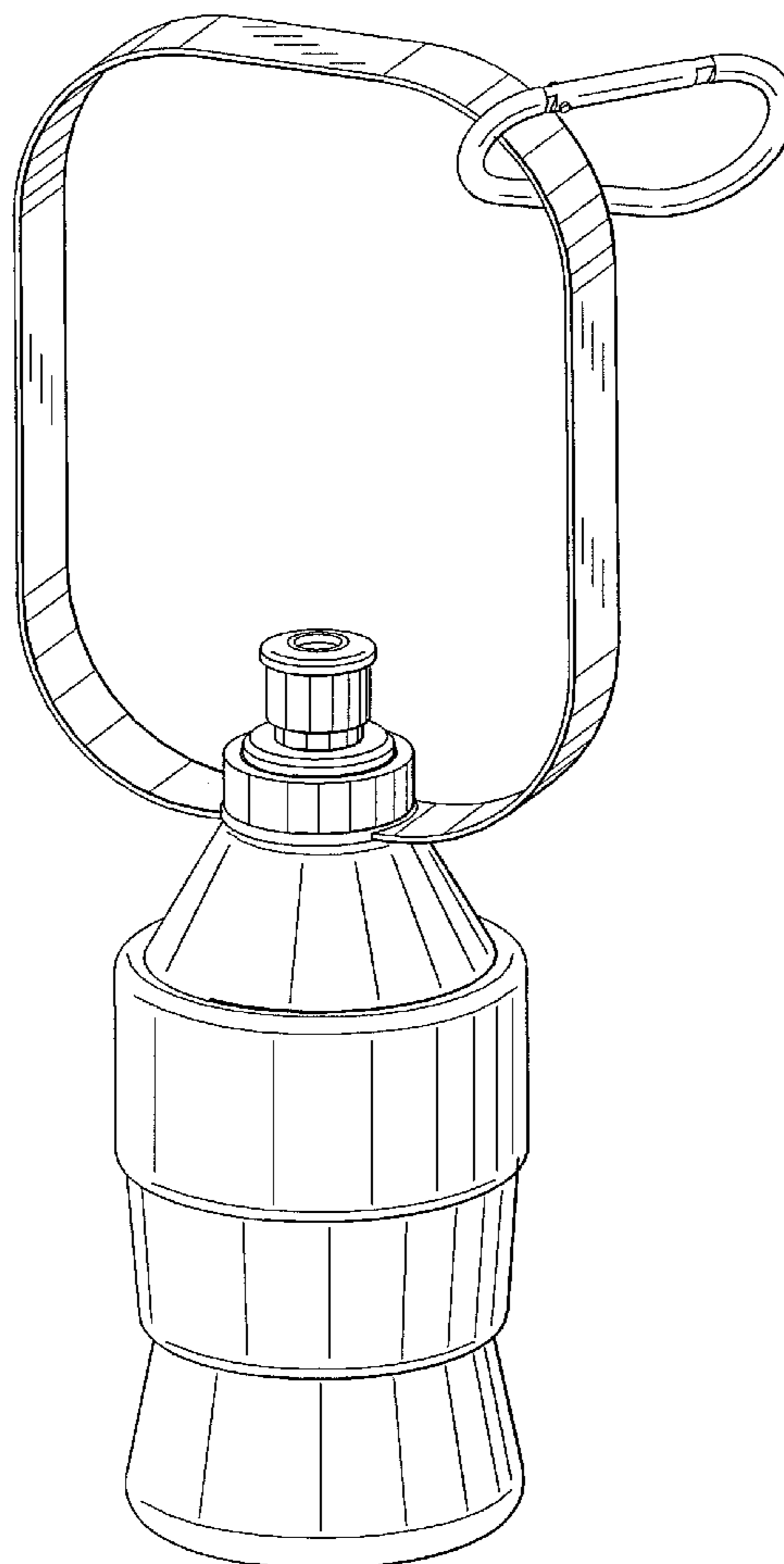
(57) **CLAIM**

The ornamental design for a filtered water bottle, as shown and described.

DESCRIPTION

FIG. 1 is a perspective view of a filtered water bottle showing my new design;
FIG. 2 is a front view thereof;
FIG. 3 is a back view thereof;
FIG. 4 is a left side view thereof;
FIG. 5 is a right side view thereof;
FIG. 6 is a top view thereof;
FIG. 7 is a bottom view thereof; and,
FIG. 8 is an exploded perspective view thereof.

1 Claim, 6 Drawing Sheets



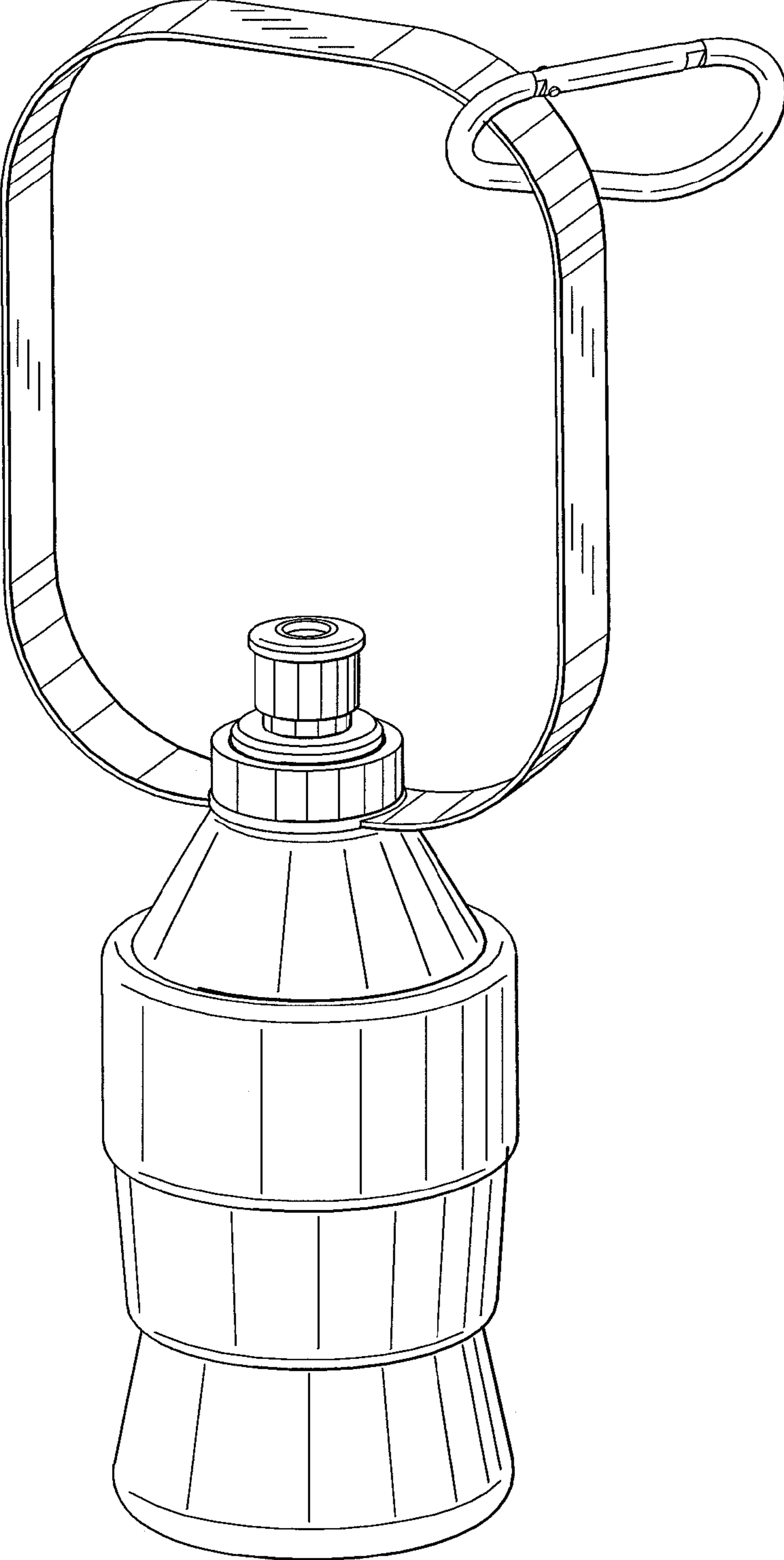


Fig. 1

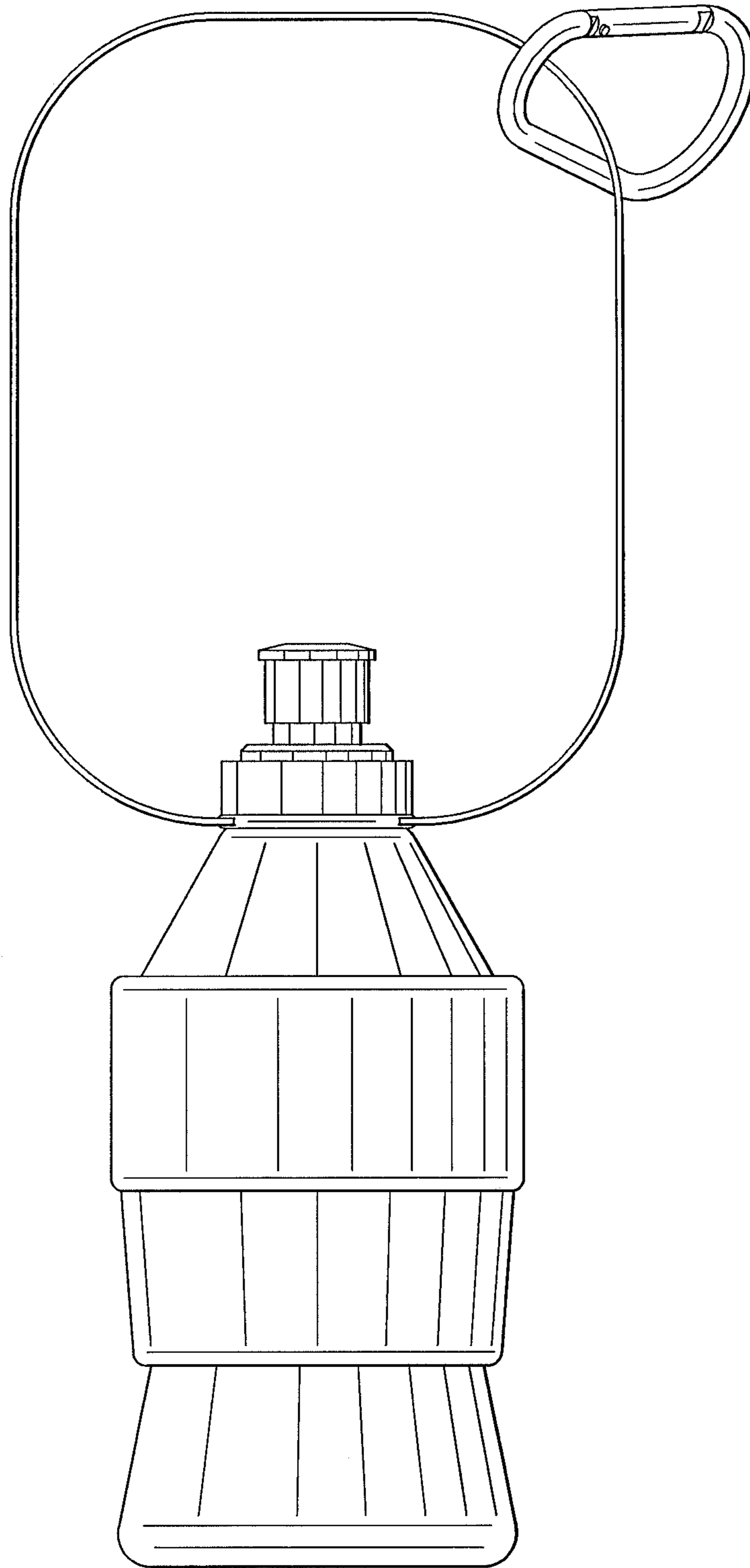


Fig. 2

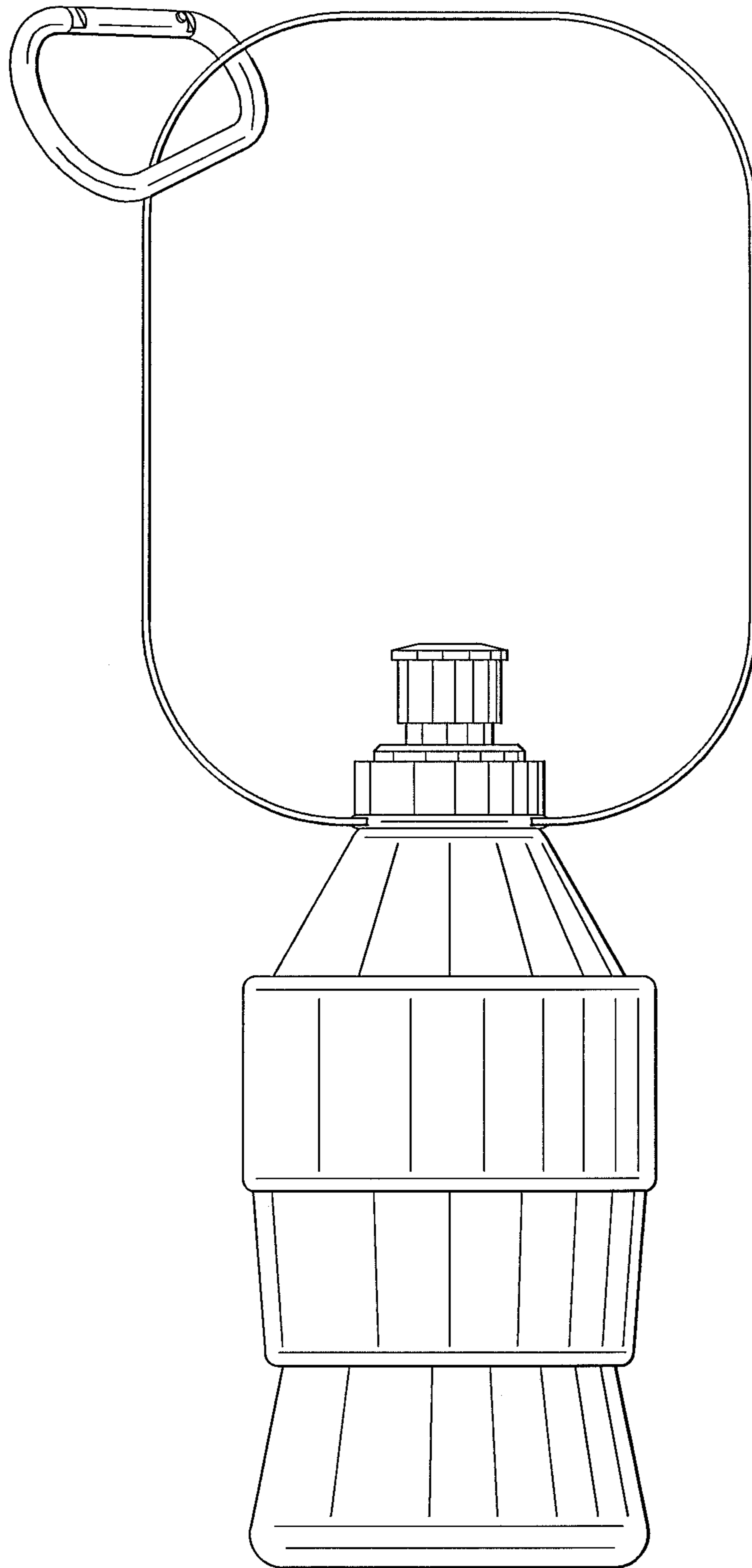


Fig. 3

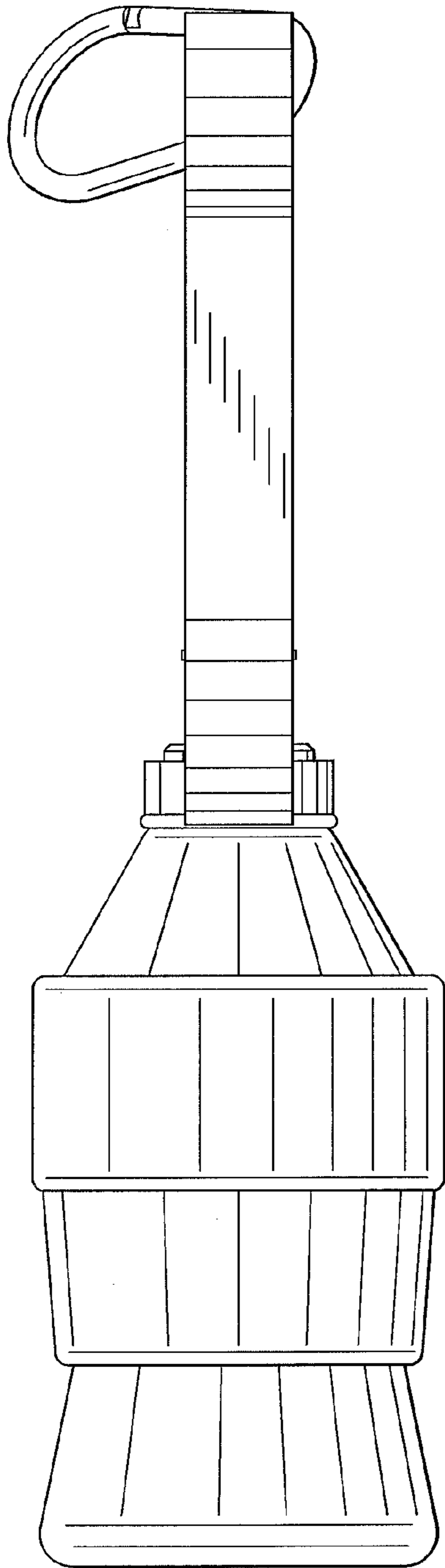


Fig. 4

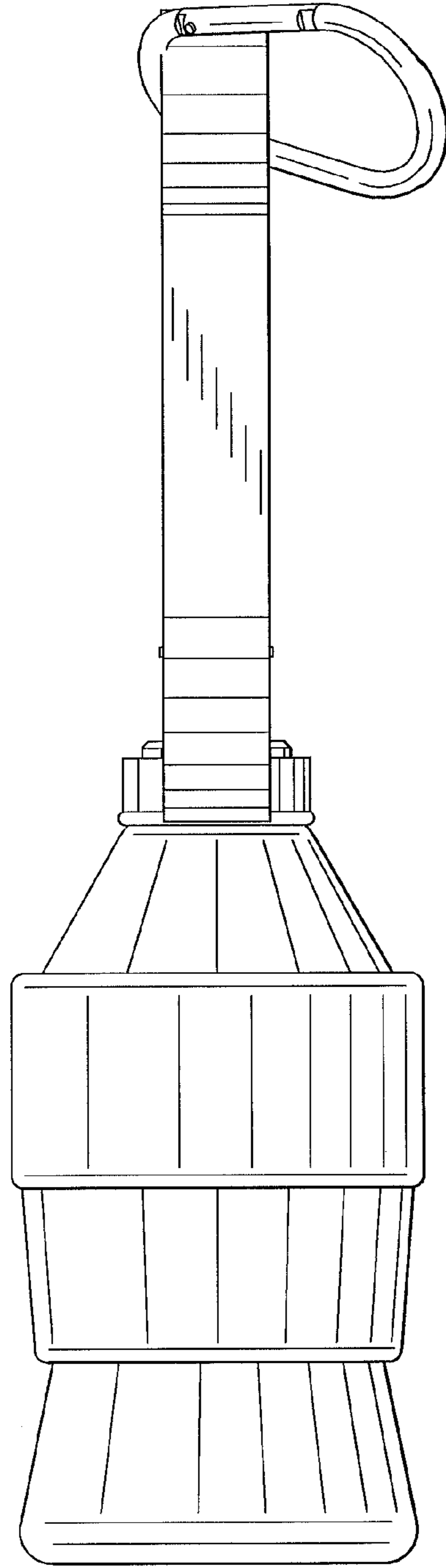


Fig. 5

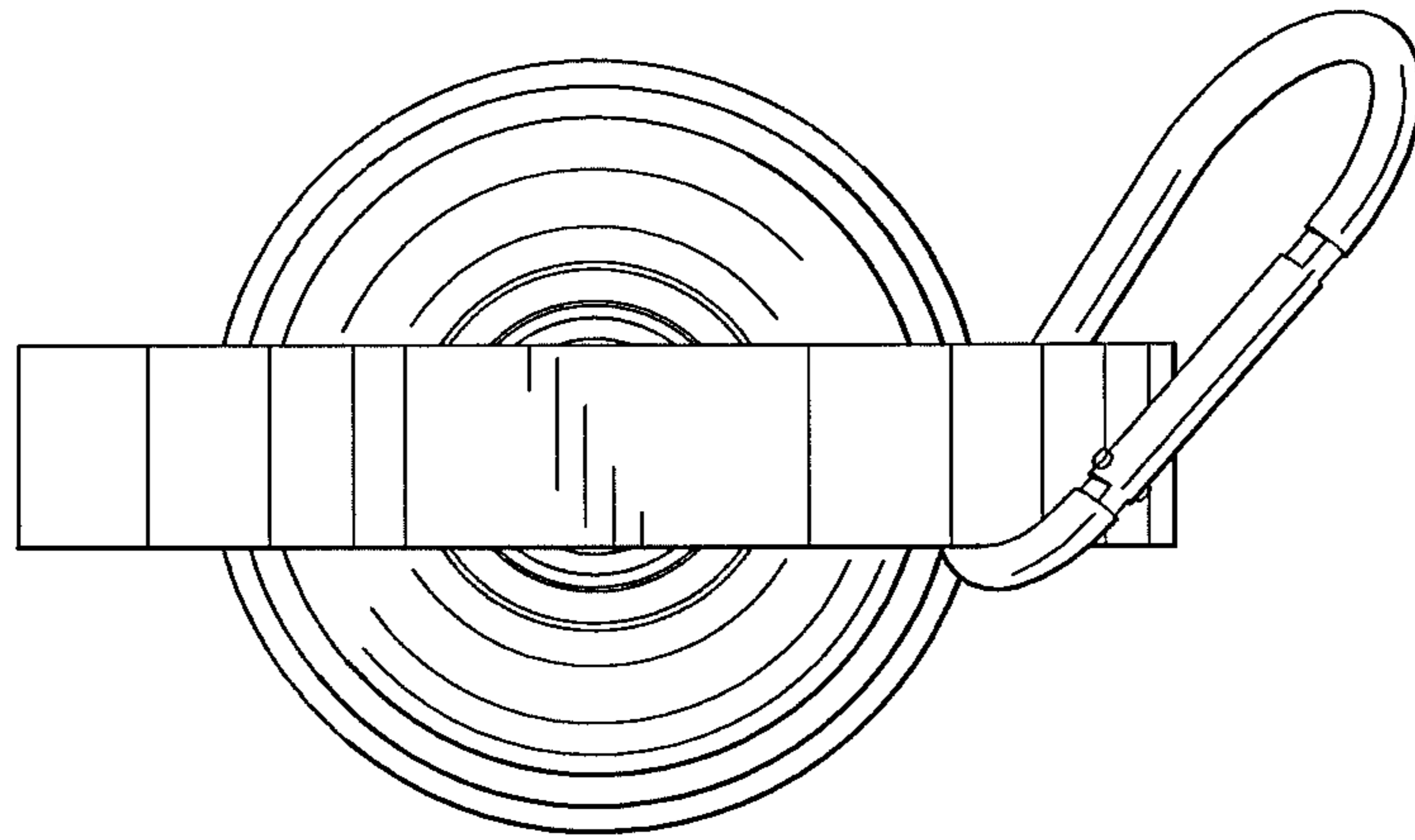


Fig. 6

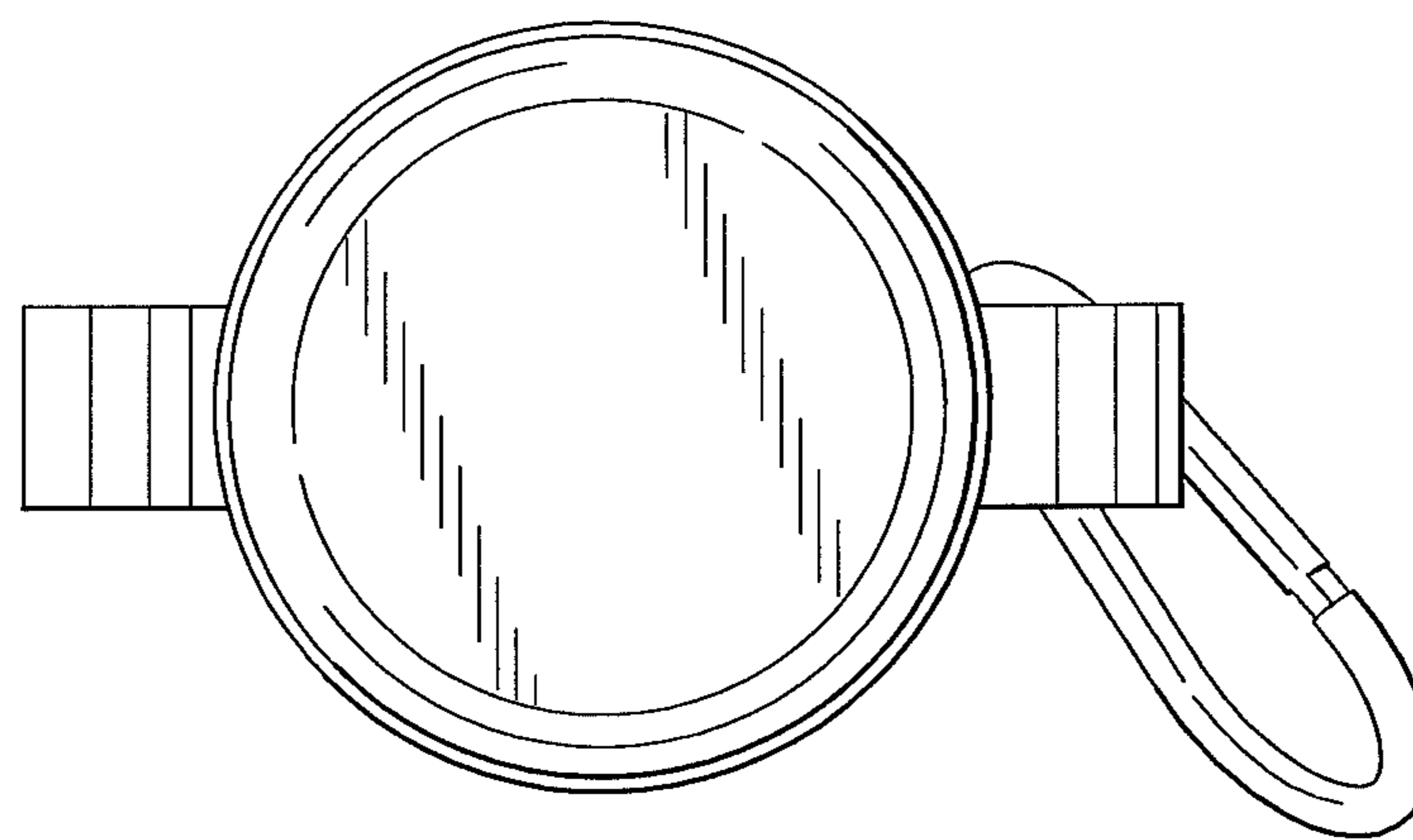


Fig. 7

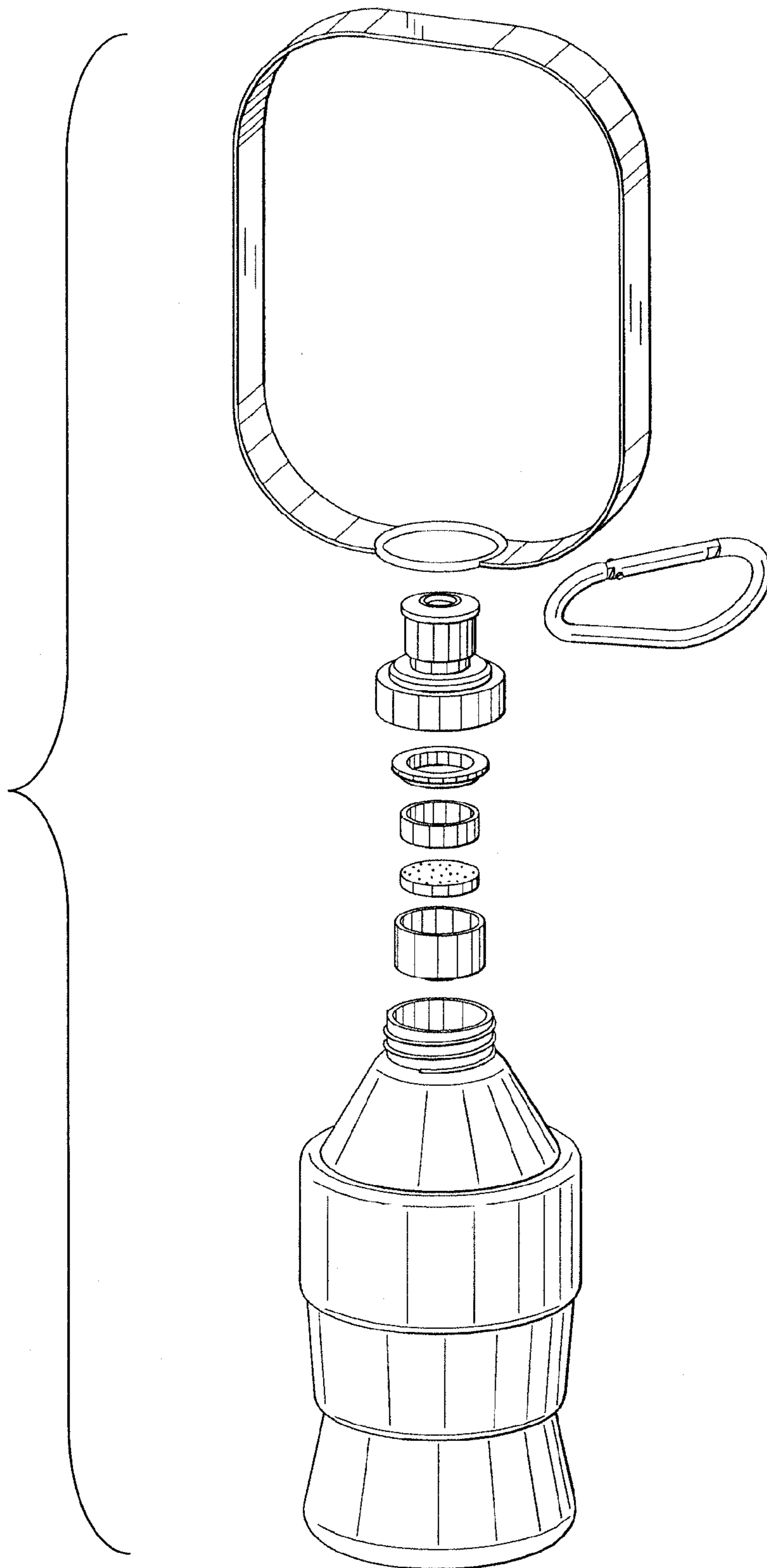


Fig. 8