



US00D688521S

(12) **United States Design Patent**
Lees

(10) **Patent No.:** **US D688,521 S**

(45) **Date of Patent:** **** Aug. 27, 2013**

- (54) **CUP**
- (75) Inventor: **Laura Maria Lees**, Blacklick, OH (US)
- (73) Assignee: **Bath & Body Works Brand Management, Inc.**, Reynoldsburg, OH (US)
- (**) Term: **14 Years**
- (21) Appl. No.: **29/413,691**
- (22) Filed: **Feb. 17, 2012**
- (51) **LOC (9) Cl.** **07-01**
- (52) **U.S. Cl.**
USPC **D7/510; D7/532**
- (58) **Field of Classification Search**
USPC D7/536, 533, 300, 510, 523, 507,
D7/511, 509, 300.1, 528, 526, 525, 530, 531,
D7/532; 220/597.17, 592.16, 495.03; 426/88
See application file for complete search history.

- D481,583 S 11/2003 Fino et al.
- D488,672 S * 4/2004 Oas D7/507
- D490,655 S 6/2004 Zettle et al.
- D495,199 S 8/2004 Matthews
- D505,592 S 5/2005 Liu
- D532,242 S 11/2006 Aikens
- 7,229,181 B2 6/2007 Diak et al.
- D547,123 S 7/2007 Sandberg
- D548,526 S 8/2007 Huffman et al.
- D572,083 S 7/2008 Tien
- D577,260 S 9/2008 Bodum
- D581,739 S 12/2008 Bodum
- 7,484,639 B2 2/2009 Maravich et al.
- D613,554 S * 4/2010 Koennecke D7/509
- D614,448 S 4/2010 Cahen

(Continued)

OTHER PUBLICATIONS

Customizable Cold Cup, 16 fl oz; <http://www.starbucksstore.com/Customizable-Cold-Cup%2C-16-fl-oz/011010801,default>.

(Continued)

Primary Examiner — Susan Bennett Hattan

Assistant Examiner — Janice Hallmark

(74) *Attorney, Agent, or Firm* — Ward & Zinna, LLC

(56) **References Cited**

U.S. PATENT DOCUMENTS

- D71,042 S 9/1926 Atterholt
- 2,051,446 A 8/1936 Ice
- D112,560 S 12/1938 Cunningham
- 2,613,107 A 10/1952 Hartnett
- 2,979,267 A 4/1961 Miller
- 3,349,950 A 10/1967 Wanderer
- 4,121,835 A 10/1978 Garabedian
- 4,494,668 A 1/1985 Lottick
- D289,484 S 4/1987 Forquer et al.
- 5,039,012 A 8/1991 Inaba
- 5,381,924 A 1/1995 Kiefel
- D437,185 S 2/2001 Freed
- D441,252 S 5/2001 Gitschlag
- D442,029 S 5/2001 Otake
- 6,554,154 B1 * 4/2003 Chauhan et al. 220/671
- D475,891 S 6/2003 Bin
- 6,588,654 B2 * 7/2003 Nakashima 229/402

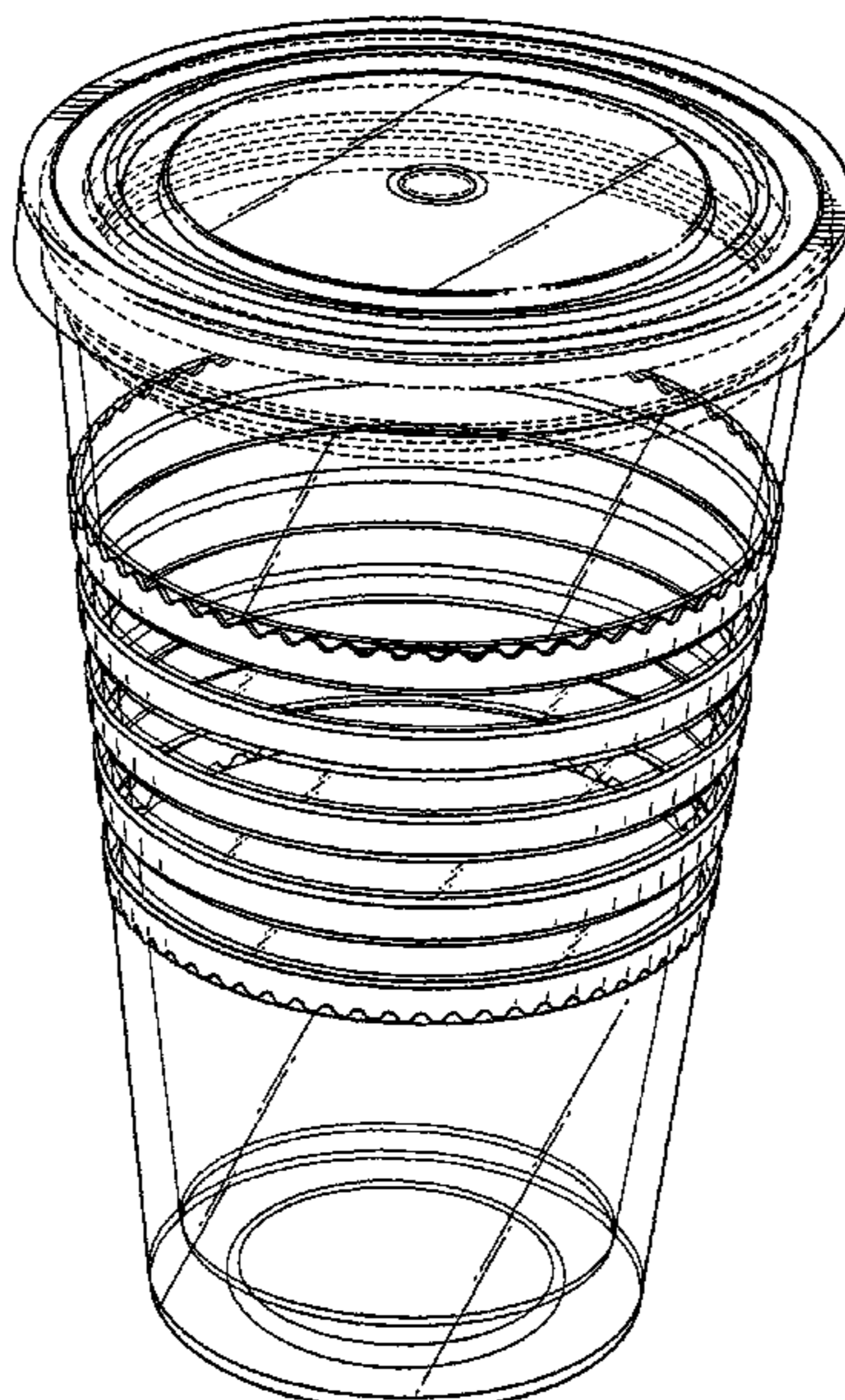
(57) **CLAIM**

The ornamental design for a cup, as shown and described.

DESCRIPTION

FIG. 1 is a front perspective view of the cup according to the present invention;
FIG. 2 is a side elevation view thereof;
FIG. 3 is a top plan view thereof; and,
FIG. 4 is a bottom plan view thereof.
The broken lines shown in the drawings are included for the purpose of illustrating the environment of the design and form no part of the claimed design.

1 Claim, 4 Drawing Sheets



(56)

References Cited

U.S. PATENT DOCUMENTS

D618,964 S 7/2010 Eisenhardt
D619,852 S 7/2010 Bodum
D624,789 S 10/2010 Bodum
D638,243 S 5/2011 Carlson et al.
D638,244 S 5/2011 Wallace
D640,094 S * 6/2011 Carlson et al. D7/510
D642,862 S 8/2011 Tobias
D642,863 S 8/2011 Tobias
D642,864 S 8/2011 Tobias
D648,985 S * 11/2011 Chiu et al. D7/510
D652,681 S * 1/2012 Monugian D7/510
D655,982 S * 3/2012 Liu D7/509
D673,421 S * 1/2013 Chiu et al. D7/396.2
D674,241 S * 1/2013 Bickert et al. D7/510

2005/0111212 A1 5/2005 Diak et al.
2008/0128529 A1 6/2008 Fernandez
2008/0264959 A1 10/2008 Unda et al.
2009/0256000 A1 10/2009 Wallace
2011/0062168 A1 3/2011 Chow et al.

OTHER PUBLICATIONS

Stir 'n Sip Cup; <http://www.copco.com/store/site/product.cfm/id/DCE6424C-1E0B-C910-EAAD89E8980>.
Copco Eco Sierra Ice To-Go Cup; <http://www.bigcatcoffees.com/item.cfm?P=406>.
Straw coffee mug. double wall clear coffee mug. cold coffee mug;
http://www.alibaba.com/product-gs/435139707/Straw_coffee_mug_double_wall_clear.ht.

* cited by examiner

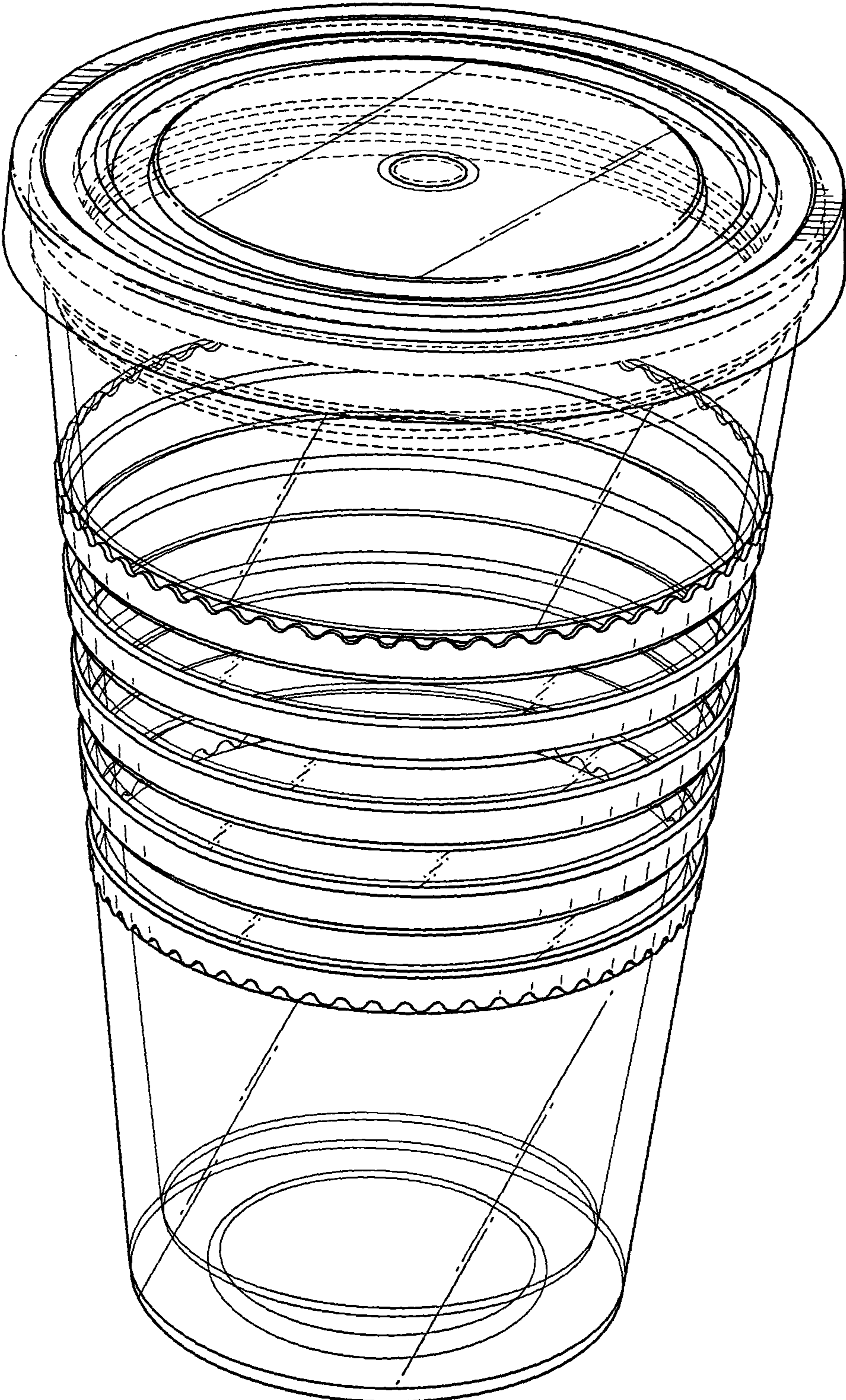


FIG. 1

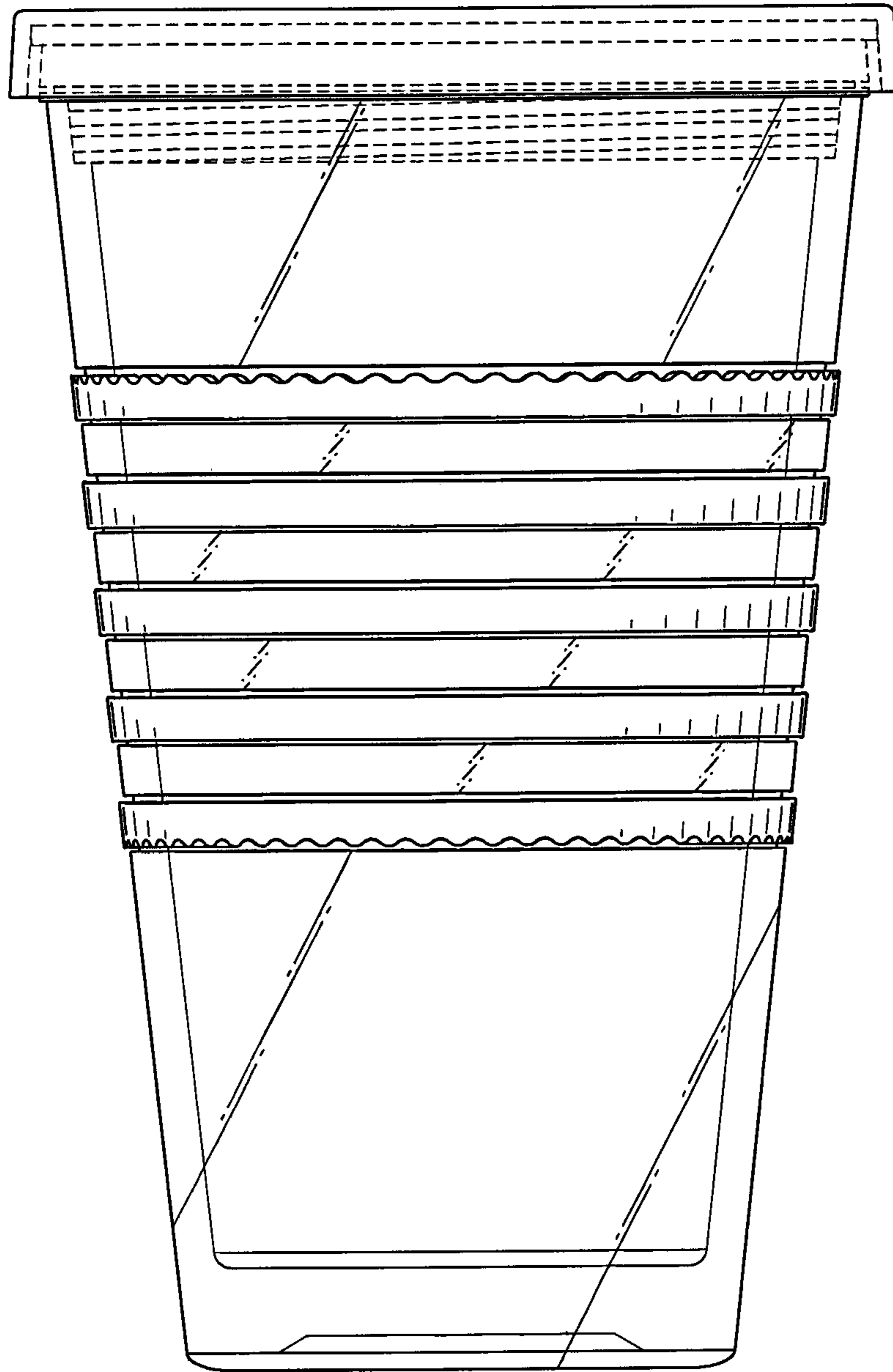


FIG.2

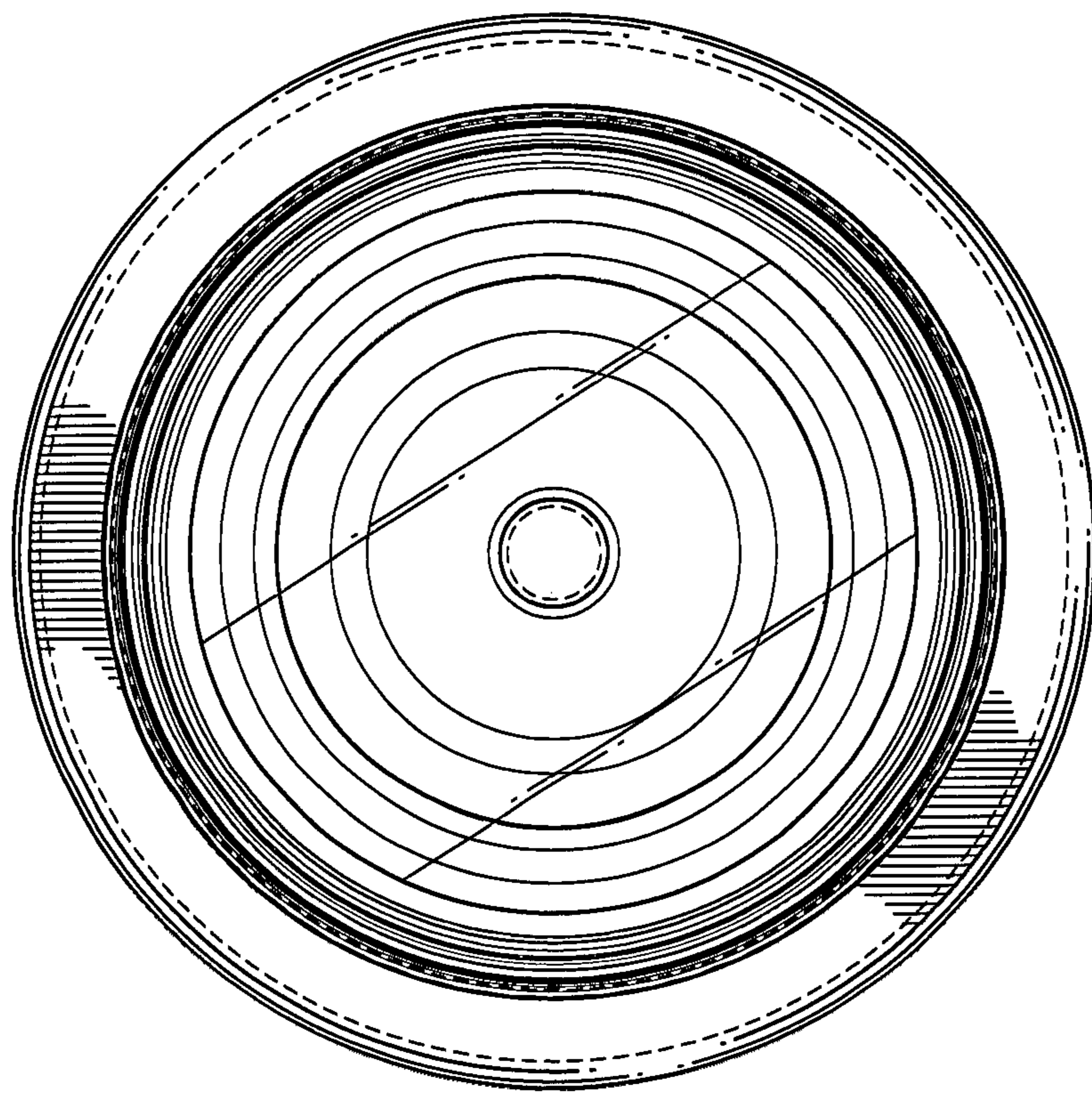


FIG. 3

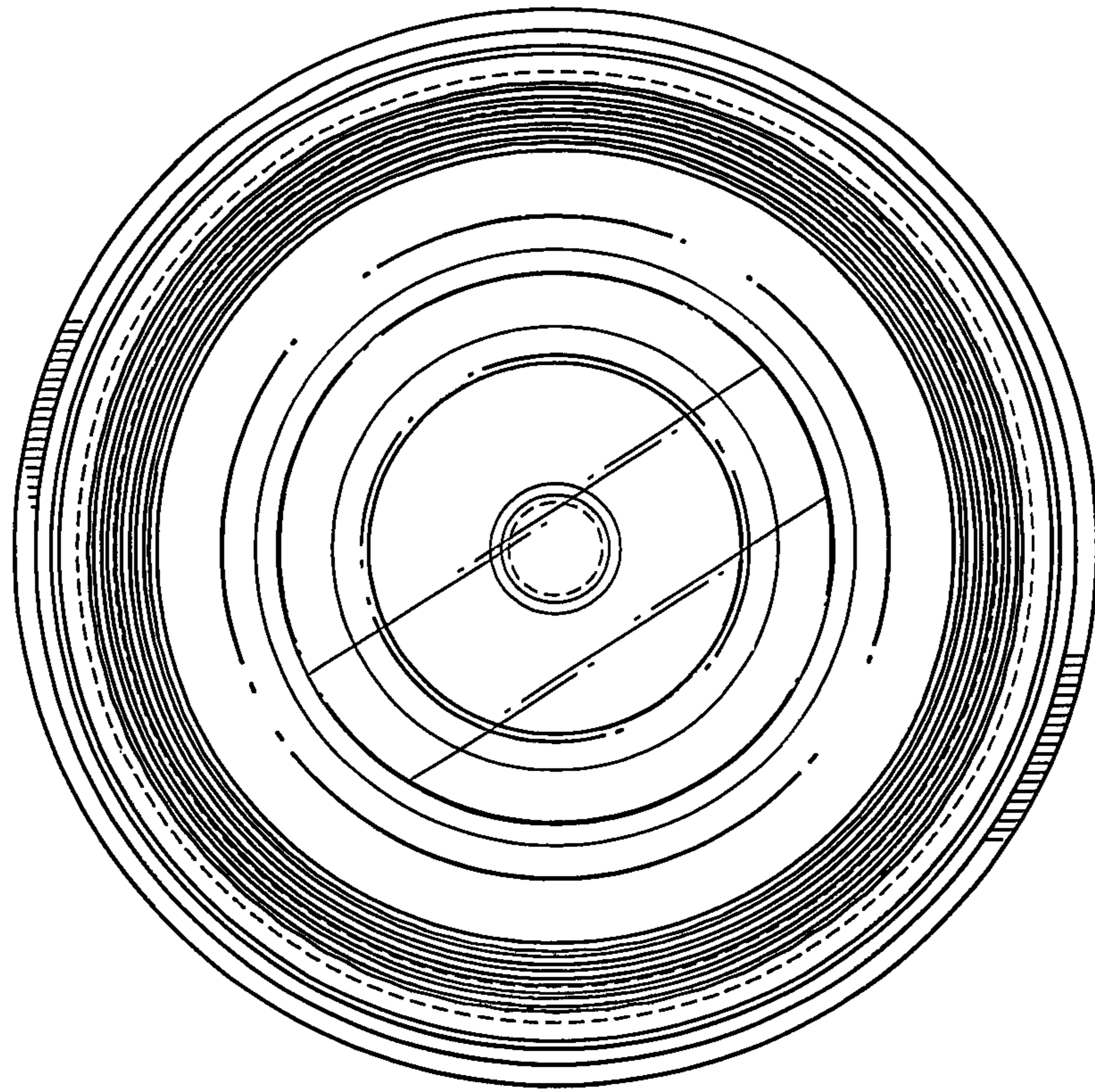


FIG. 4