



US00D688520S

(12) **United States Design Patent**
Lin

(10) **Patent No.:** **US D688,520 S**

(45) **Date of Patent:** **** Aug. 27, 2013**

(54) **SHAKE BOTTLE**

(76) Inventor: **Zhigang Lin**, Zhejiang (CN)

(**) Term: **14 Years**

(21) Appl. No.: **29/418,639**

(22) Filed: **Apr. 18, 2012**

(30) **Foreign Application Priority Data**

Mar. 15, 2012 (CN) 2012 3 0060520

(51) **LOC (9) Cl.** **07-01**

(52) **U.S. Cl.**
USPC **D7/507**; D7/300.1; D7/510

(58) **Field of Classification Search**
USPC D7/300.1, 510, 511, 509, 507; 222/547,
222/129.1; 220/703, 705, 713
See application file for complete search history.

(56) **References Cited**

U.S. PATENT DOCUMENTS

D189,714	S	*	2/1961	Ebstein	D7/300.1
3,760,972	A	*	9/1973	McKirnan	220/592.16
3,820,692	A	*	6/1974	Swett et al.	222/547
D233,116	S	*	10/1974	Swett et al.	D7/300.1
D421,547	S	*	3/2000	Demers	D7/510
D510,235	S	*	10/2005	Sorensen	D7/510
D513,916	S	*	1/2006	Namee	D7/300.1
D555,428	S	*	11/2007	Tulett	D7/510
D580,227	S	*	11/2008	Roth et al.	D7/510
D632,918	S	*	2/2011	Gordon	D7/300.1
D634,160	S	*	3/2011	Cetera	D7/510
D634,161	S	*	3/2011	Roth et al.	D7/510
D644,065	S	*	8/2011	Llerena	D7/510
D646,919	S	*	10/2011	Nilsson	D7/300.1
D653,493	S	*	2/2012	Enghard	D7/300.1
D655,131	S	*	3/2012	Nilsson	D7/392.1

D656,357	S	*	3/2012	Enghard	D7/300.1
D660,083	S	*	5/2012	Tyler et al.	D7/510
D666,047	S	*	8/2012	Lin	D7/300.1

* cited by examiner

Primary Examiner — Marianne Pandozzi

(74) *Attorney, Agent, or Firm* — Global IP Services; Tianhua Gu

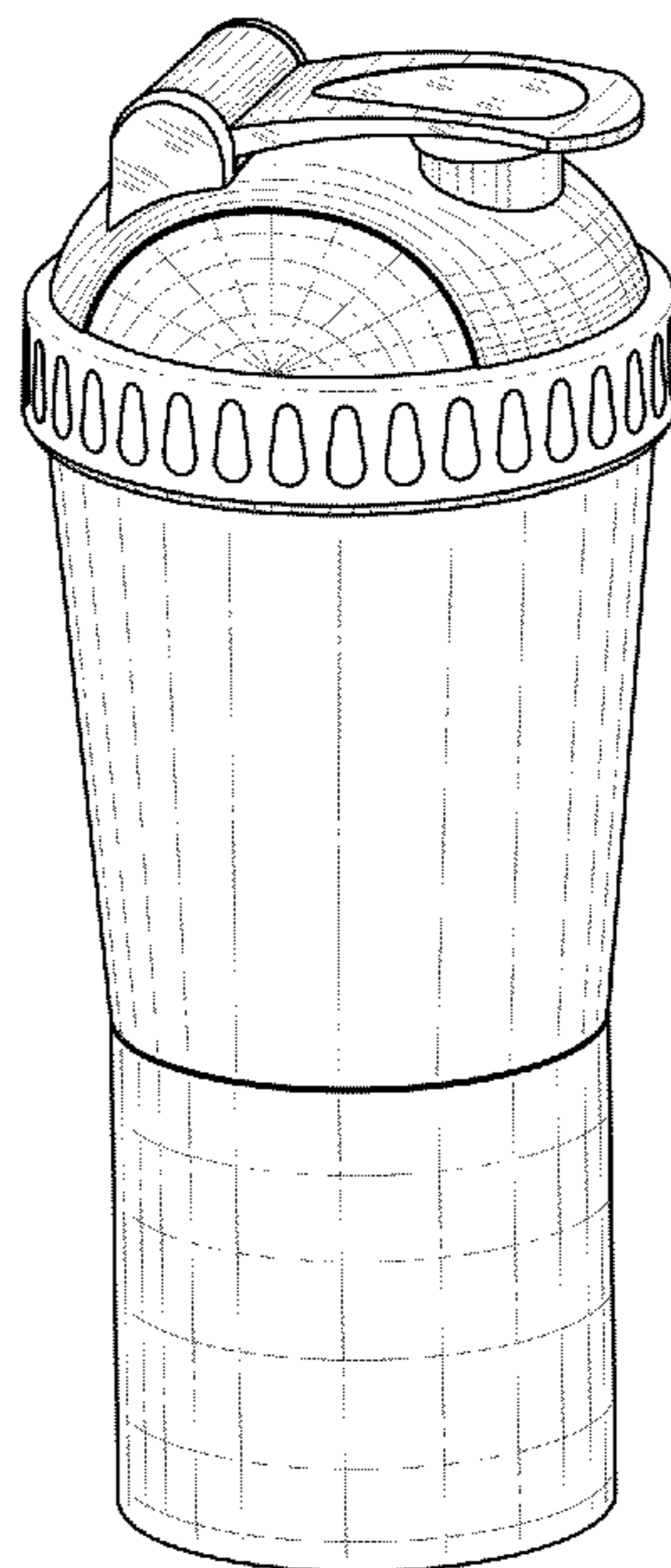
(57) **CLAIM**

The ornamental design for a shake bottle, as shown and described.

DESCRIPTION

FIG. 1 is a front elevation view of a shake bottle showing my new design;
 FIG. 4 is a rear elevation view thereof;
 FIG. 3 is a right side elevation view thereof;
 FIG. 4 is a left side elevation view thereof;
 FIG. 5 is a bottom plan view thereof;
 FIG. 6 is a top plan view thereof;
 FIG. 7 is a front perspective view thereof;
 FIG. 8 is a front perspective view thereof; in which a plug for a drinking mouth is opened;
 FIG. 9 is an exploded front perspective view thereof of FIG. 7 and a jar with a opened cover, which jar is normally inside a bottom portion of the shake bottle;
 FIG. 10 is an exploded front perspective view thereof of FIG. 7 and a jar having three disjunctive spaces with a opened cover, which jar is normally inside a bottom portion of the shake bottle; and,
 FIG. 11 is an exploded front perspective view thereof; in which a upper portion and the bottom portion of the shake bottle are separated, both portions can be combined together by a screw connection, the jar inside the bottom portion is taken out too.

1 Claim, 7 Drawing Sheets



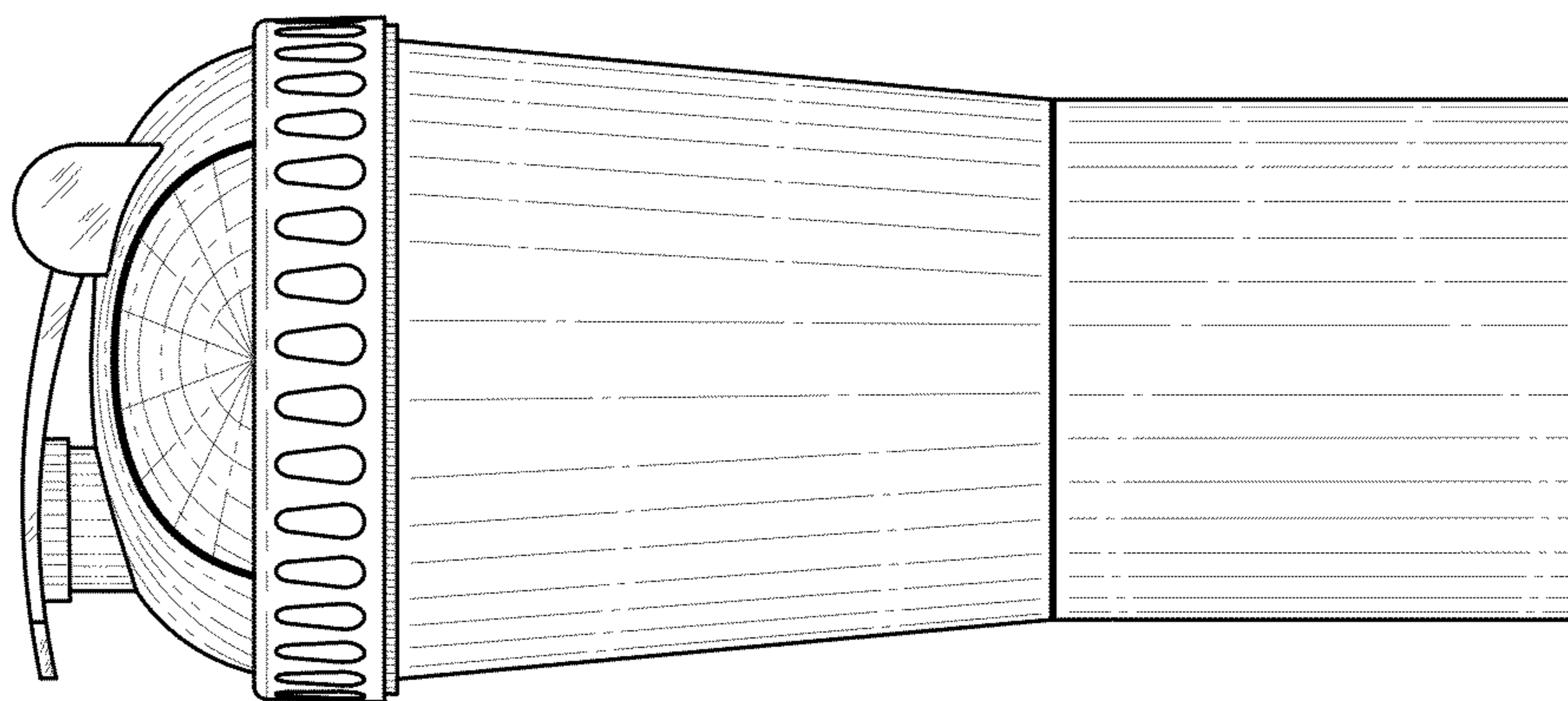


Fig. 2

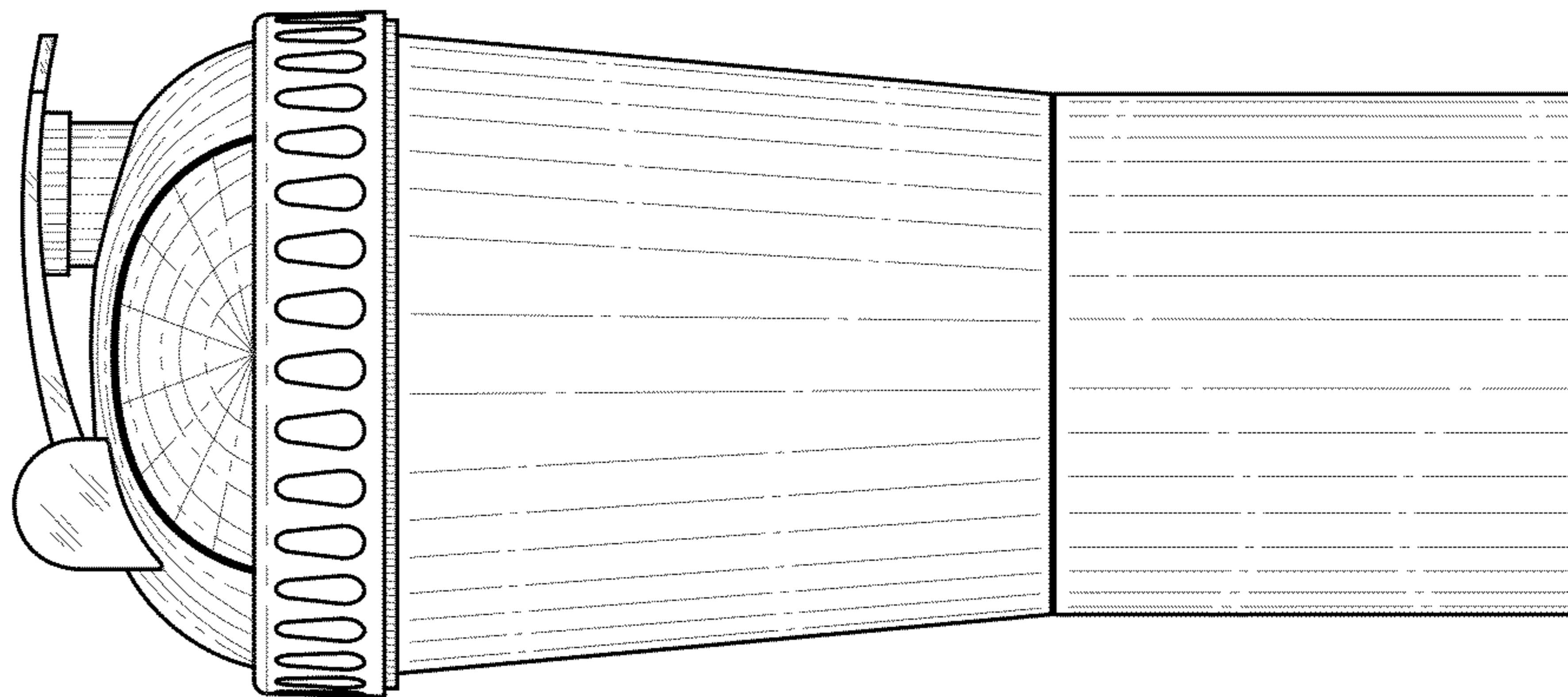


Fig. 1

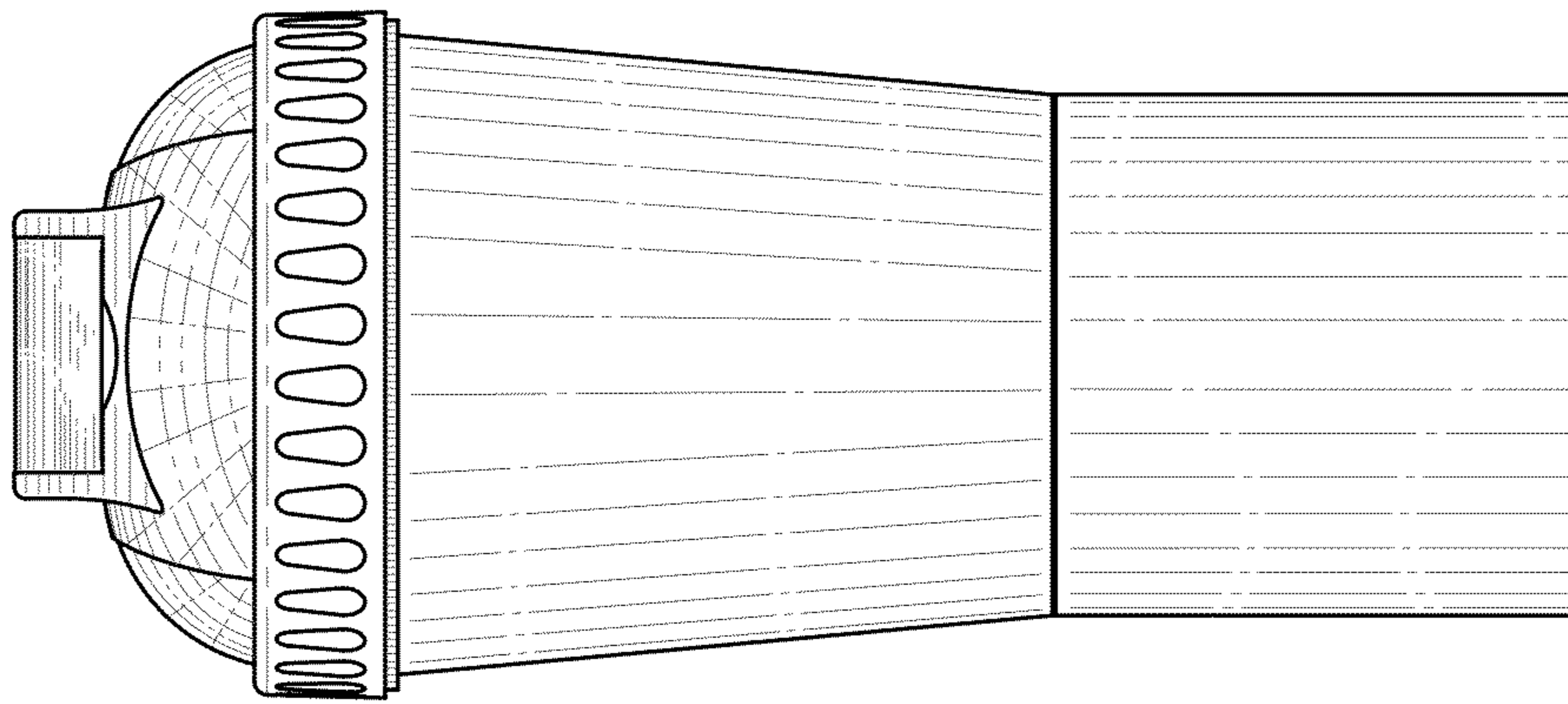


Fig. 4

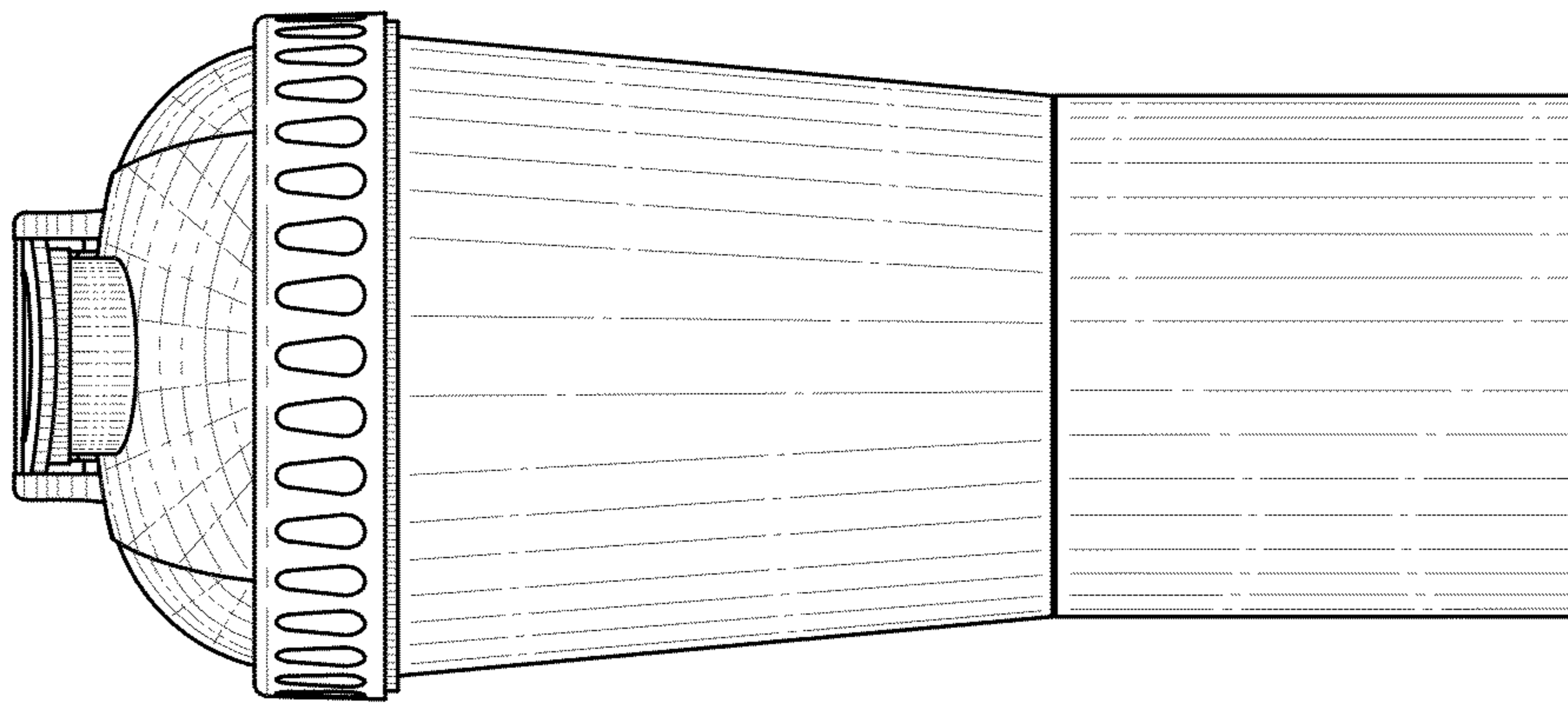


Fig. 3

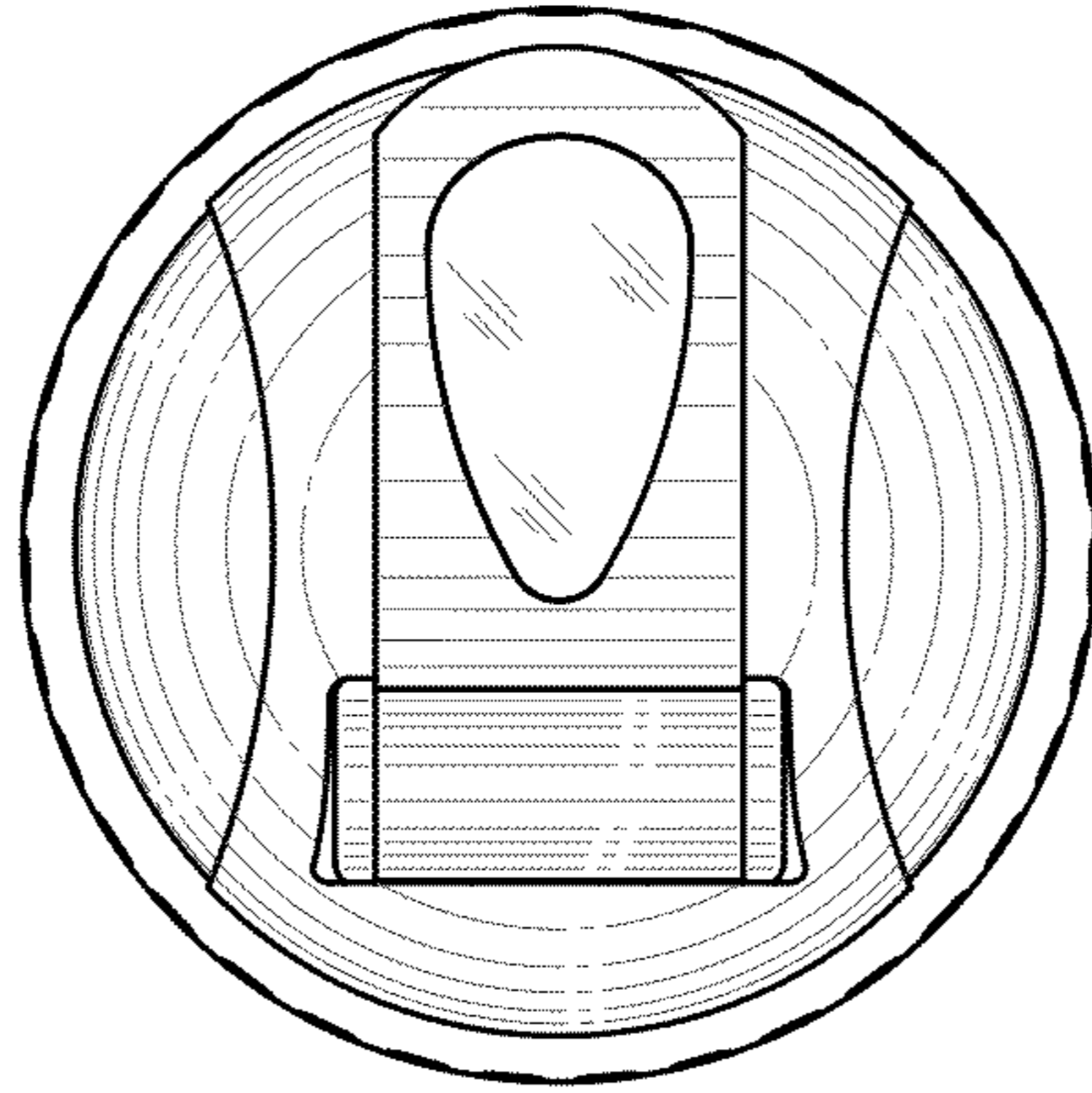


Fig. 6

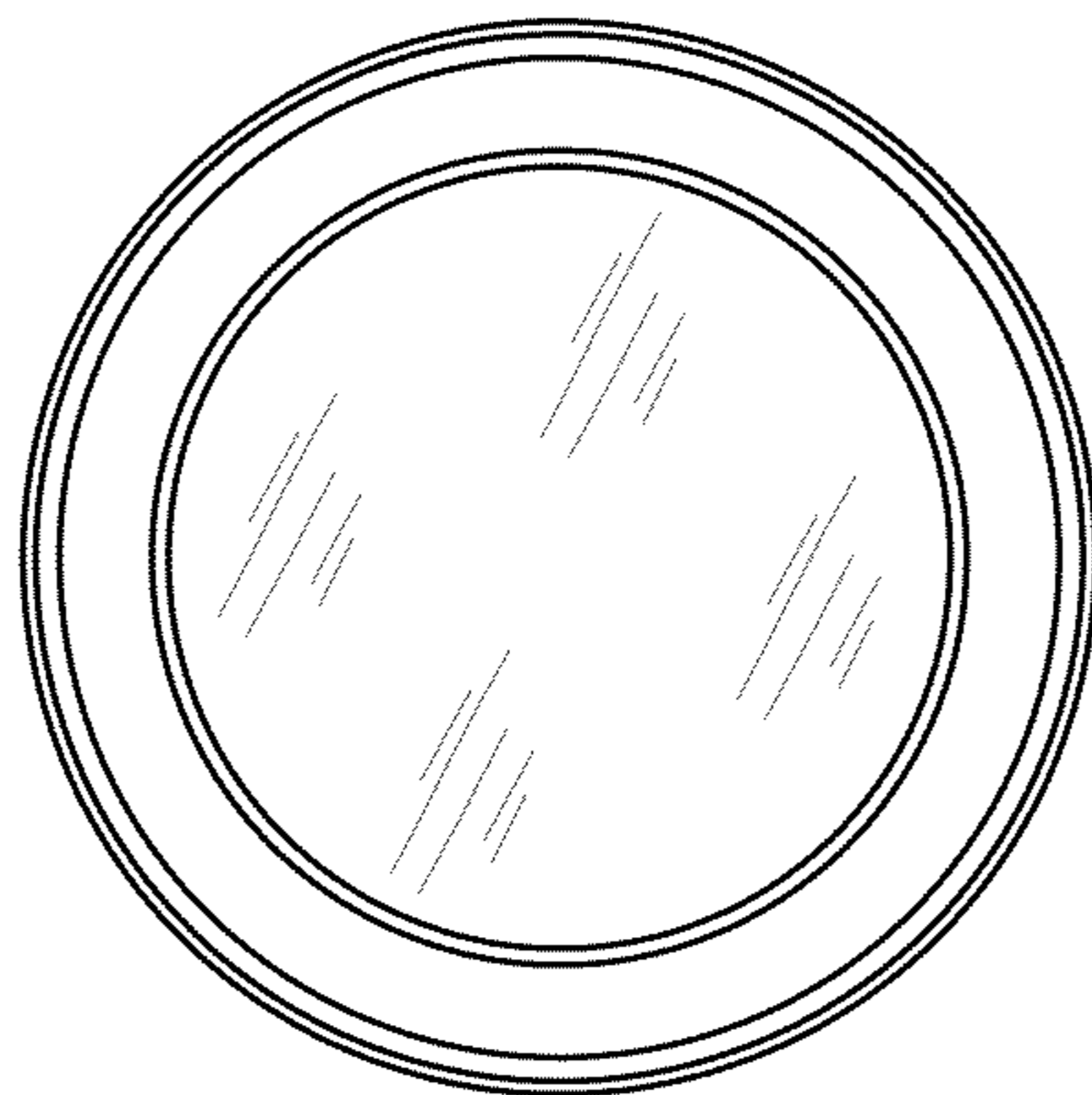


Fig. 5

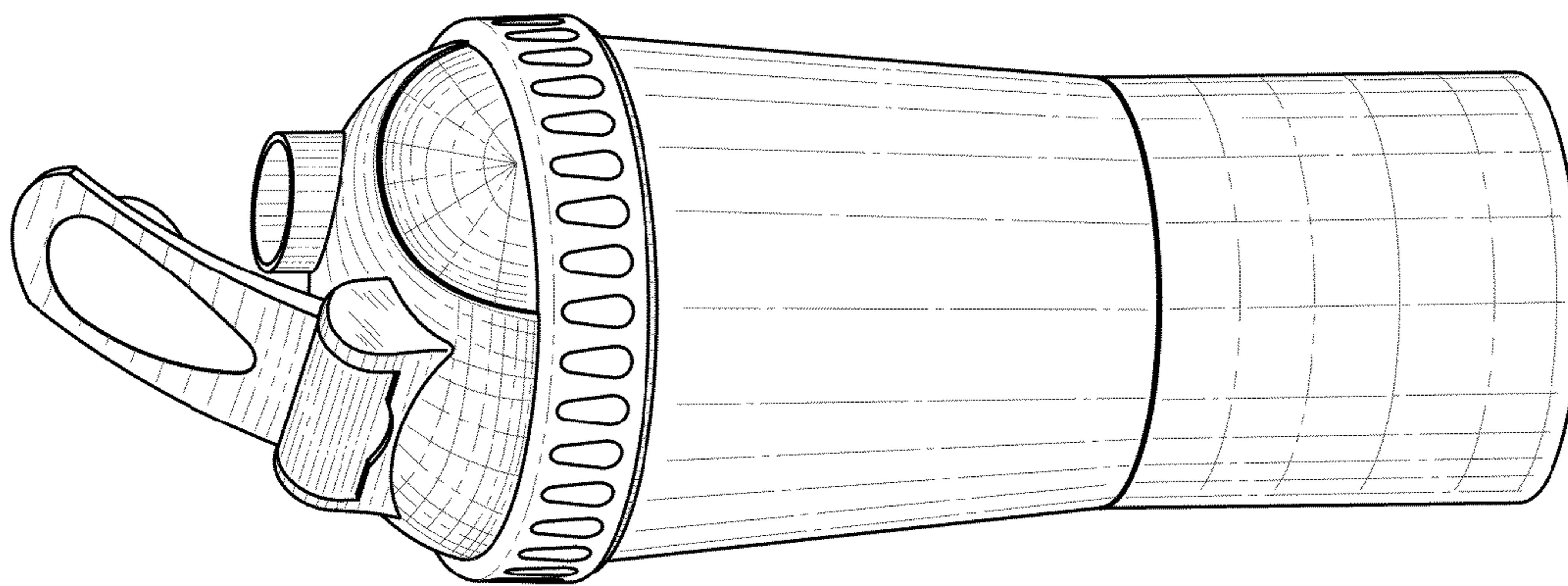


Fig. 8

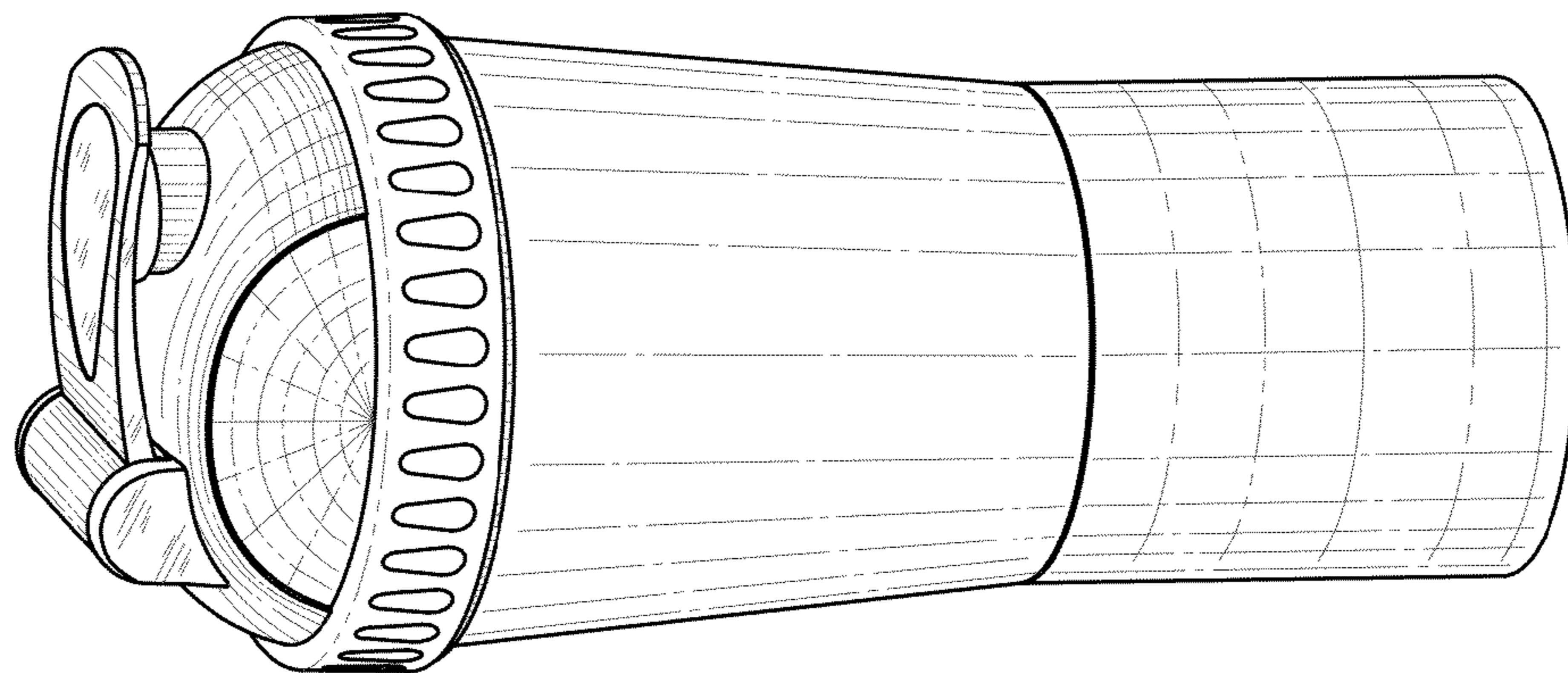


Fig. 7

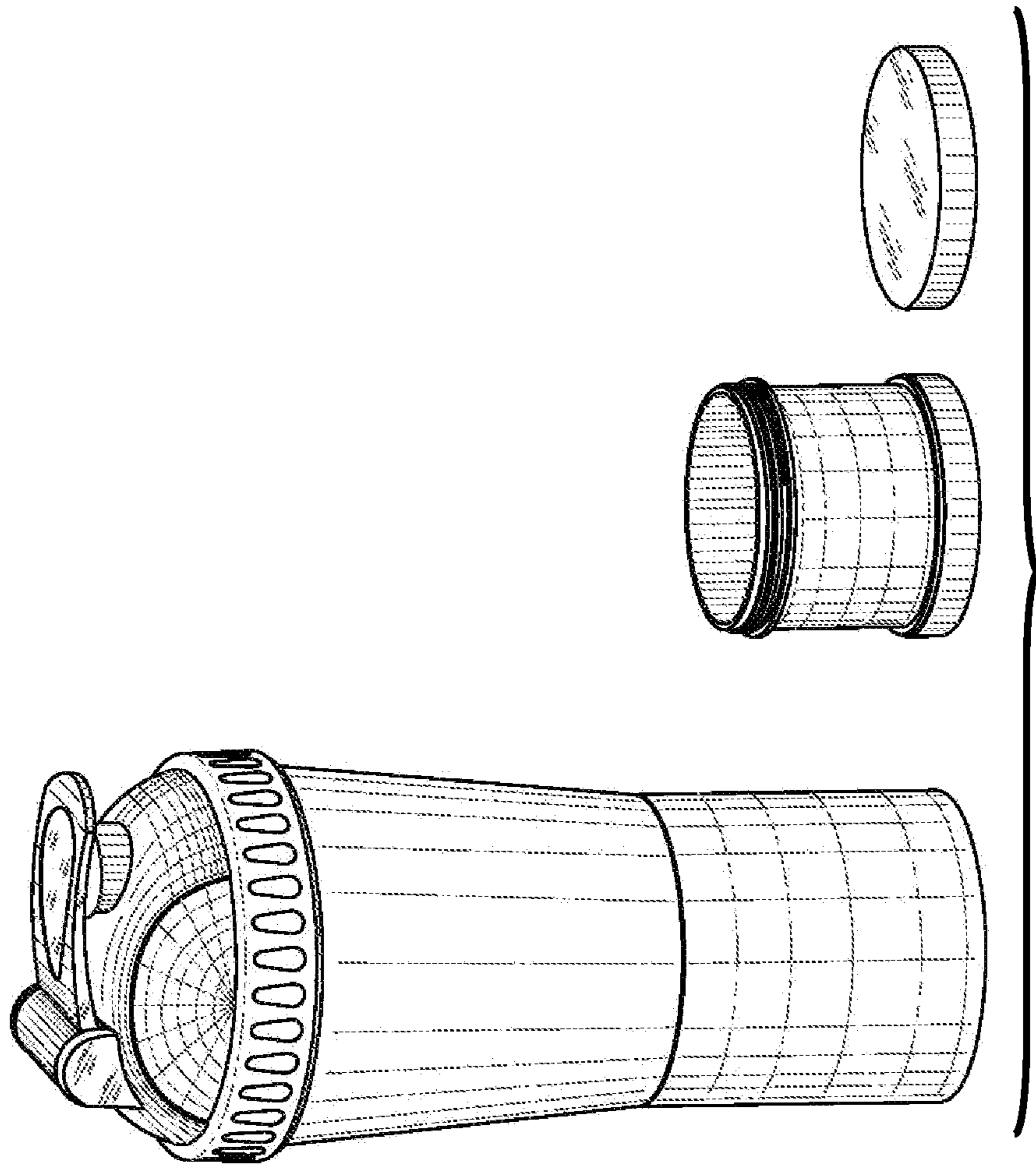


Fig. 9

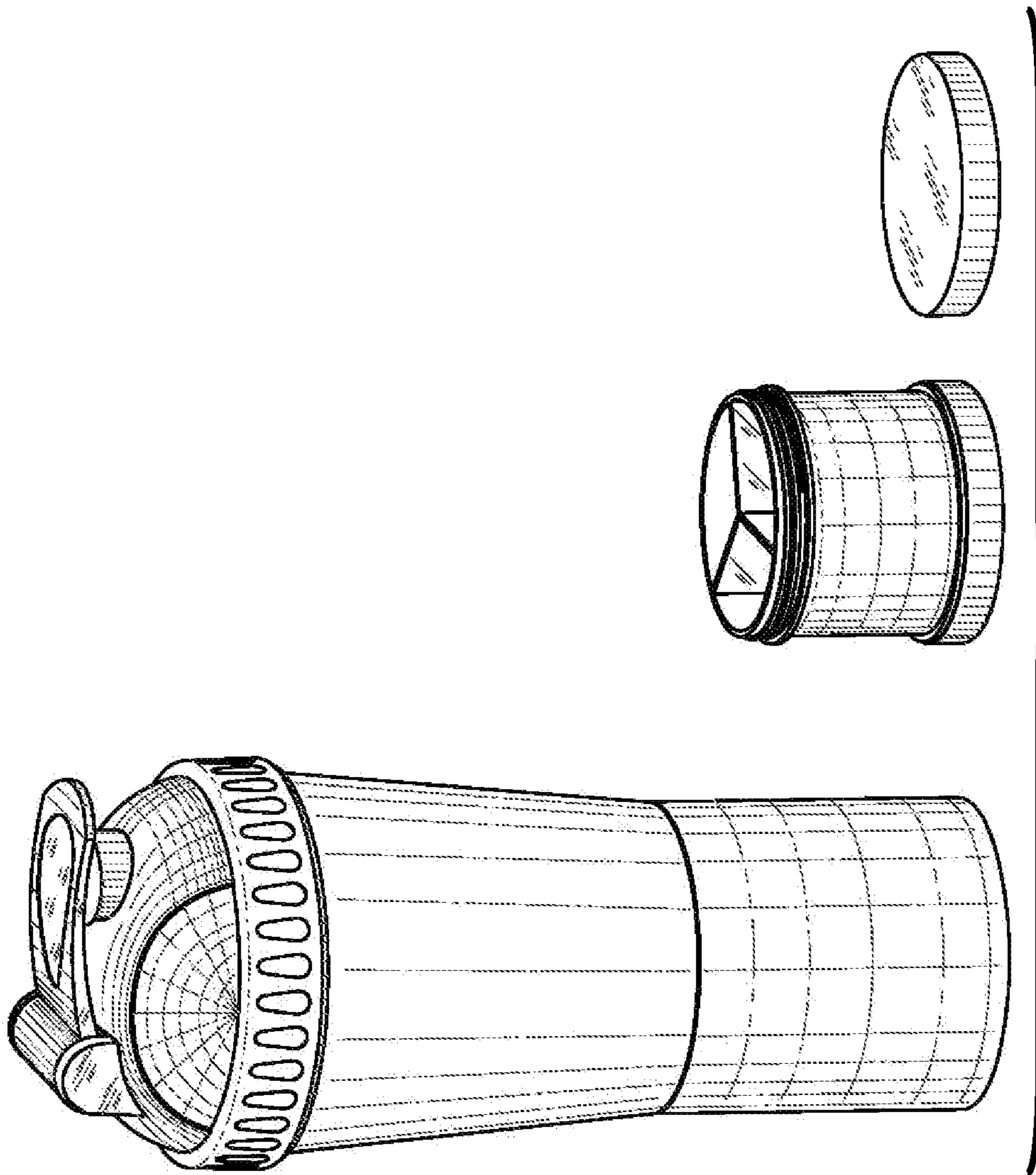


Fig. 10

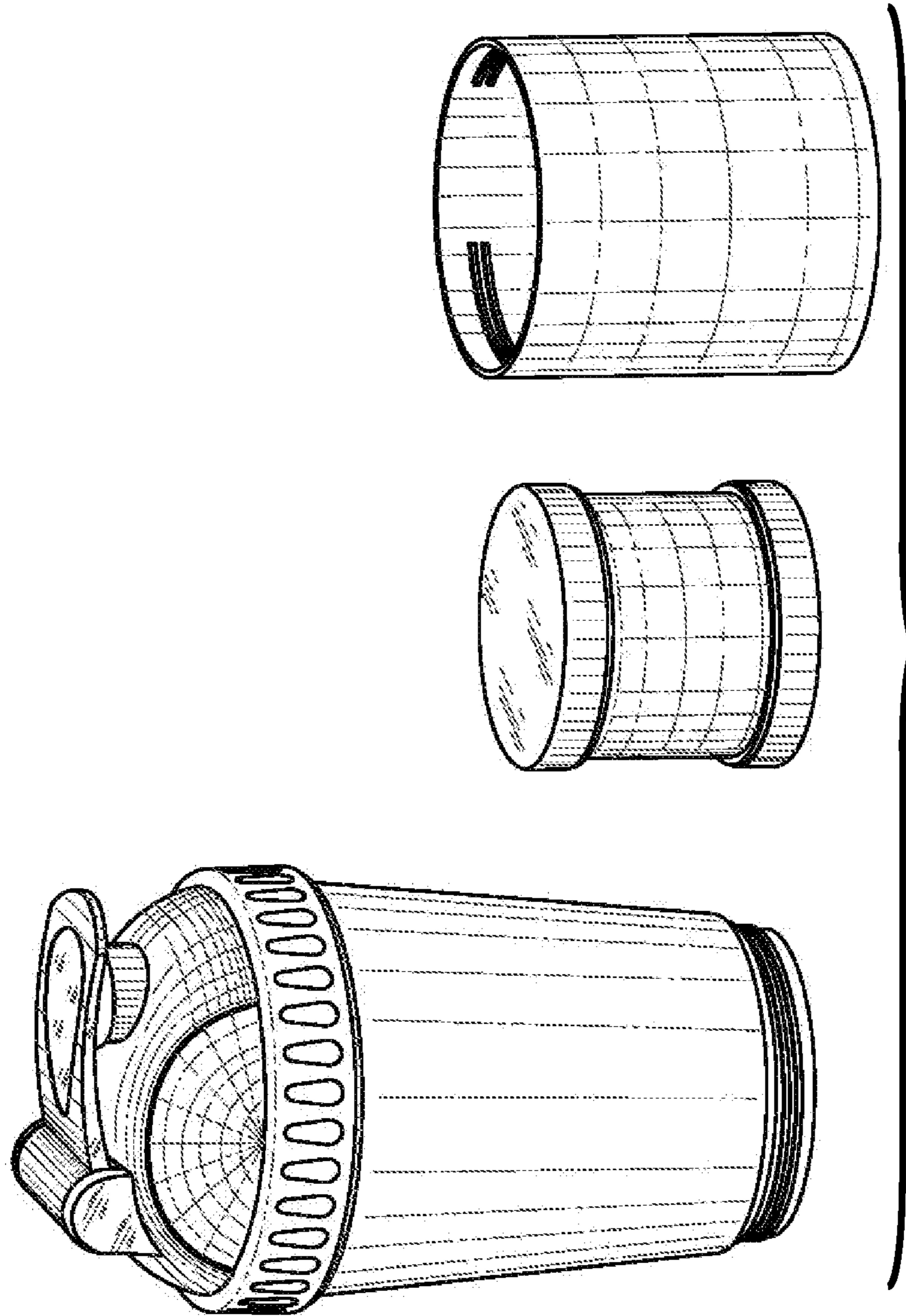


Fig. 11