



US00D688519S

(12) **United States Design Patent**  
**Gagnon et al.**

(10) **Patent No.:** **US D688,519 S**

(45) **Date of Patent:** **\*\* Aug. 27, 2013**

(54) **KITCHEN APPLIANCE BOWL**

FOREIGN PATENT DOCUMENTS

(71) Applicant: **Sensio Inc.**, Montréal (CA)

CA 2654929 12/2007  
EP 0839226 9/2001

(72) Inventors: **Martin Gagnon**, Blainville (CA); **Wai Wang**, Foshan (CN); **Ding Li Guo**, Foshan (CN)

(Continued)

*Primary Examiner* — Ricky Pham

(74) *Attorney, Agent, or Firm* — McDonnell Boehnen Hulbert & Berghoff LLP

(\*\*) Term: **14 Years**

(21) Appl. No.: **29/438,979**

(22) Filed: **Dec. 5, 2012**

(51) **LOC (9) Cl.** ..... **07-02**

(52) **U.S. Cl.**

USPC ..... **D7/412; D7/376; D7/378**

(58) **Field of Classification Search**

USPC ..... D7/301–313, 316–326, 356–357, D7/368, 372–386, 391–398, 412–415, 503, D7/515, 665, 679, 691–693; 99/326, 348, 99/492–495, 508–512; 241/30–37.5, 91–92, 241/101.01–101.2, 166–169.1, 172, 199.12, 241/272, 282.2, 285.1–285.3, 291, 292.1; 366/64–67, 98, 129, 142–144, 192–211, 366/241–254, 262, 279–292, 325.8, 325.92, 366/341–347; 416/75–77, 70 R, 163

See application file for complete search history.

(56) **References Cited**

U.S. PATENT DOCUMENTS

D439,808 S *	4/2001	McClellan et al.	.....	D7/665
6,247,393 B1	6/2001	Chang		
D471,408 S *	3/2003	Fouquet	.....	D7/665
D487,674 S *	3/2004	Robins	.....	D7/665
D502,048 S *	2/2005	Lin	.....	D7/384
D506,108 S *	6/2005	Cohen et al.	.....	D7/665
D513,943 S *	1/2006	Hsu	.....	D7/665
D522,321 S *	6/2006	Hsu	.....	D7/665
D526,540 S *	8/2006	Cohen et al.	.....	D7/665
D538,115 S *	3/2007	Lin	.....	D7/665
D588,864 S *	3/2009	Sands	.....	D7/378

(Continued)

(57) **CLAIM**

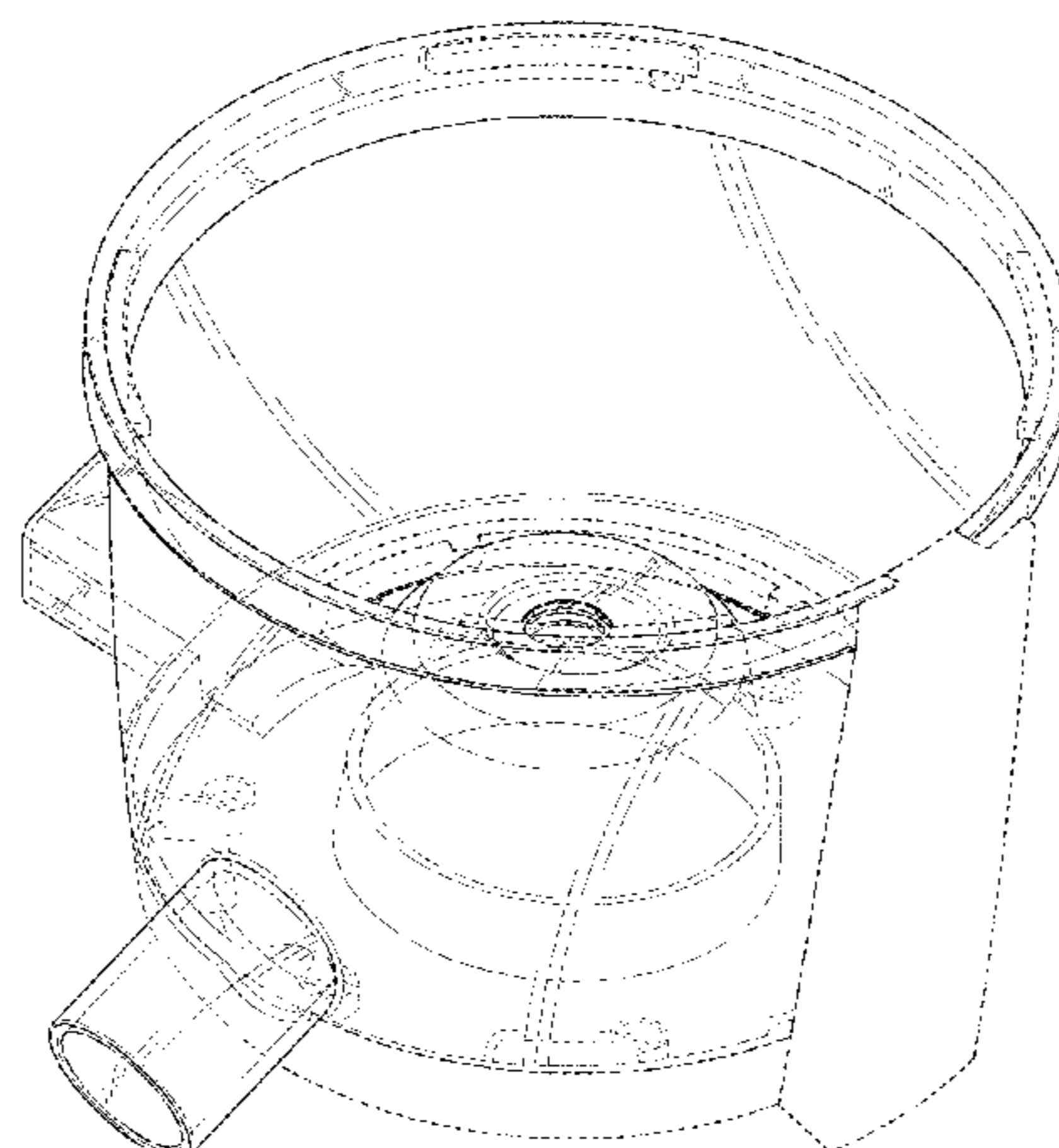
The ornamental design for a kitchen appliance bowl, as shown and described.

**DESCRIPTION**

FIG. 1 is a perspective view taken from a top, rear, right side of a kitchen appliance bowl, according to our new design; FIG. 2 is a front elevation view thereof; FIG. 3 is a rear elevation view thereof; FIG. 4 is a left side elevation view thereof; FIG. 5 is a right side elevation view thereof; FIG. 6 is a top plan view thereof; and, FIG. 7 is a bottom plan view thereof.

The design consists of the visual features of the portions of the kitchen appliance bowl shown in solid lines in the drawings, whether those features are features of one of shape, configuration, ornament or pattern or a combination of any of these features. Throughout the Figures, where shown: (i) the dotted lines showing additional structure of the kitchen appliance bowl are for illustrative purposes only and form no part of the claimed design; (ii) the unshaded surfaces do not form part of the claimed design; and, (iii) the dotted/dashed lines illustrate unclaimed boundaries of surfaces claimed as part of the design. Portions of the kitchen appliance bowl not shown in the Figures and not otherwise described in this Specification do not form part of the claimed design.

**1 Claim, 7 Drawing Sheets**



(56)

References Cited

U.S. PATENT DOCUMENTS

D643,265 S 8/2011 Kim et al.  
 8,091,473 B2 1/2012 Kim  
 D676,287 S \* 2/2013 Ferraby ..... D7/665  
 2005/0018534 A1 \* 1/2005 Nikkah ..... 366/205  
 2006/0075907 A1 \* 4/2006 Hsu ..... 99/511  
 2011/0083566 A1 4/2011 Backus

FOREIGN PATENT DOCUMENTS

EP 1639905 3/2006  
 EP 1689250 8/2006  
 EP 1066953 12/2006  
 EP 1619966 12/2006  
 EP 1903094 3/2010  
 EP 2194822 6/2010  
 EP 2194823 6/2010  
 EP 2334217 6/2011  
 EP 1692954 8/2011  
 EP 2352404 8/2011  
 EP 2427088 3/2012  
 EP 2326220 8/2012  
 EP 2497393 9/2012

EP 2510842 10/2012  
 EP 2515721 10/2012  
 EP 2545818 1/2013  
 ES 2217926 11/2004  
 ES 2238110 8/2005  
 FR 2839255 11/2003  
 FR 2906110 3/2008  
 FR 2932665 12/2009  
 FR 2938415 5/2010  
 FR 2939355 6/2010  
 FR 2945196 11/2010  
 FR 2954072 6/2011  
 FR 2967034 5/2012  
 FR 2967035 5/2012  
 WO 2012/007406 1/2012  
 WO 2012/013150 2/2012  
 WO 2012/036381 3/2012  
 WO 2012/057483 5/2012  
 WO 2012/057484 5/2012  
 WO 2012/091235 7/2012  
 WO 2012/108588 8/2012  
 WO 2012/121642 9/2012  
 WO 2012/165713 12/2012  
 WO 2013/012198 1/2013

\* cited by examiner

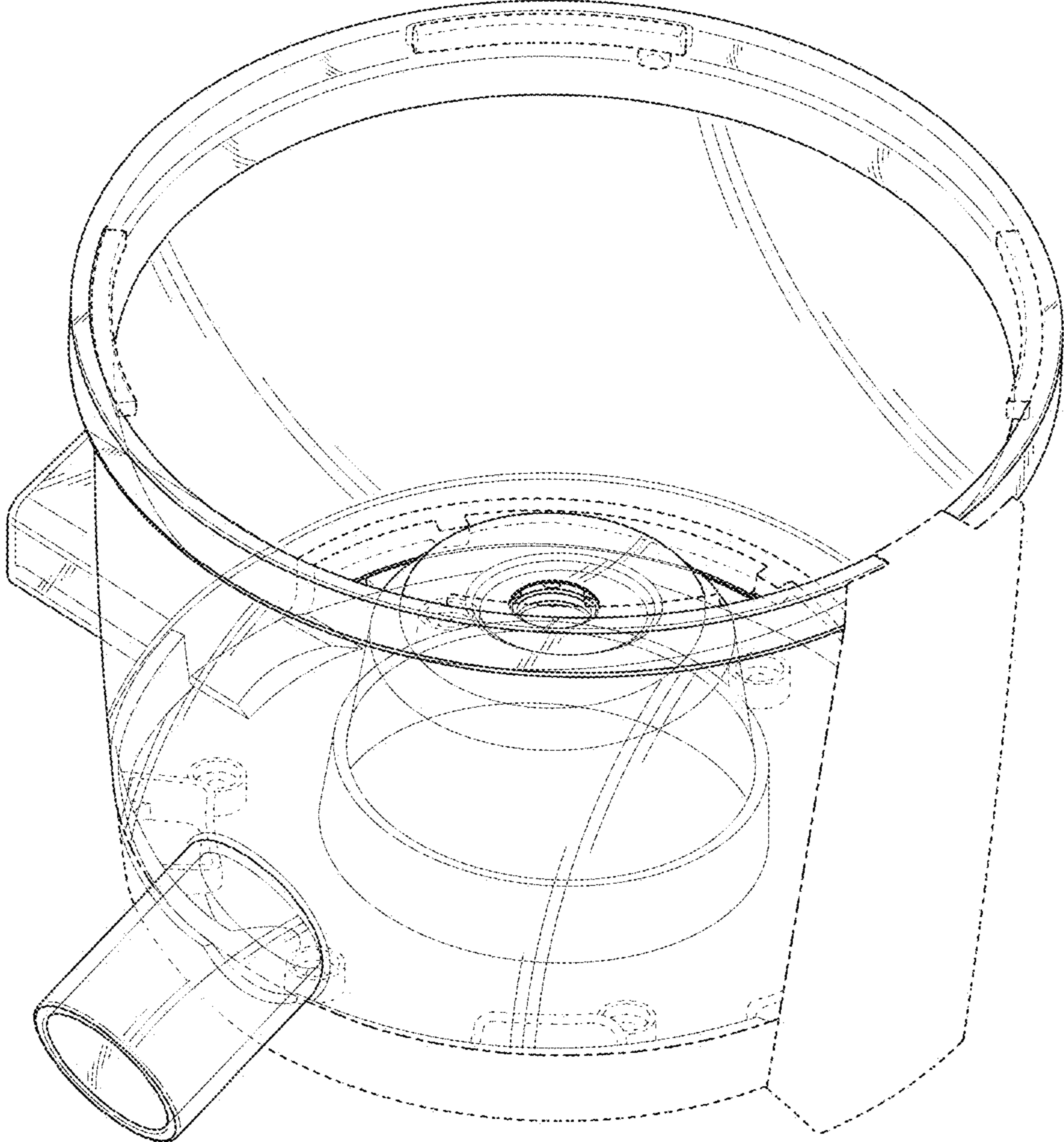


FIG. 1

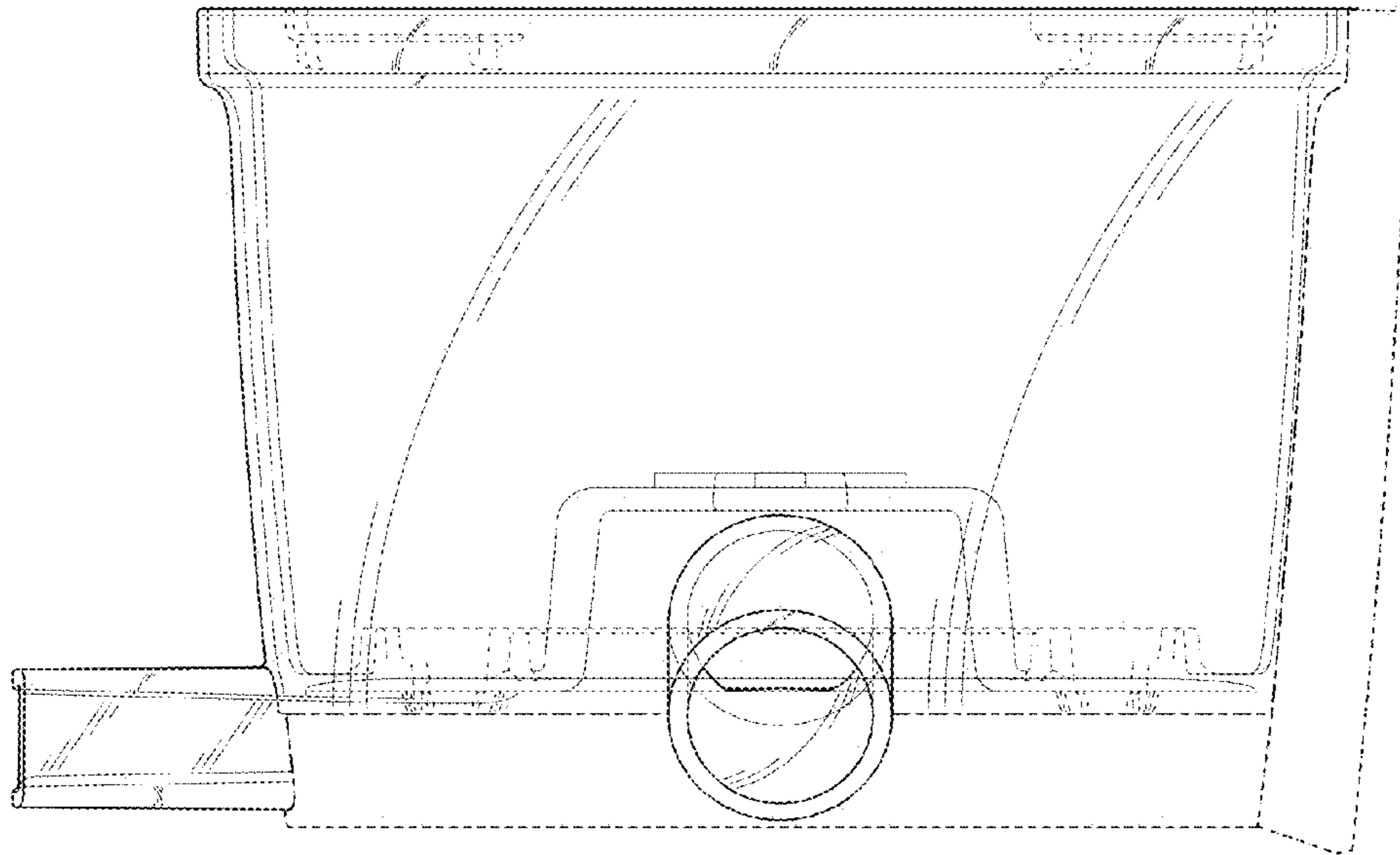


FIG. 2

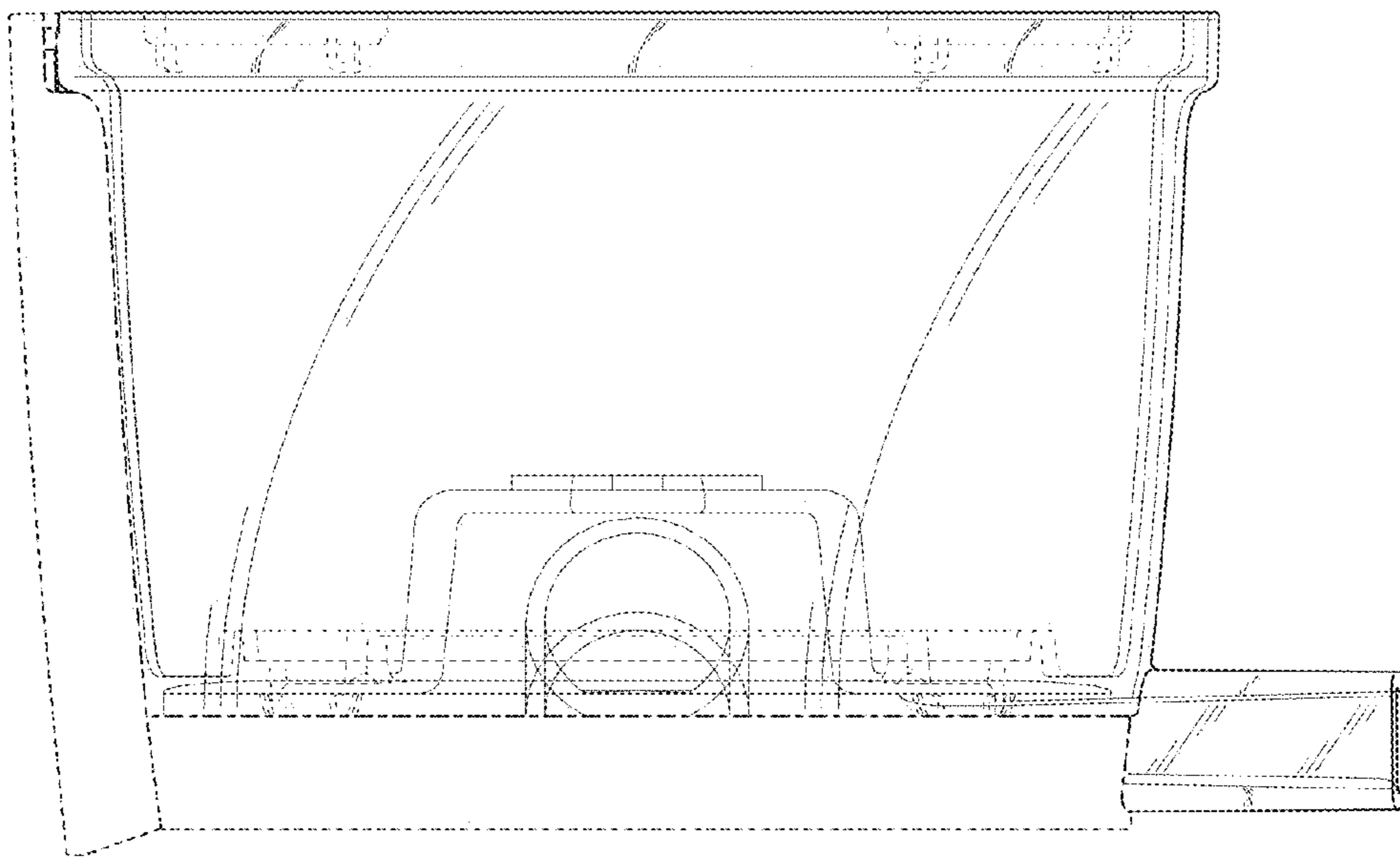


FIG. 3

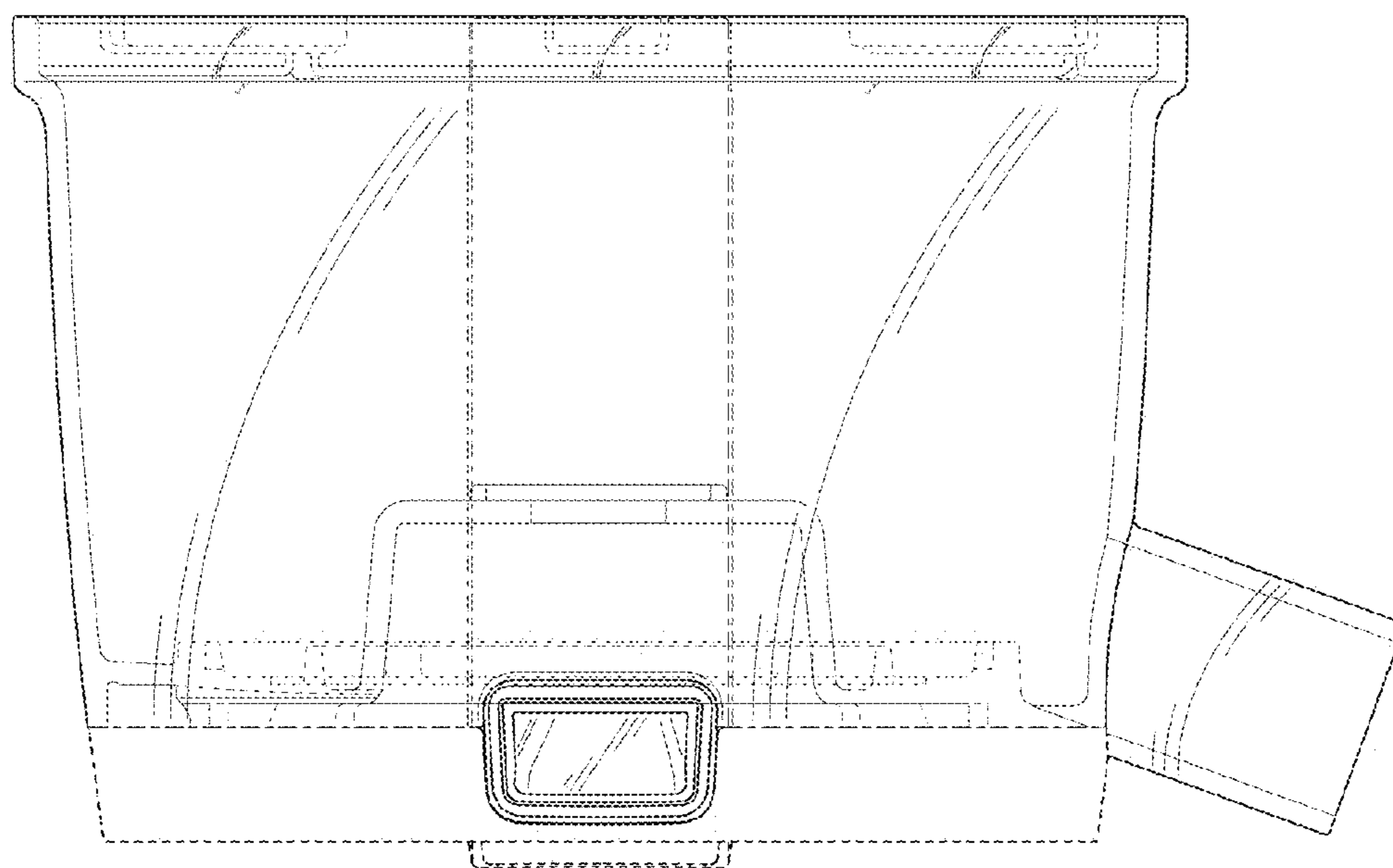


FIG. 4

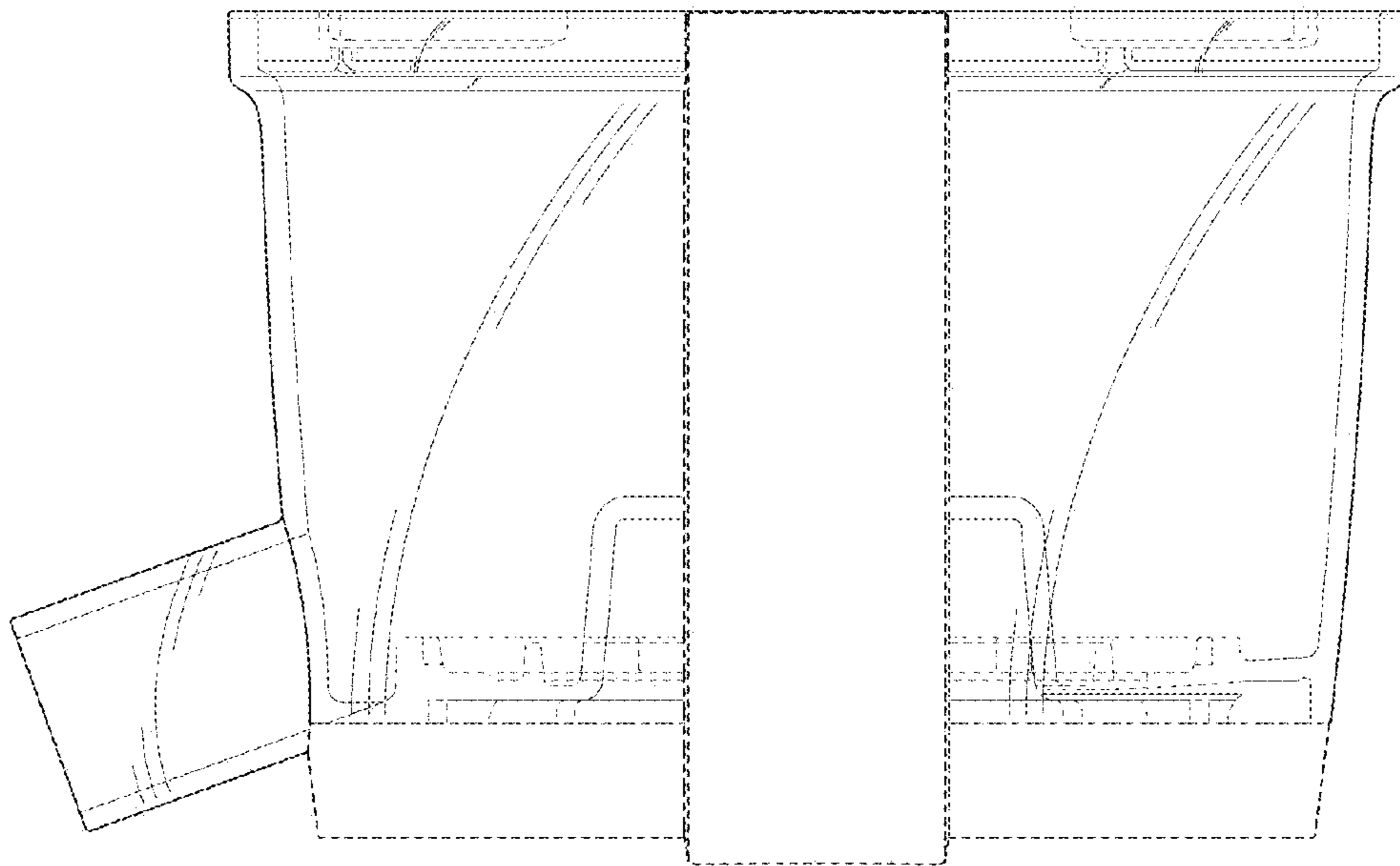


FIG. 5

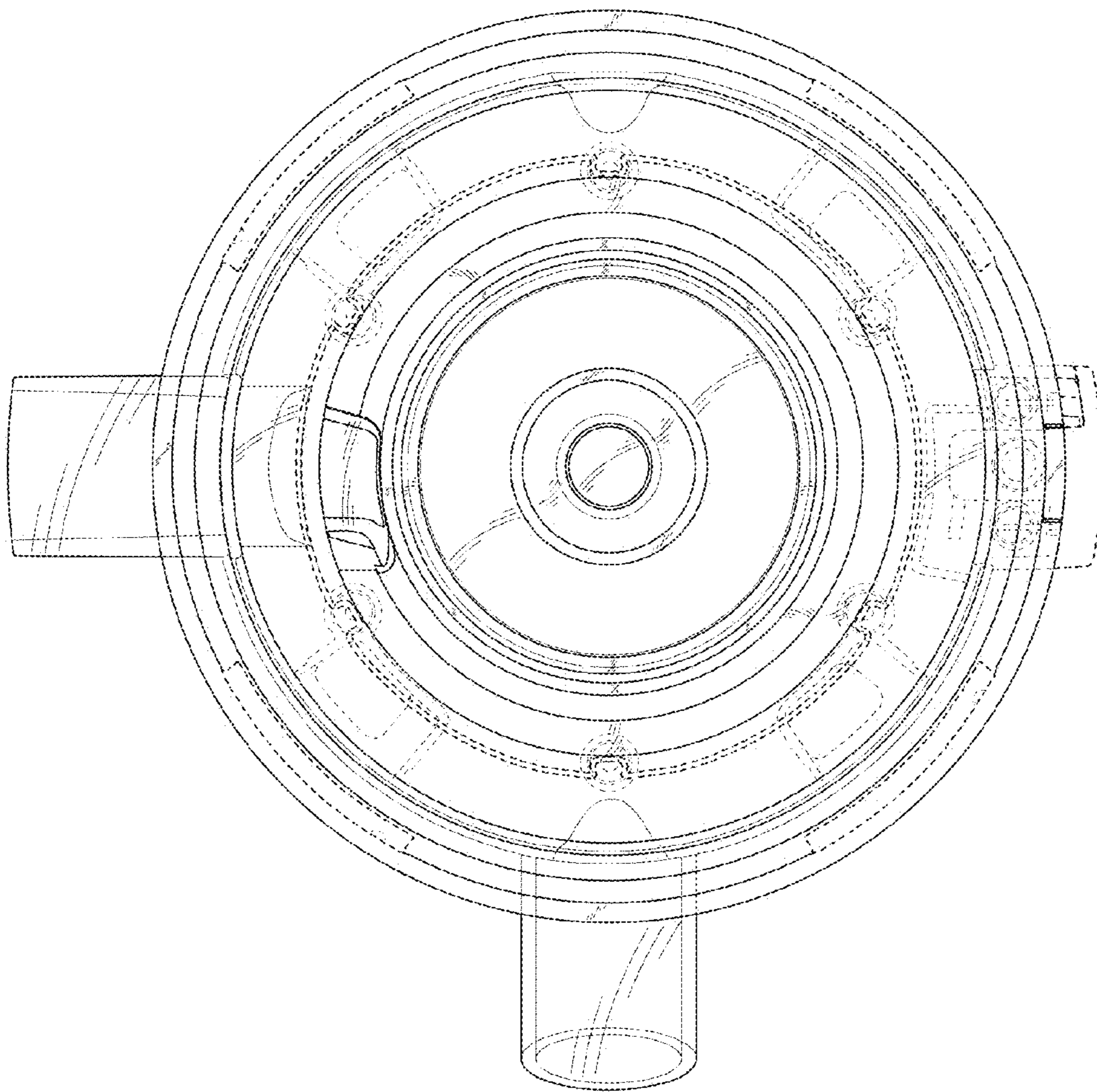


FIG. 6



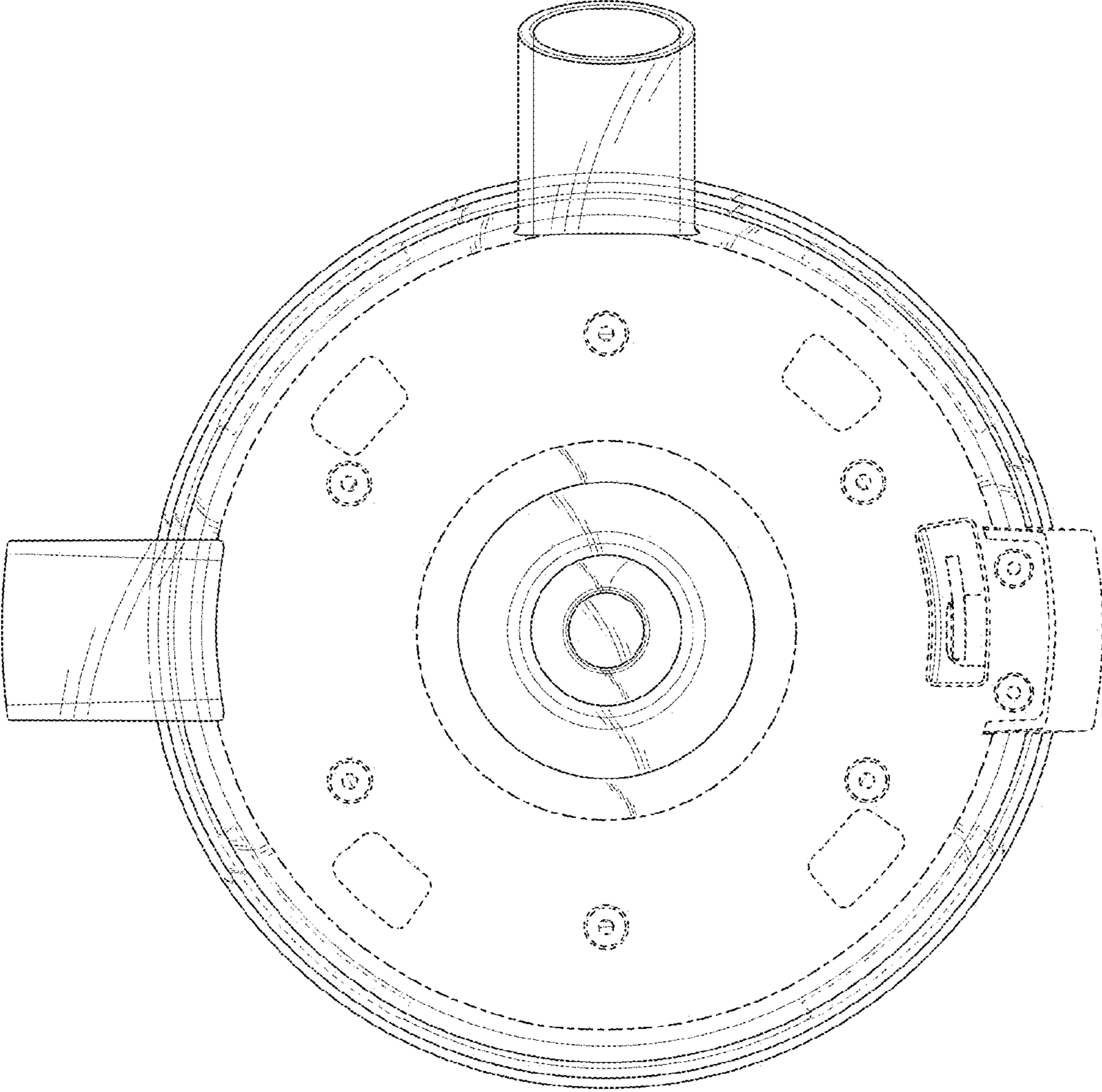


FIG. 7