

US00D688518S

(12) **United States Design Patent**  
**Baek et al.**

(10) **Patent No.:** **US D688,518 S**

(45) **Date of Patent:** **\*\* Aug. 27, 2013**

(54) **OVEN**

(71) Applicant: **Samsung Electronics Co., Ltd.**,  
Gyeonggi-do (KR)

(72) Inventors: **Byungkook Baek**, Anyang-si (KR); **Tai Kyung Kim**, Seoul (KR); **Deoksang Yun**, Ansan-si (KR); **Ji-Young Shin**, Seoul (KR)

(73) Assignee: **Samsung Electronics Co., Ltd.**,  
Suwon-Si (KR)

(\*\*) Term: **14 Years**

(21) Appl. No.: **29/441,889**

(22) Filed: **Jan. 10, 2013**

(30) **Foreign Application Priority Data**

Aug. 28, 2012 (KR) ..... 30-2012-0041296

(51) **LOC (9) Cl.** ..... **07-02**

(52) **U.S. Cl.**  
USPC ..... **D7/402; D8/316**

(58) **Field of Classification Search**  
USPC ..... D7/340–341, 346, 348, 365, 367,  
D7/393–394, 402–407, 349; D8/315–318,  
D8/301; D32/1, 2, 3; 16/412–420; 126/19 M,  
126/275 R, 275 E, 21 A; 99/327–328, 329 R,  
99/331, 332, 348, 357, 467, 448, 468, 483,  
99/339; D15/89

See application file for complete search history.

(56) **References Cited**

**U.S. PATENT DOCUMENTS**

D423,287 S \* 4/2000 Marchand ..... D7/405  
D424,873 S \* 5/2000 Holbrook ..... D7/402  
D469,657 S \* 2/2003 Becker et al. .... D7/405

D511,936 S \* 11/2005 Becker et al. .... D7/406  
D511,955 S \* 11/2005 Baldwin et al. .... D8/301  
D525,476 S \* 7/2006 Bengtson et al. .... D7/349  
D534,766 S \* 1/2007 Logan et al. .... D7/405  
D546,623 S \* 7/2007 Kim ..... D7/402  
D552,959 S \* 10/2007 Gilboe ..... D8/317  
D562,360 S \* 2/2008 Choi ..... D15/89  
D565,892 S \* 4/2008 McConnell et al. .... D7/402  
D587,730 S \* 3/2009 Yang et al. .... D15/89  
D593,799 S \* 6/2009 Cruver et al. .... D7/402  
D597,820 S \* 8/2009 Kirk ..... D8/317  
D610,594 S \* 2/2010 Martin et al. .... D15/89  
D610,595 S \* 2/2010 Baker et al. .... D15/89  
D614,012 S \* 4/2010 Saubert et al. .... D8/317  
D614,013 S \* 4/2010 Saubert et al. .... D8/317  
D622,915 S \* 8/2010 Crookshanks et al. .... D32/3  
D646,141 S \* 10/2011 Jeon et al. .... D8/316

\* cited by examiner

*Primary Examiner* — T. Chase Nelson

*Assistant Examiner* — Mark Cavanna

(74) *Attorney, Agent, or Firm* — Ladas & Parry LLP

(57) **CLAIM**

The ornamental design for an oven, as shown and described.

**DESCRIPTION**

FIG. 1 is a front/right-side/top perspective view of an oven showing our new design;

FIG. 2 is a front-side elevational view thereof;

FIG. 3 is a rear-side elevational view thereof;

FIG. 4 is a left-side elevational view thereof;

FIG. 5 is a right-side elevational view thereof;

FIG. 6 is a top-side elevational view thereof; and,

FIG. 7 is a bottom-side elevational view thereof.

The broken lines are included for the purpose of illustrating portions of the oven that form no part of the claimed design.

**1 Claim, 7 Drawing Sheets**

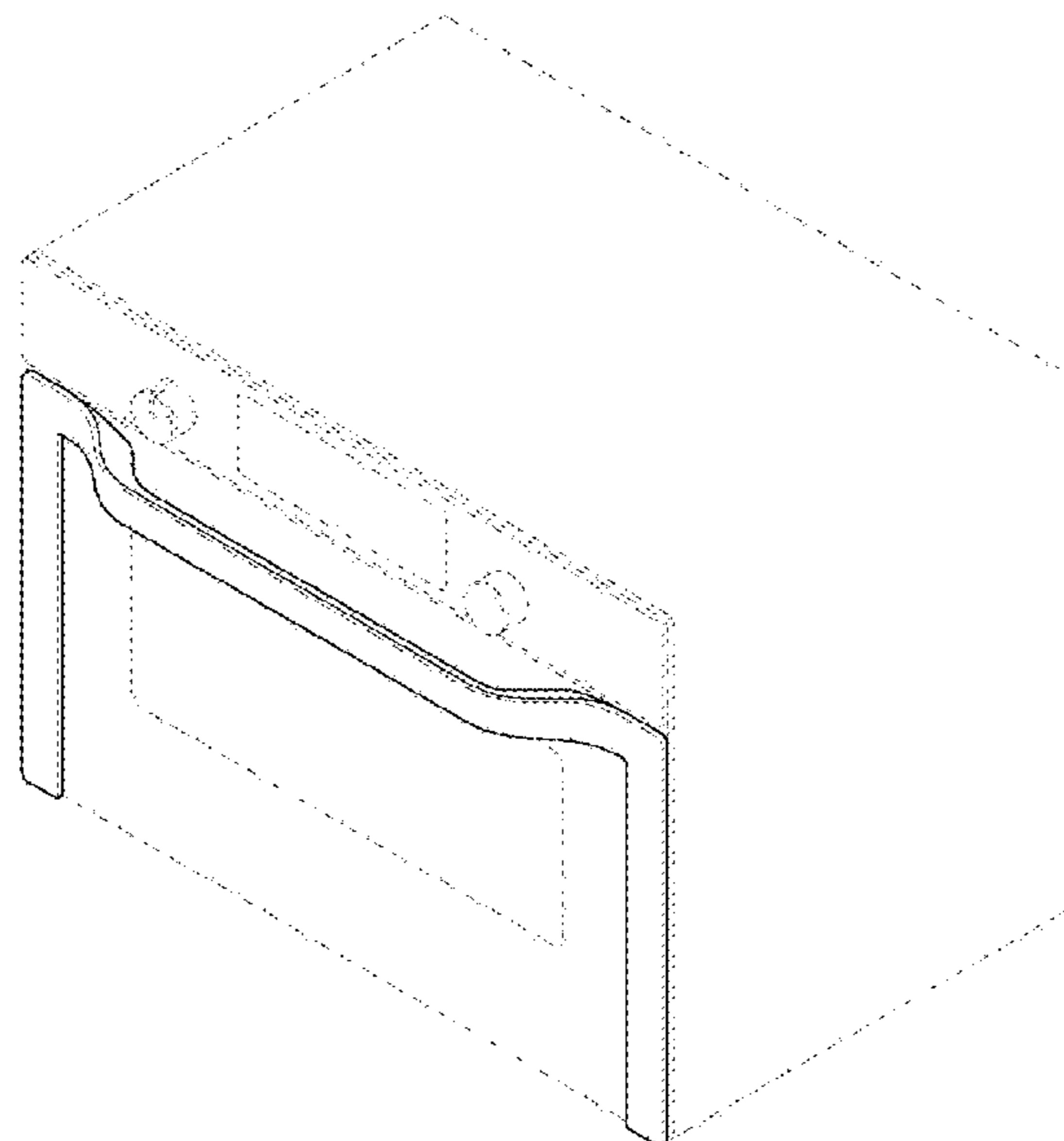
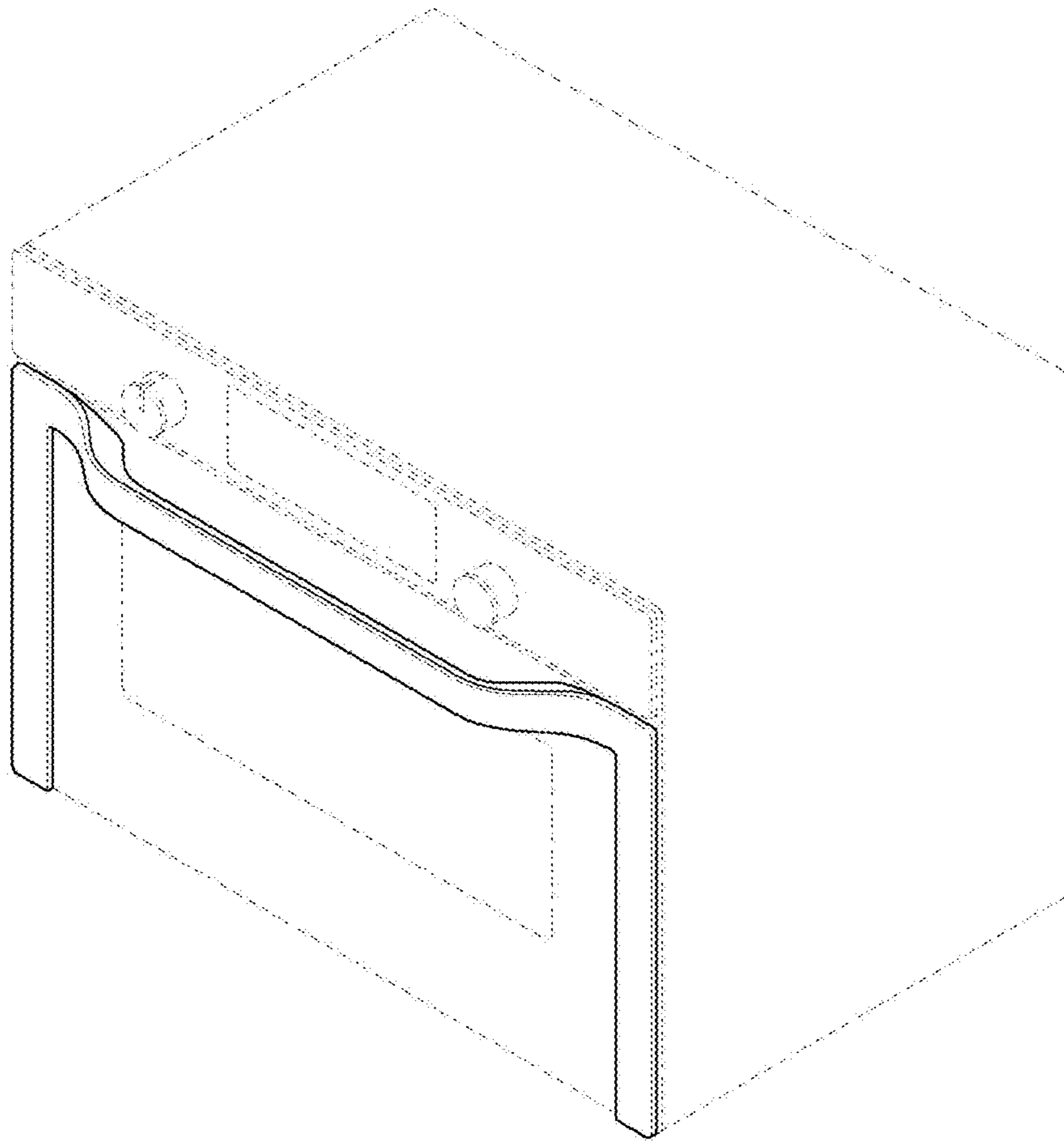
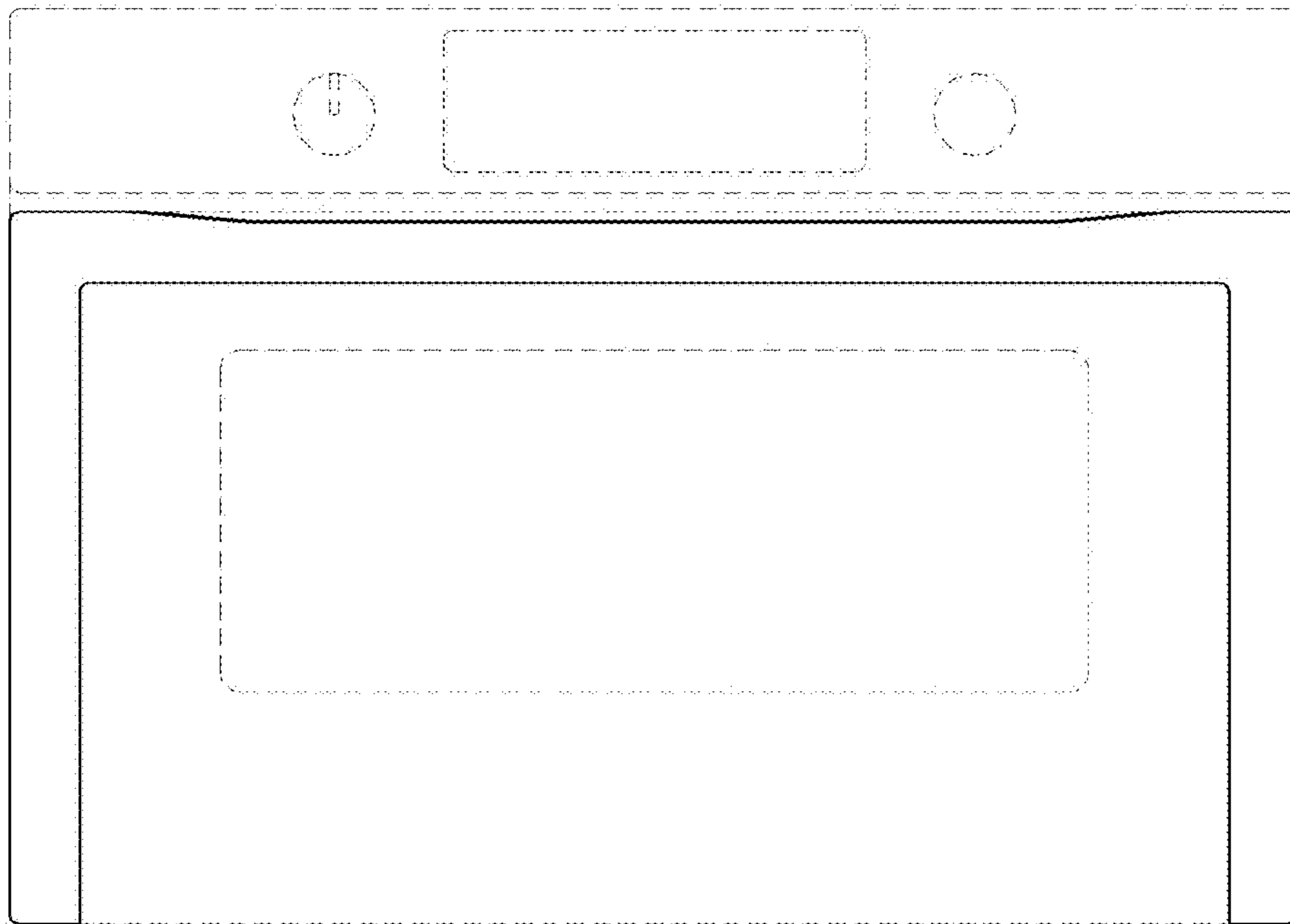


FIG. 1



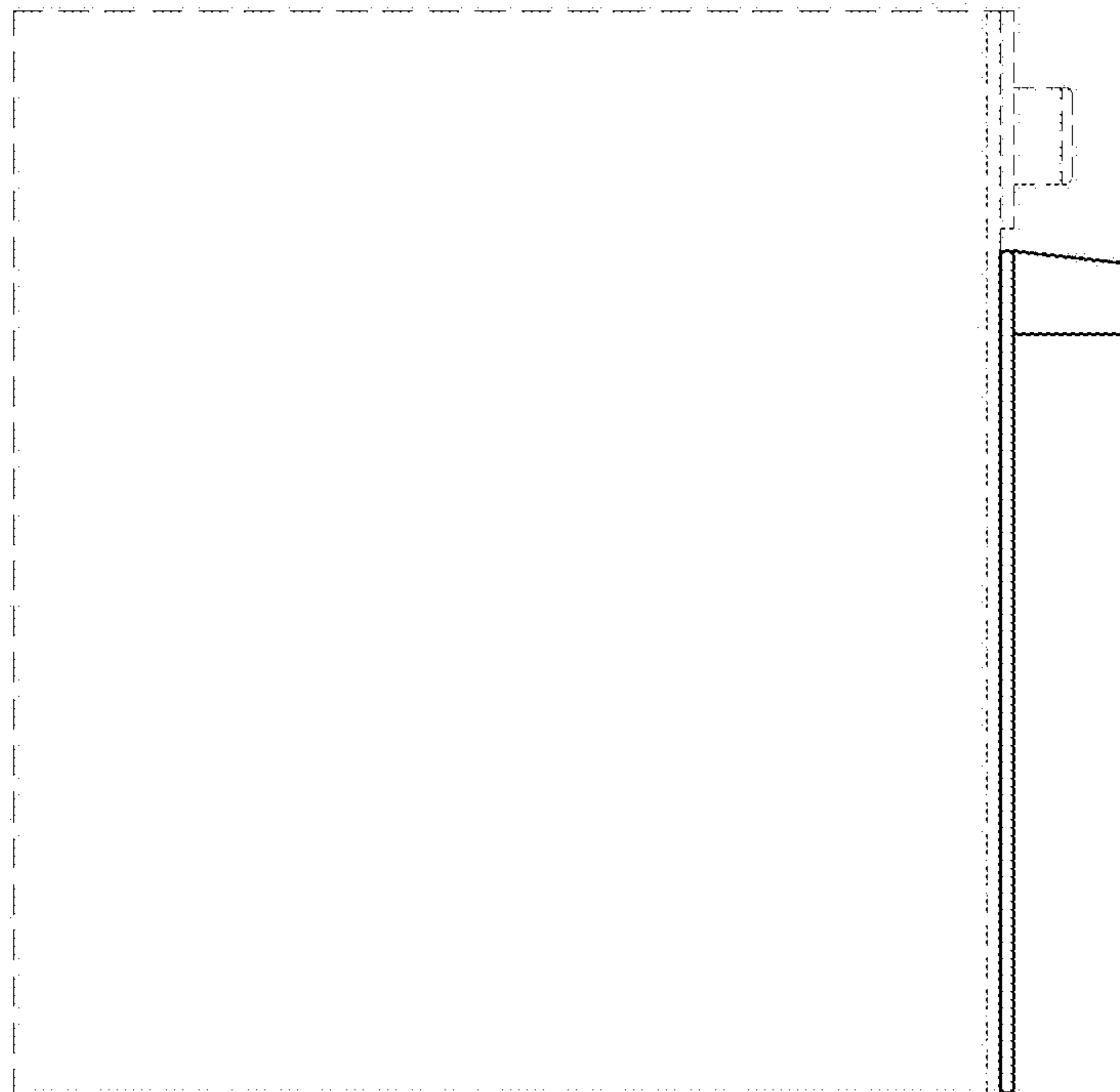
**FIG. 2**



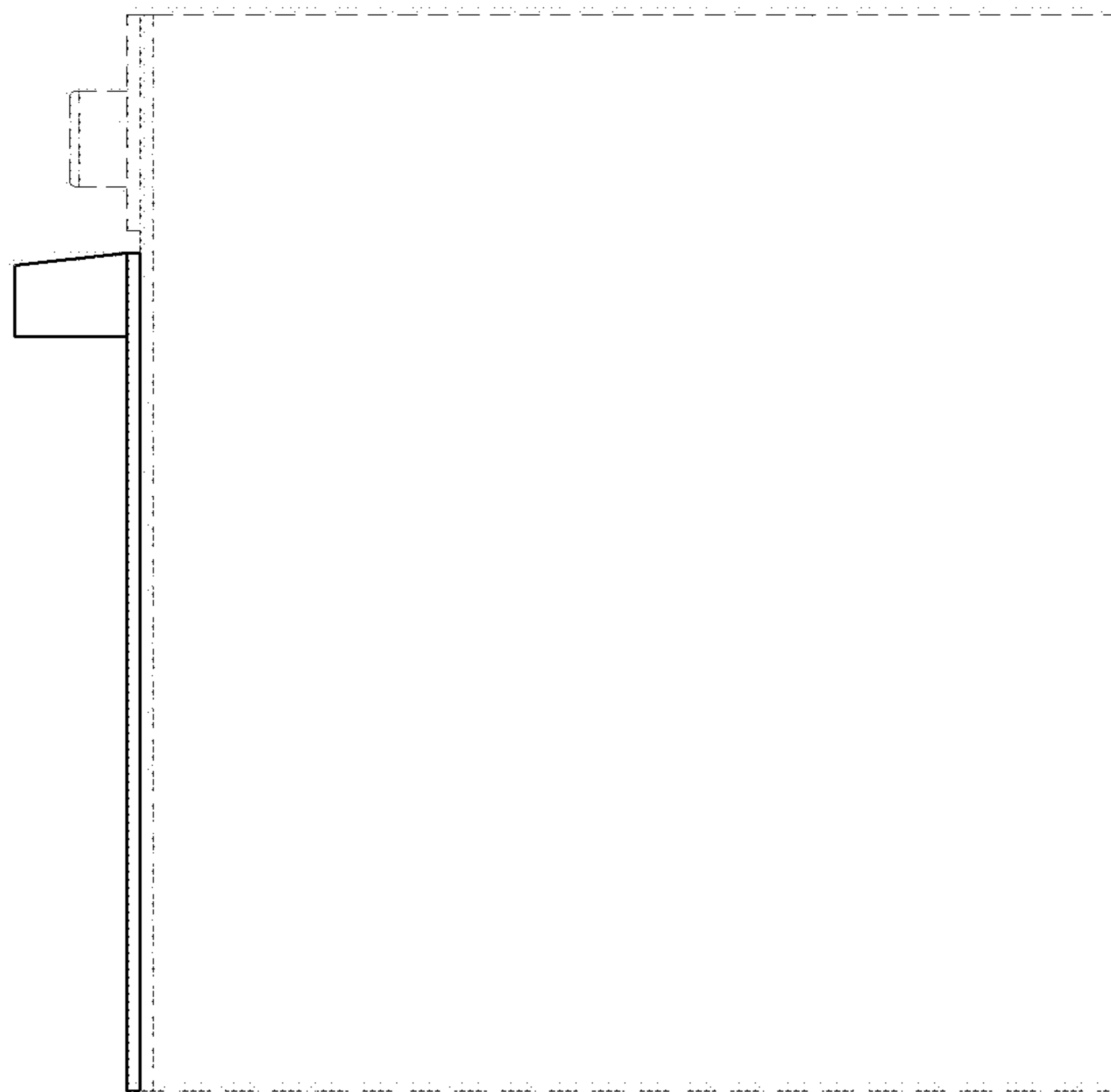
**FIG. 3**



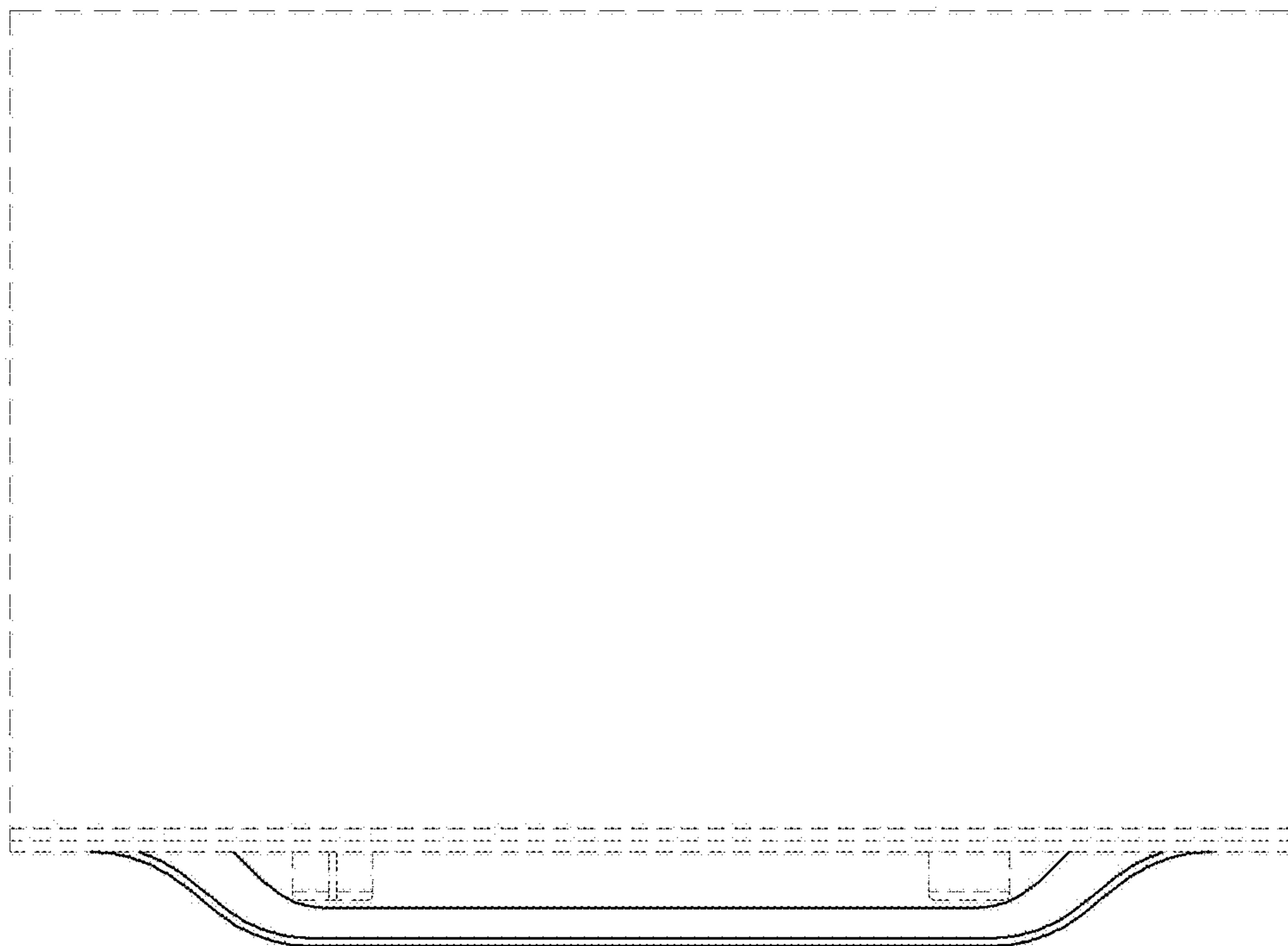
**FIG. 4**



**FIG. 5**



**FIG. 6**



**FIG. 7**

