



US00D688517S

(12) **United States Design Patent**  
**Eilgus**

(10) **Patent No.:** **US D688,517 S**

(45) **Date of Patent:** **\*\* Aug. 27, 2013**

(54) **GRILL LID**

(56) **References Cited**

(71) Applicant: **The Coleman Company, Inc.**, Wichita, KS (US)

(72) Inventor: **Mitchell L. Eilgus**, Andover, KS (US)

(73) Assignee: **The Coleman Company, Inc.**, Wichita, KS (US)

(\*\*) Term: **14 Years**

(21) Appl. No.: **29/438,287**

(22) Filed: **Nov. 28, 2012**

(51) **LOC (9) Cl.** ..... **07-02**

(52) **U.S. Cl.**  
USPC ..... **D7/402**

(58) **Field of Classification Search**  
USPC ..... D7/332, 334-337, 402-404, 406, D7/409, 606; 126/25 R, 41 R, 38, 9 R, 9 A, 126/9 B, 40, 50, 37 R, 304 R, 305; 99/450, 99/481, 482; 248/163.1, 440.1, 188.1, 127; 108/157.13

See application file for complete search history.

U.S. PATENT DOCUMENTS

D433,279 S *	11/2000	Schlosser et al. ....	D7/402
D491,414 S *	6/2004	Nichols et al. ....	D7/402
D504,048 S *	4/2005	Joss et al. ....	D7/402
D527,947 S *	9/2006	Pai ....	D7/402
D559,620 S *	1/2008	Bachinski et al. ....	D7/402
D562,630 S *	2/2008	Chau et al. ....	D7/402
D587,525 S *	3/2009	Chau ....	D7/402
D604,557 S *	11/2009	Lee ....	D7/402
D615,799 S *	5/2010	Best et al. ....	D7/337
D654,758 S *	2/2012	Thimm et al. ....	D7/334

\* cited by examiner

*Primary Examiner* — Ruth McInroy

(57) **CLAIM**  
The ornamental design for a grill lid, as shown and described.

**DESCRIPTION**

FIG. 1 is a front side perspective view of our grill lid; FIG. 2 is a front elevation view thereof; FIG. 3 is a rear elevation view thereof; FIG. 4 is a left side elevation view thereof; FIG. 5 is a right side elevation view thereof; and, FIG. 6 is a top plan view thereof. The broken line showing is for illustrative purposes only and forms no part of the claimed design.

**1 Claim, 2 Drawing Sheets**

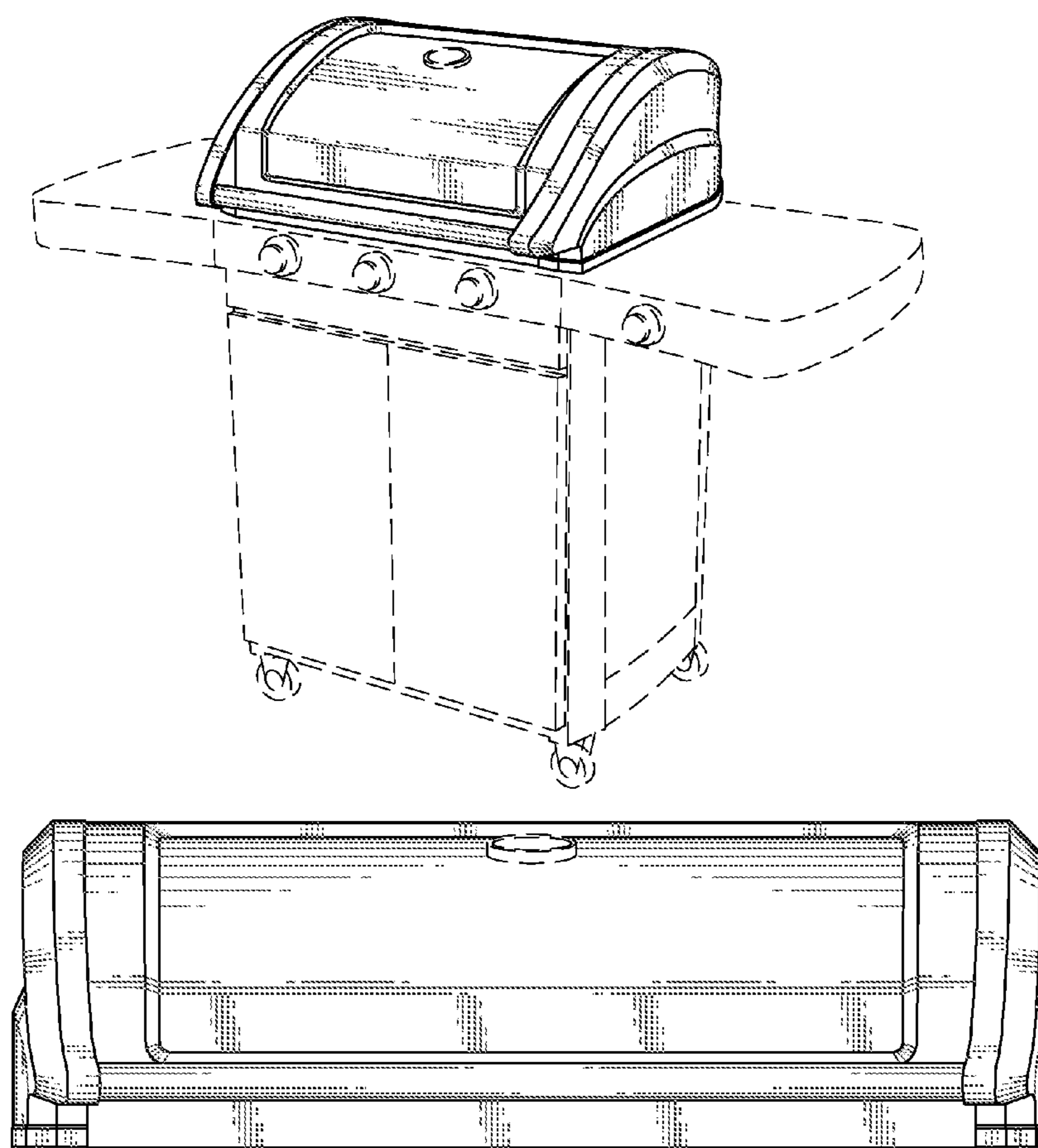


FIG. 1

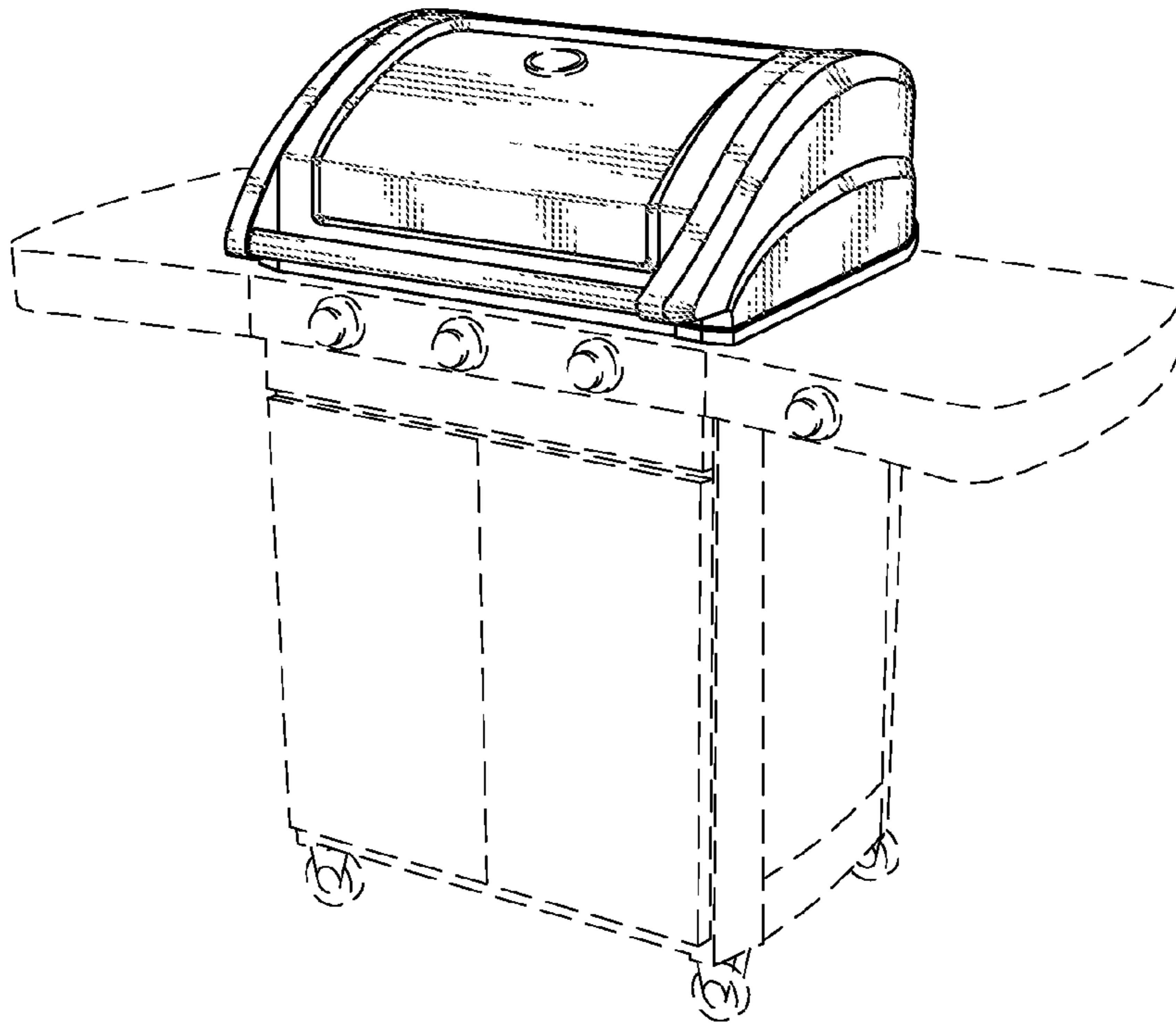


FIG. 2

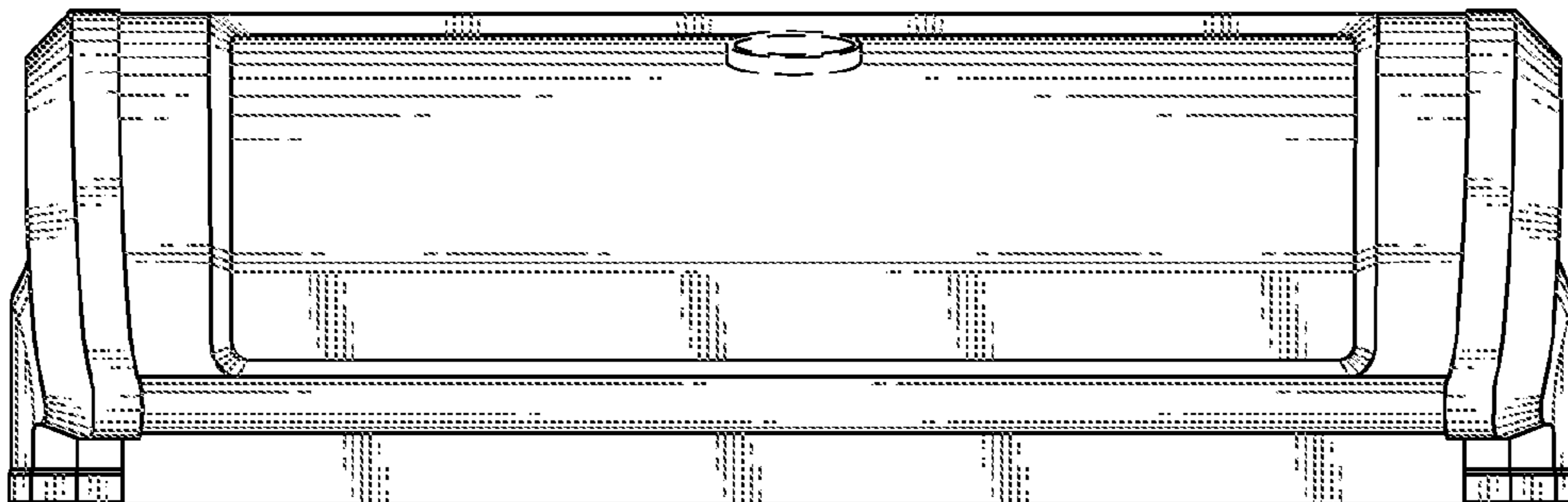


FIG. 3

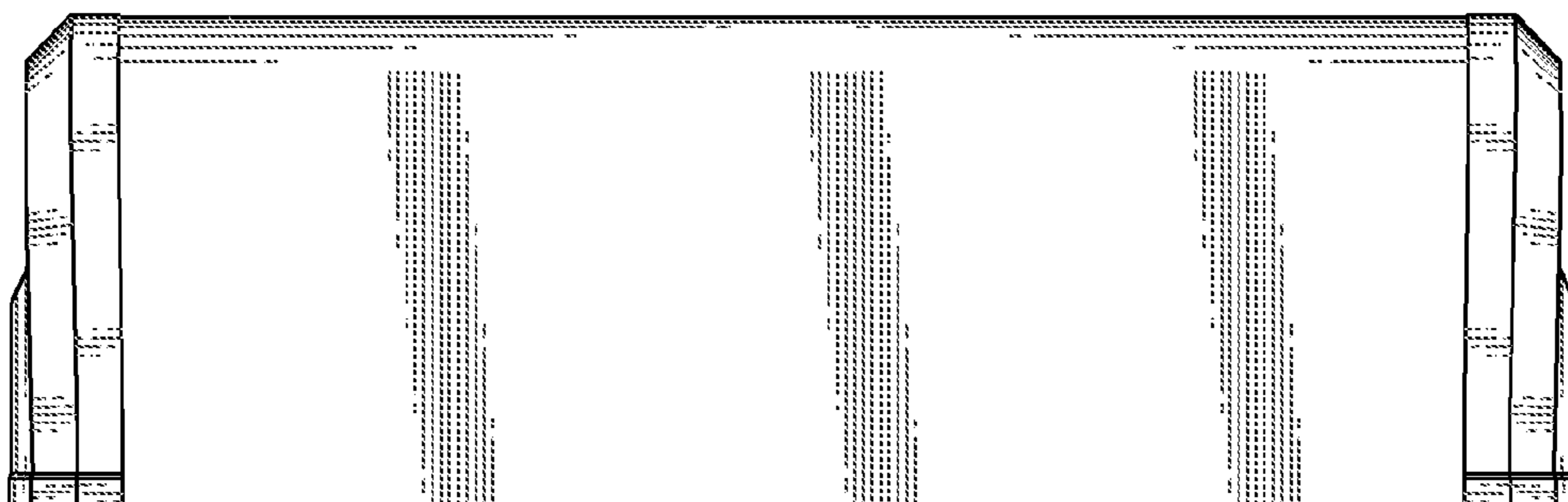


FIG. 4

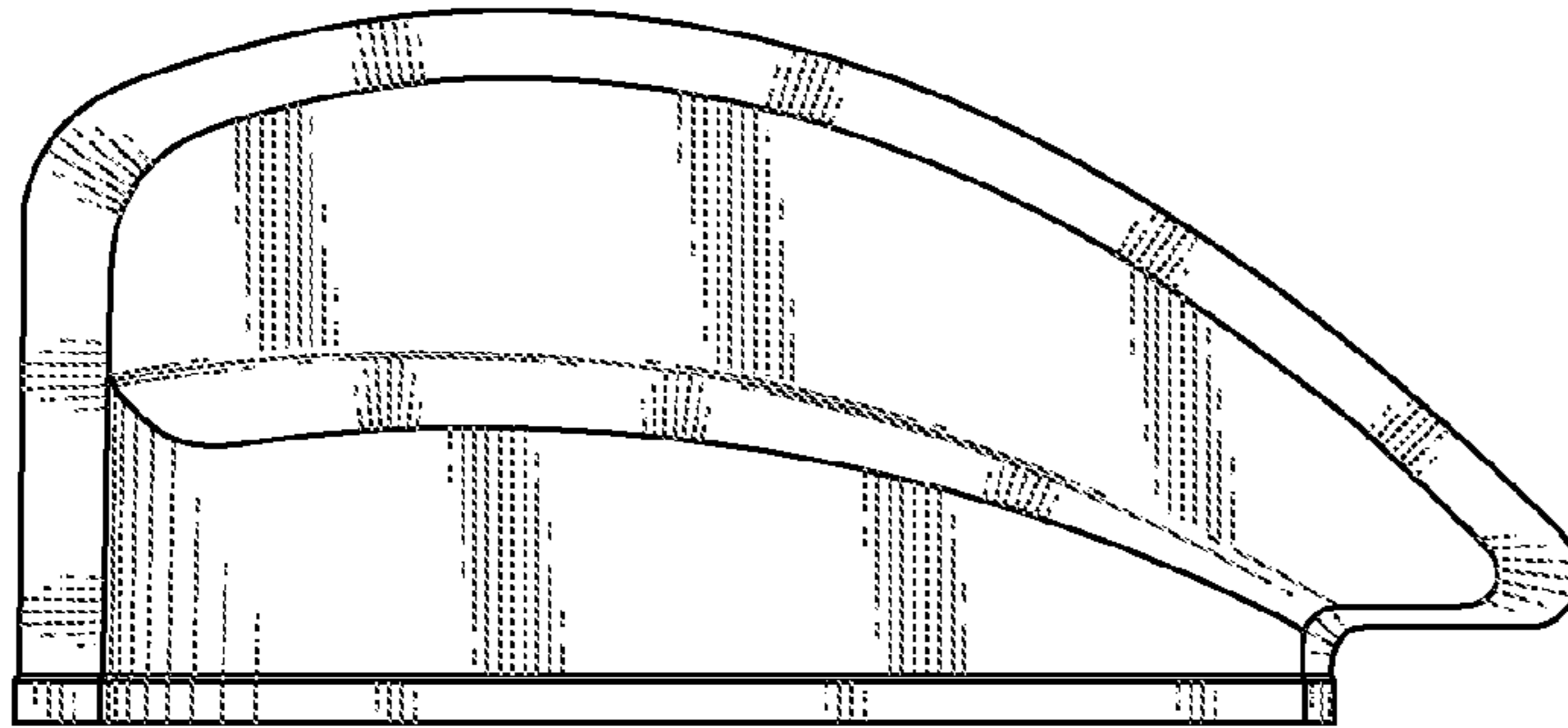


FIG. 5

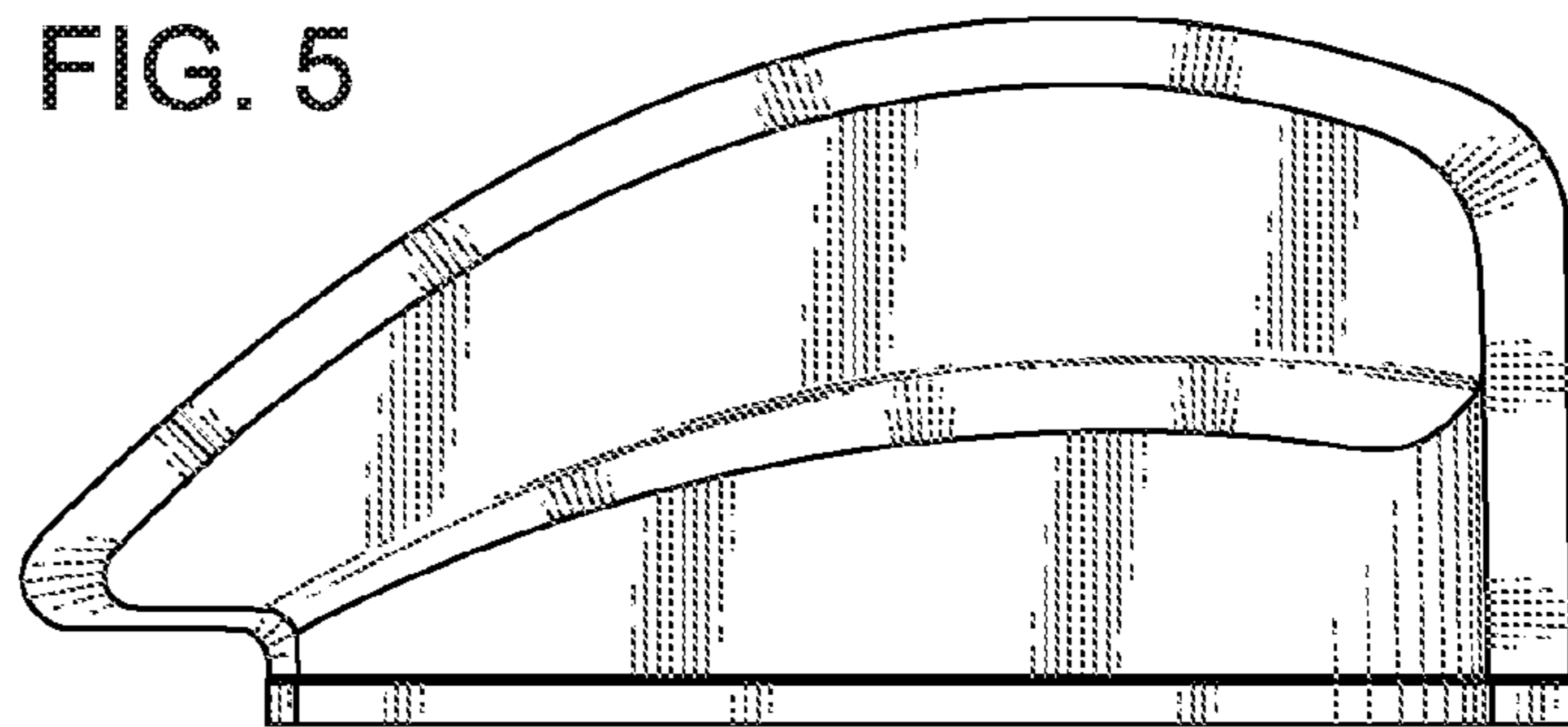


FIG. 6

