



US00D688515S

(12) **United States Design Patent**  
**Montgomery**

(10) **Patent No.:** **US D688,515 S**

(45) **Date of Patent:** **\*\* Aug. 27, 2013**

(54) **UTENSIL RETENTION FEATURE FOR BOWLS AND PANS**

(75) Inventor: **Seana L. Montgomery**, McKinney, TX (US)

(73) Assignee: **Seana L. Montgomery**, McKinney, TX (US)

(\*\*) Term: **14 Years**

(21) Appl. No.: **29/428,187**

(22) Filed: **Jul. 27, 2012**

**Related U.S. Application Data**

(62) Division of application No. 29/369,663, filed on Sep. 10, 2010, now Pat. No. Des. 666,458.

(51) **LOC (9) Cl.** ..... **07-01**

(52) **U.S. Cl.**  
USPC ..... **D7/396.1**

(58) **Field of Classification Search**  
USPC ..... D7/505, 500, 587, 586, 506, 538, D7/555, 541, 546, 548, 553.1, 545, 610, 566, D7/570; D9/307, 341, 342, 343, 344, 345, D9/346, 347, 348, 543; 206/561; 220/575  
See application file for complete search history.

(56) **References Cited**

**U.S. PATENT DOCUMENTS**

D109,508 S	5/1938	Wood	
D113,856 S	3/1939	Smith	
2,655,016 A *	10/1953	Hudson	220/575
D270,887 S	10/1983	Allgeyer et al.	
D391,118 S	2/1998	Jørgensen	
D443,181 S	6/2001	Miller	
D482,575 S	11/2003	Mountain	
D509,994 S	9/2005	Hadland	
D560,434 S	1/2008	Feil	
D564,302 S	3/2008	Freeman	
D592,064 S *	5/2009	Kilany	D9/519
D592,512 S *	5/2009	Dubitsky et al.	D9/516
D593,807 S	6/2009	Kong	
D613,616 S *	4/2010	Renz et al.	D9/776
D625,469 S *	10/2010	Dubitsky et al.	D28/84

D627,198 S	11/2010	Hull et al.	
D630,891 S	1/2011	Thonis	
D631,204 S *	1/2011	Dubitsky et al.	D28/82
D639,115 S	6/2011	Stewart et al.	
D639,449 S *	6/2011	Luburic	D25/1
D641,590 S *	7/2011	Koennecke	D7/586
D656,792 S	4/2012	Sink et al.	
8,322,112 B2 *	12/2012	Luburic	52/745.13
2009/0241347 A1	10/2009	Weaver	
2009/0321455 A1	12/2009	Fernandez et al.	

**OTHER PUBLICATIONS**

U.S. Appl. No. 13/490,364, filed Jun. 6, 2012, entitled "Bowl with Utensil Holder", inventor Seana L. Montgomery.

\* cited by examiner

*Primary Examiner* — Cynthia Underwood

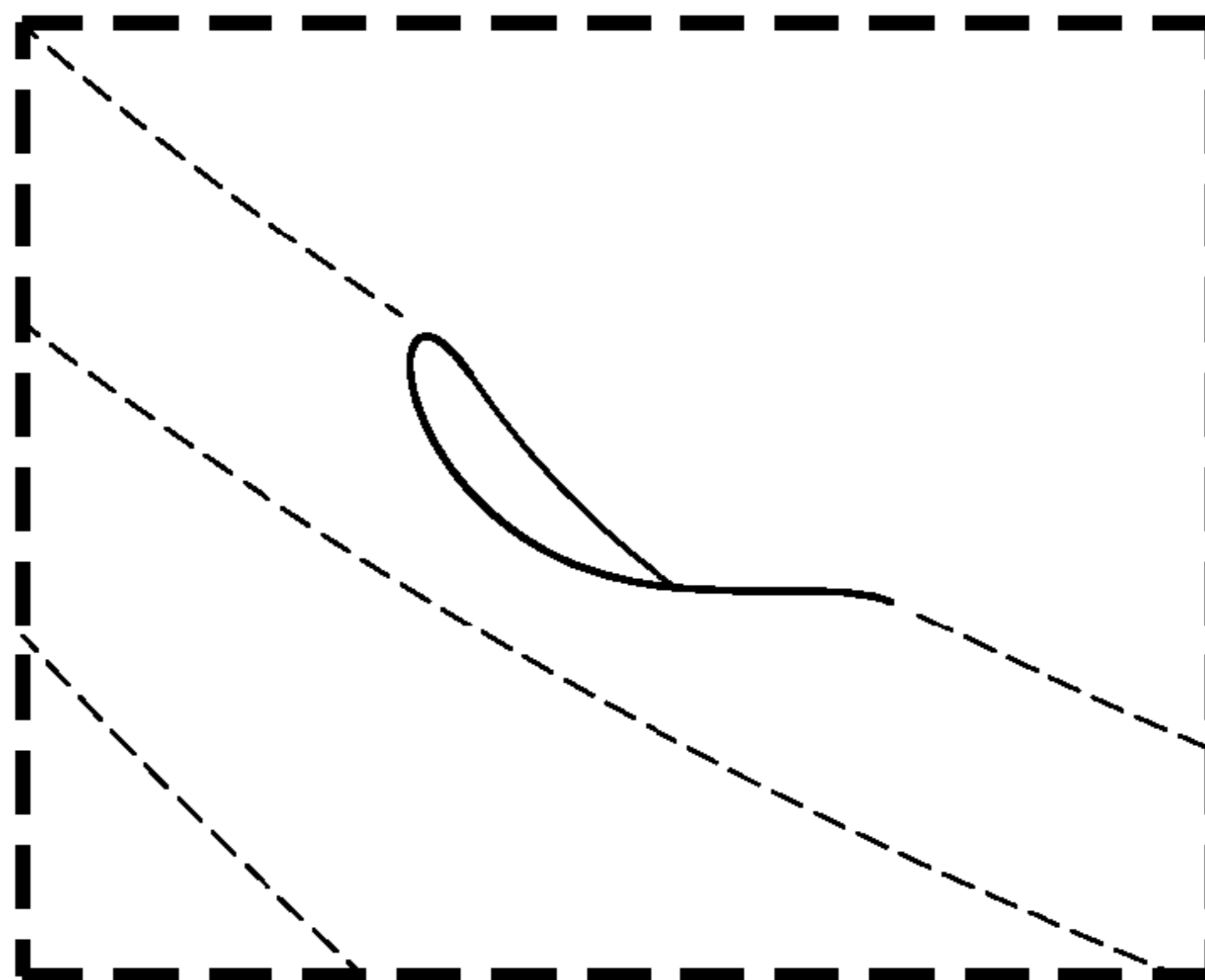
(74) *Attorney, Agent, or Firm* — Patent Capital Group

(57) **CLAIM**

The ornamental design for a utensil retention feature for bowls and pans, as shown and described.

**DESCRIPTION**

This Design application is also related to co-pending U.S. Design patent application Ser. No. 29/428,184, filed on Jul. 27, 2012, entitled Bowl With Utensil Retention Feature; U.S. Design patent application Ser. No. 29/428,185, filed on Jul. 27, 2012, entitled Bowl With Utensil Retention Feature; U.S. Design patent application Ser. No. 29/428,188, filed on Jul. 27, 2012, entitled Bowl With Utensil Retention Feature; U.S. Design patent application Ser. No. 29/428,189, filed on Jul. 27, 2012, entitled Bowl With Utensil Retention Feature; U.S. Design patent application Ser. No. 29/428,215, filed on Jul. 27, 2012, entitled Bowl With Utensil Retention Feature; U.S. Design patent application Ser. No. 29/428,221, filed on Jul. 27, 2012, entitled Bowl With Utensil Retention Feature; U.S. Design patent application Ser. No. 29/428,222, filed on Jul. 27, 2012, entitled Bowl With Utensil Retention Feature; U.S. Design patent application Ser. No. 29/428,225 filed on Jul. 27, 2012, entitled Bowl With Utensil Retention Feature; U.S. Design patent application Ser. No. 29/428,227, filed on Jul. 27, 2012, entitled Bowl With Utensil Retention Feature; U.S. Design patent application Ser. No. 29/428,232, filed on Jul.



27, 2012, entitled Bowl With Utensil Retention Feature; U.S. Design patent application Ser. No. 29/428,240, filed on Jul. 27, 2012, entitled Bowl With Utensil Retention Feature; U.S. Design patent application Ser. No. 29/428,244, filed on Jul. 27, 2012, entitled Bowl With Utensil Retention Feature; U.S. Design patent application Ser. No. 29/428,248, filed on Jul. 27, 2012, entitled Bowl With Utensil Retention Feature; U.S. Design patent application Ser. No. 29/428,253, filed on Jul. 27, 2012, entitled Bowl With Utensil Retention Feature; U.S. Design patent application Ser. No. 29/428,256, filed on Jul. 27, 2012, entitled Bowl With Utensil Retention Feature; U.S. Design patent application Ser. No. 29/428,261, filed on Jul. 27, 2012, entitled Bowl With Utensil Retention Feature; U.S. Design patent application Ser. No. 29/428,270, filed on Jul. 27, 2012, entitled Bowl With Utensil Retention Feature; U.S. Design patent application Ser. No. 29/428,276, filed on Jul. 27, 2012, entitled Bowl With Utensil Retention Feature; U.S. Design patent application Ser. No. 29/428,279, filed on Jul. 27, 2012, entitled Bowl With Utensil Retention Feature. The disclosure of these Design Applications are considered part of and are incorporated by reference in the disclosure of this design application.

FIG. 1 is a top perspective view showing a first embodiment of a utensil retention feature for bowls and pans;

FIG. 2 is a front view of the first embodiment of FIG. 1;

FIG. 3 is a back view of the first embodiment of FIG. 1;

FIG. 4 is a side view of the first embodiment of FIG. 1;

FIG. 5 is another side view of the first embodiment of FIG. 1;

FIG. 6 is a top view of the first embodiment of FIG. 1;

FIG. 7 is a bottom view of the first embodiment of FIG. 1;

FIG. 8 is a top perspective view showing a second embodiment of a utensil retention feature for bowls and pans;

FIG. 9 is a front view of the second embodiment of FIG. 8; FIG. 10 is a back view of the second embodiment of FIG. 8; FIG. 11 is a side view of the second embodiment of FIG. 8; FIG. 12 is another side view of the second embodiment of FIG. 8;

FIG. 13 is a top view of the second embodiment of FIG. 8; FIG. 14 is a bottom view of the second embodiment of FIG. 8; FIG. 15 is a top perspective view showing a third embodiment of a utensil retention feature for bowls and pans;

FIG. 16 is a front view of the third embodiment of FIG. 15;

FIG. 17 is a back view of the third embodiment of FIG. 15;

FIG. 18 is a side view of the third embodiment of FIG. 15;

FIG. 19 is another side view of the third embodiment of FIG. 15;

FIG. 20 is a top view of the third embodiment of FIG. 15;

FIG. 21 is a bottom view of the third embodiment of FIG. 15;

FIG. 22 is a top perspective view showing a fourth-embodiment of a utensil retention feature for bowls and pans;

FIG. 23 is a front view of the fourth embodiment of FIG. 22;

FIG. 24 is a back view of the fourth embodiment of FIG. 22;

FIG. 25 is a side view of the fourth embodiment of FIG. 22;

FIG. 26 is another side view of the fourth embodiment of FIG. 22;

FIG. 27 is a top view of the fourth embodiment of FIG. 22;

FIG. 28 is a bottom view of the fourth embodiment of FIG. 22;

and,

FIG. 29 is an enlarged, broken away view of area 29 on FIG. 1.

The broken lines of the preceding FIGURES are for illustrative purposes only and form no part of the claimed design.

**1 Claim, 11 Drawing Sheets**

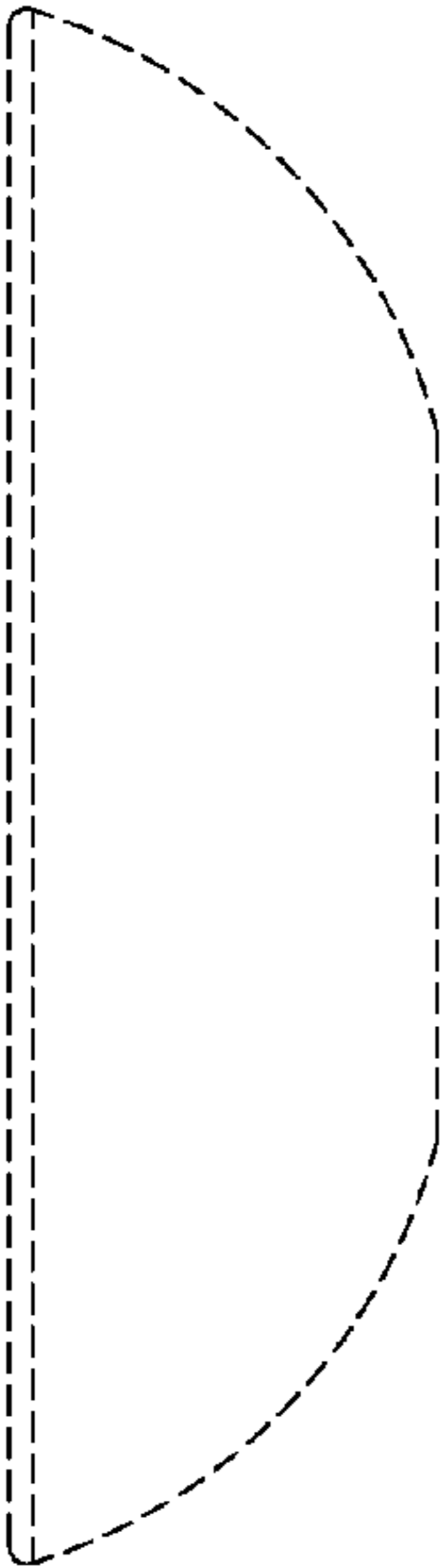


FIG. 3

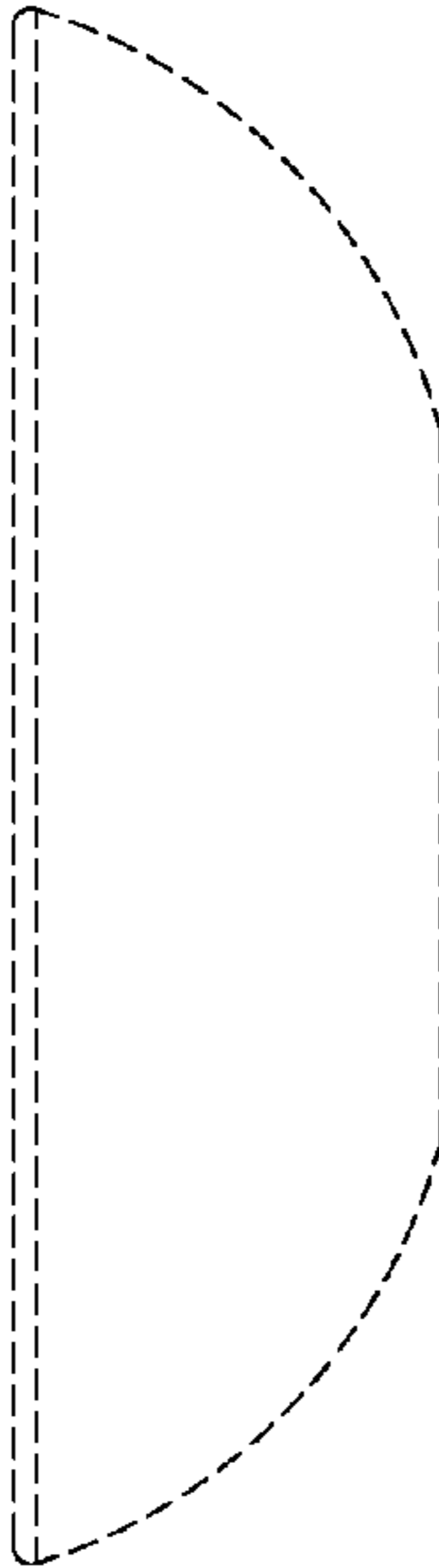


FIG. 4

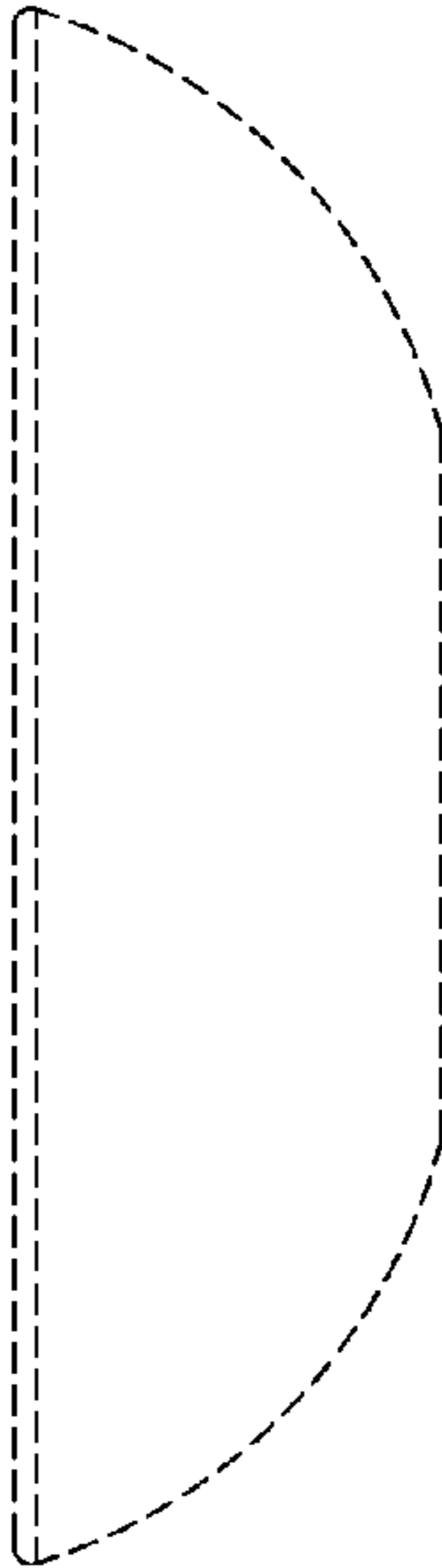


FIG. 5

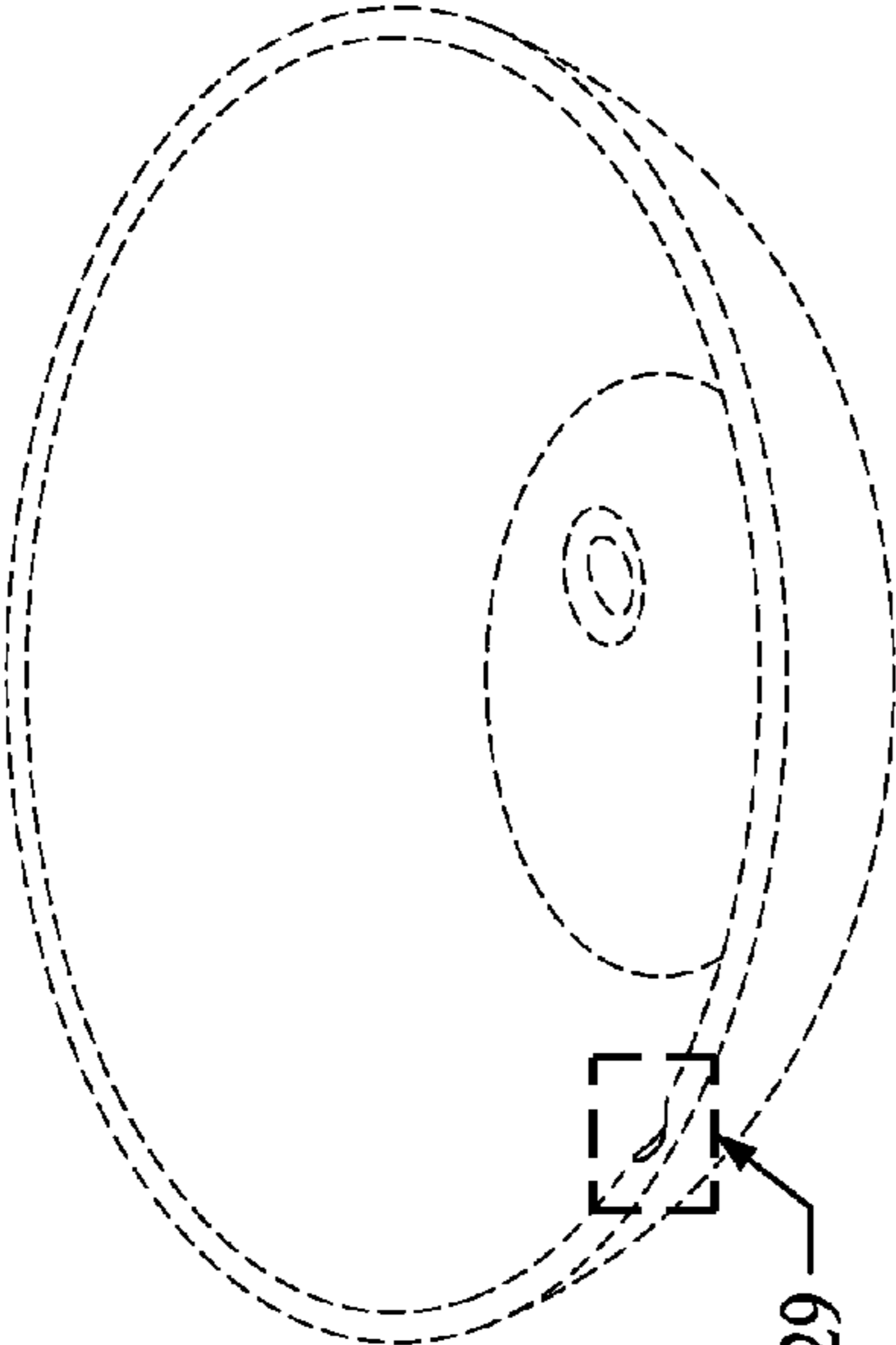


FIG. 1

FIG. 29

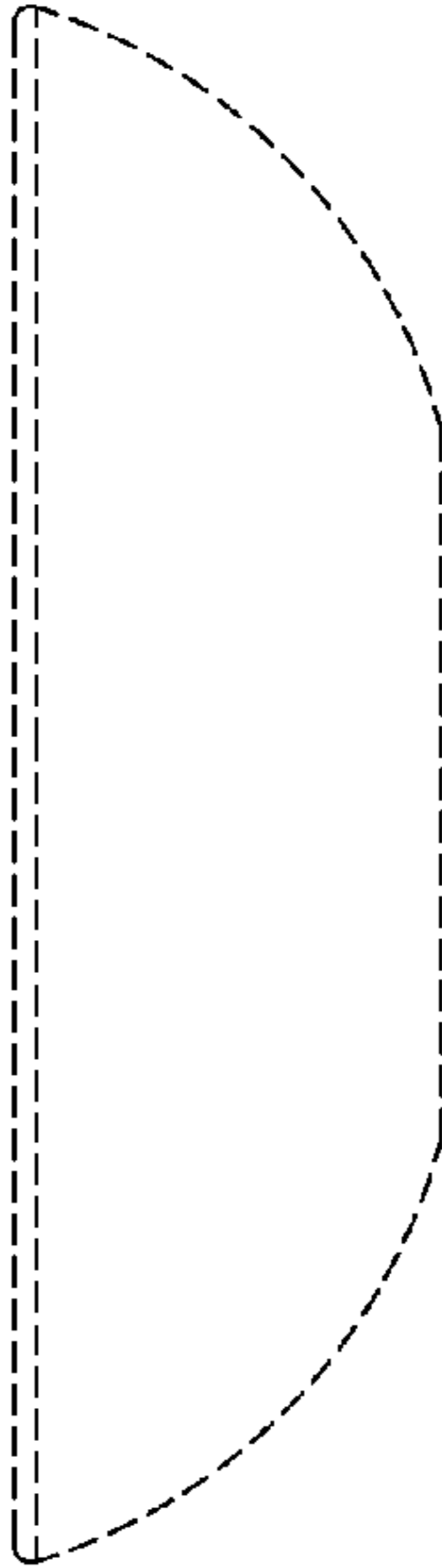


FIG. 2

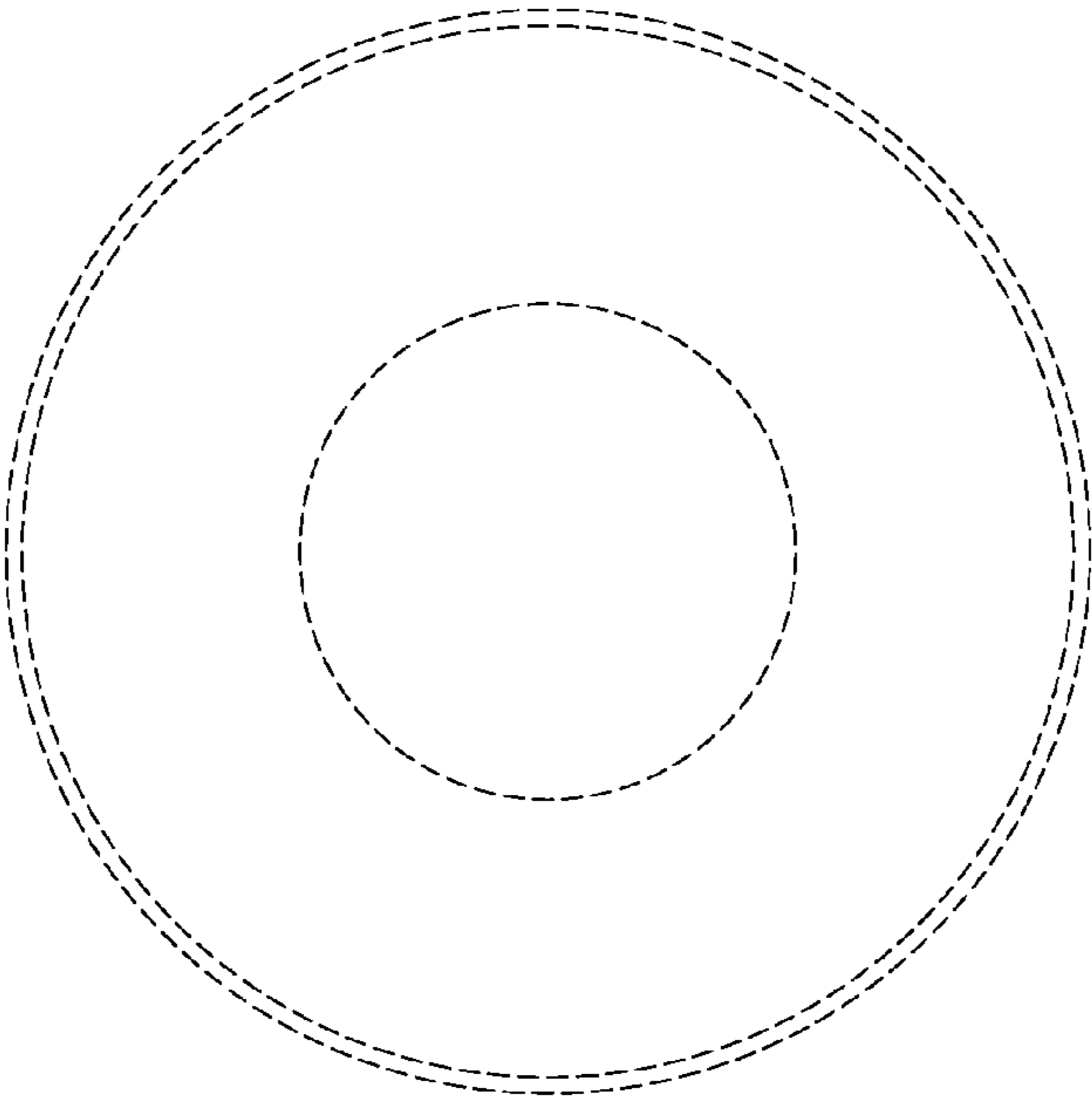


FIG. 7

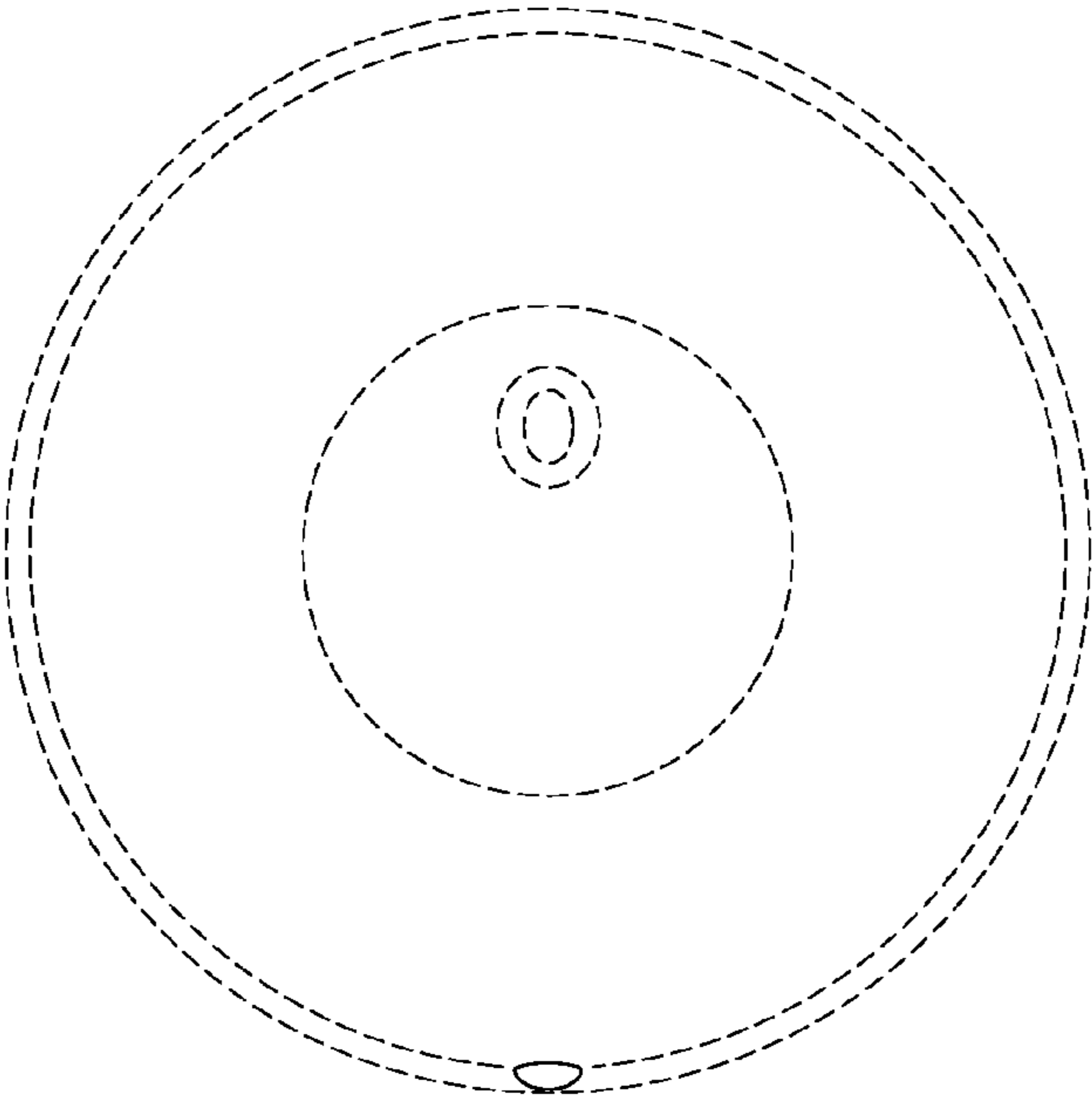


FIG. 6

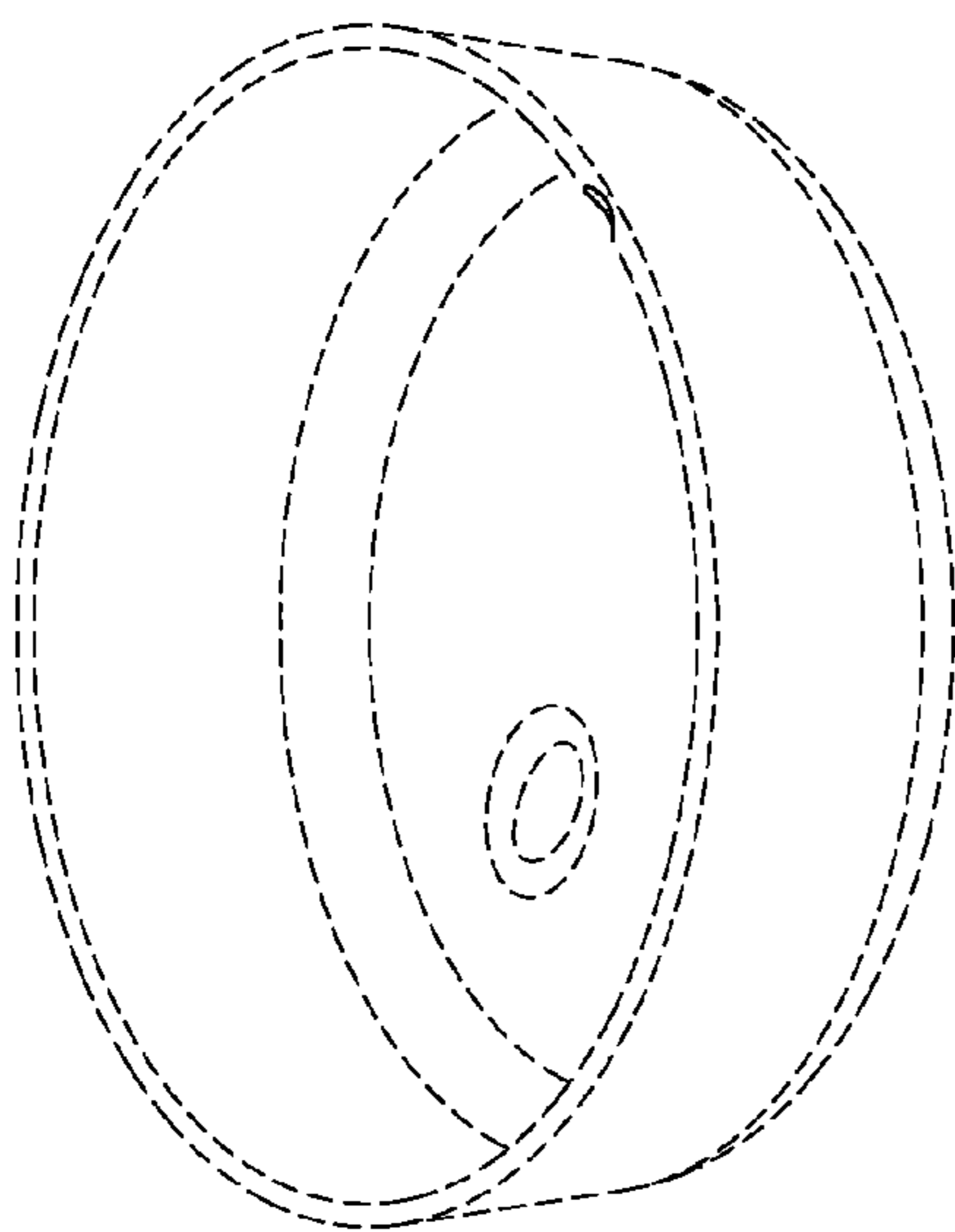


FIG. 8

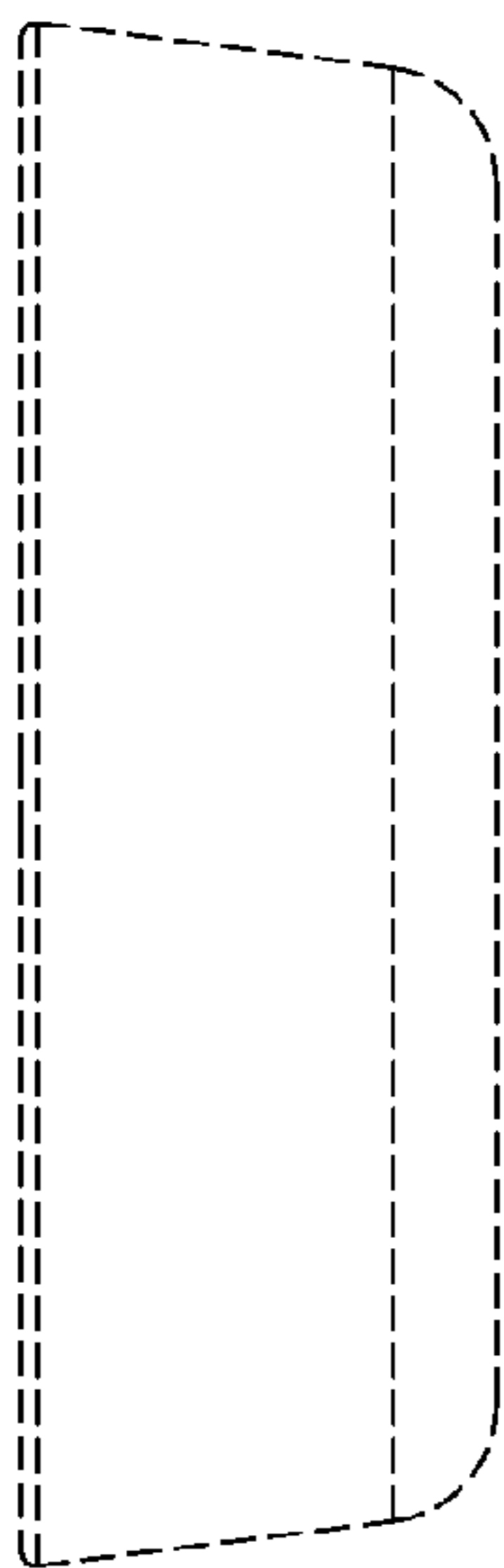


FIG. 10

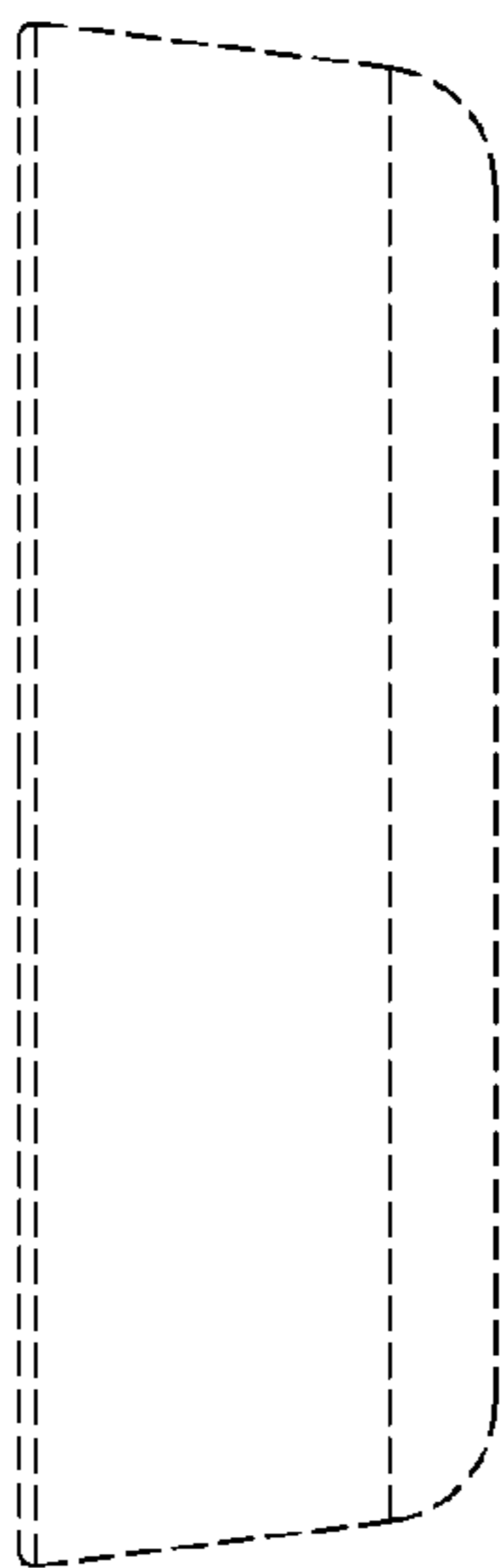


FIG. 11



FIG. 9

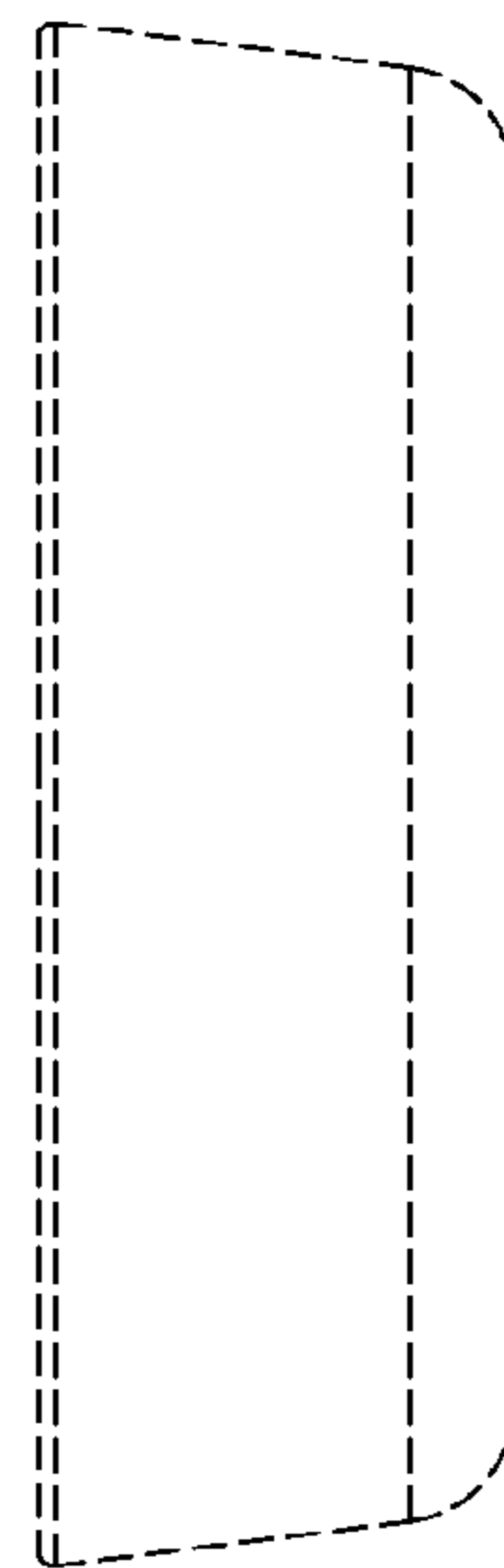


FIG. 12

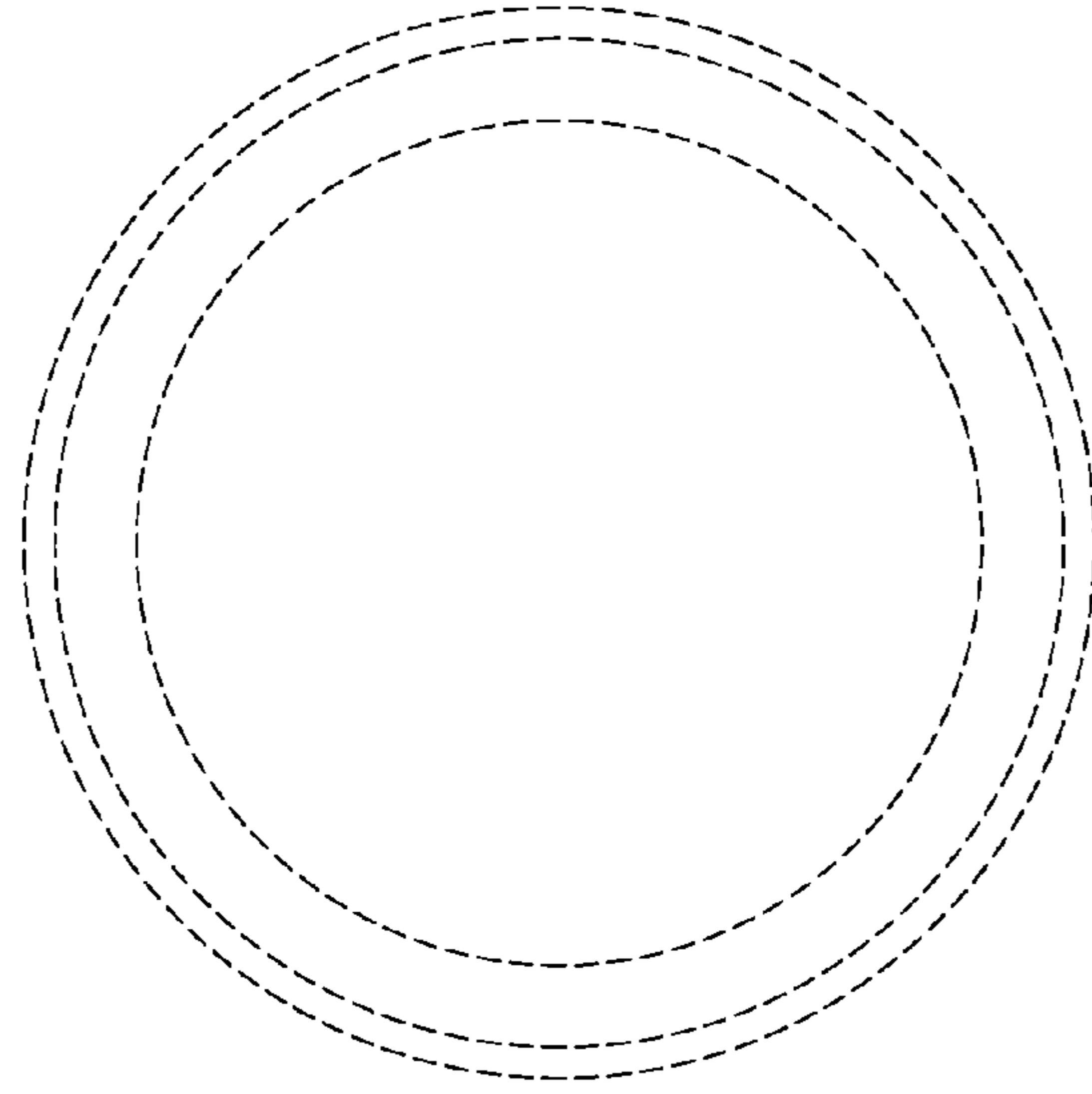


FIG. 14

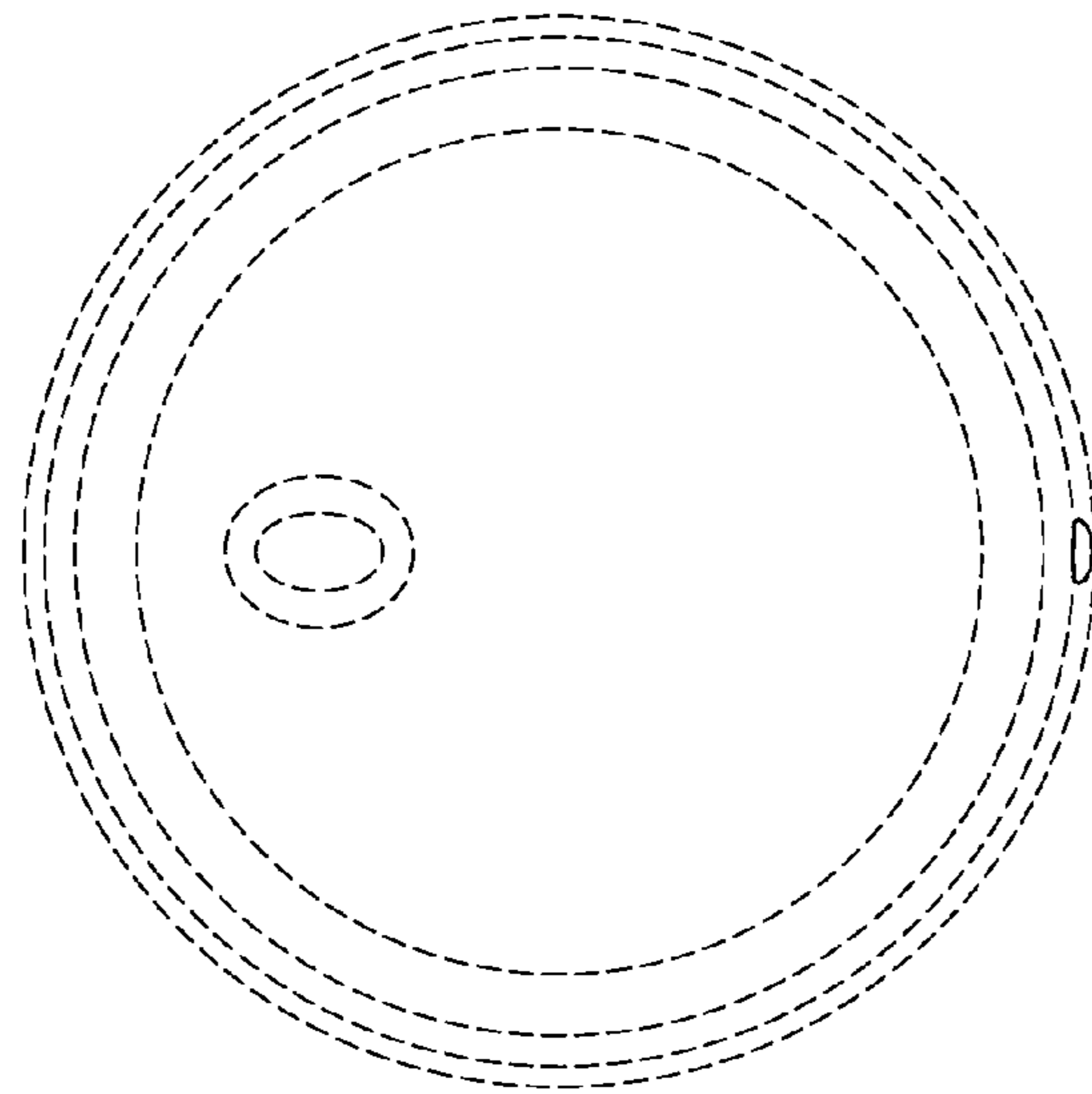


FIG. 13

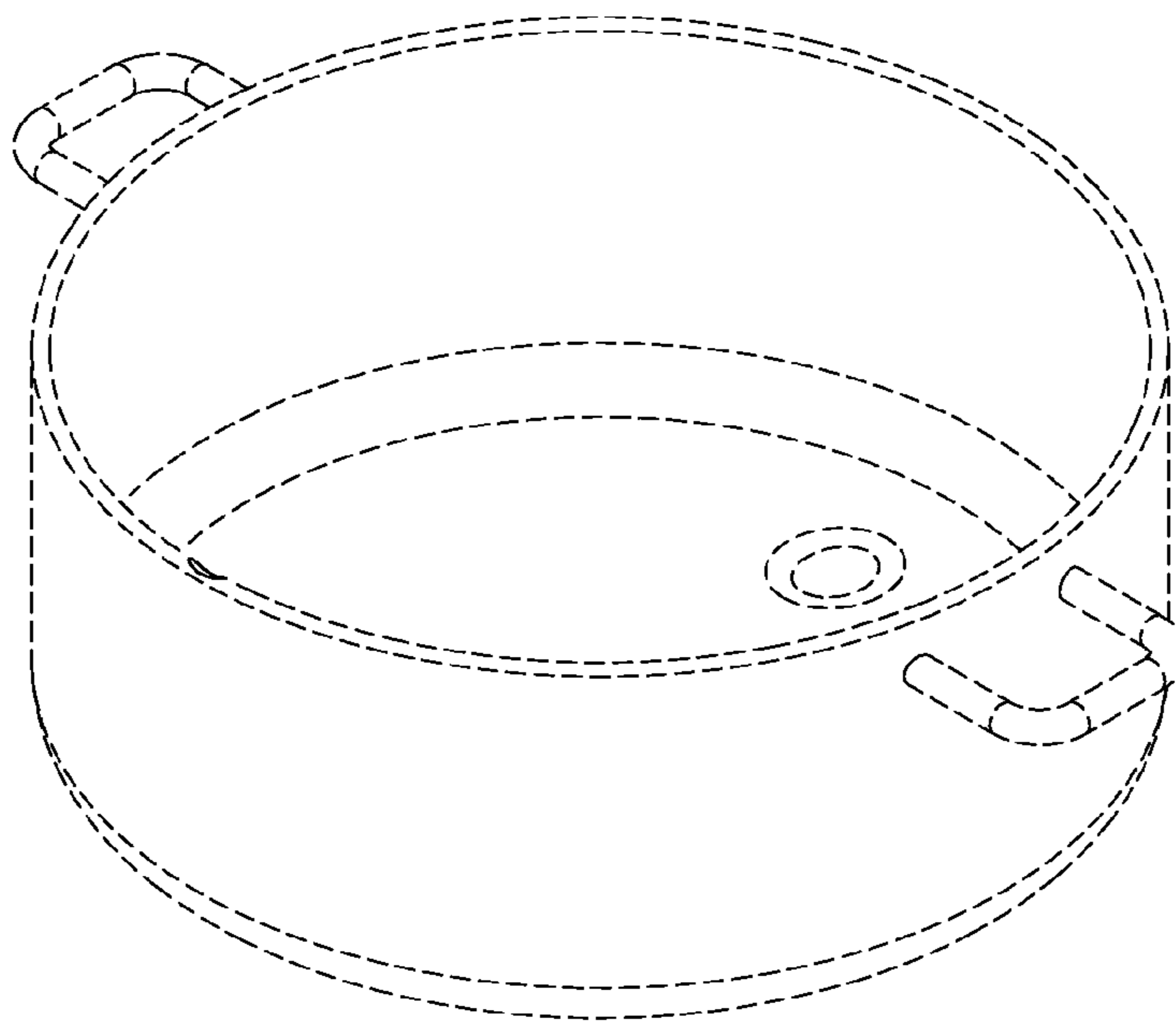


FIG. 15



FIG. 16

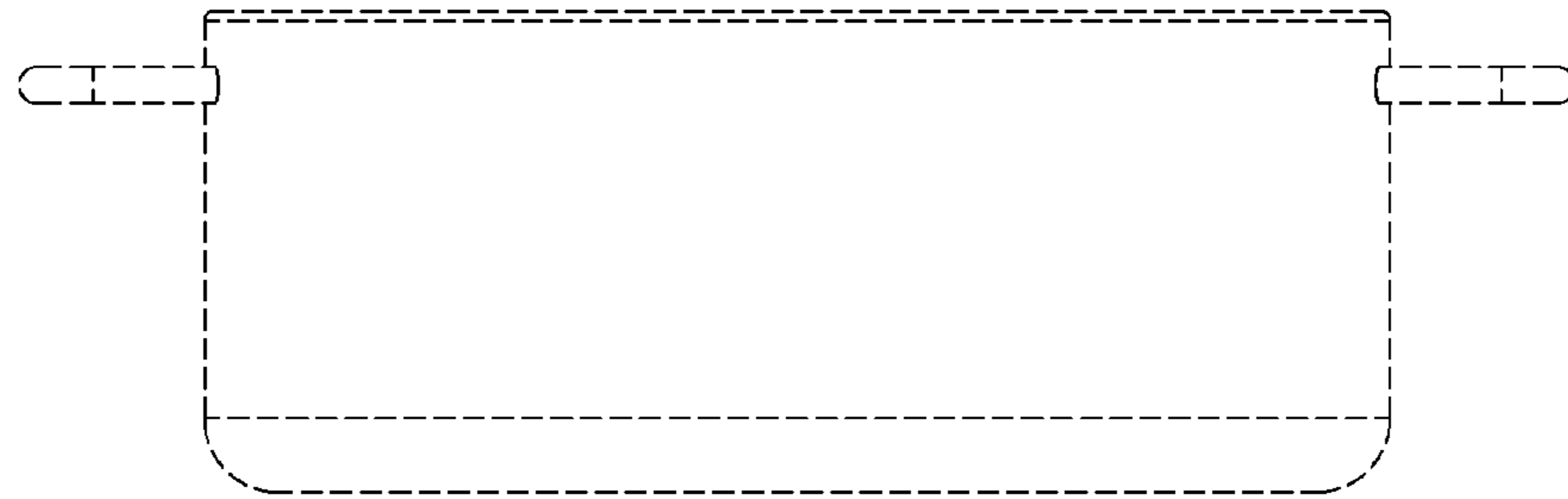


FIG. 17

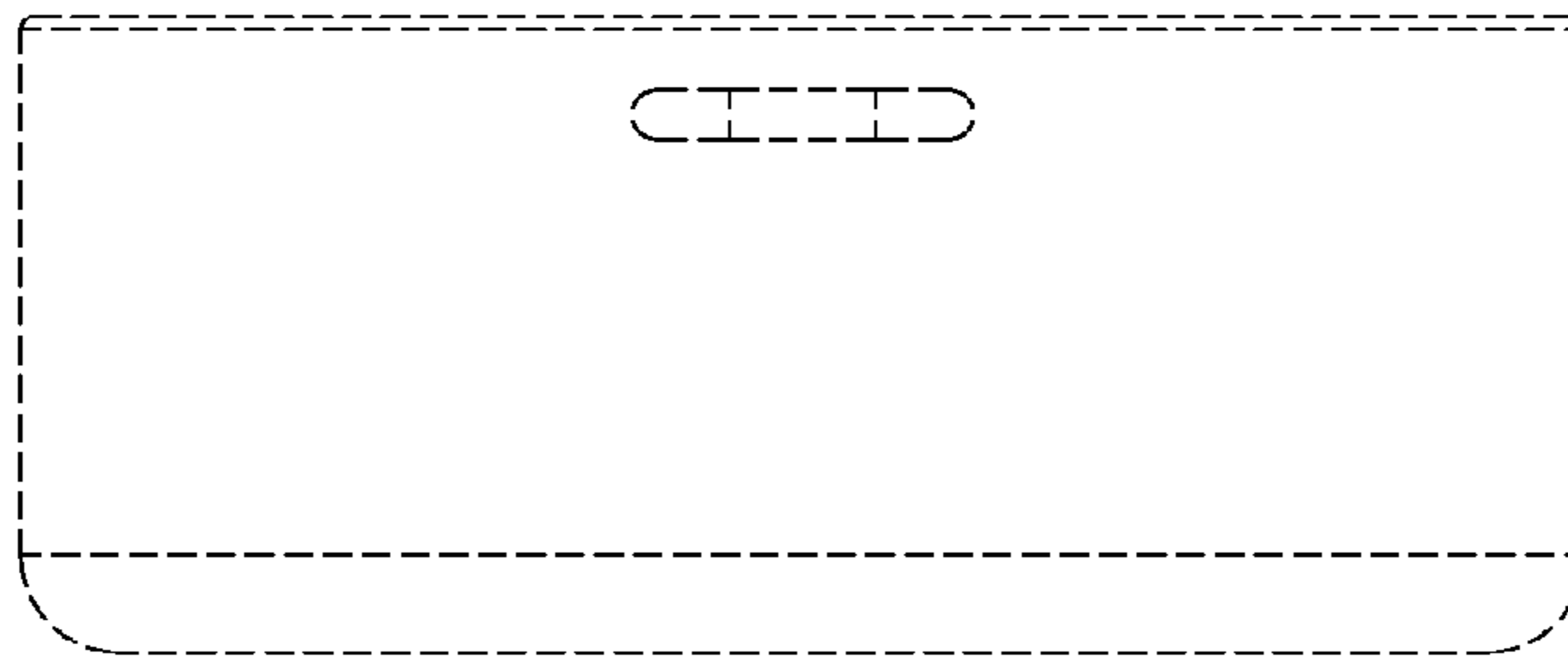


FIG. 18

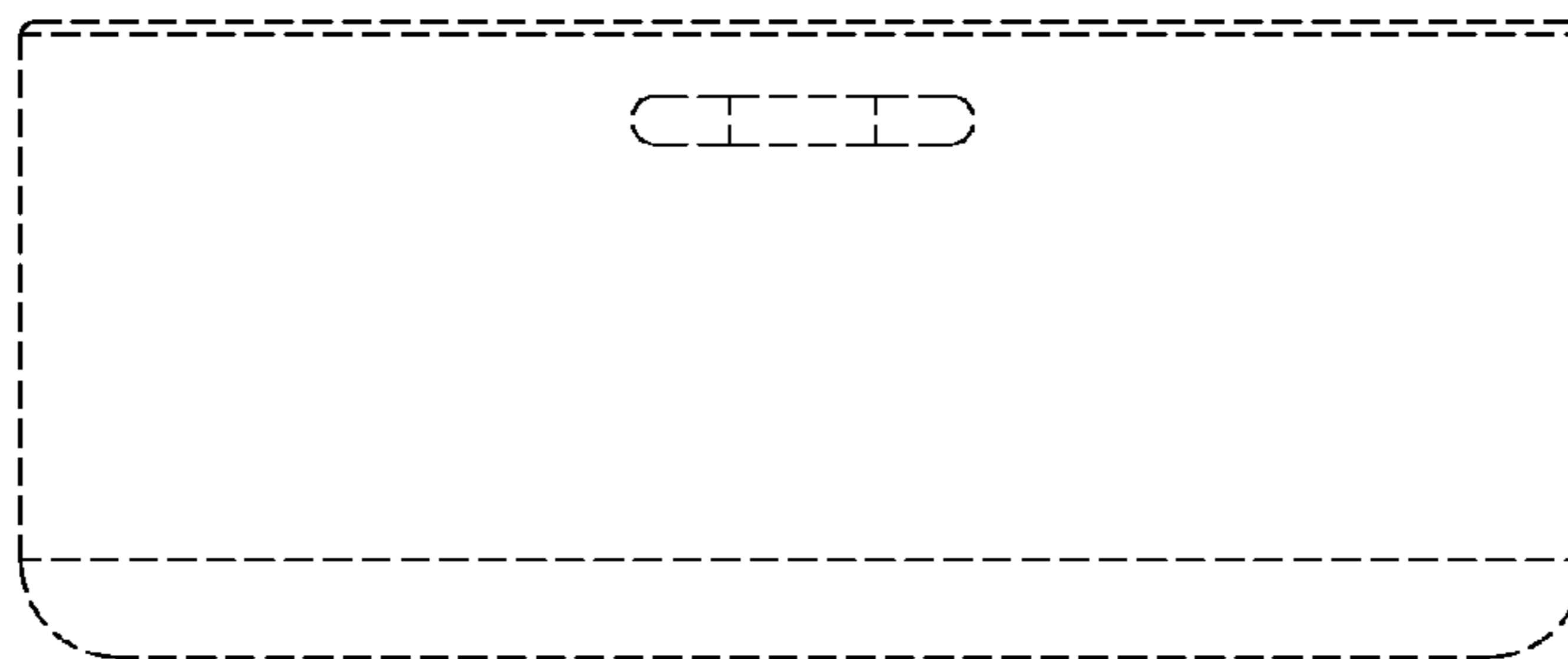


FIG. 19



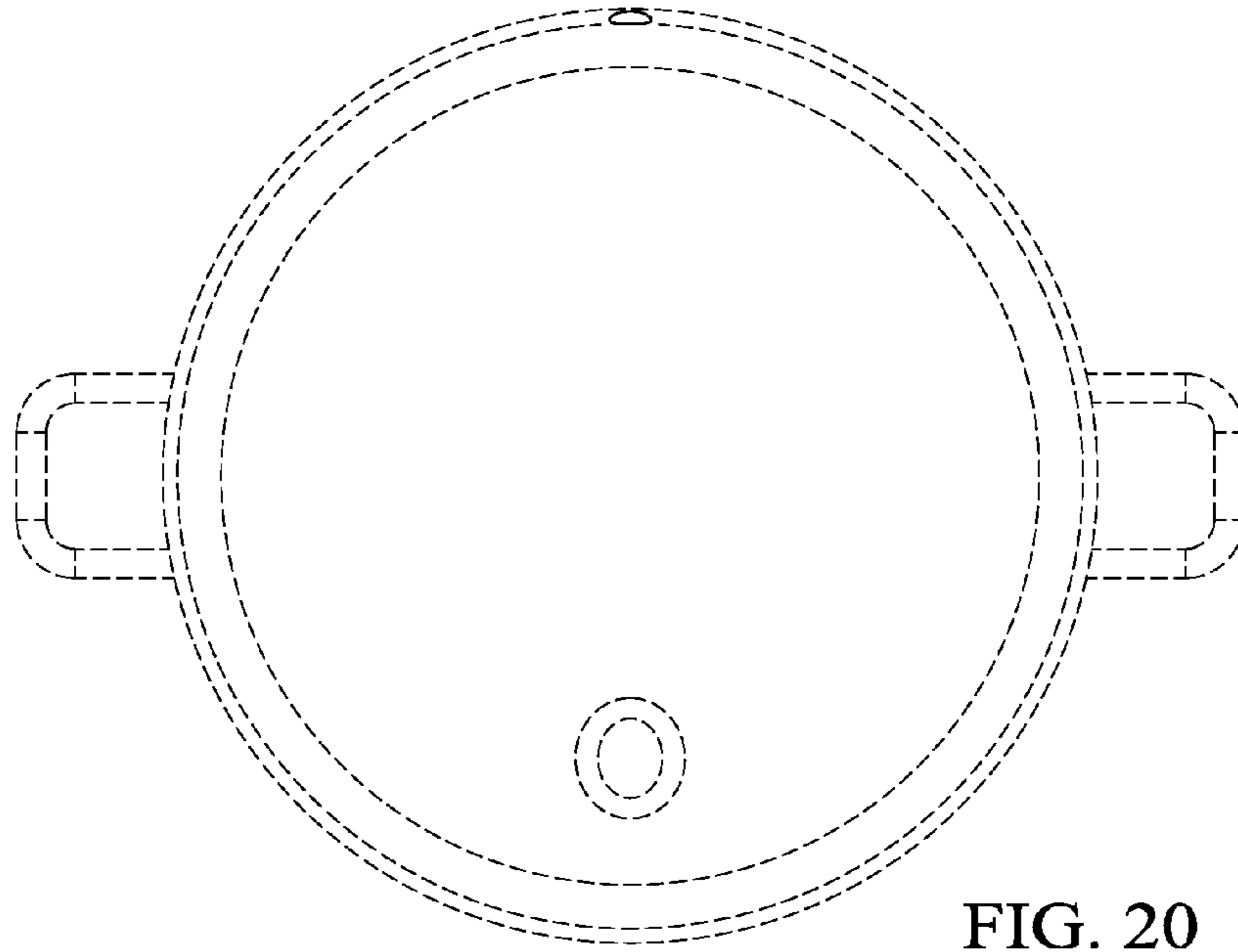


FIG. 20

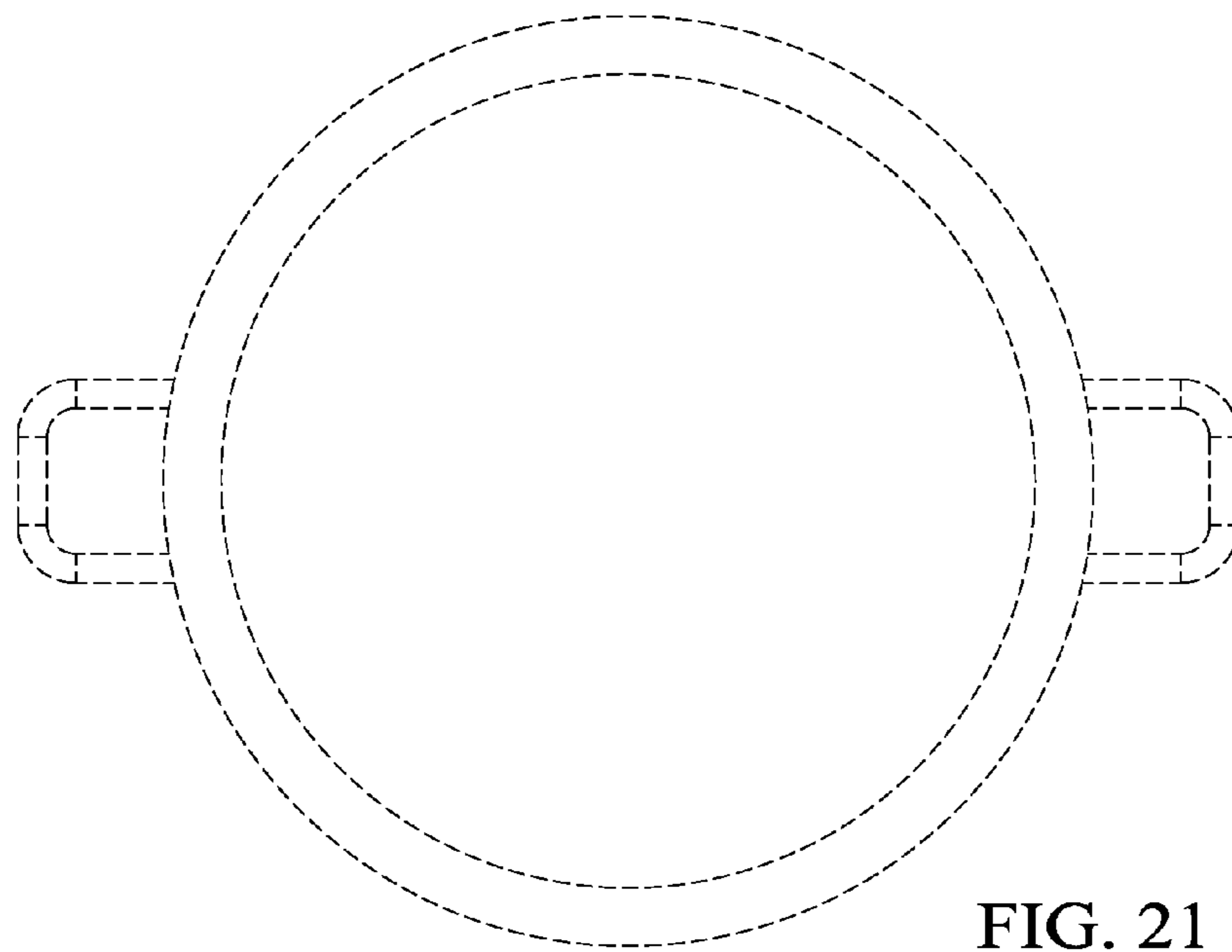


FIG. 21

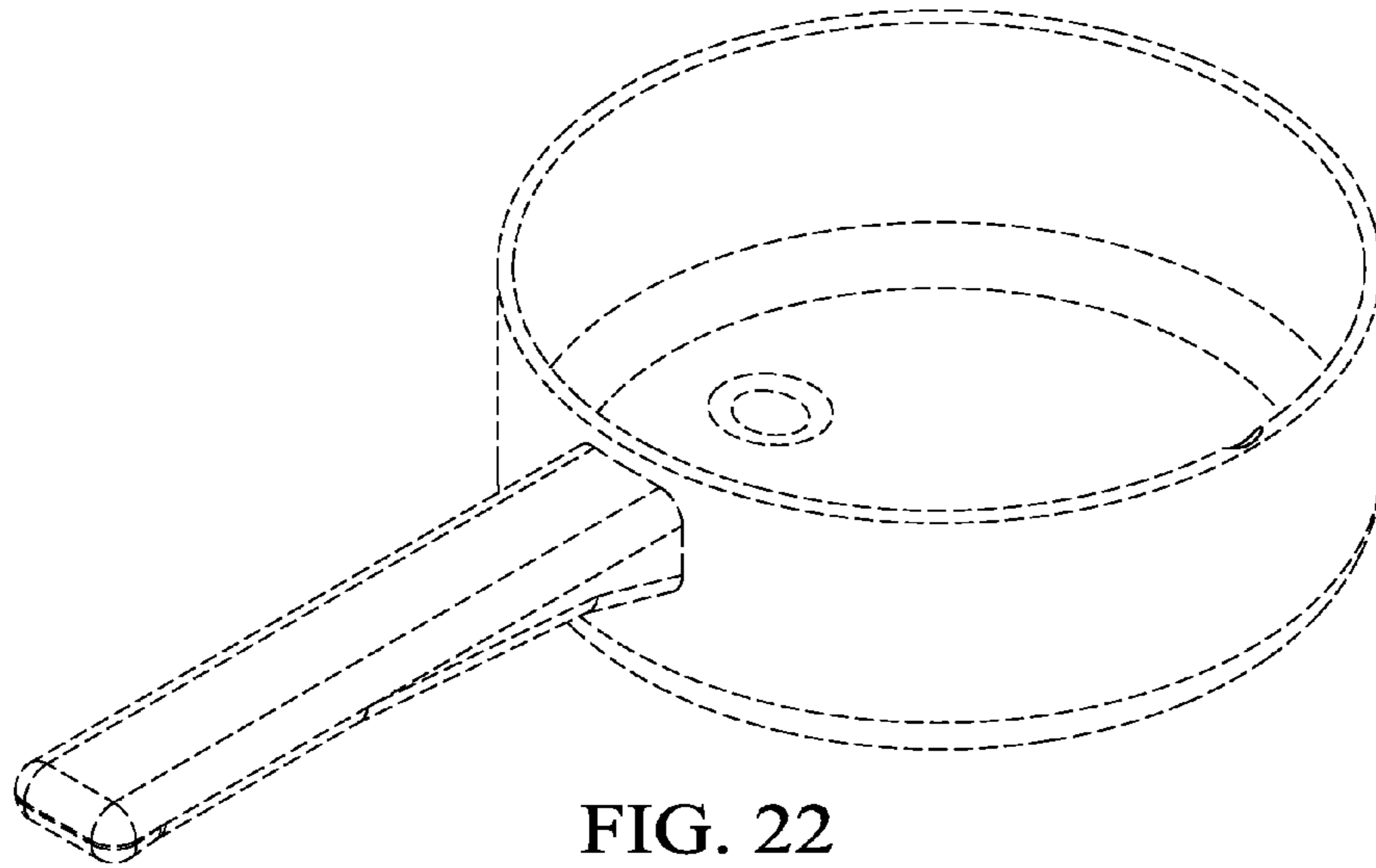


FIG. 22

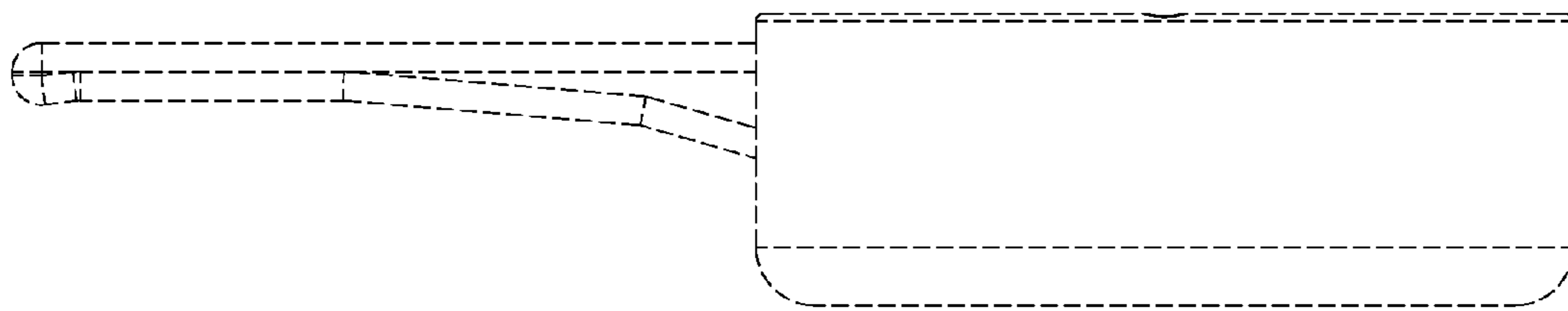


FIG. 23

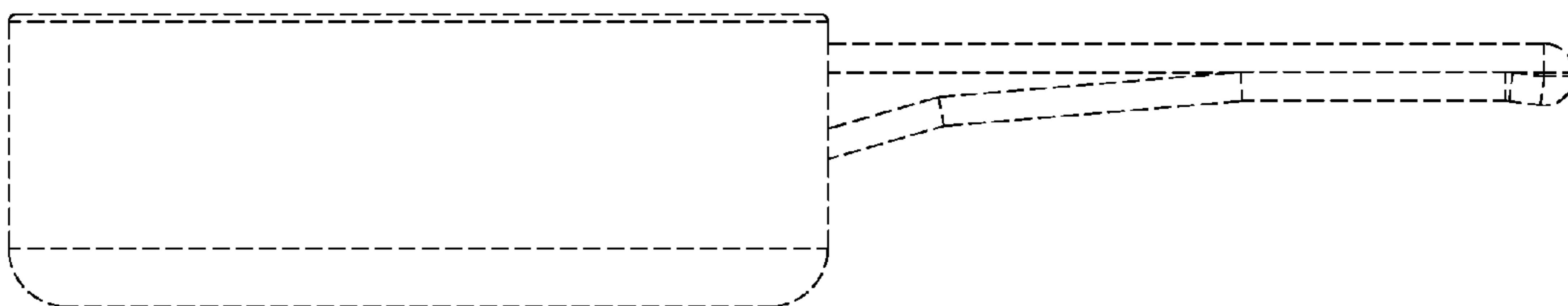


FIG. 24

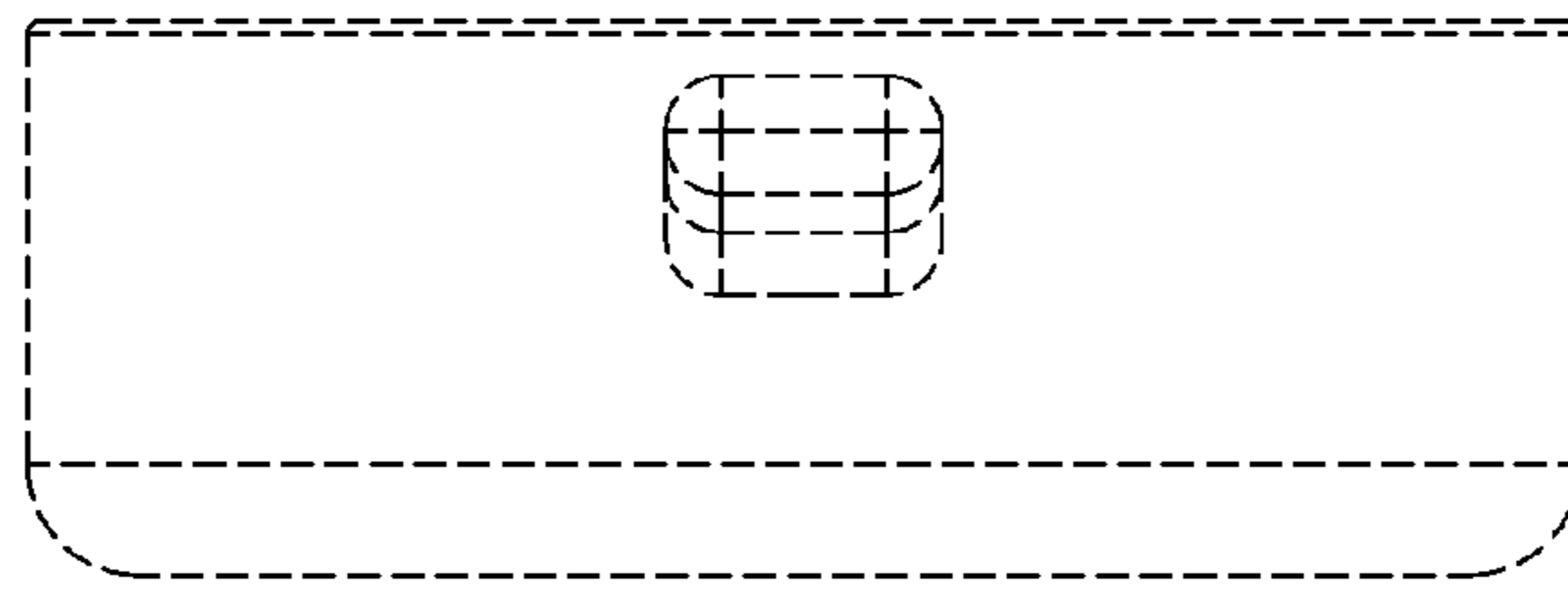


FIG. 25



FIG. 26

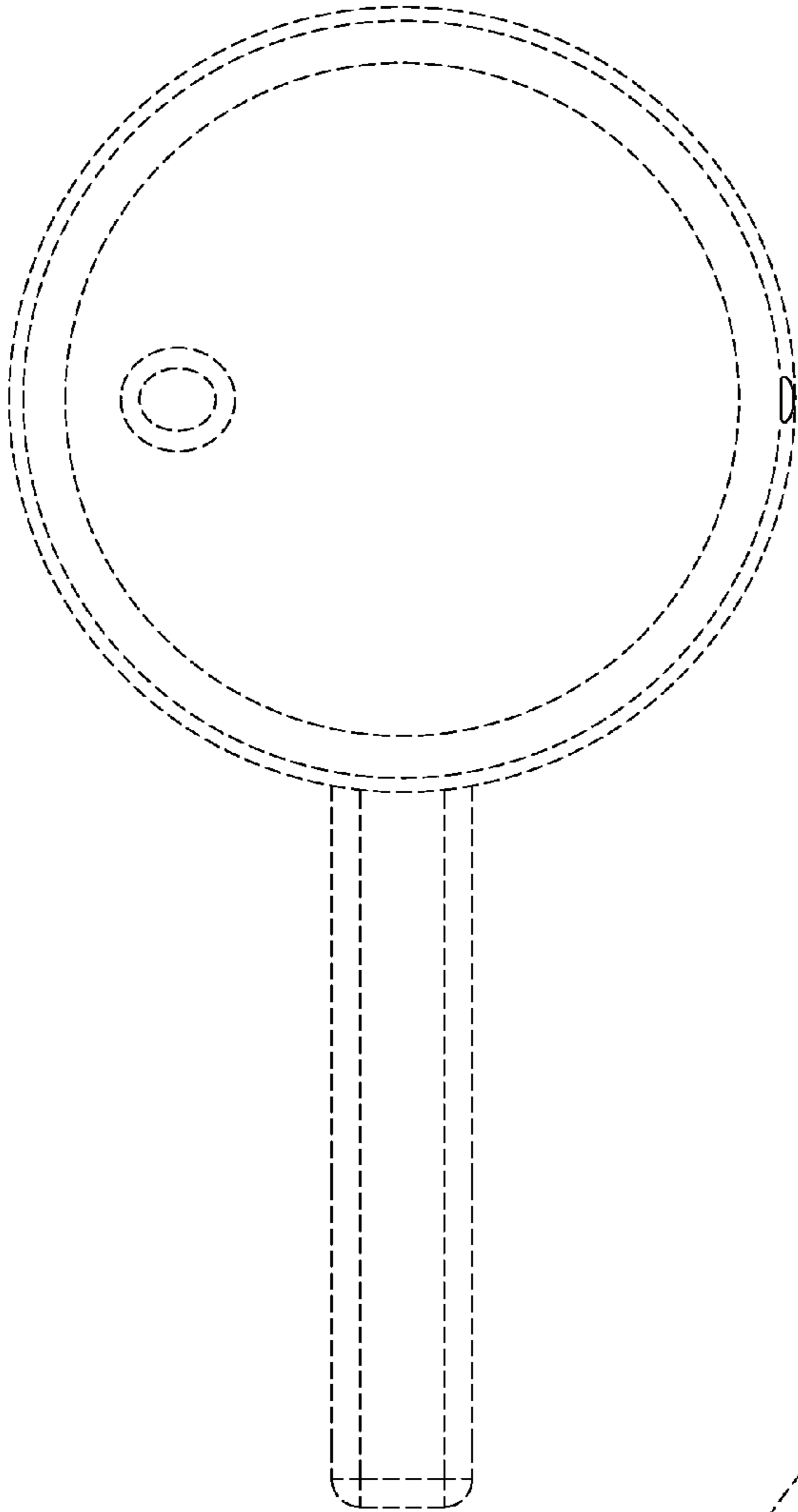


FIG. 27

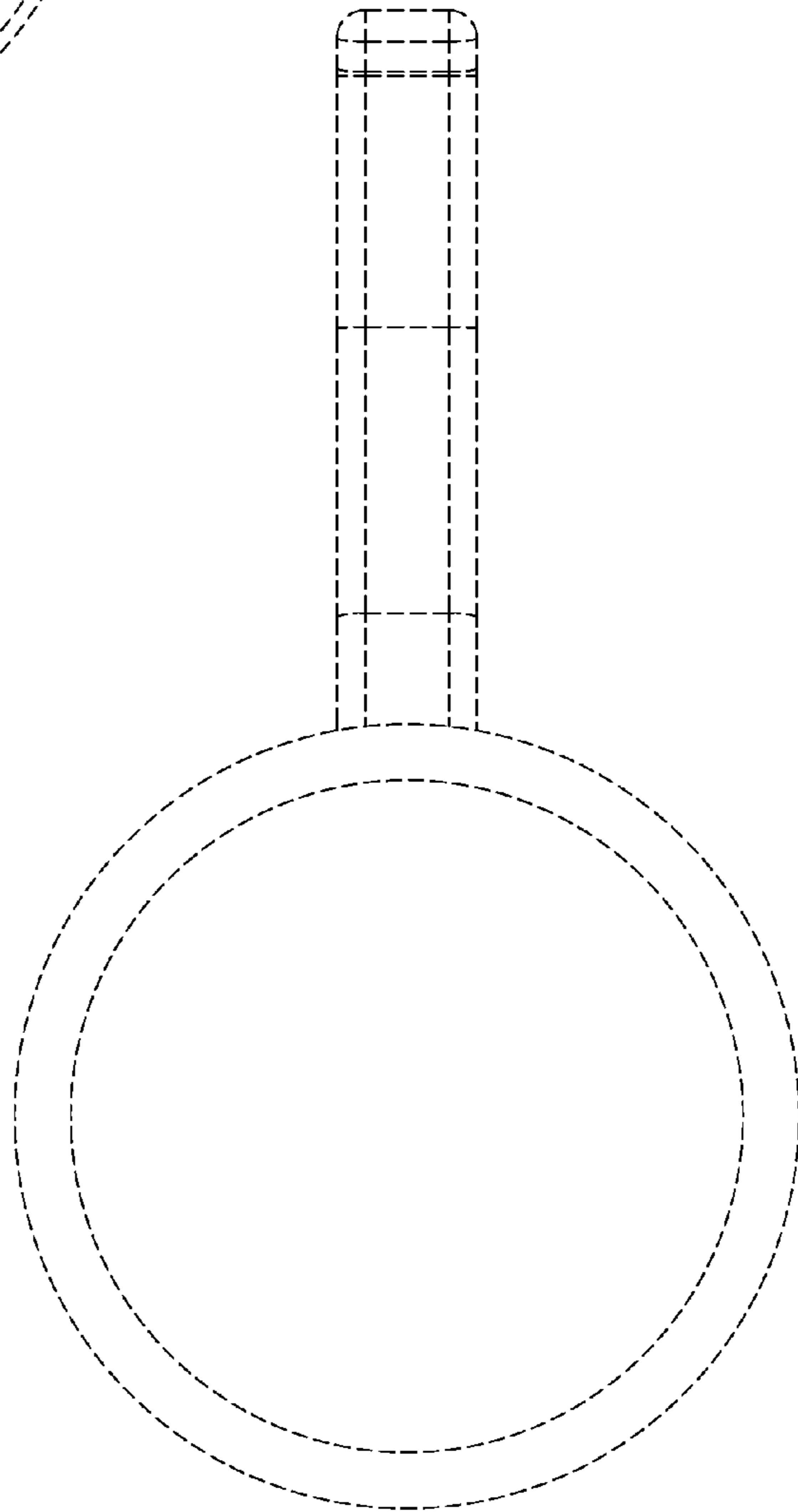


FIG. 28

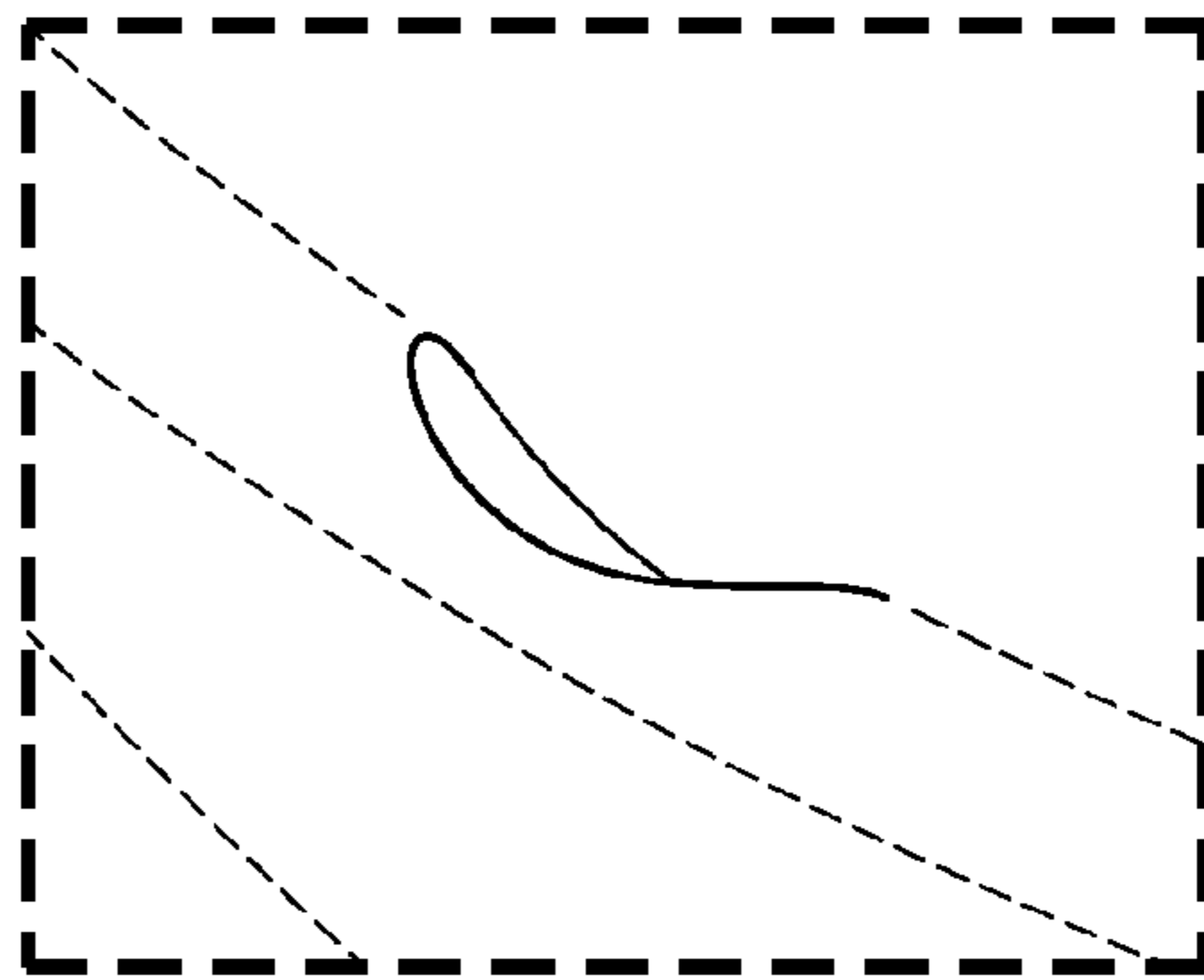


FIG. 29