



US00D688514S

(12) **United States Design Patent**
Lin

(10) **Patent No.:** **US D688,514 S**

(45) **Date of Patent:** **** Aug. 27, 2013**

(54) **DOUGH ROLLER**

(76) Inventor: **King-Yuan Lin**, Dallas, TX (US)

(**) Term: **14 Years**

(21) Appl. No.: **29/395,555**

(22) Filed: **Feb. 14, 2012**

(51) **LOC (9) Cl.** **31-00**

(52) **U.S. Cl.**
USPC **D7/368**

(58) **Field of Classification Search**
USPC D7/368, 376, 381; 99/348, 353;
425/193, 355, 365, 367, 373, 151, 215, 225,
425/320, 363, 362
See application file for complete search history.

(56) **References Cited**

U.S. PATENT DOCUMENTS

1,314,170	A	8/1919	Van Houten	
2,790,397	A	4/1957	Winkler	
3,272,153	A *	9/1966	Morabito	425/297
4,177,030	A	12/1979	Selling	
4,255,106	A *	3/1981	Anetsberger et al.	425/152
4,586,888	A *	5/1986	Anderson	425/362
4,668,174	A	5/1987	Williams	
5,112,208	A *	5/1992	Voth	425/367
5,460,506	A	10/1995	Price et al.	
D376,725	S	12/1996	King	
5,605,708	A *	2/1997	Cummins et al.	425/332
5,775,804	A *	7/1998	Meier	366/76.8

5,783,222	A *	7/1998	Voyatzakis et al.	425/151
6,955,533	B2 *	10/2005	Morikawa	425/193
D612,666	S *	3/2010	Lin	D7/368
D623,467	S *	9/2010	Lin	D7/368

OTHER PUBLICATIONS

Anetsberger Brother, Inc. Anets Dough Roller Series, Northbrook, IL, www.anetsberger.com.

Somerset Industries, Inc., North Billerica, MA, Model CDR-1550 Dough Roller, www.smerset.com/dough-roller.

Somerset Industries, Inc., North Billerica, MA, Model CDR-2000 Dough Roller, www.smerset.com/dough-roller.

Somerset Industries, Inc. North Billerica, MA, Model CDR-2100S Dough Roller, www.smerset.com/dough-roller.

* cited by examiner

Primary Examiner — Terry Wallace

(74) Attorney, Agent, or Firm — Todd N. Hathaway

(57) **CLAIM**

The ornamental design for a dough roller, as shown and described.

DESCRIPTION

FIG. 1 is a front elevational view of a dough roller showing my new design;

FIG. 2 is a right-side elevational view of the pizza oven of FIG. 1;

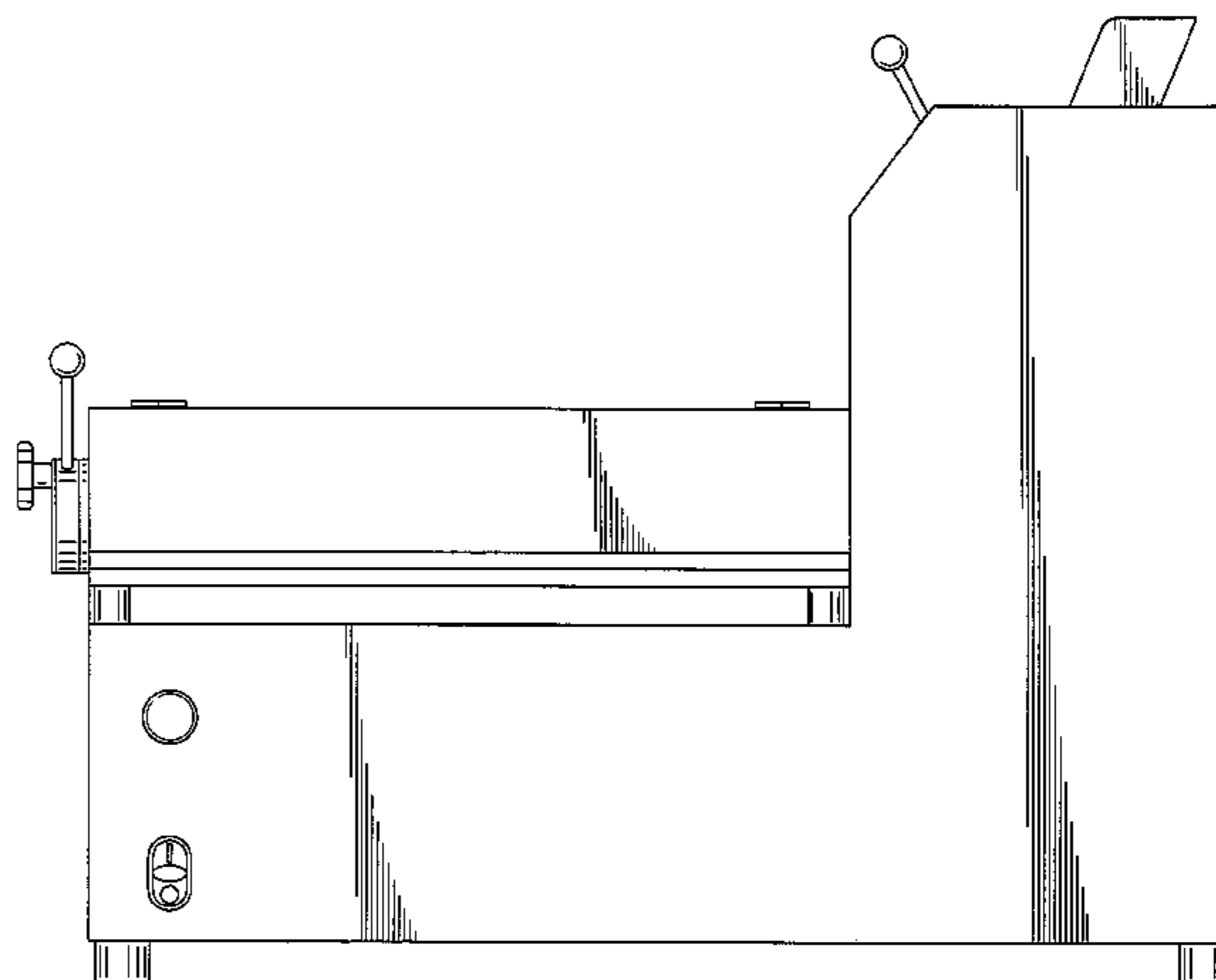
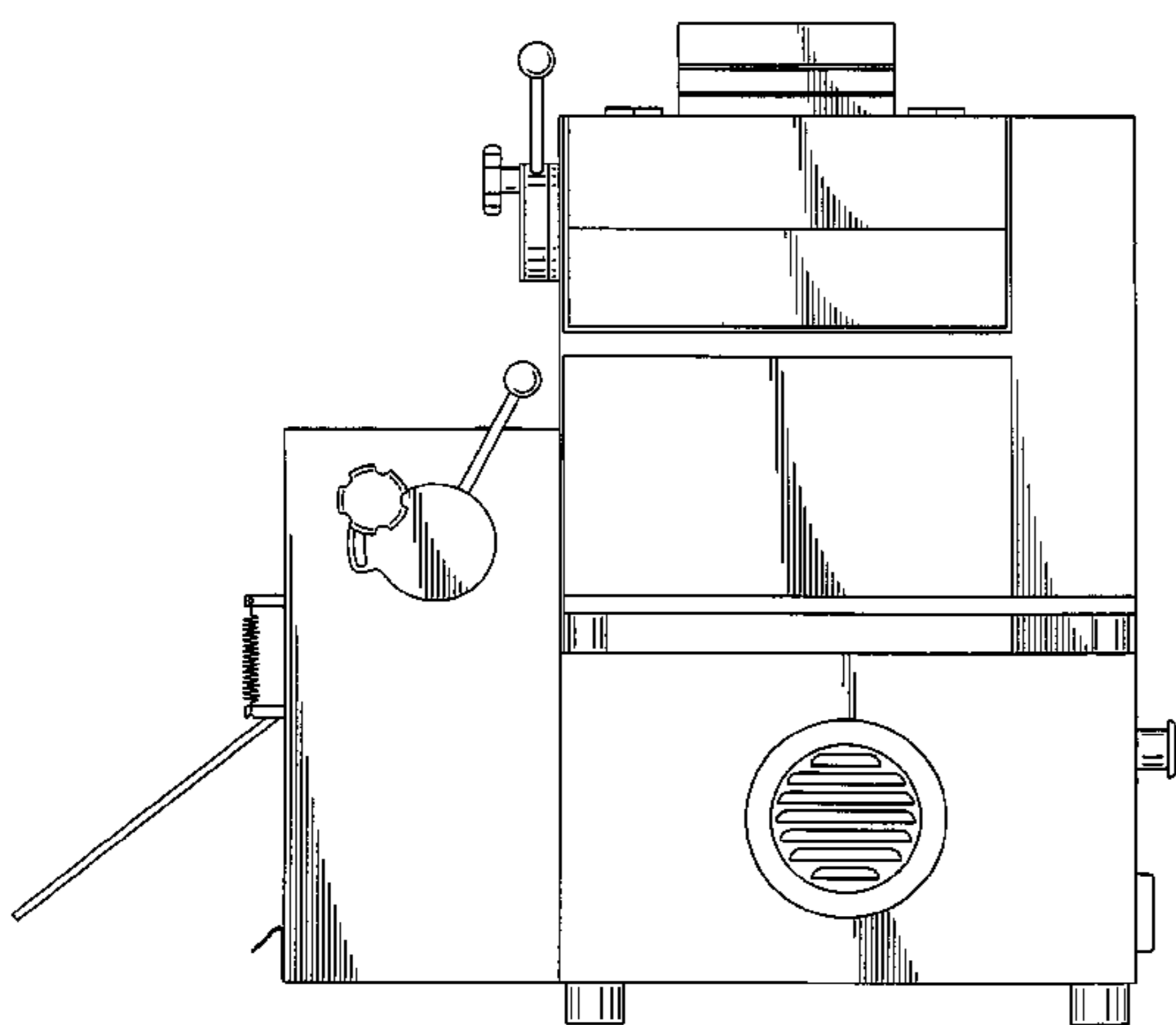
FIG. 3 is a left-side elevational view thereof;

FIG. 4 is a rear elevational view thereof;

FIG. 5 is a top plan view thereof; and,

FIG. 6 is a bottom plan view thereof.

1 Claim, 6 Drawing Sheets



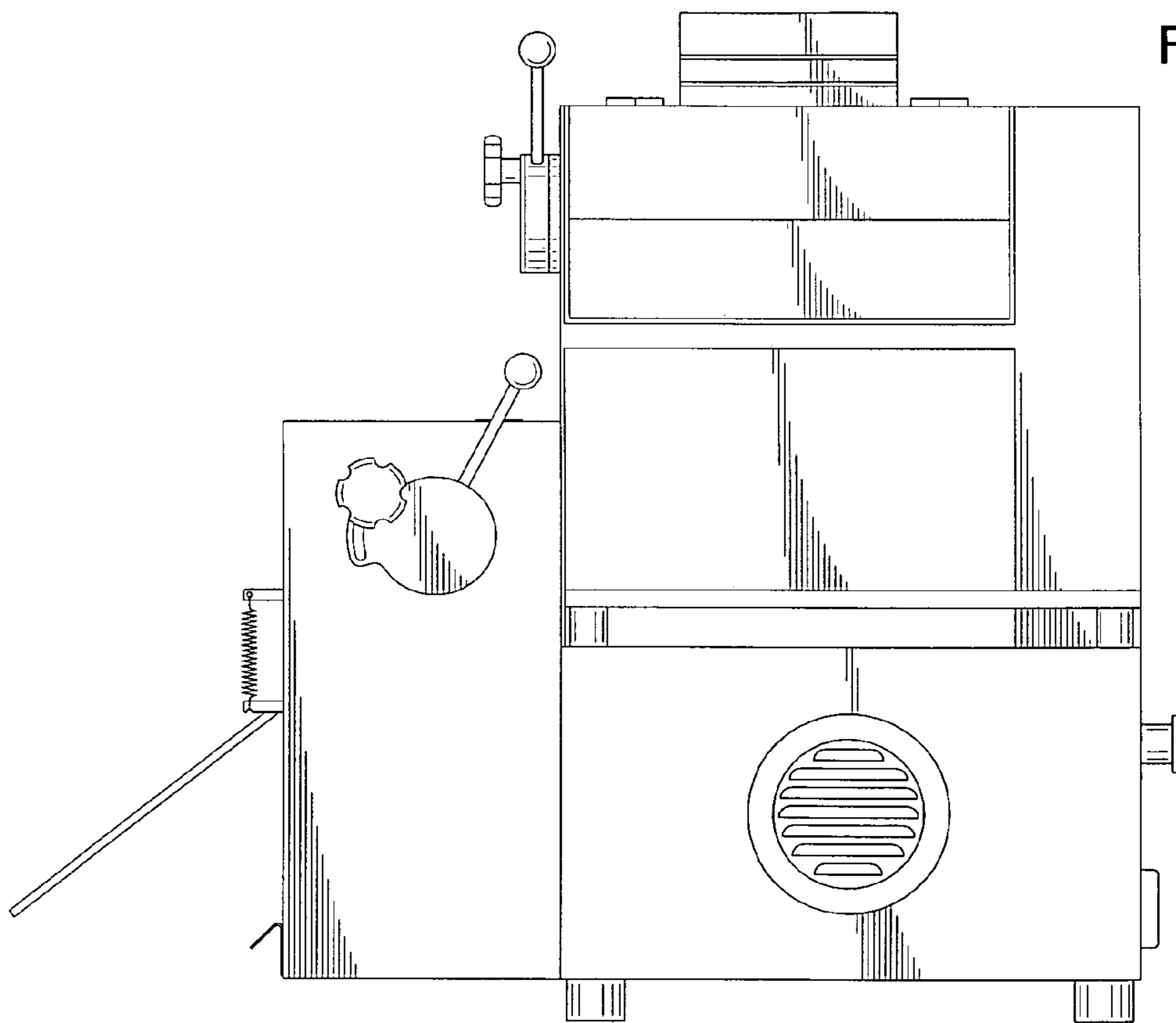
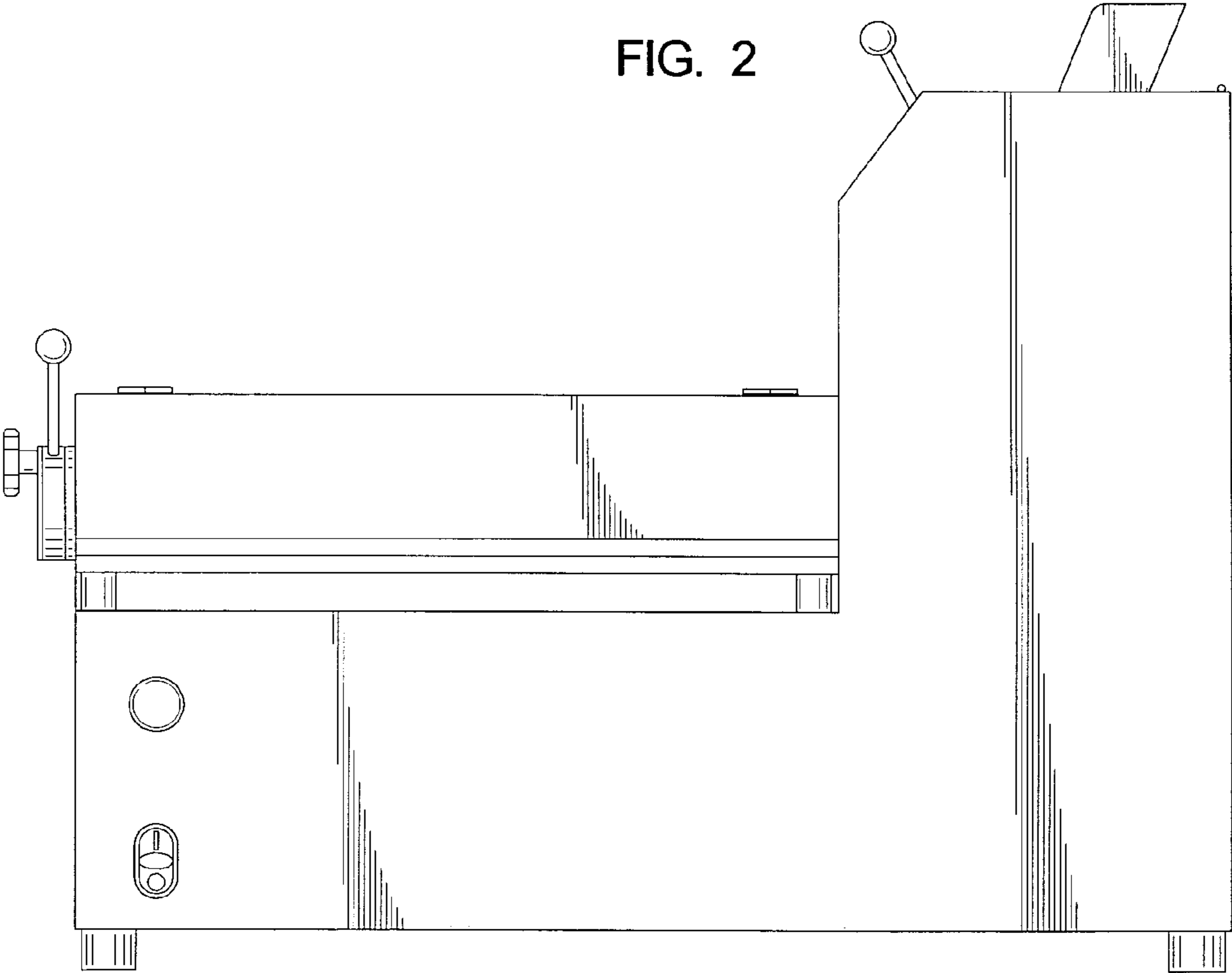


FIG. 1

FIG. 2



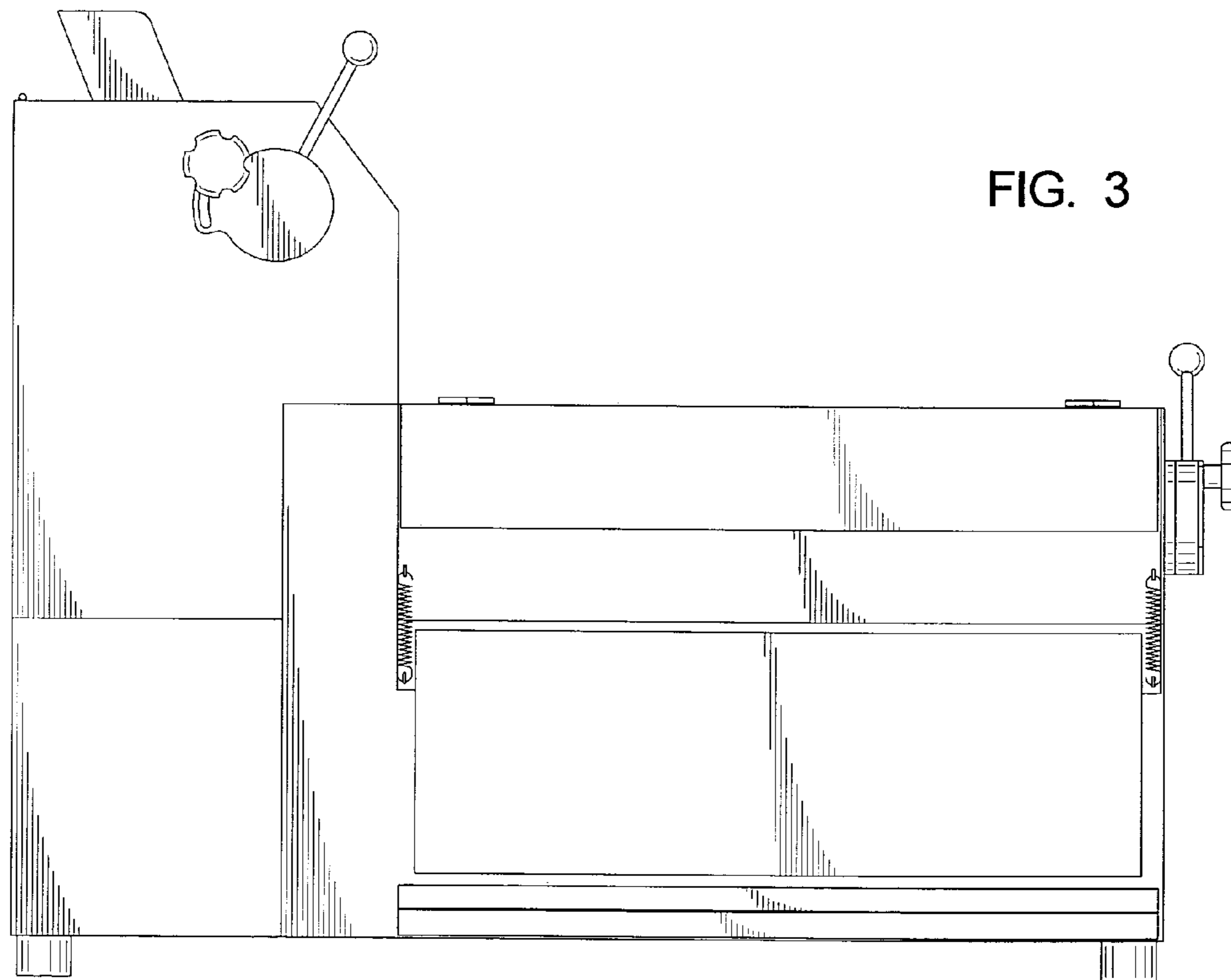
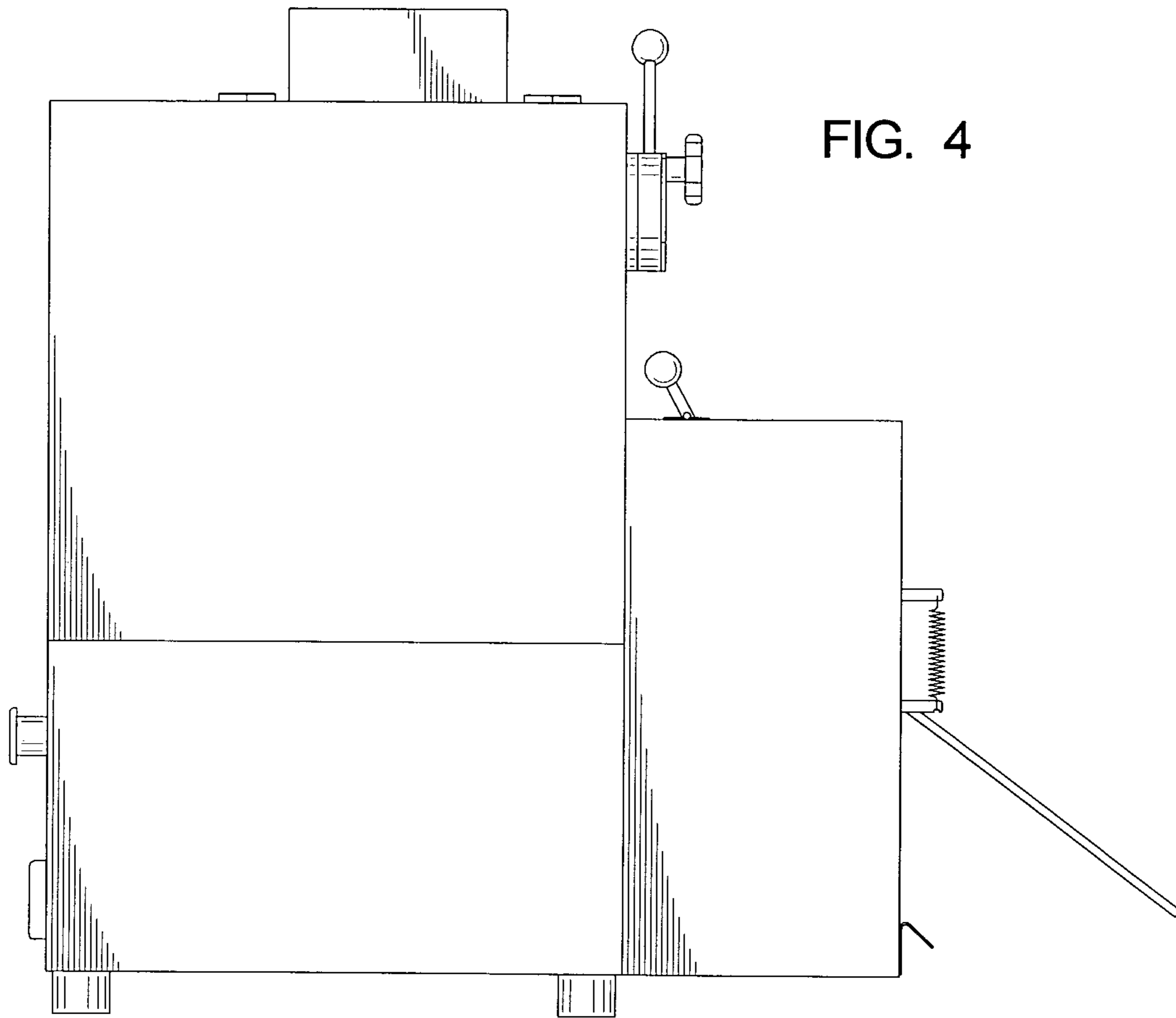


FIG. 3



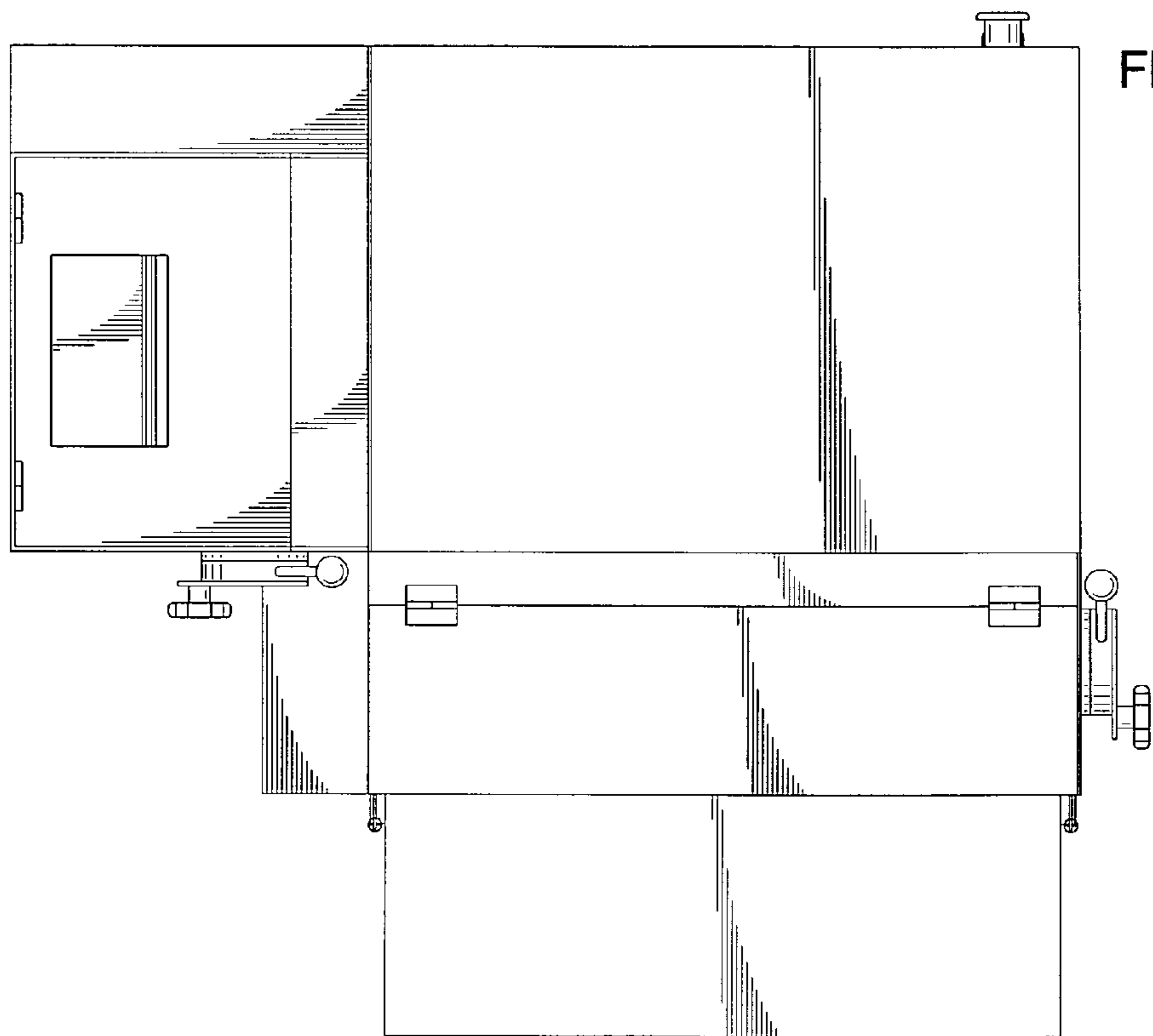


FIG. 5

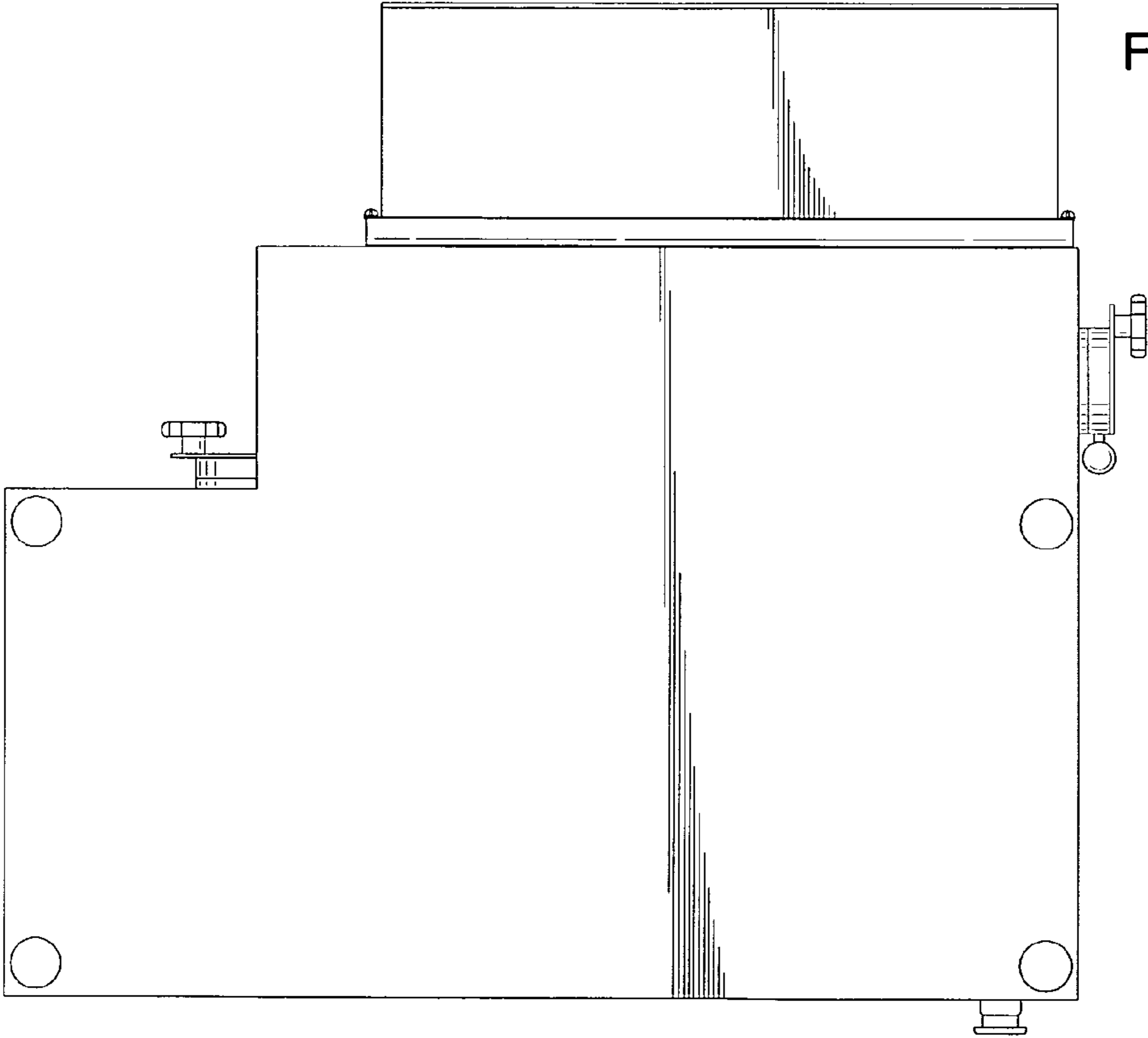


FIG. 6