



US00D688513S

(12) **United States Design Patent**
Garman

(10) **Patent No.:** **US D688,513 S**

(45) **Date of Patent:** **** Aug. 27, 2013**

- (54) **SANDWICH MAKER**
- (71) Applicant: **Hamilton Beach Brands, Inc.**, Glen Allen, VA (US)
- (72) Inventor: **Michael Garman**, Moseley, VA (US)
- (73) Assignee: **Hamilton Beach Brands, Inc.**, Glen Allen, VA (US)
- (**) Term: **14 Years**
- (21) Appl. No.: **29/443,963**
- (22) Filed: **Jan. 24, 2013**

4,967,650 A	11/1990	Weigle	
D332,549 S *	1/1993	Gerlach	D7/360
D370,827 S *	6/1996	Combe	D7/360
D376,067 S *	12/1996	Littmann	D7/360
D402,848 S *	12/1998	Piret	D7/356
D404,244 S *	1/1999	Jozancy	D7/354
5,983,784 A	11/1999	Goldberg	
D449,958 S *	11/2001	Liu	D7/356
D486,352 S *	2/2004	Park	D7/358
6,772,678 B2	8/2004	Choi et al.	
7,005,616 B2	2/2006	Kim et al.	
7,238,921 B2	7/2007	Beesley et al.	
7,250,587 B2	7/2007	Ely et al.	
7,250,588 B2	7/2007	Ely et al.	
7,467,583 B2	12/2008	Lam	
D641,204 S *	7/2011	Baumgartner et al.	D7/360
D644,476 S *	9/2011	Gregory et al.	D7/354
8,247,751 B2 *	8/2012	Jagannathan	219/735
D667,679 S *	9/2012	Carlson	D7/354
2008/0105137 A1	5/2008	Genslak et al.	
2009/0139412 A1	6/2009	Zhan	

Related U.S. Application Data

- (63) Continuation of application No. 13/740,594, filed on Jan. 14, 2013.
- (51) **LOC (9) Cl.** **07-02**
- (52) **U.S. Cl.**
USPC **D7/352; D7/354**
- (58) **Field of Classification Search**
USPC D7/307, 323, 329-332, 339, 346-347, D7/350.1-350.4, 353-367, 391, 393, 395, D7/402, 406, 409, 538, 542; 99/324-325, 99/331-332, 337-343, 369, 400-418, 422, 99/425, 444, 451, 483; 126/37 R, 261, 374.1, 126/378.1; 206/501-505, 507-508; 219/400, 219/405, 429-442, 620-624, 725, 730-735; 220/203.05, 203.07, 203.09, 298, 315-316, 220/573.1-573.5, 912; 426/438, 441
See application file for complete search history.

* cited by examiner

Primary Examiner — Ricky Pham

(74) *Attorney, Agent, or Firm* — Alexander D. Raring

(57) **CLAIM**

The ornamental design for a sandwich maker, as shown described.

DESCRIPTION

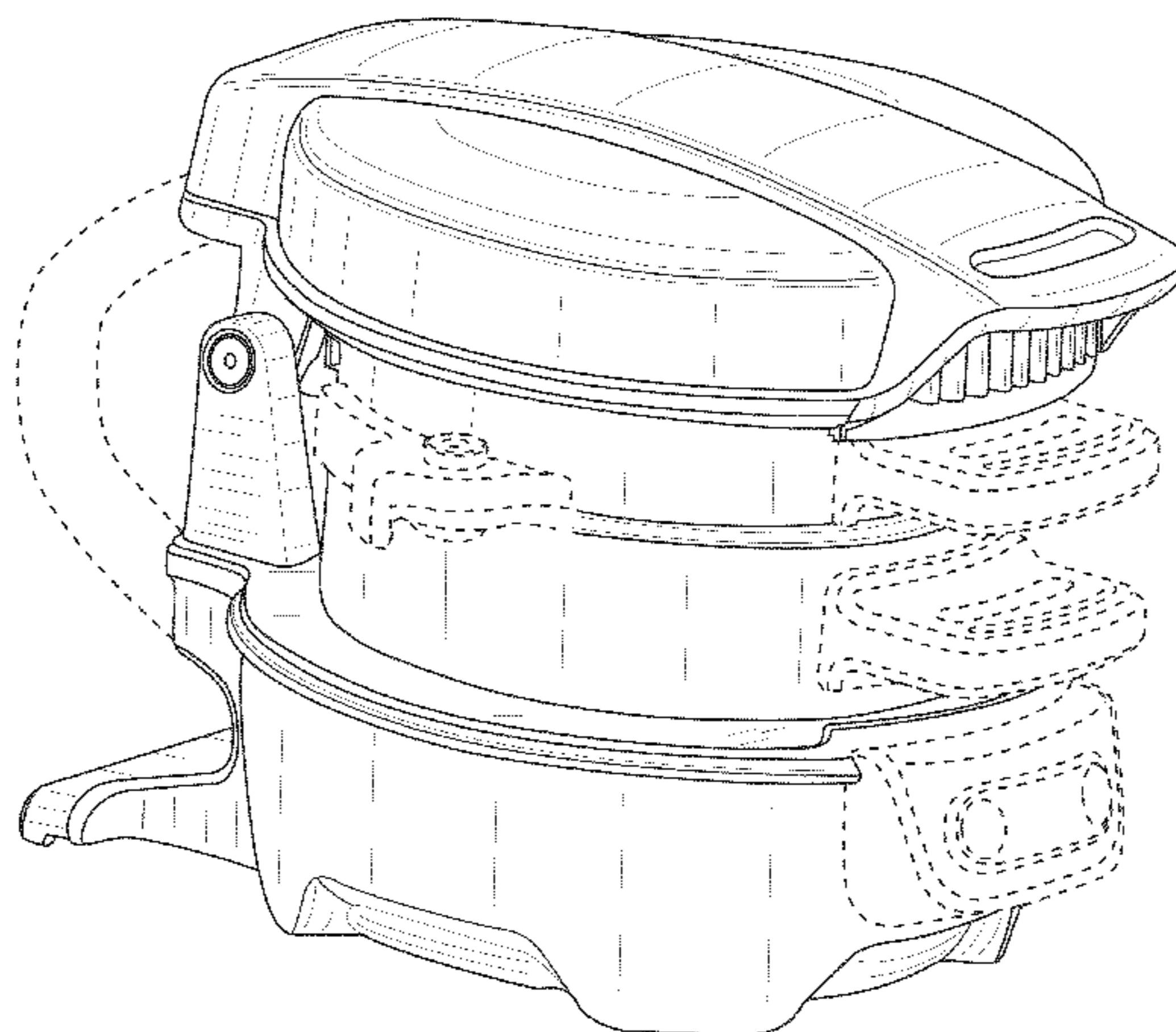
FIG. 1 is a perspective view as seen from the top, front and left side of a sandwich maker showing the new design;
 FIG. 2 is a front view thereof;
 FIG. 3 is a rear view thereof;
 FIG. 4 is a right side view thereof;
 FIG. 5 is a left side view thereof;
 FIG. 6 is a top view thereof; and,
 FIG. 7 is a bottom view thereof.
 The broken lines in the drawings are included for illustrative purposes only and form no part of the claimed design.

(56) **References Cited**

U.S. PATENT DOCUMENTS

D281,214 S *	11/1985	Schaller	D7/356
D297,100 S *	8/1988	Schaller	D7/356
4,803,918 A	2/1989	Carbon	

1 Claim, 7 Drawing Sheets



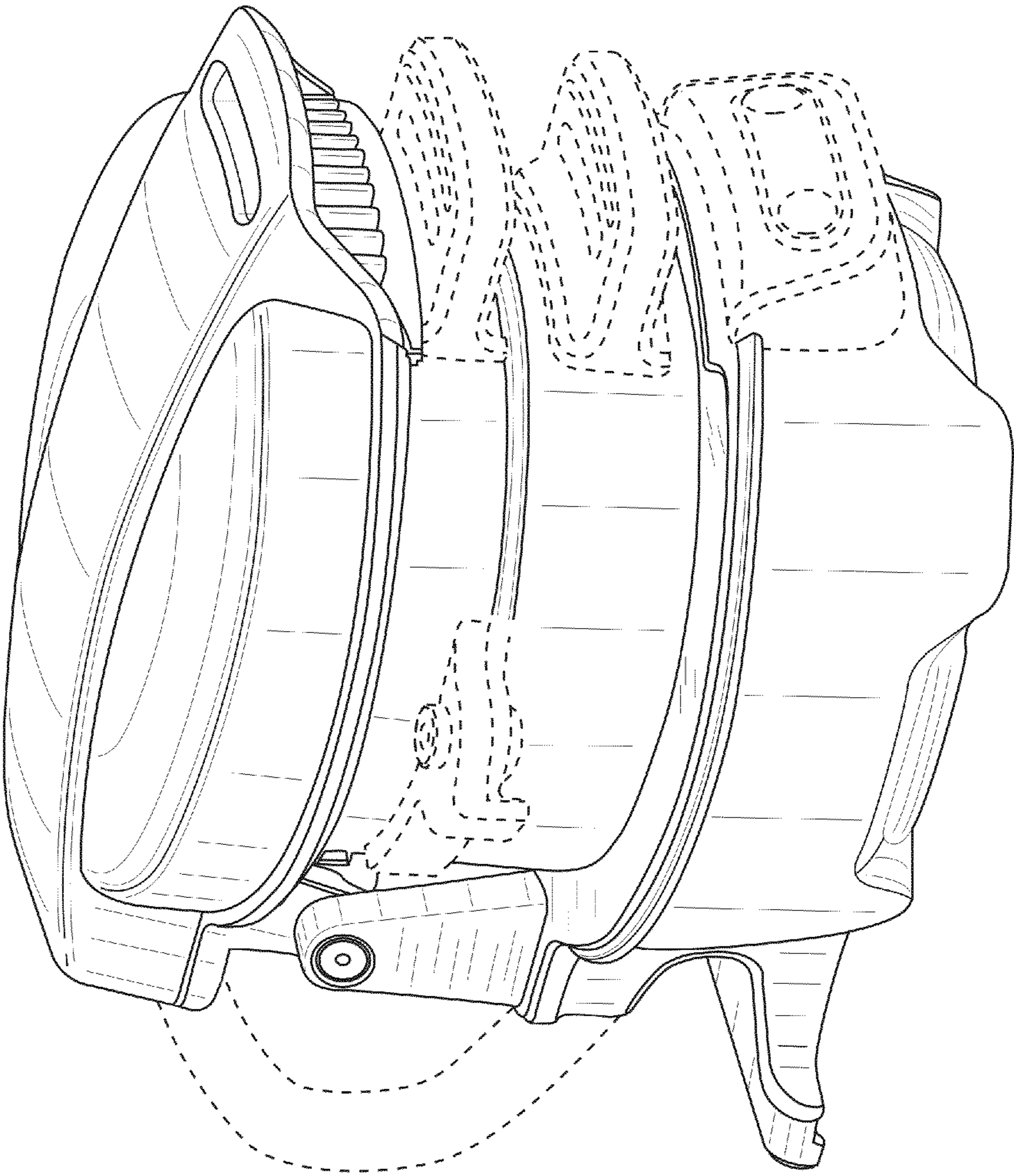


FIG. 1

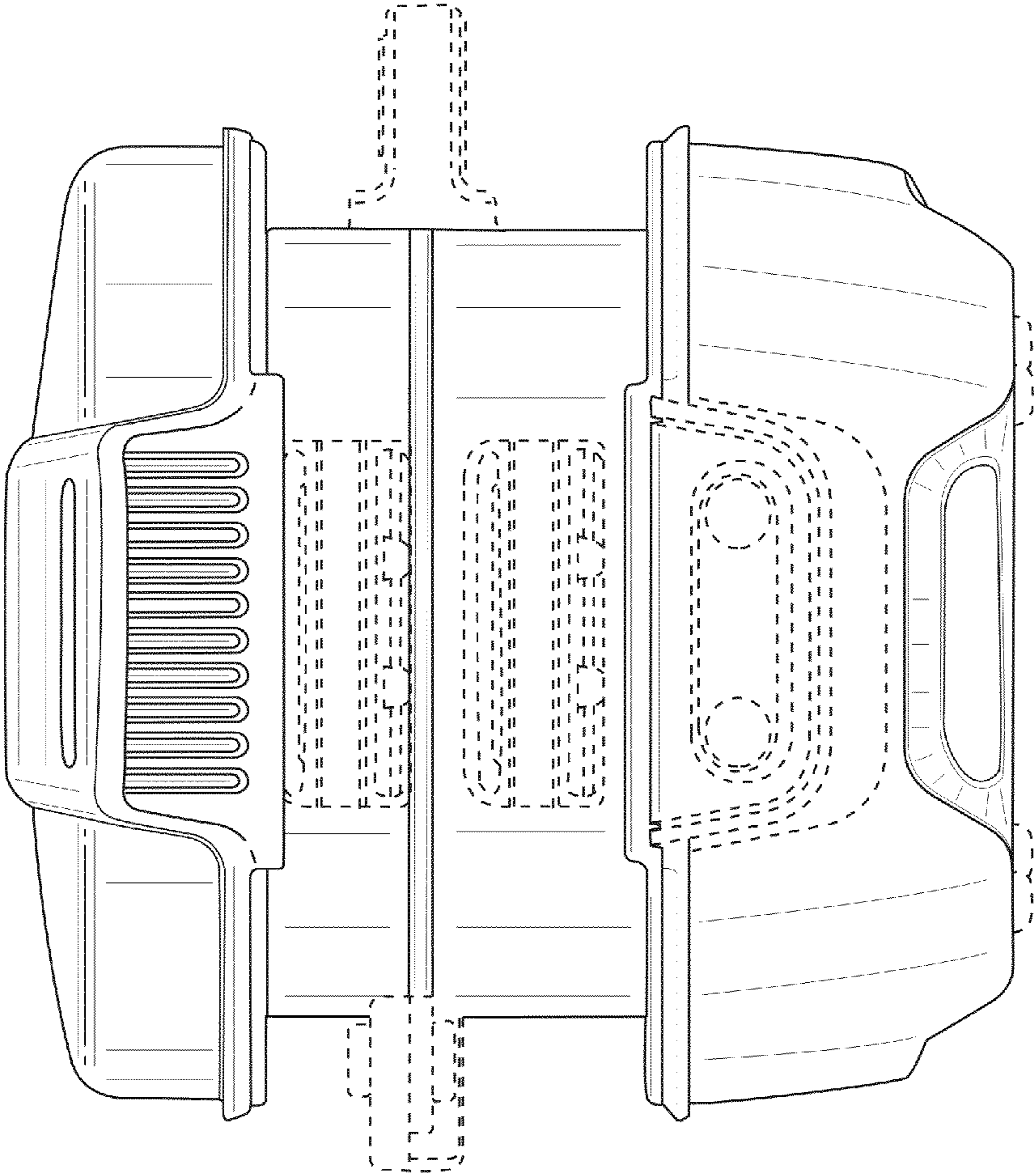


FIG. 2

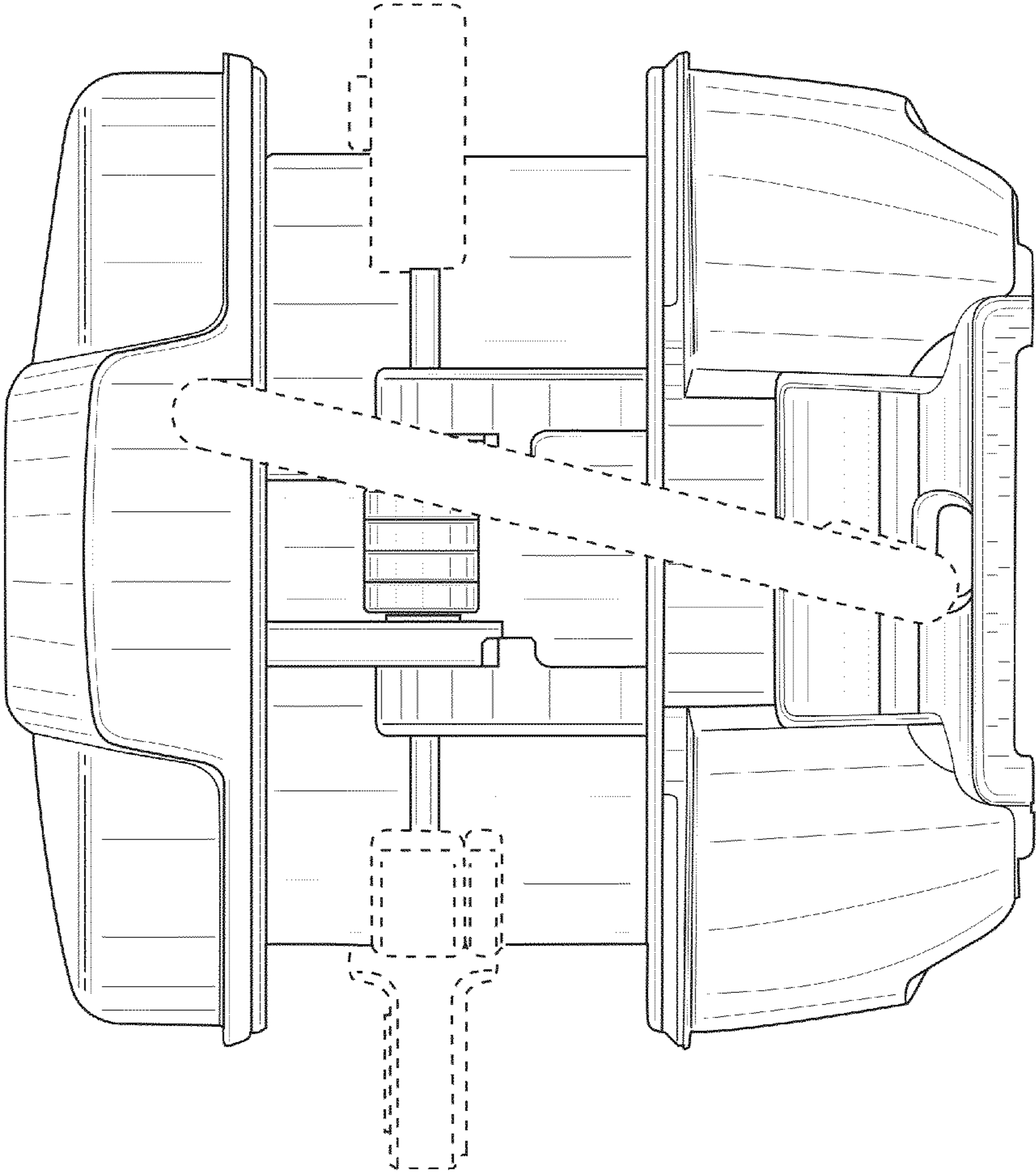


FIG. 3

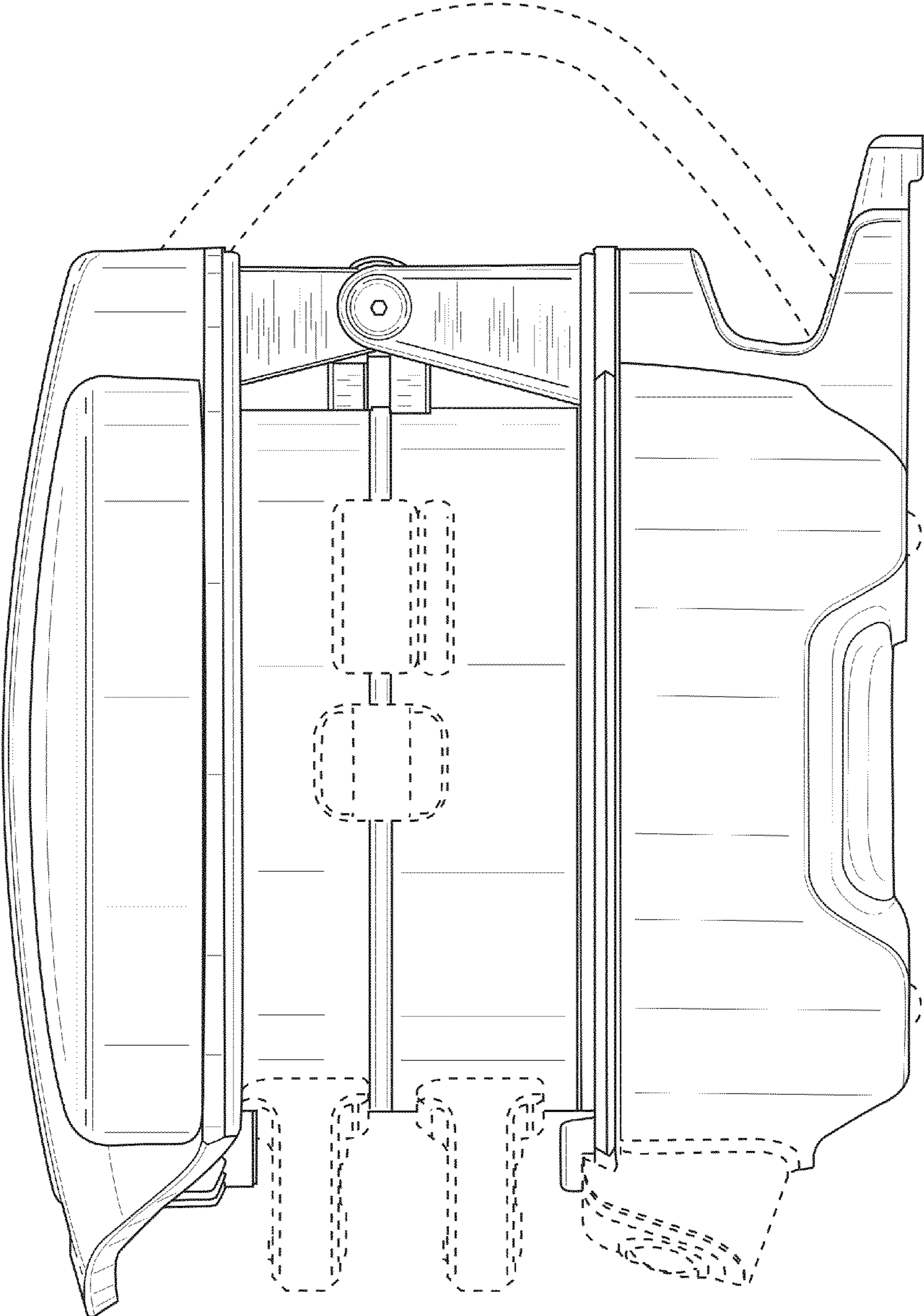


FIG. 4

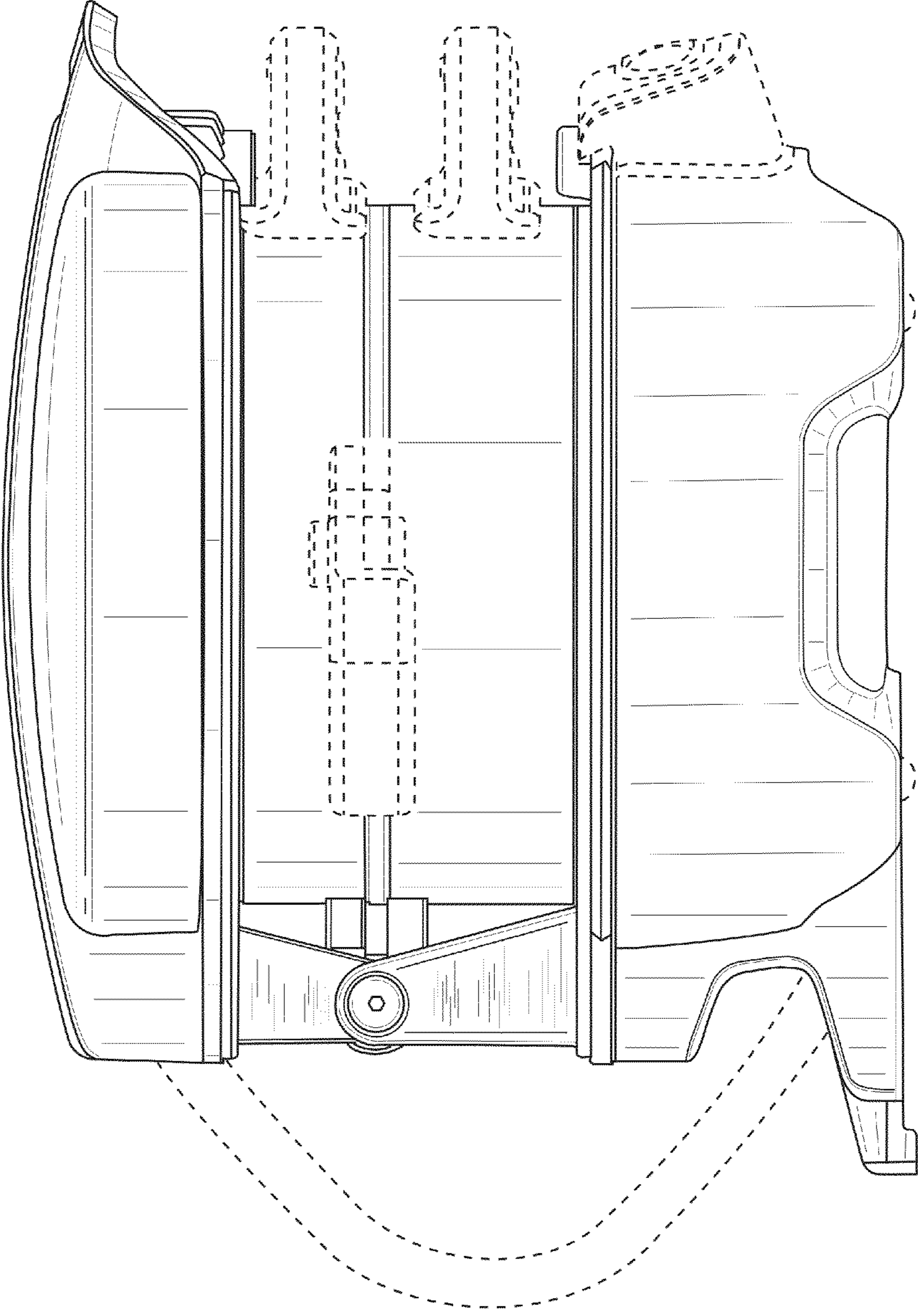


FIG. 5

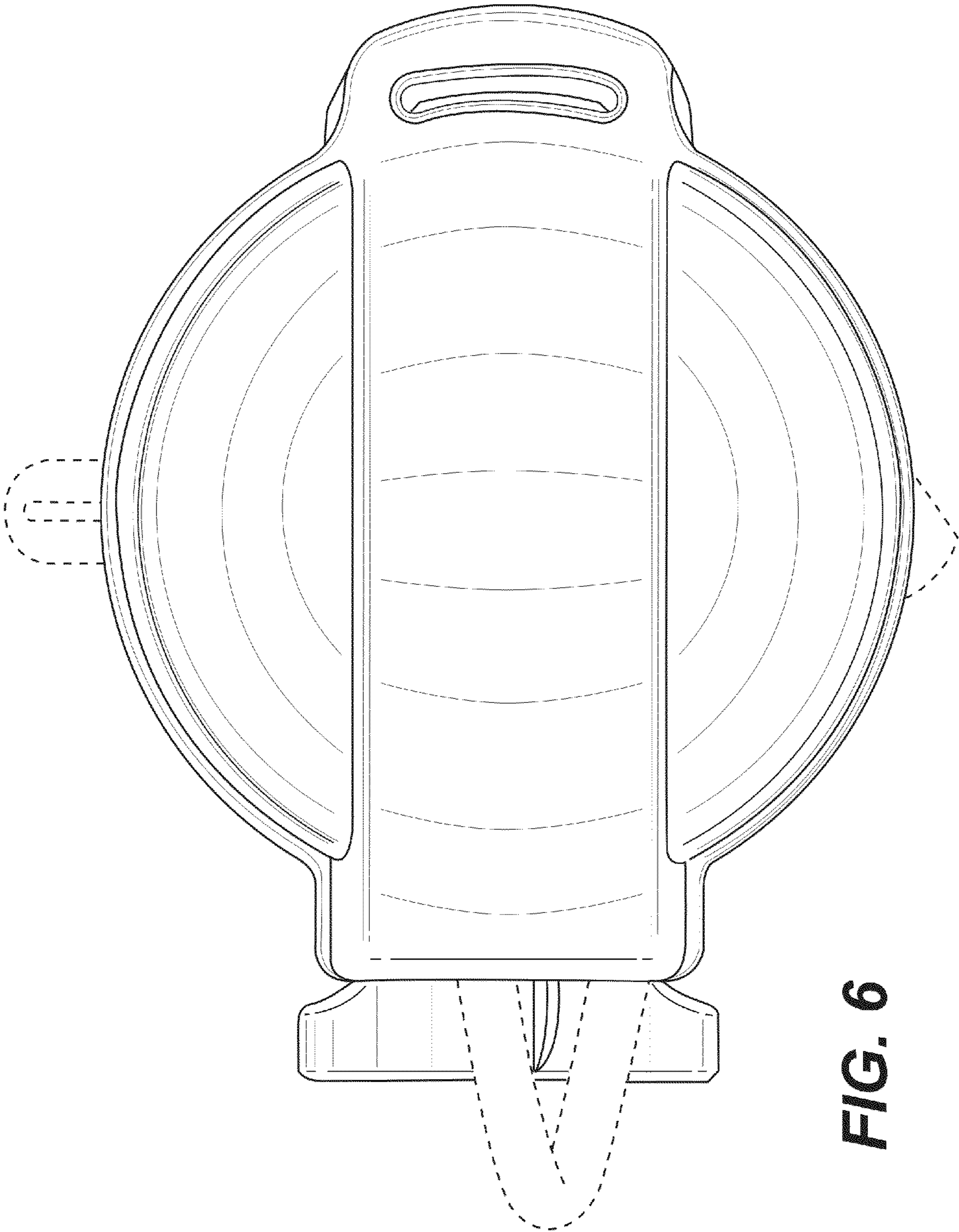


FIG. 6

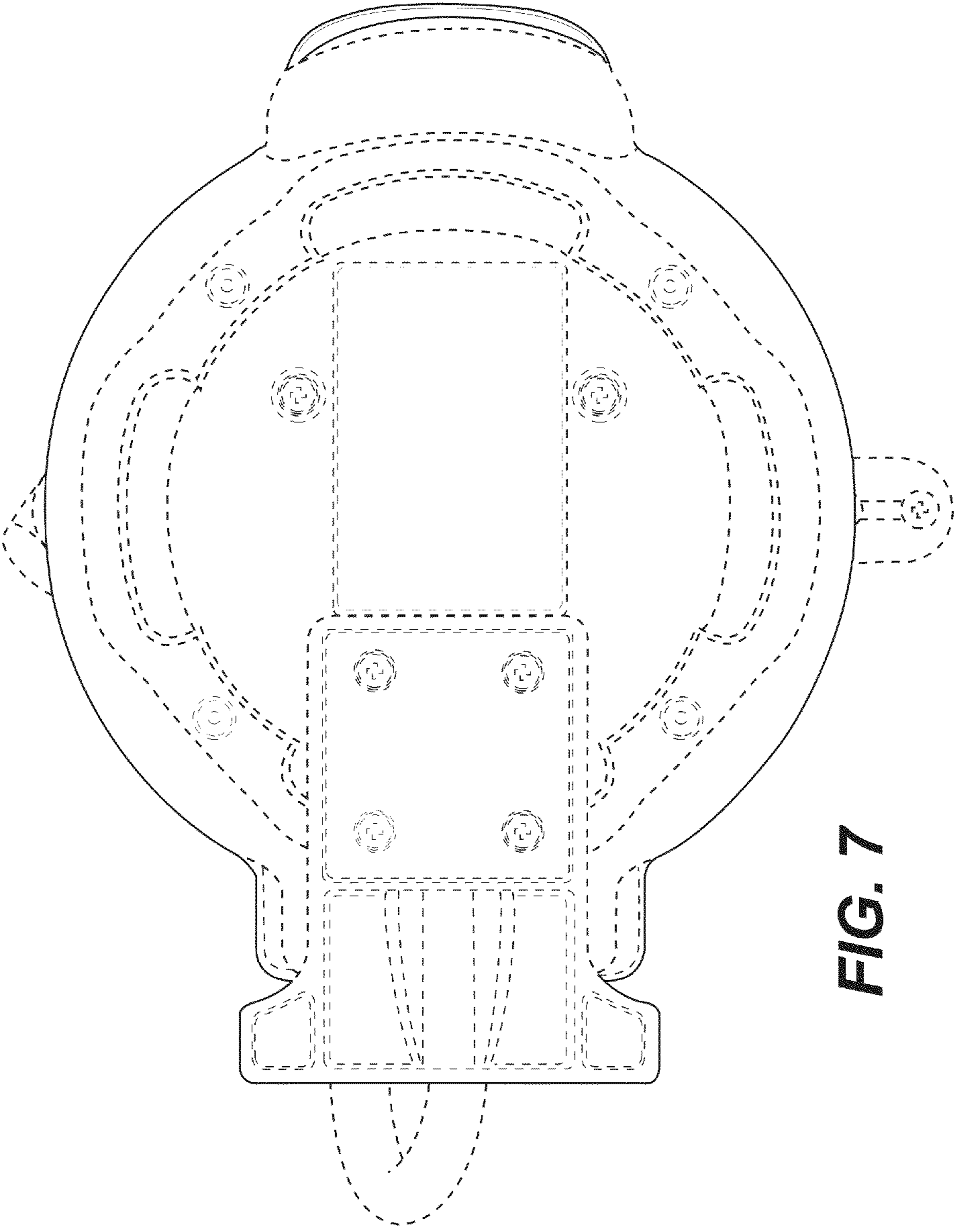


FIG. 7