



US00D688512S

(12) **United States Design Patent**
Chung

(10) **Patent No.:** **US D688,512 S**

(45) **Date of Patent:** **** Aug. 27, 2013**

(54) **BARBECUE GRILL**

(76) Inventor: **Kiosky Chung**, Taichung (TW)

(**) Term: **14 Years**

(21) Appl. No.: **29/429,934**

(22) Filed: **Aug. 20, 2012**

(51) **LOC (9) Cl.** **07-02**

(52) **U.S. Cl.**
USPC **D7/334**

(58) **Field of Classification Search**
USPC D7/332, 334-337, 402-404, 406,
D7/409; 126/25 R, 41 R, 38, 9 R, 9 A, 9 B,
126/40, 50, 37 R, 304 R, 305; 99/450, 481,
99/482; 248/163.1, 440.1, 188.1, 127;
108/157.13
See application file for complete search history.

(56) **References Cited**

U.S. PATENT DOCUMENTS

D549,511 S	*	8/2007	Chung	D7/334
D549,512 S	*	8/2007	Chung	D7/334
D549,514 S	*	8/2007	Chung	D7/334
D581,199 S	*	11/2008	Chau	D7/334
D601,378 S	*	10/2009	Chung	D7/334

D605,892 S	*	12/2009	Proffitt et al.	D7/334
D618,034 S	*	6/2010	Chung	D7/334
D618,485 S	*	6/2010	Chung	D7/334
D624,782 S	*	10/2010	Chung	D7/334
D660,074 S	*	5/2012	Chung	D7/334
D660,075 S	*	5/2012	Chung	D7/334
D662,347 S	*	6/2012	May et al.	D7/334

* cited by examiner

Primary Examiner — Ruth McInroy

(57) **CLAIM**

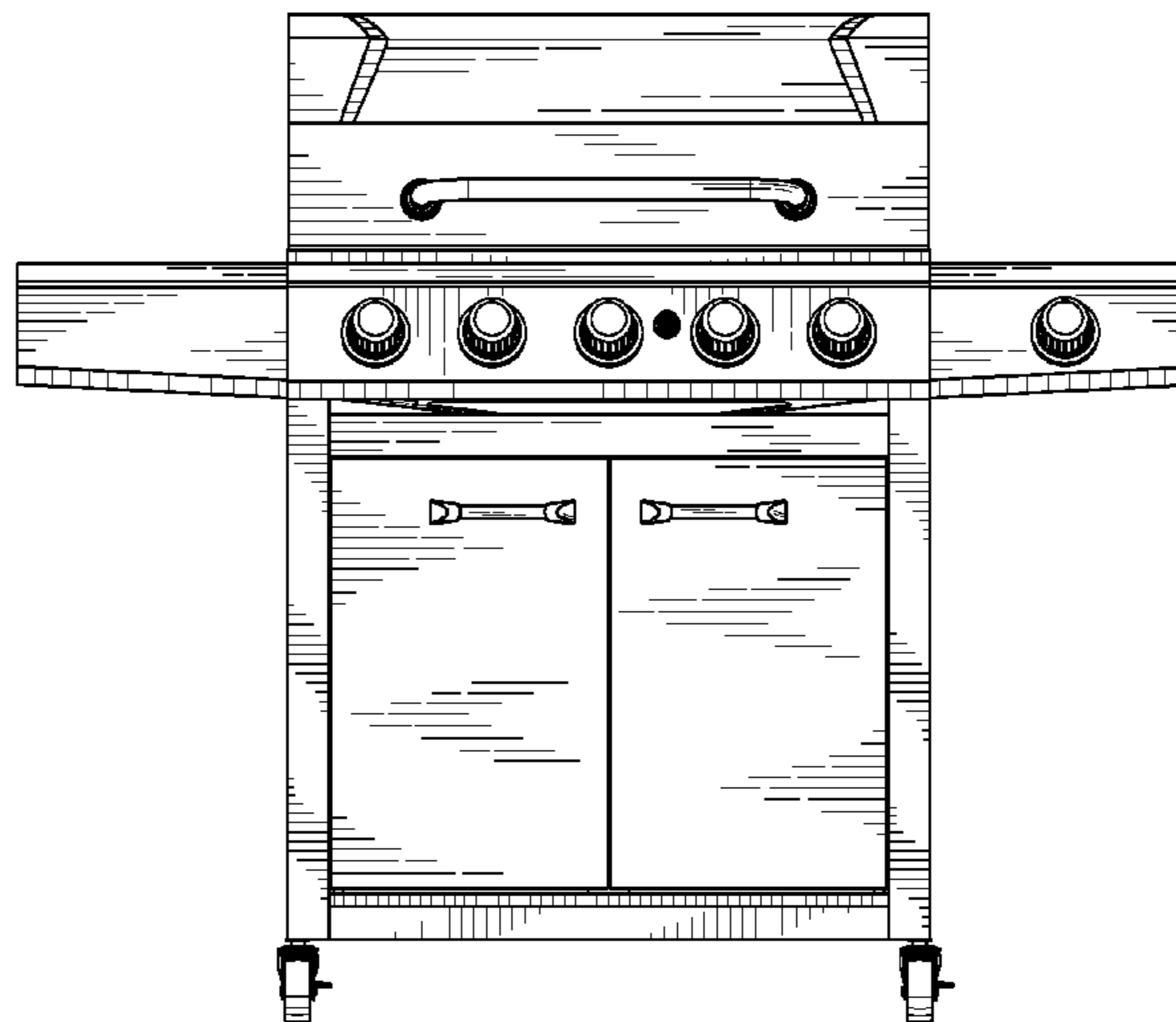
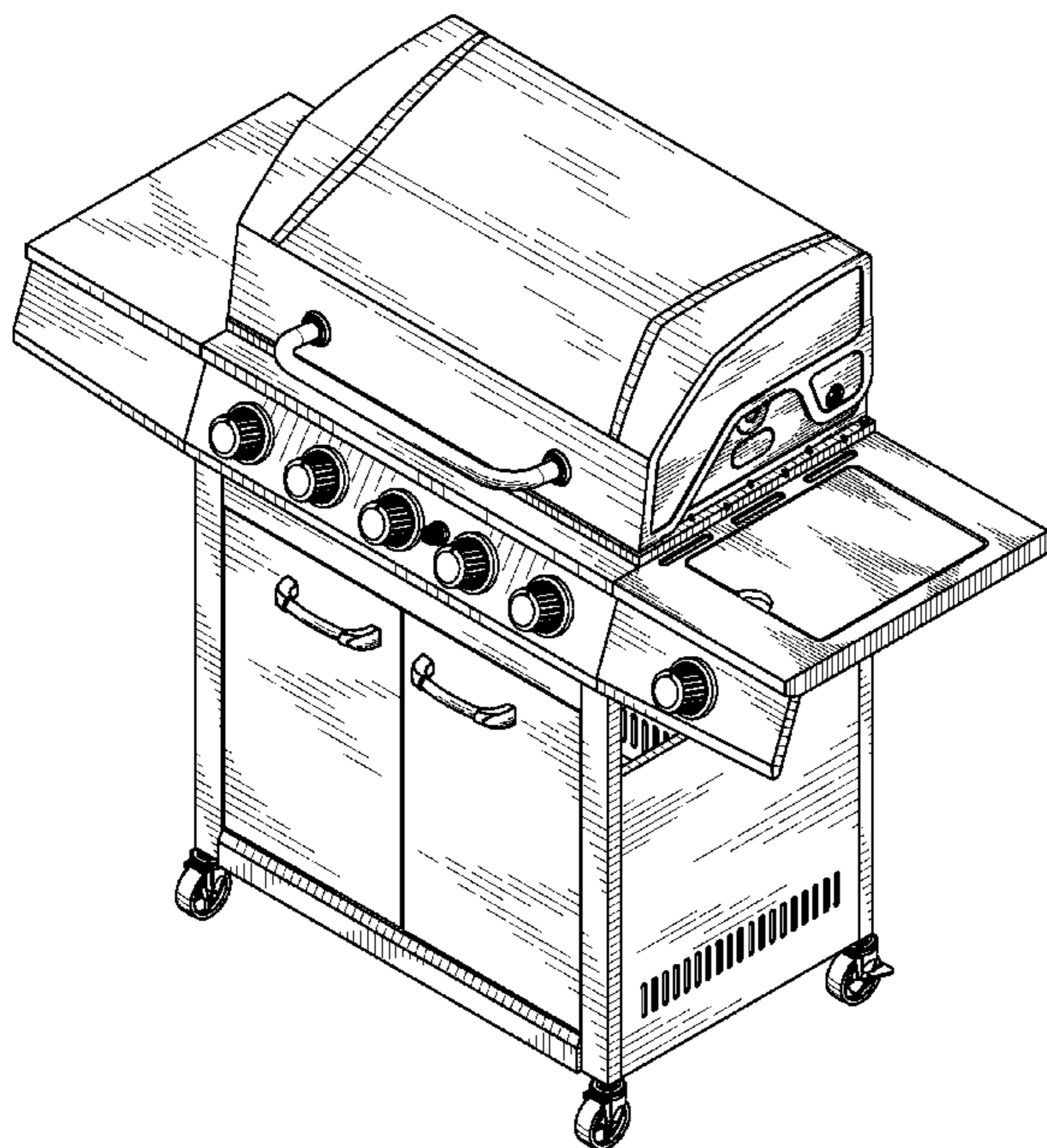
I claim the ornamental design for a barbecue grill, as shown and described.

DESCRIPTION

FIG. 1 is a perspective view of a barbecue grill, showing my new design;
FIG. 2 is a front elevational view thereof;
FIG. 3 is a rear elevational view thereof;
FIG. 4 is a left side elevational view thereof;
FIG. 5 is a right side elevational view thereof;
FIG. 6 is a top plan view thereof; and,
FIG. 7 is a bottom plan view thereof.

The broken lines shown in the drawings are for the purpose of illustrating unclaimed portions of the barbecue grill and form no part of the claimed design.

1 Claim, 7 Drawing Sheets



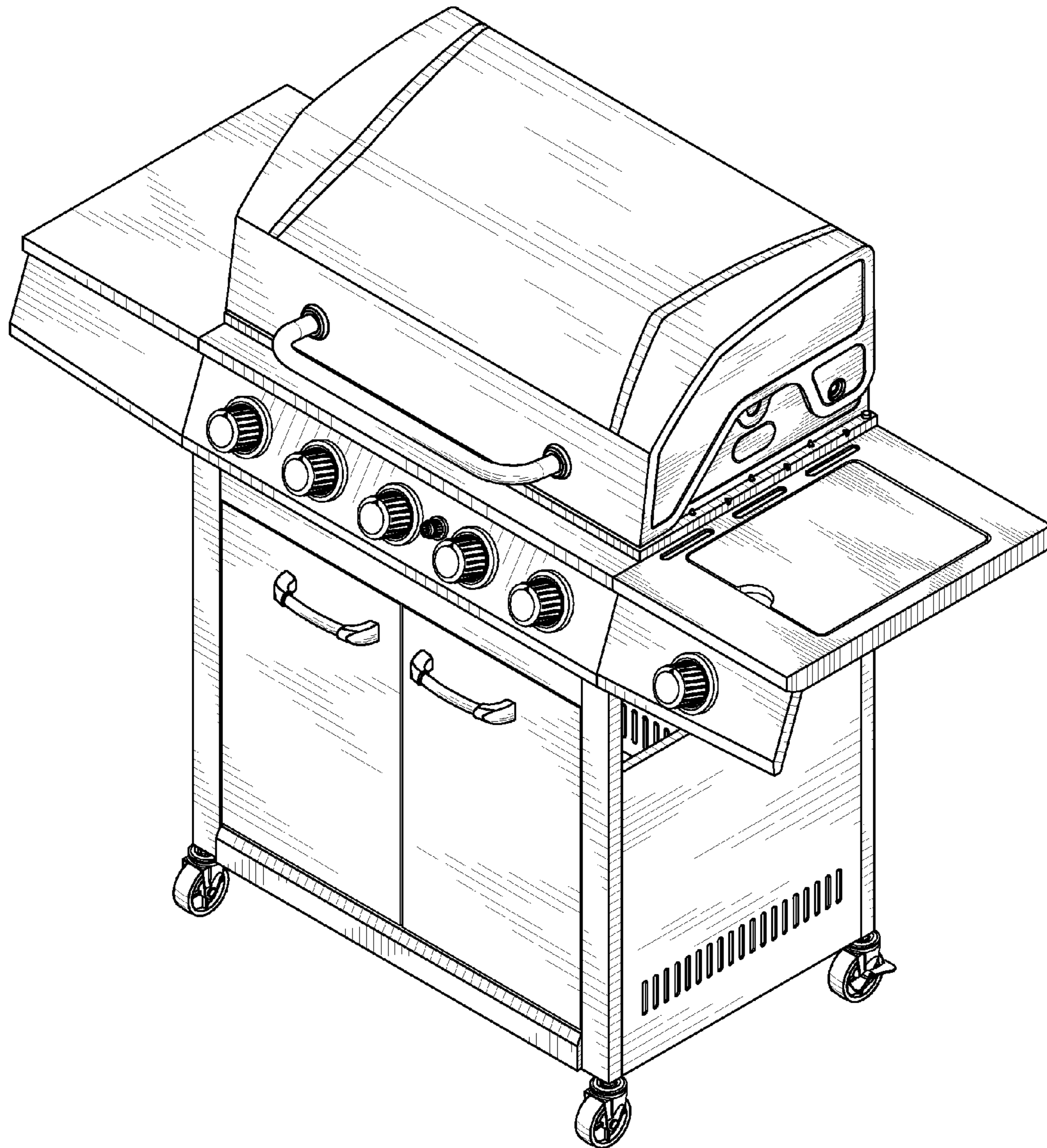


FIG. 1

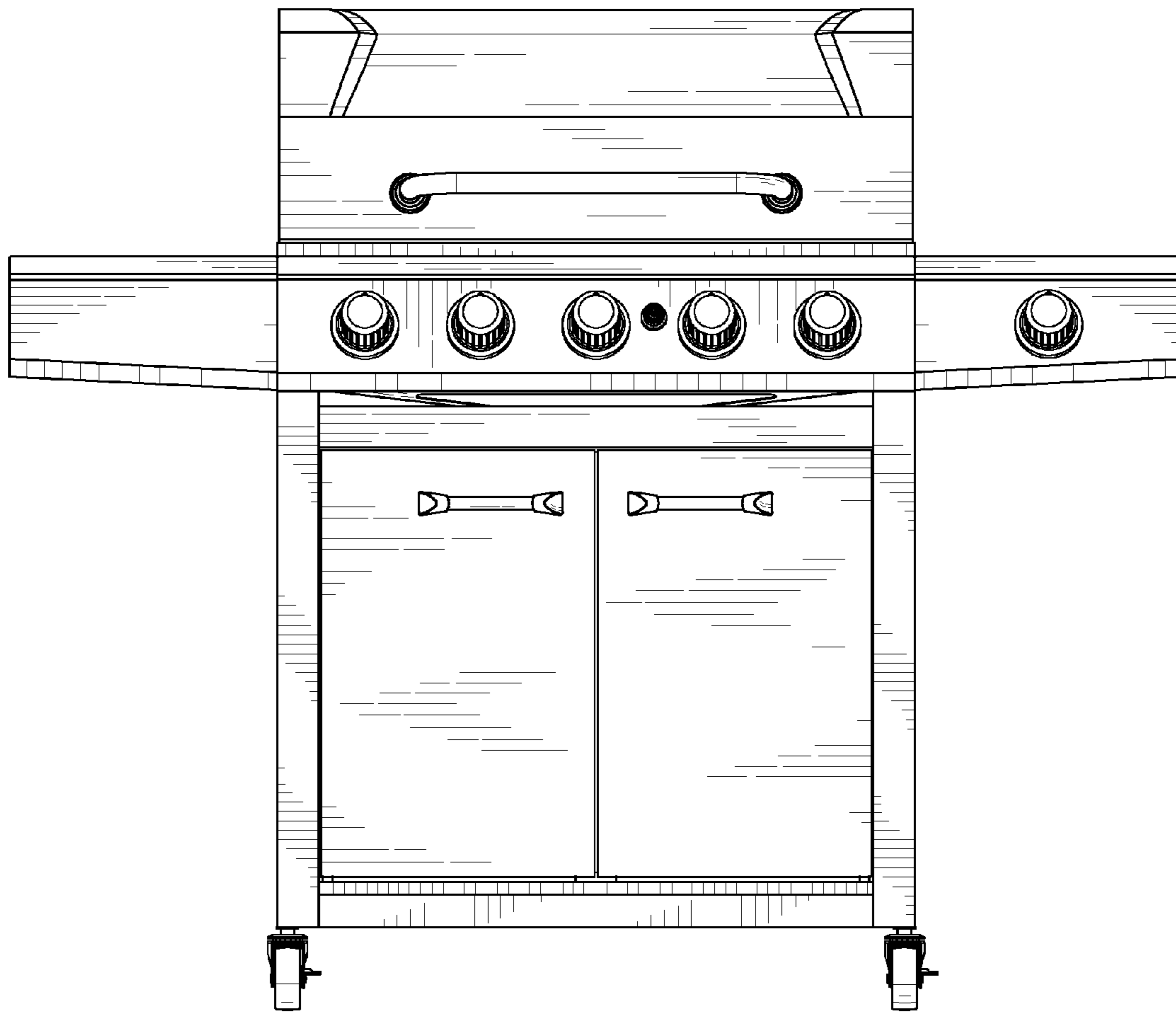


FIG. 2

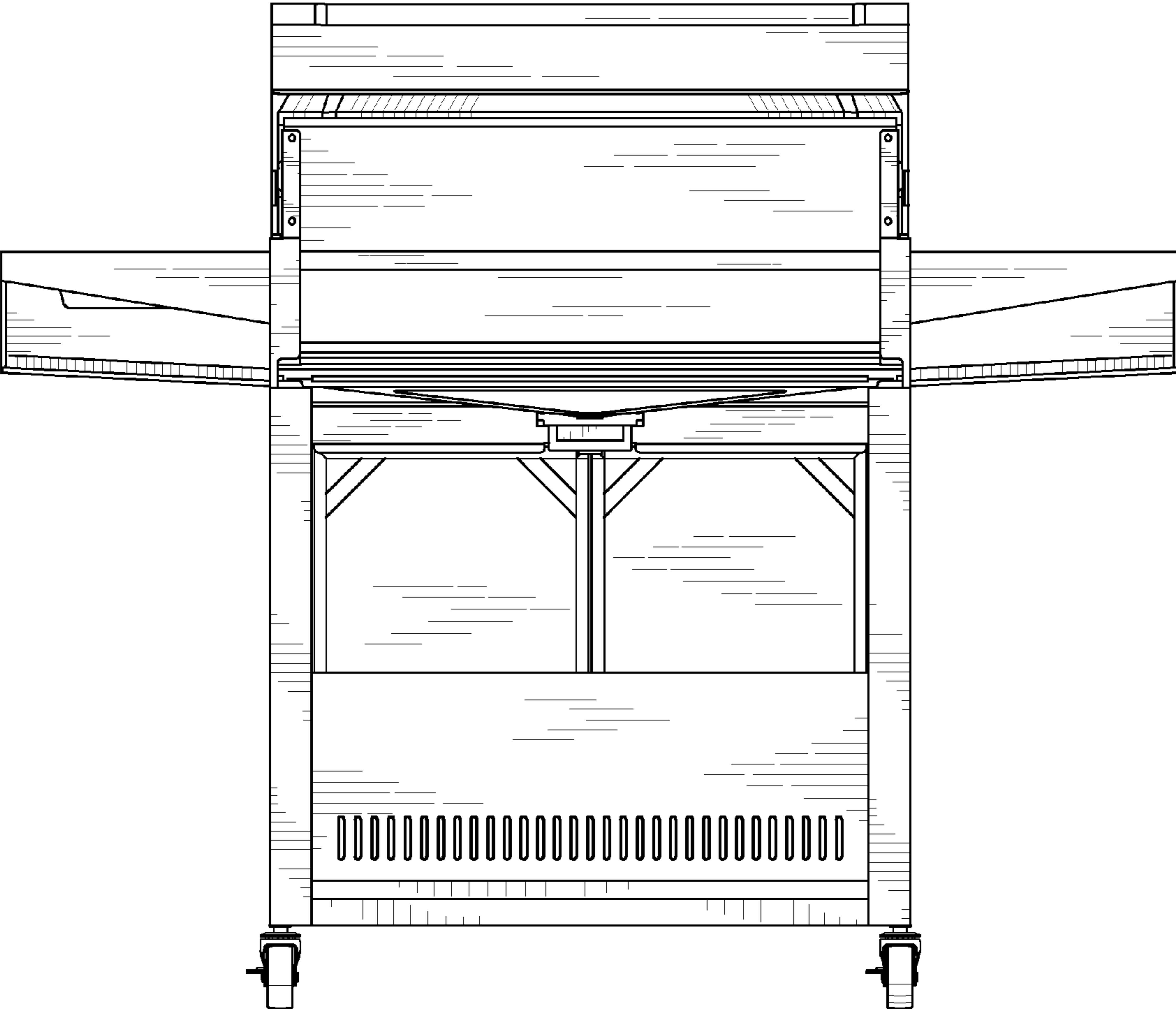


FIG. 3

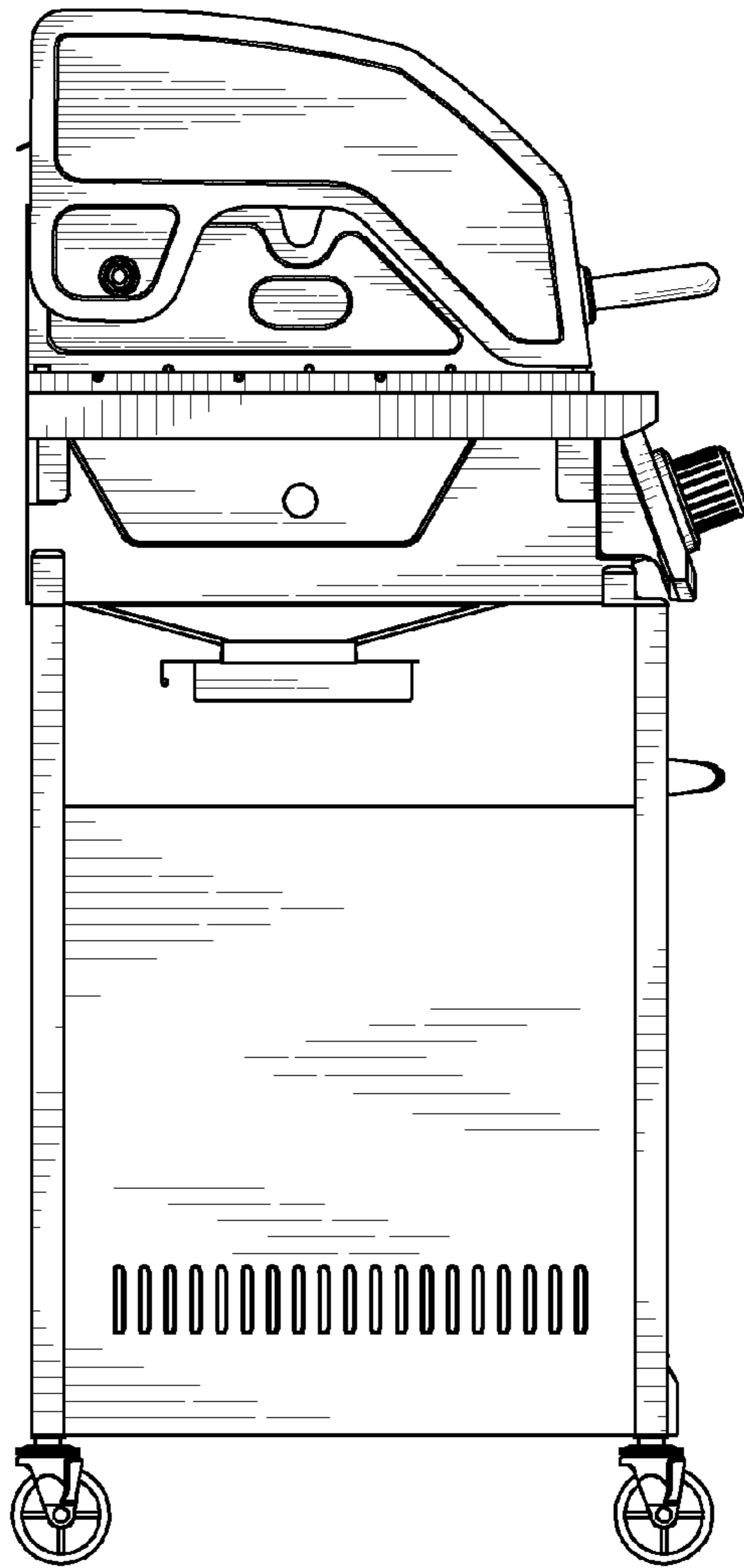


FIG. 4

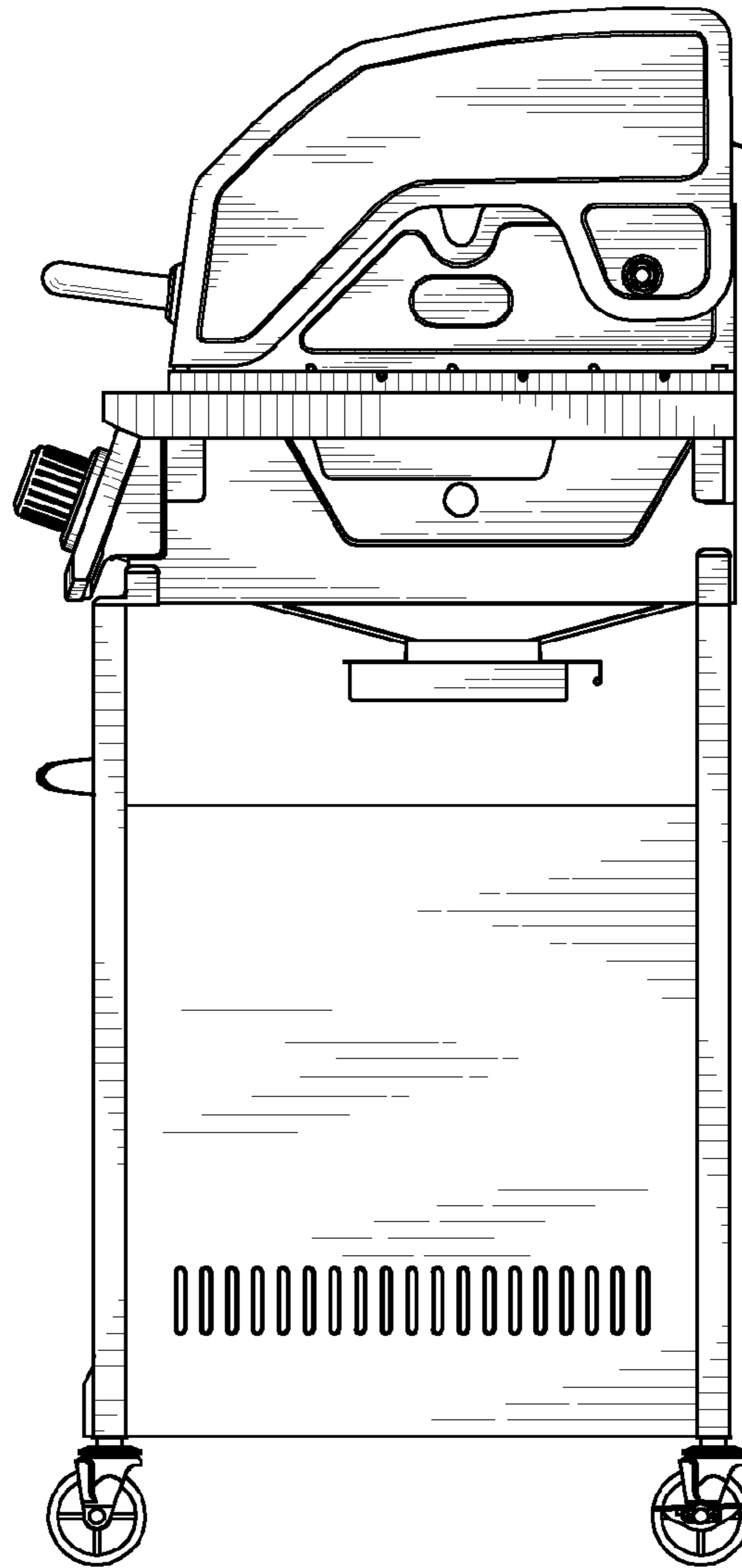


FIG. 5

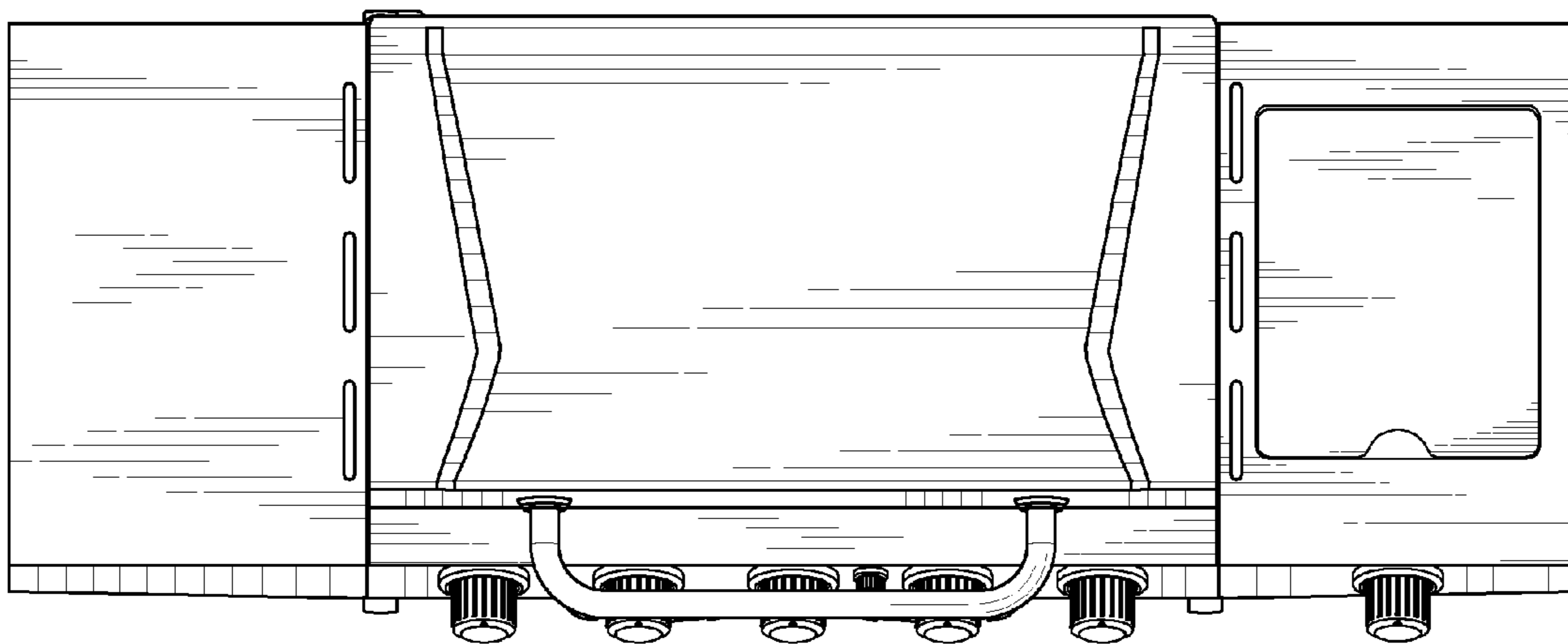


FIG. 6

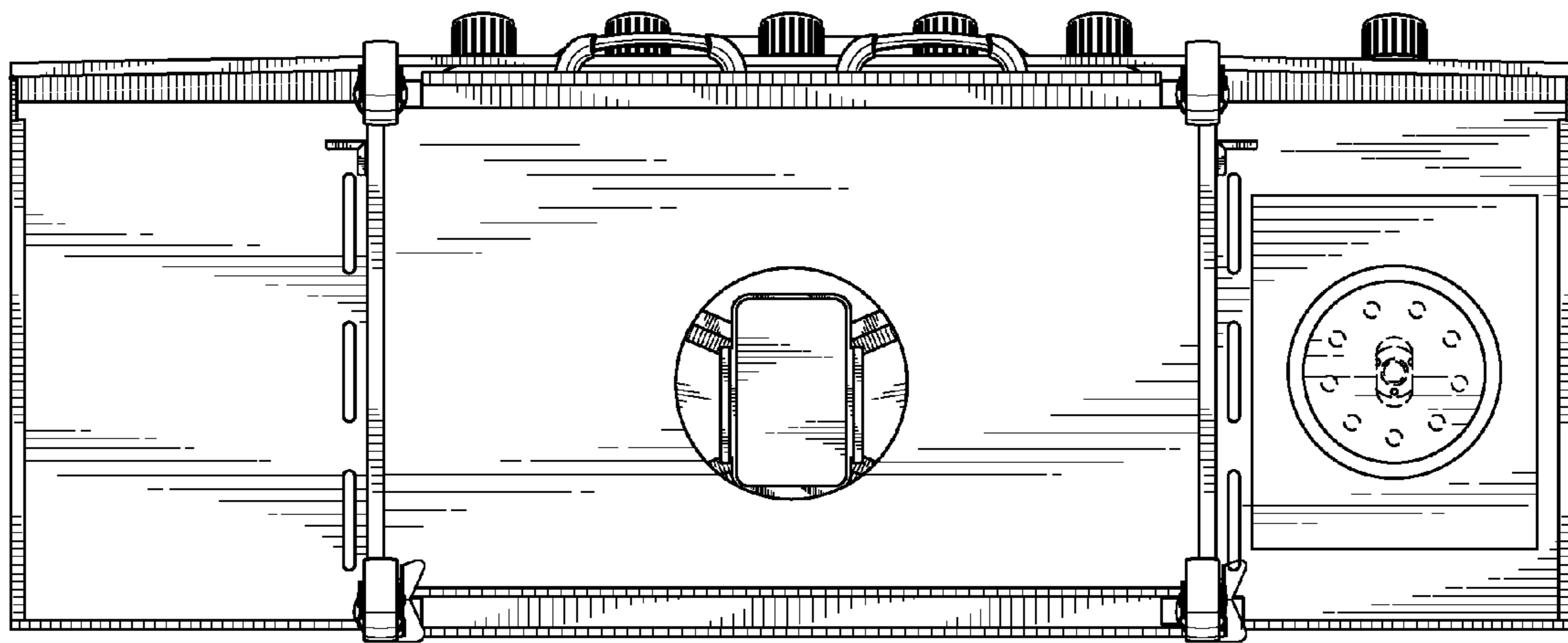


FIG. 7