



US00D688510S

(12) **United States Design Patent**
Stirn

(10) **Patent No.:** **US D688,510 S**

(45) **Date of Patent:** **** Aug. 27, 2013**

(54) **BARBEQUE WITH HANDLES AND ADJUSTABLE GRILL BRACKETS**

(75) Inventor: **Adrian Joseph Stirn**, Fulham Gardens (AU)

(73) Assignee: **Adrian Joseph Stirn**, Fulham Gardens (AU)

(**) Term: **14 Years**

(21) Appl. No.: **29/427,114**

(22) Filed: **Jul. 13, 2012**

(30) **Foreign Application Priority Data**

Jan. 13, 2012 (AU) 340783

(51) **LOC (9) Cl.** **07-02**

(52) **U.S. Cl.**
USPC **D7/334**

(58) **Field of Classification Search**
USPC D7/332, 334-337, 402-404, 406, D7/409; 126/25 R, 41 R, 38, 9 R, 9 A, 9 B, 126/40, 50, 37 R, 304 R, 305; 99/450, 481, 99/482; 248/163.1, 440.1, 188.1, 127; 108/157.13

See application file for complete search history.

(56) **References Cited**

U.S. PATENT DOCUMENTS

D142,866 S *	11/1945	Johannsen	D7/334
D256,316 S *	8/1980	Nichols, Jr.	D7/332
D278,789 S *	5/1985	Beller	D7/334
D285,522 S *	9/1986	Basini	D7/334
D298,793 S *	12/1988	Ragon	D7/332
D320,527 S *	10/1991	Carroll	D7/332
D378,646 S *	4/1997	Dutro et al.	D7/332
D380,933 S *	7/1997	Schlosser et al.	D7/334
D417,120 S *	11/1999	Dutro et al.	D7/332
5,979,431 A *	11/1999	Hamilton et al.	126/41 R
D417,359 S *	12/1999	Dutro et al.	D7/332
D449,491 S *	10/2001	Measom	D7/334

D450,524 S *	11/2001	Measom	D7/332
D462,562 S *	9/2002	Wood	D7/332
D473,095 S *	4/2003	Nguyen	D7/334
6,655,374 B1 *	12/2003	Beller et al.	126/41 R
D496,820 S *	10/2004	Wilder	D7/334
D560,420 S *	1/2008	Roth	D7/334
D570,151 S *	6/2008	Brunner	D7/334
D570,641 S *	6/2008	Brunner	D7/334

(Continued)

Primary Examiner — Ruth McInroy

(74) *Attorney, Agent, or Firm* — Sheridan Ross P.C.

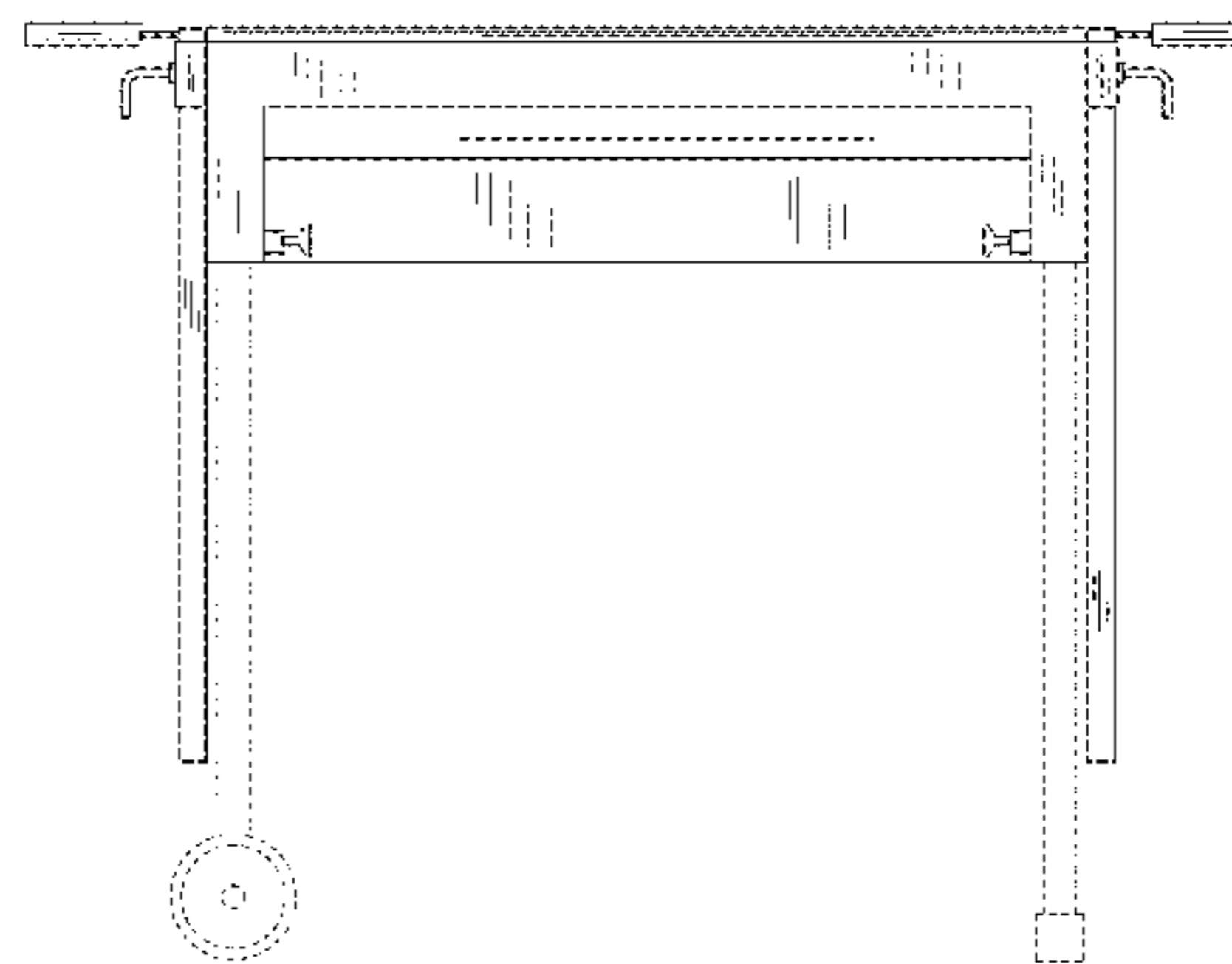
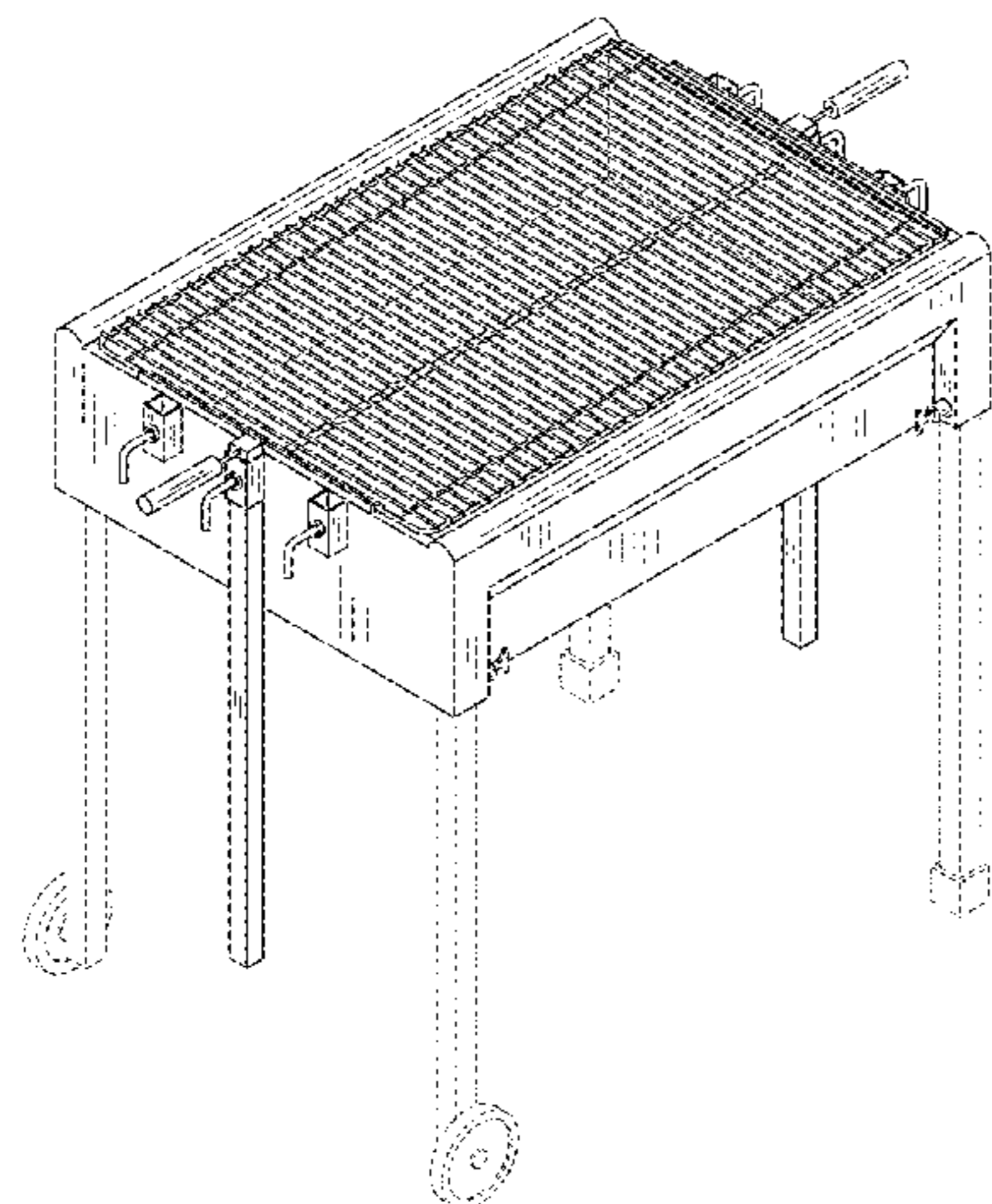
(57) **CLAIM**

The ornamental design for a barbeque with handles and adjustable grill brackets, as shown and described.

DESCRIPTION

FIG. 1 is a front perspective view of a barbeque with handles and adjustable grill brackets showing my new design;
 FIG. 2 is a front view thereof;
 FIG. 3 is a right side view thereof;
 FIG. 4 is a back side view thereof;
 FIG. 5 is a left side view thereof;
 FIG. 6 is a top view thereof;
 FIG. 7 is a bottom view thereof;
 FIG. 8 is a perspective view thereof, the grate shown in a raised position;
 FIG. 9 is a front perspective view of a second embodiment thereof;
 FIG. 10 is a front view of FIG. 9;
 FIG. 11 is a right side view of FIG. 9;
 FIG. 12 is a back side view of FIG. 9;
 FIG. 13 is a left side view of FIG. 9;
 FIG. 14 is a top view of FIG. 9;
 FIG. 15 is a bottom view of FIG. 9; and,
 FIG. 16 is a front perspective view of FIG. 9, the grate shown in a raised position.
 The broken lines are for illustrative purposes only and do not form a part of the claimed design.

1 Claim, 16 Drawing Sheets



US D688,510 S

Page 2

(56)

References Cited

U.S. PATENT DOCUMENTS

D579,260 S * 10/2008 Zischke D7/332
D612,190 S * 3/2010 Tenney et al. D7/332
D618,482 S * 6/2010 Gaze et al. D7/332

D619,411 S * 7/2010 Hill D7/334
D619,846 S * 7/2010 Dunne et al. D7/334
D625,544 S * 10/2010 Radicke D7/334
D656,773 S * 4/2012 May D7/334
D657,183 S * 4/2012 May D7/334

* cited by examiner

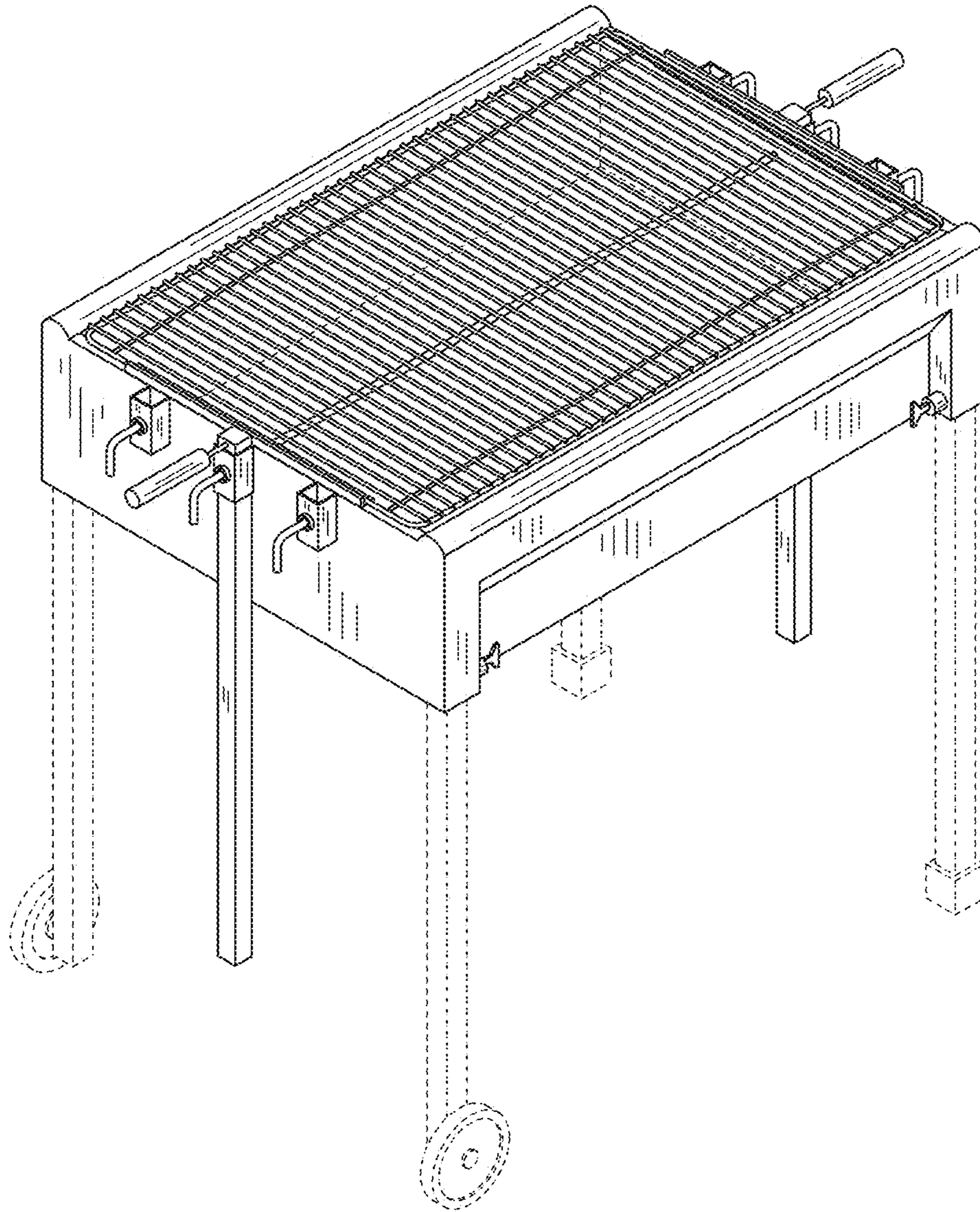


FIG.1

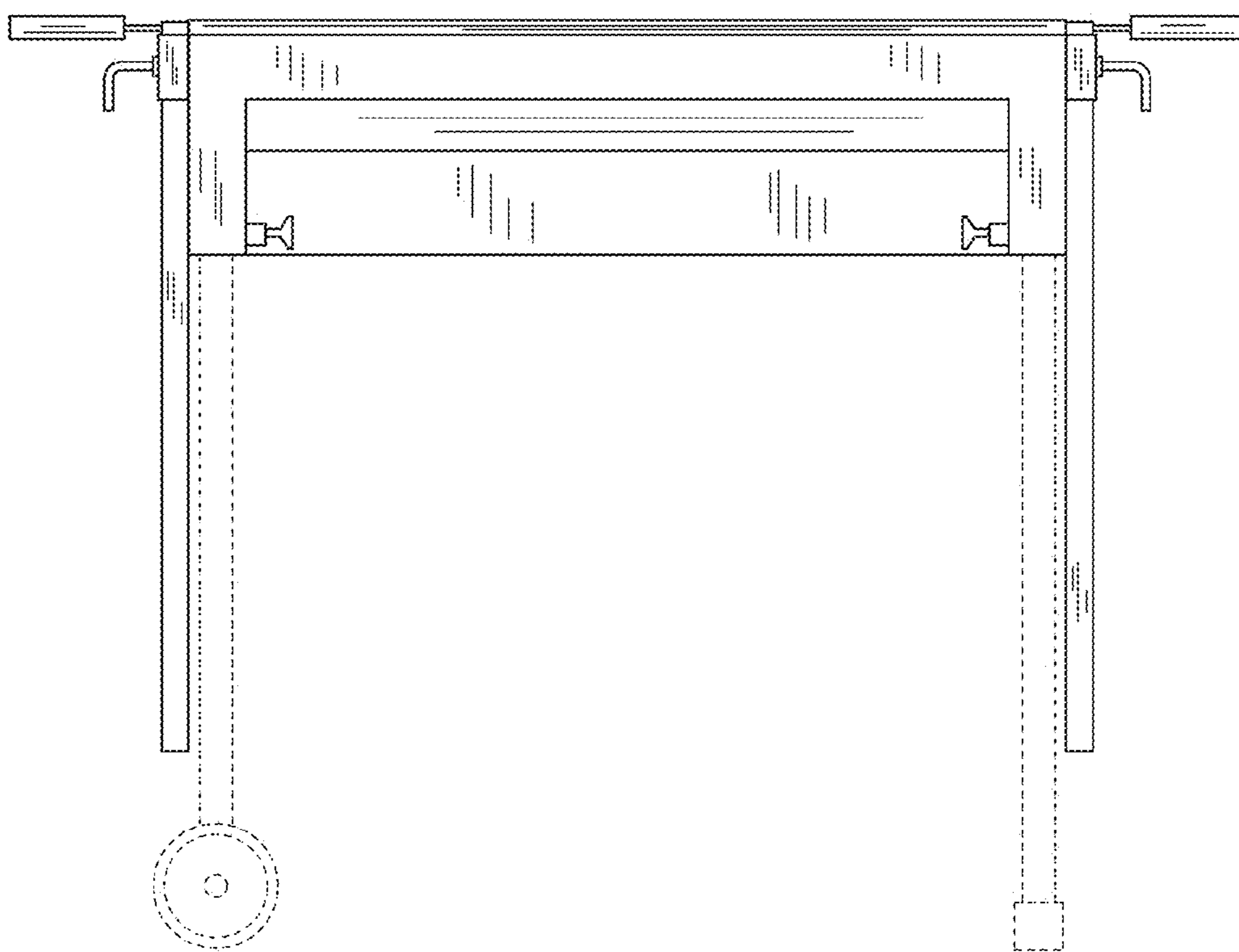


FIG.2

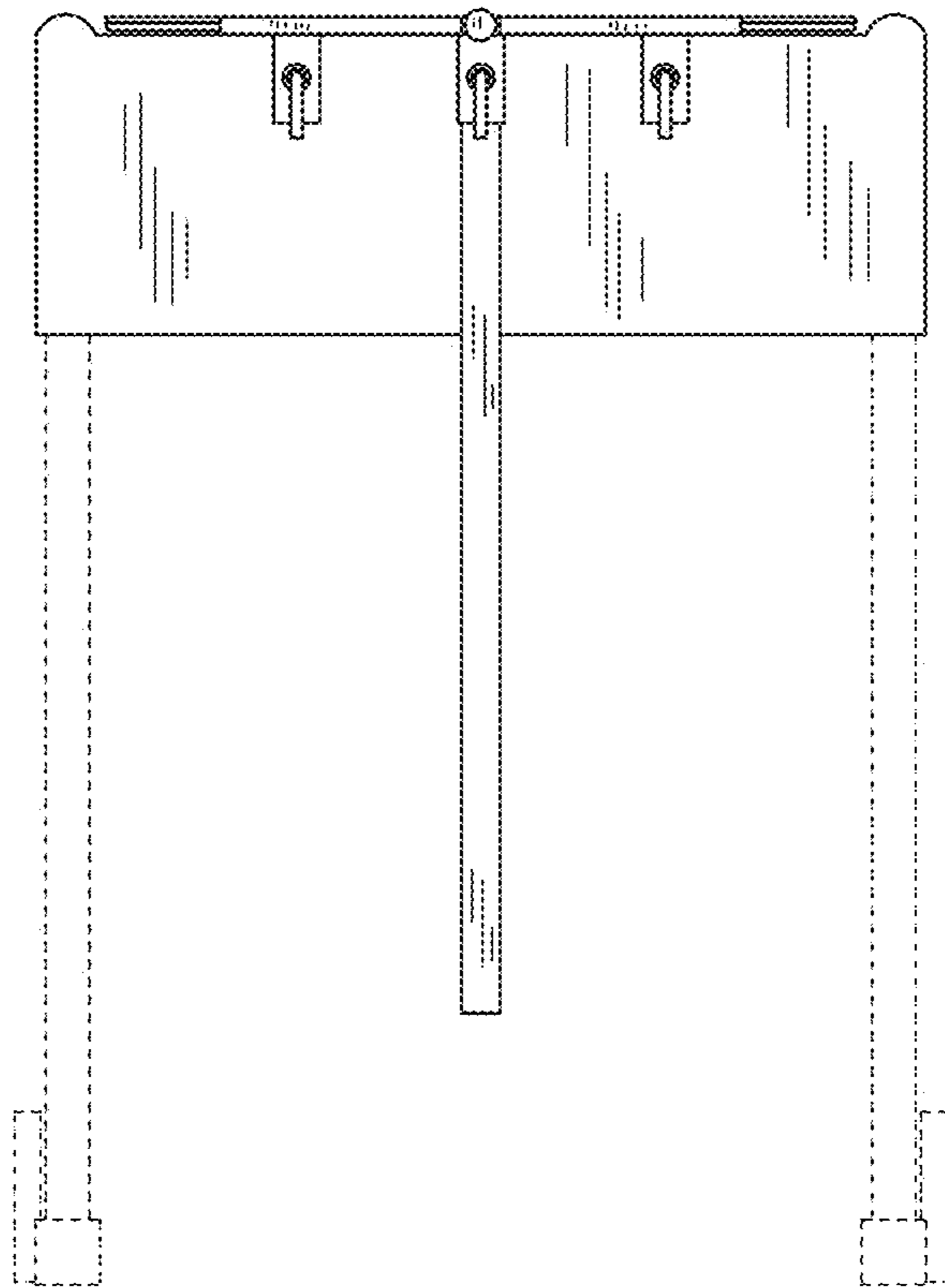


FIG.3

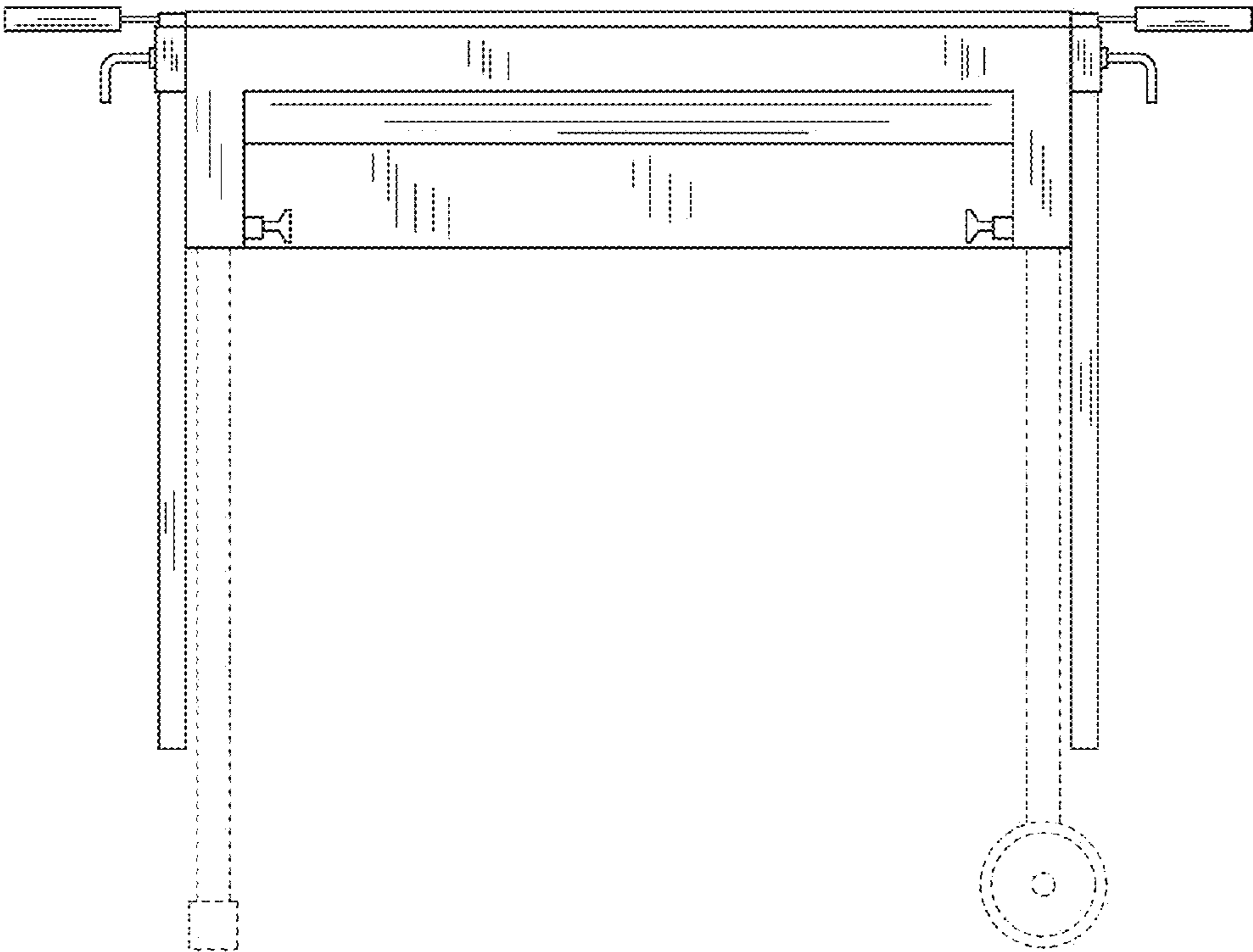


FIG.4

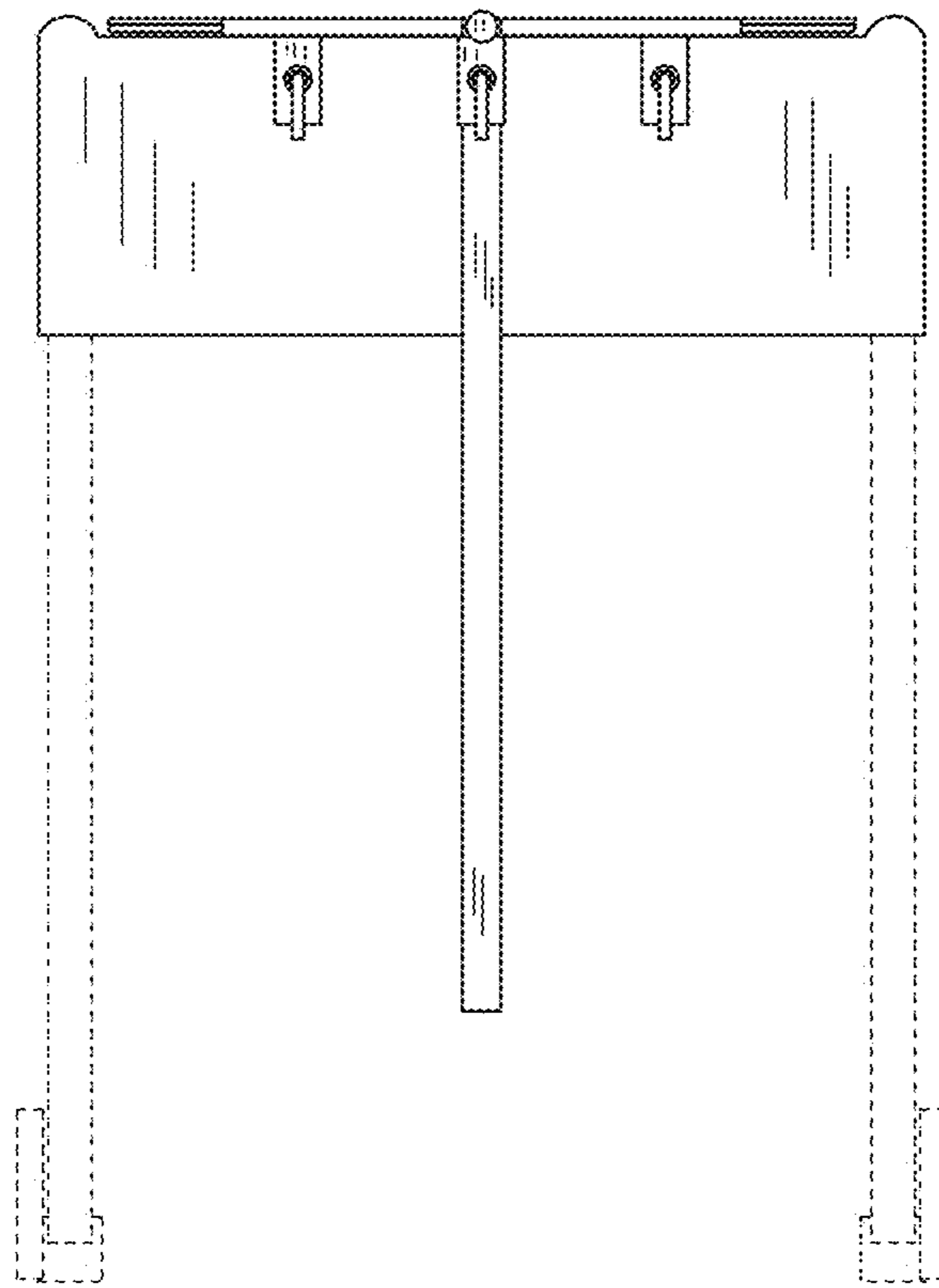


FIG.5

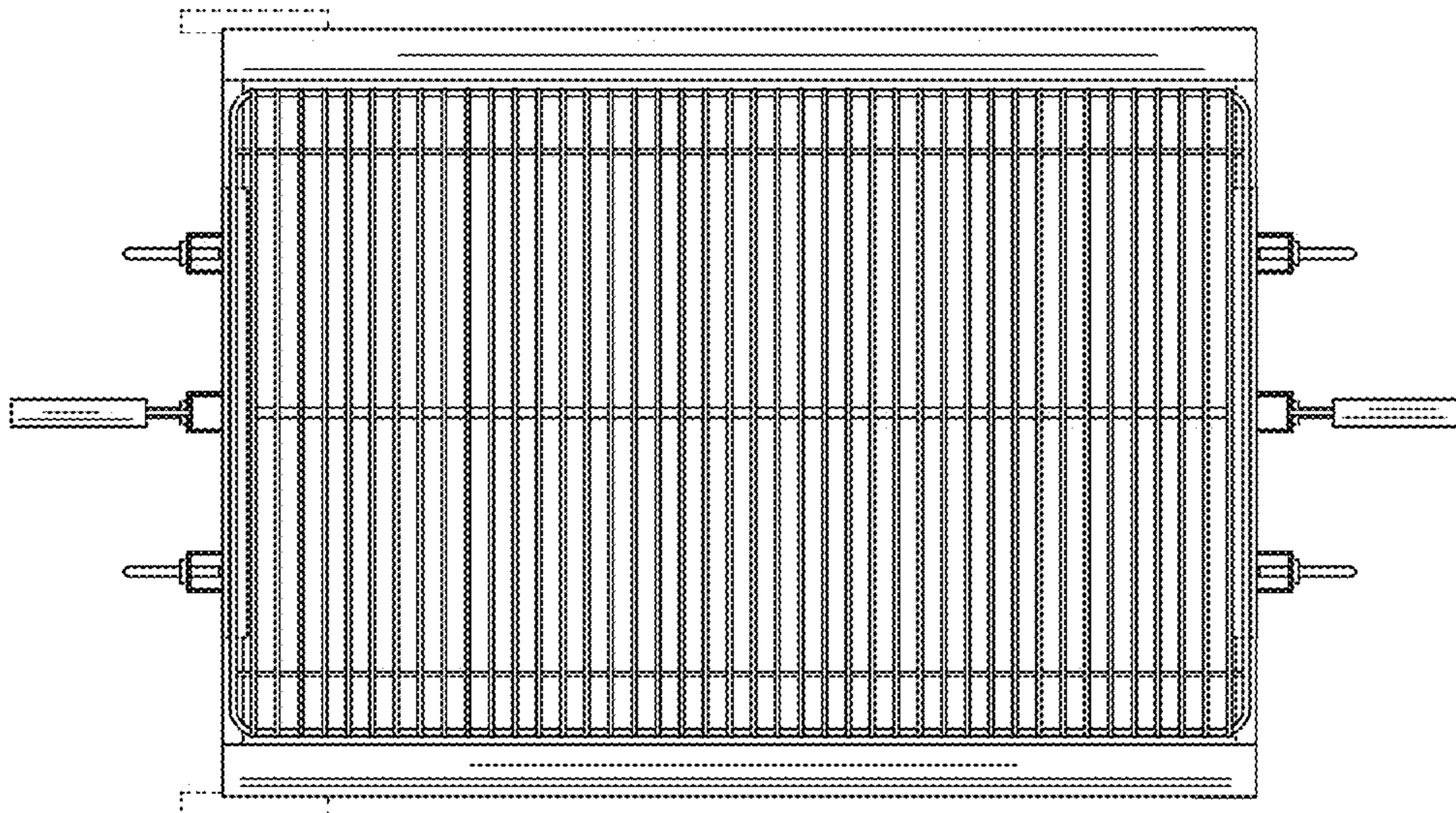


FIG.6

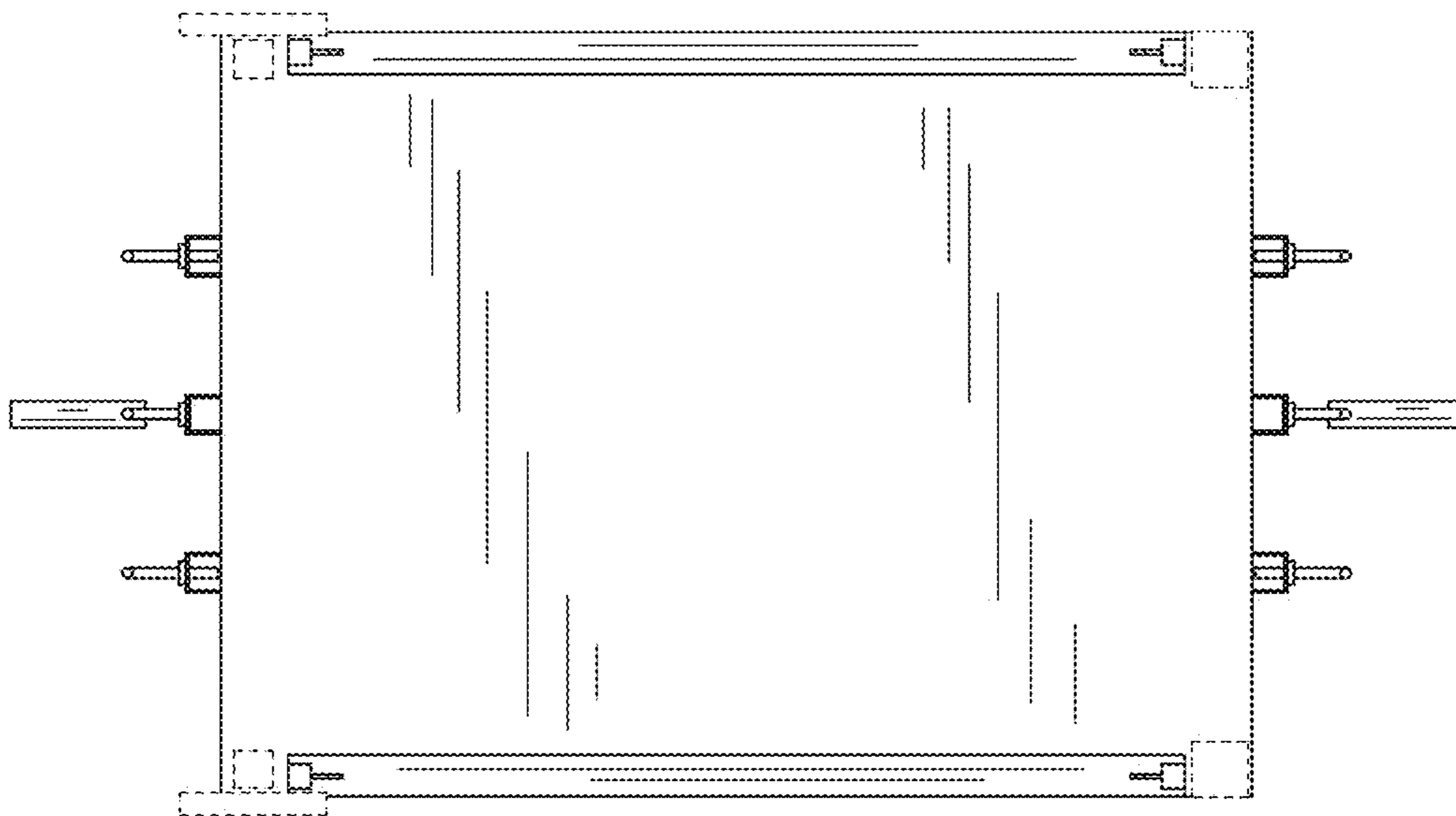


FIG.7

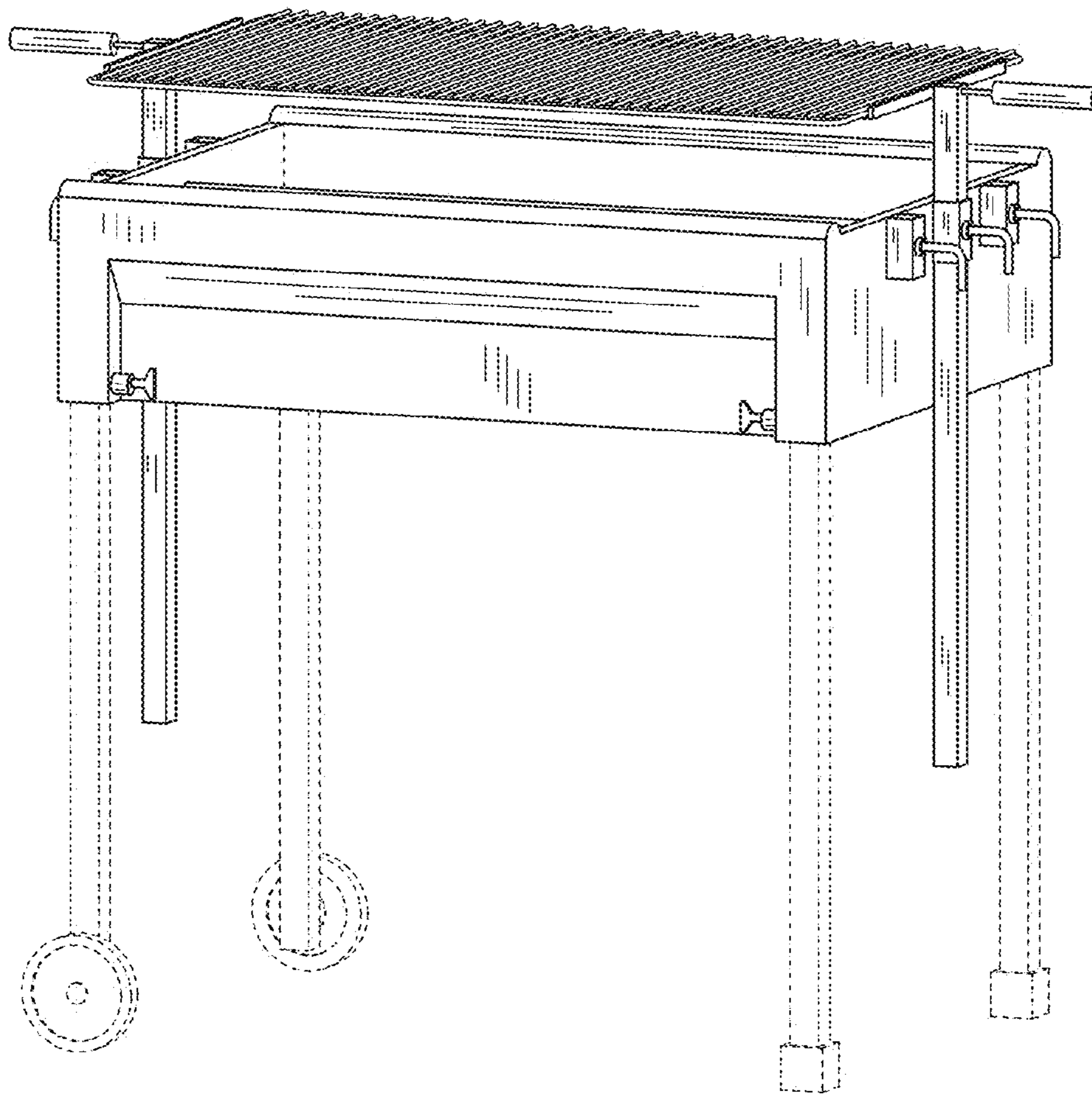


FIG.8

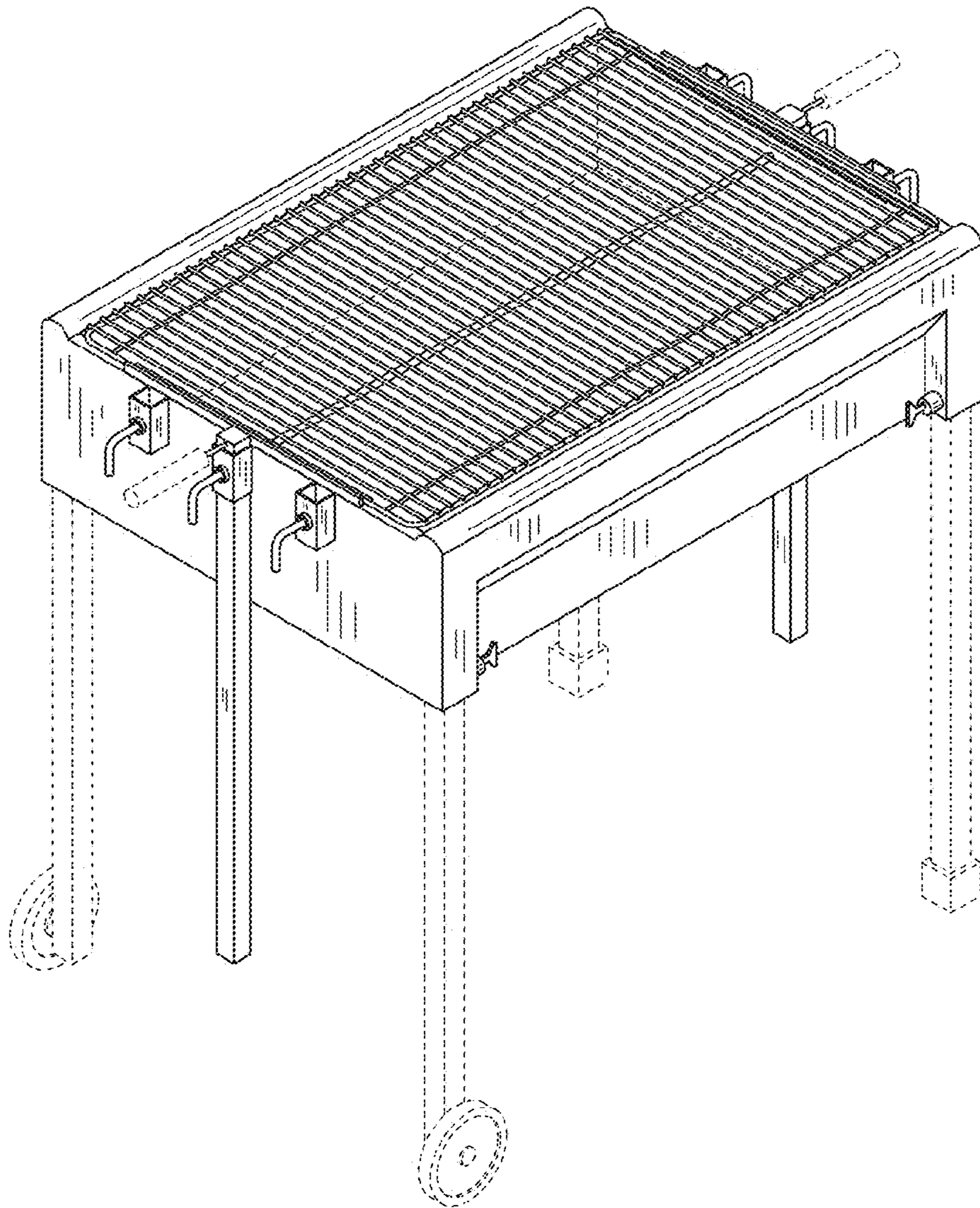


FIG.9

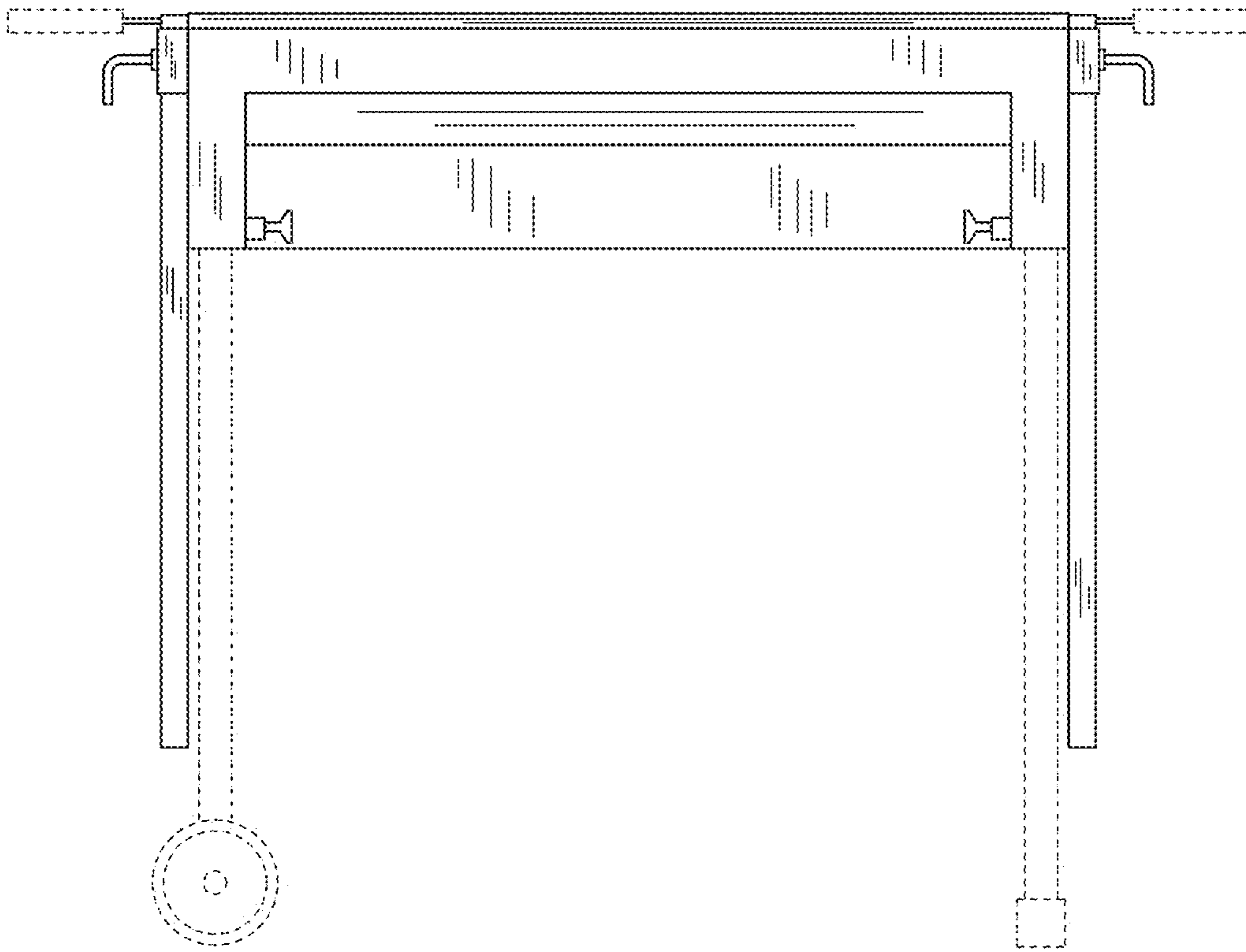


FIG. 10

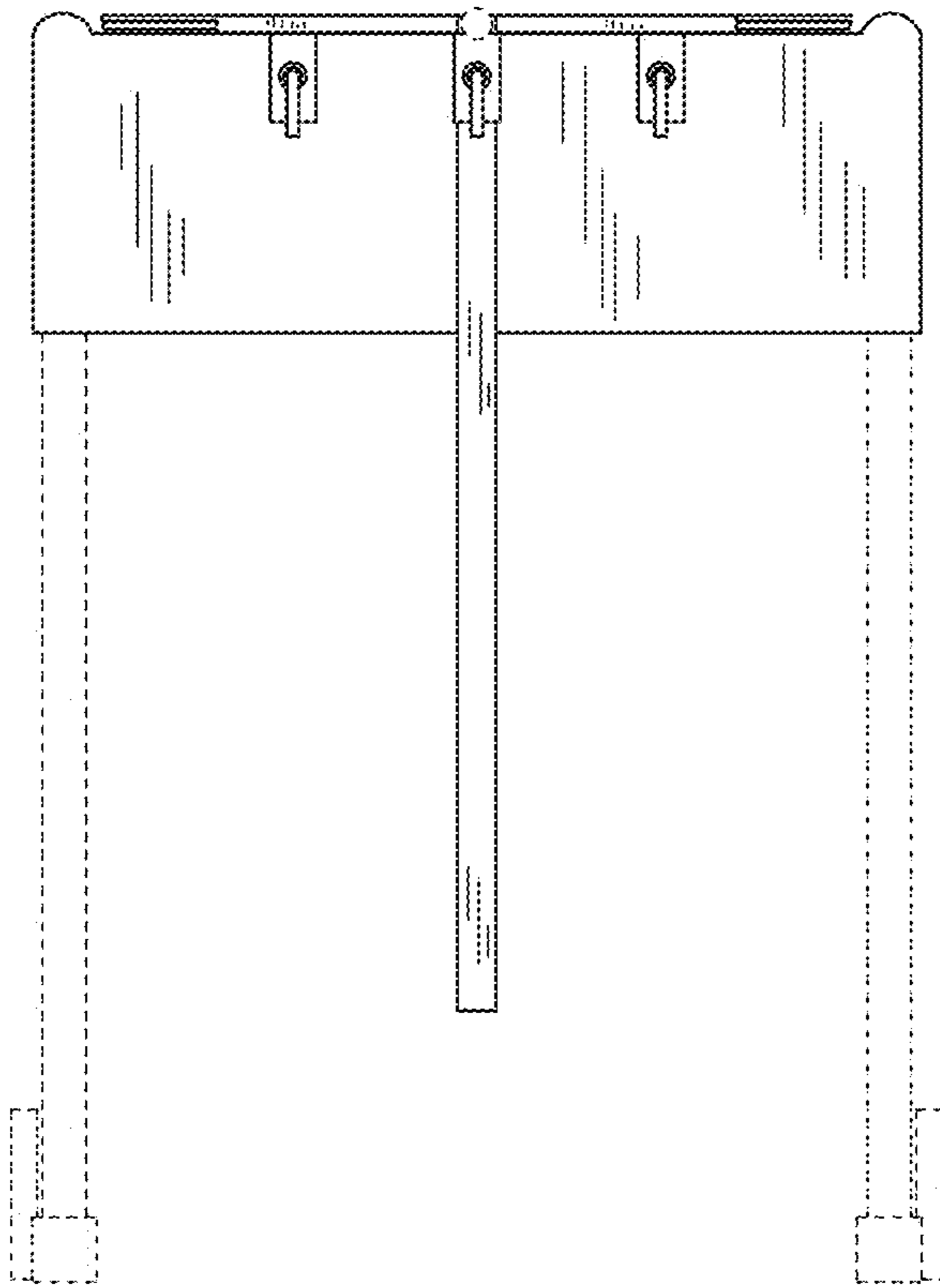


FIG.11

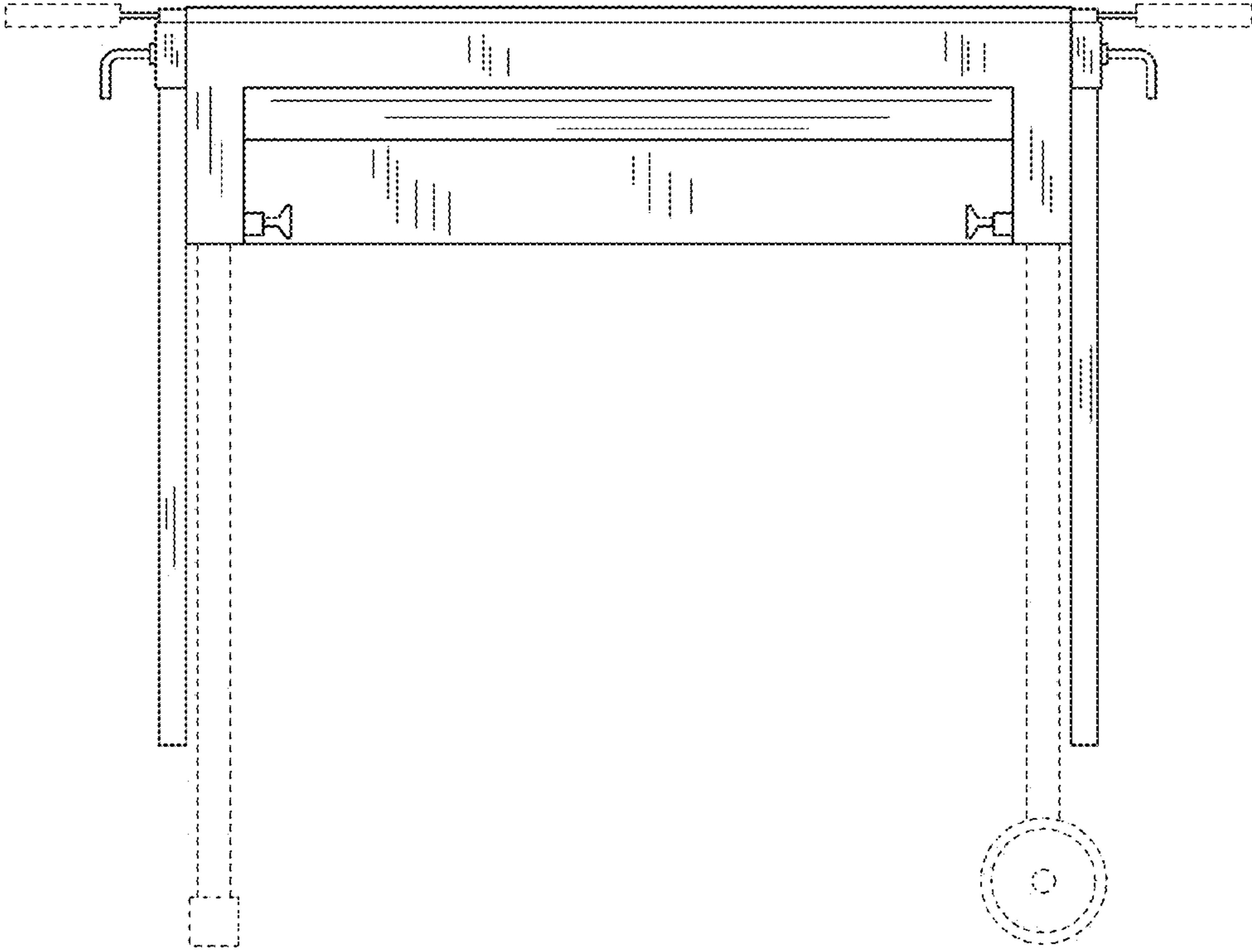


FIG.12

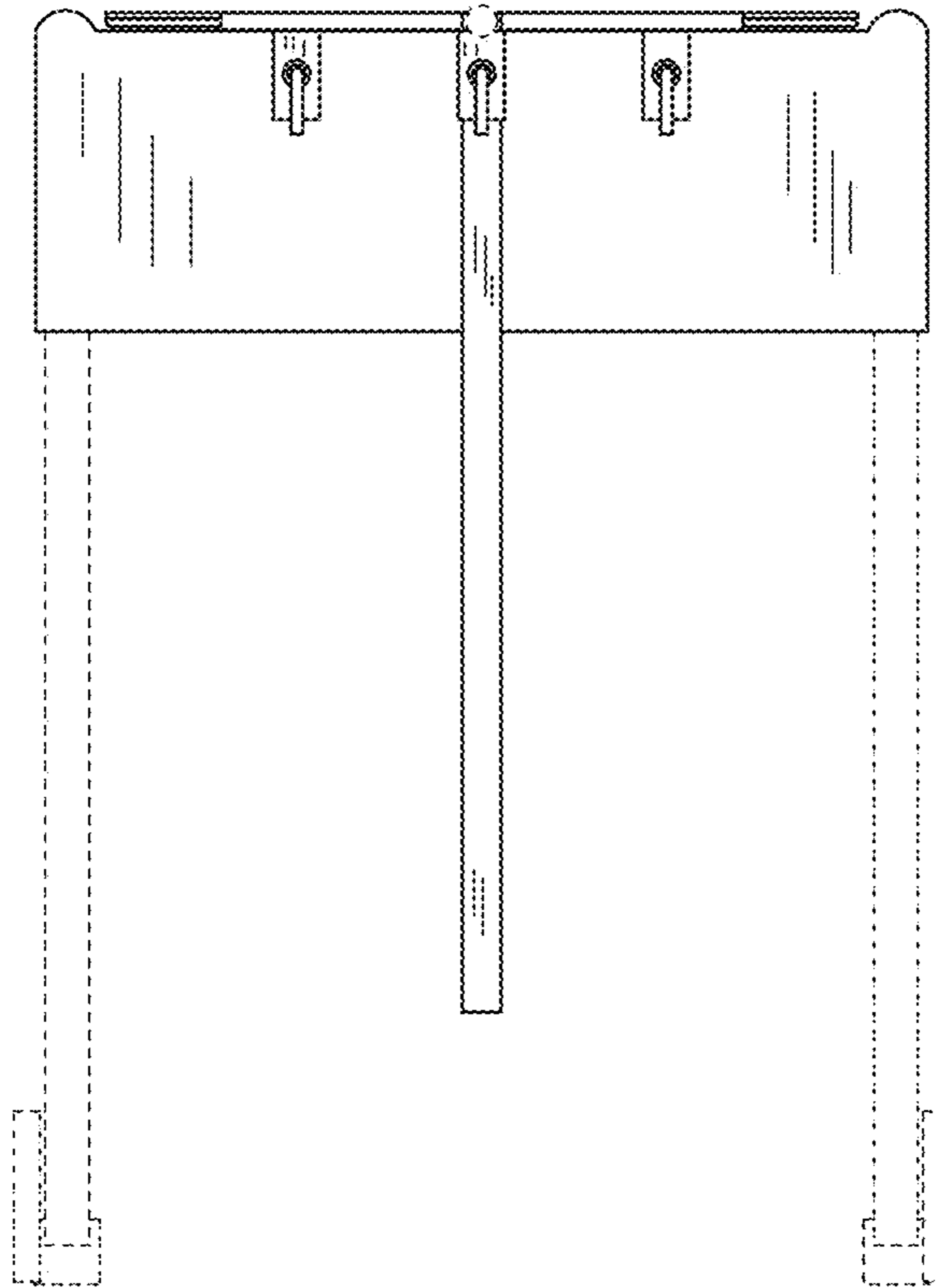


FIG.13

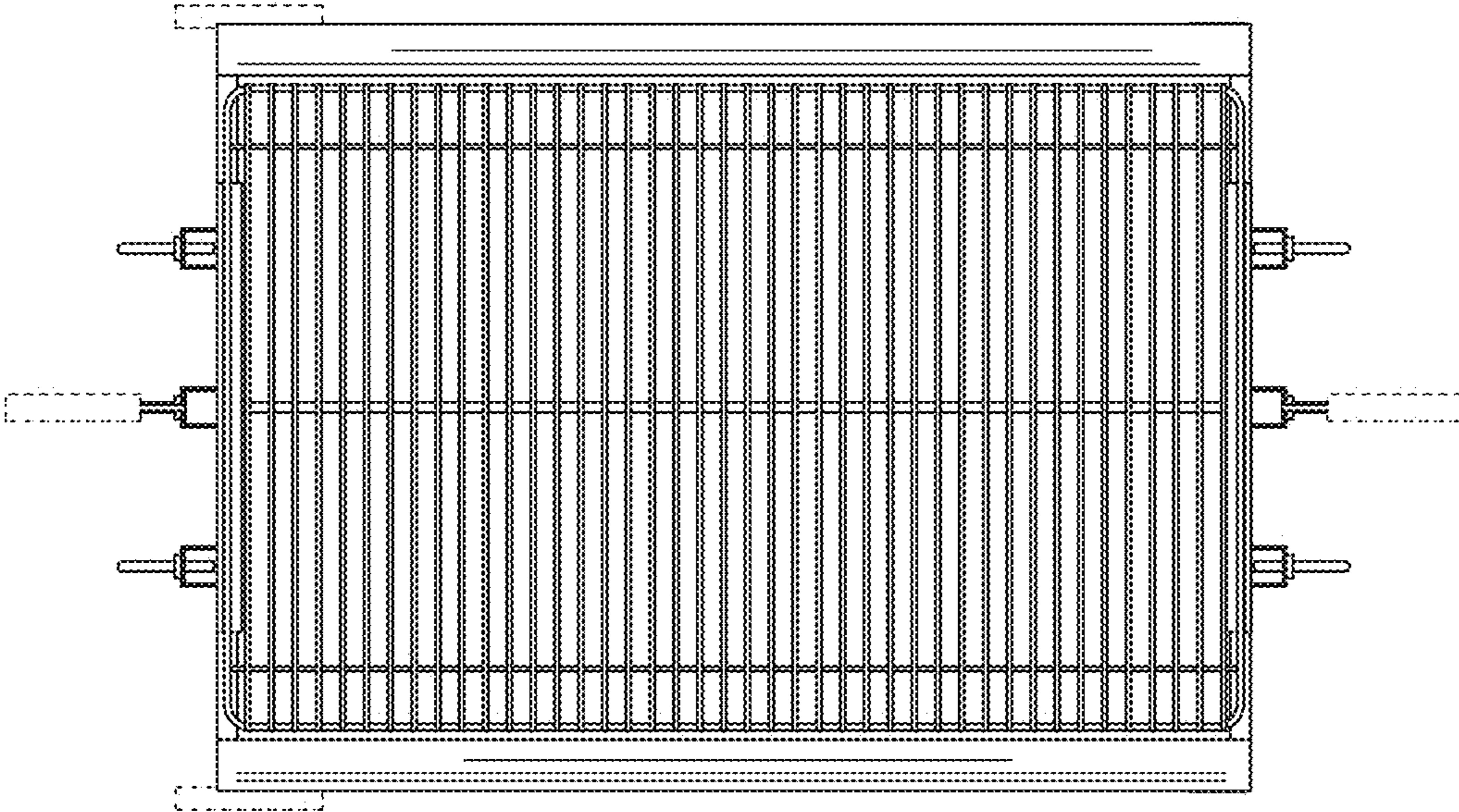


FIG.14

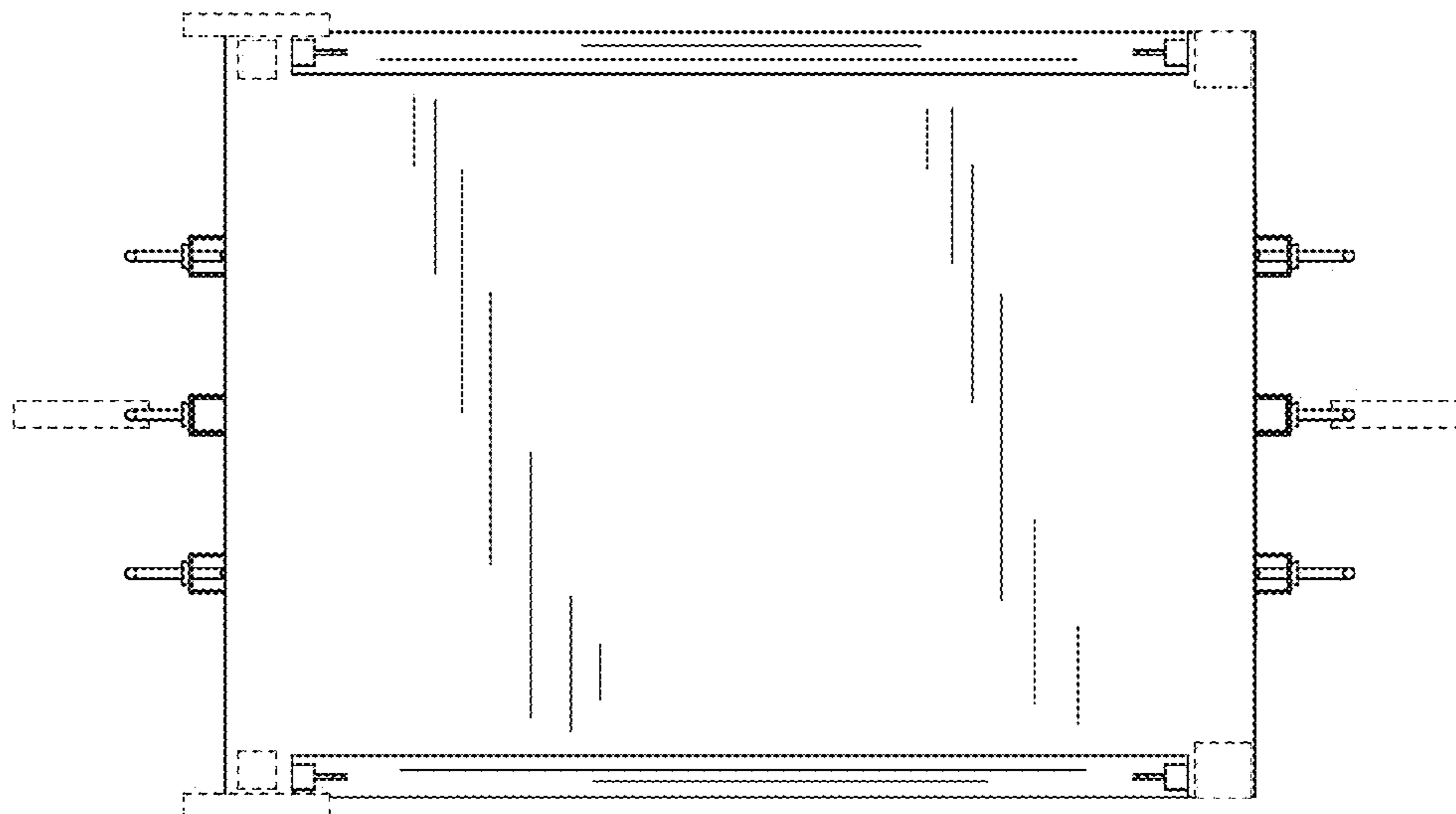


FIG.15

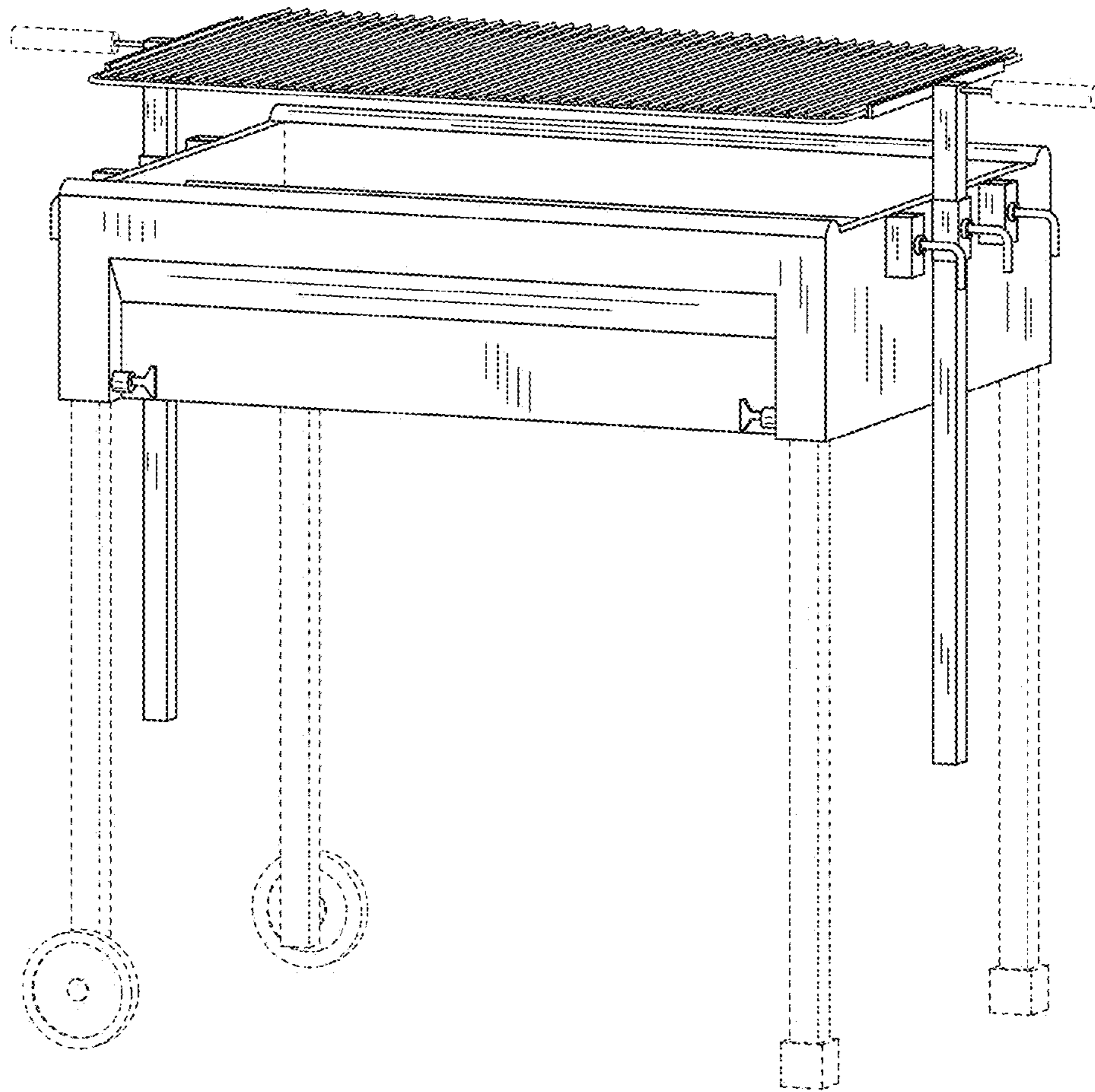


FIG.16