



US00D688509S

(12) **United States Design Patent**
Carlson

(10) **Patent No.:** **US D688,509 S**

(45) **Date of Patent:** **** Aug. 27, 2013**

- (54) **TOASTER**
- (71) Applicant: **Hamilton Beach Brands, Inc.**, Glen Allen, VA (US)
- (72) Inventor: **Drew Carlson**, Henrico, VA (US)
- (73) Assignee: **Hamilton Beach Brands, Inc.**, Glen Allen, VA (US)
- (**) Term: **14 Years**
- (21) Appl. No.: **29/443,729**
- (22) Filed: **Jan. 22, 2013**
- (51) **LOC (9) Cl.** **07-02**
- (52) **U.S. Cl.**
USPC **D7/330**
- (58) **Field of Classification Search**
USPC D7/323, 329–331, 337, 339, 346–347, D7/350.1–350.4, 352–367, 391, 393, 395, D7/402, 409, 538, 542, 674; 99/324–327, 99/331–332, 337–349, 358, 369–376, 380–389, 99/400–418, 422, 425, 444–446, 483; 126/37 R, 261, 378.1; 219/385–388, 400, 219/405, 429–442, 450.1, 452.13, 620–624, 219/725, 730–735; 220/23.8, 315, 573.1–573.5, 220/912; 426/233, 438, 441, 523
See application file for complete search history.

4,404,899 A	9/1983	Weiss	
5,088,389 A	2/1992	delFresno	
5,088,399 A	2/1992	Cacace et al.	
5,193,439 A	3/1993	Finesman et al.	
5,644,974 A	7/1997	Slavin	
5,647,270 A	7/1997	Rousseau et al.	
5,694,831 A	12/1997	Haroun et al.	
5,901,638 A	5/1999	Houel	
5,947,006 A	9/1999	Mauffrey	
D424,861 S *	5/2000	Hughes	D7/330
D440,460 S	4/2001	Davis et al.	
6,250,212 B1	6/2001	Yeung et al.	
6,305,273 B1	10/2001	Sherman	
D473,093 S *	4/2003	To	D7/330
D474,640 S	5/2003	Holderfield et al.	
6,753,150 B2	6/2004	Schmidt et al.	
D502,629 S *	3/2005	Guyett et al.	D7/330
D509,702 S	9/2005	Picozza et al.	
D510,676 S *	10/2005	Picozza et al.	D7/330
7,013,798 B2	3/2006	Arnedo et al.	
D520,801 S *	5/2006	Cuffaro et al.	D7/330
D527,568 S *	9/2006	Page et al.	D7/330

(Continued)

Primary Examiner — Ricky Pham
(74) *Attorney, Agent, or Firm* — Alexander D. Raring

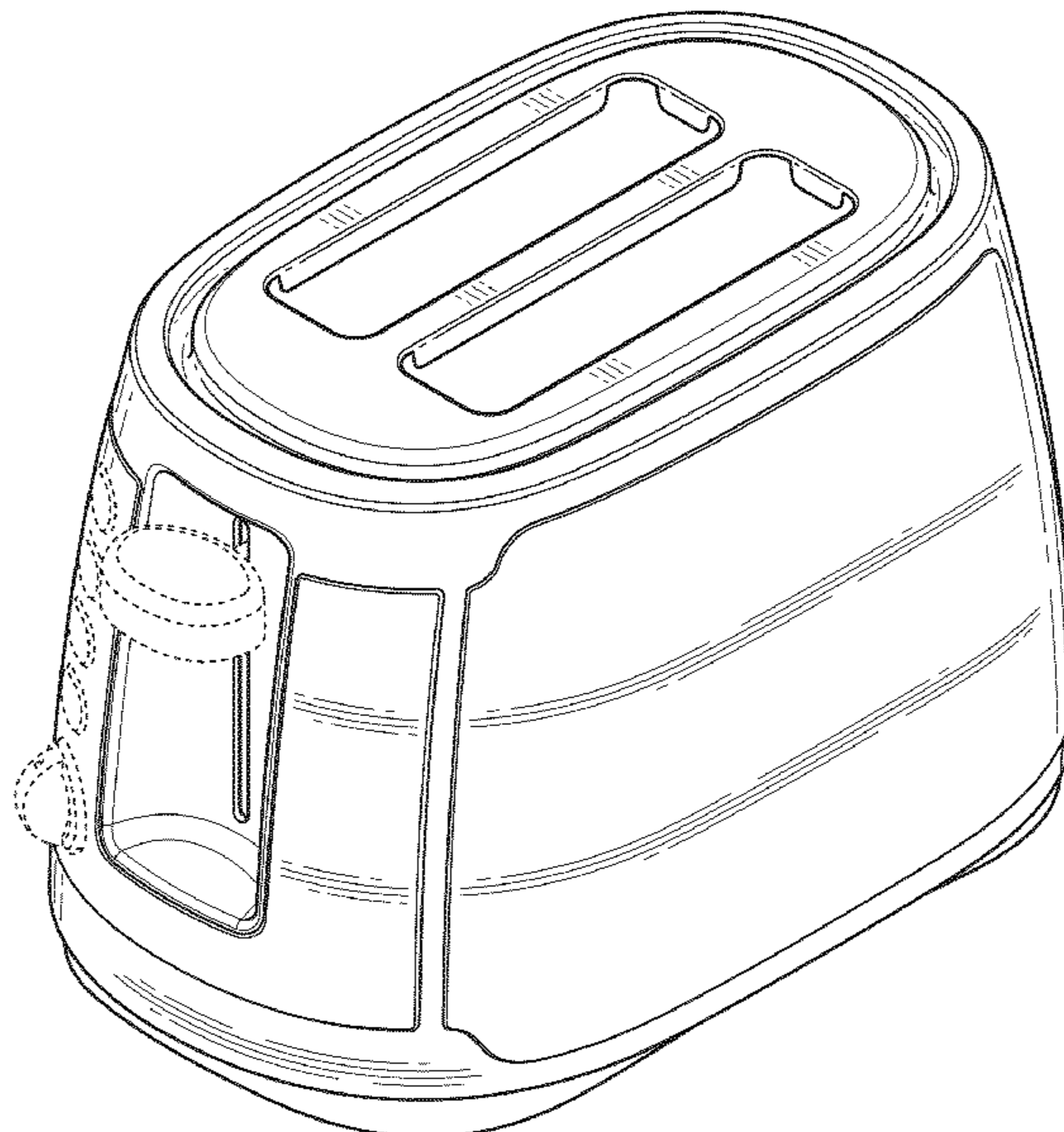
(57) **CLAIM**
The ornamental design for a toaster, as shown and described.

DESCRIPTION

FIG. 1 is a perspective view as seen from the top, front and right side of a toaster showing the new design;
FIG. 2 is a front view thereof;
FIG. 3 is a rear view thereof;
FIG. 4 is a right side view thereof;
FIG. 5 is a left side view thereof;
FIG. 6 is a top view thereof; and,
FIG. 7 is a bottom view thereof.
The broken lines in the drawings are included for illustrative purposes only and form no part of the claimed design.

1 Claim, 7 Drawing Sheets

- (56) **References Cited**
U.S. PATENT DOCUMENTS
1,839,539 A 1/1932 Fageros
1,914,649 A 6/1933 Reinhardt
2,059,440 A 11/1936 Connolly et al.
2,465,577 A 3/1949 Cox
2,862,441 A 12/1958 Schmall
3,074,342 A 1/1963 Wachtel
3,253,536 A 5/1966 Chivers



(56)

References Cited

U.S. PATENT DOCUMENTS

D551,488 S *	9/2007	Ting et al.	D7/330	7,351,939 B2	4/2008	Boyle et al.	
D552,918 S *	10/2007	Kim et al.	D7/330	D593,357 S *	6/2009	Picozza et al.	D7/330
D553,421 S *	10/2007	Kim et al.	D7/330	D593,358 S *	6/2009	Kim et al.	D7/330
D567,570 S *	4/2008	O'Loughlin	D7/330	D644,473 S *	9/2011	Pantaleo et al.	D7/330
				2004/0144257 A1	7/2004	Battu	
				2006/0201334 A1	9/2006	Belanger	

* cited by examiner

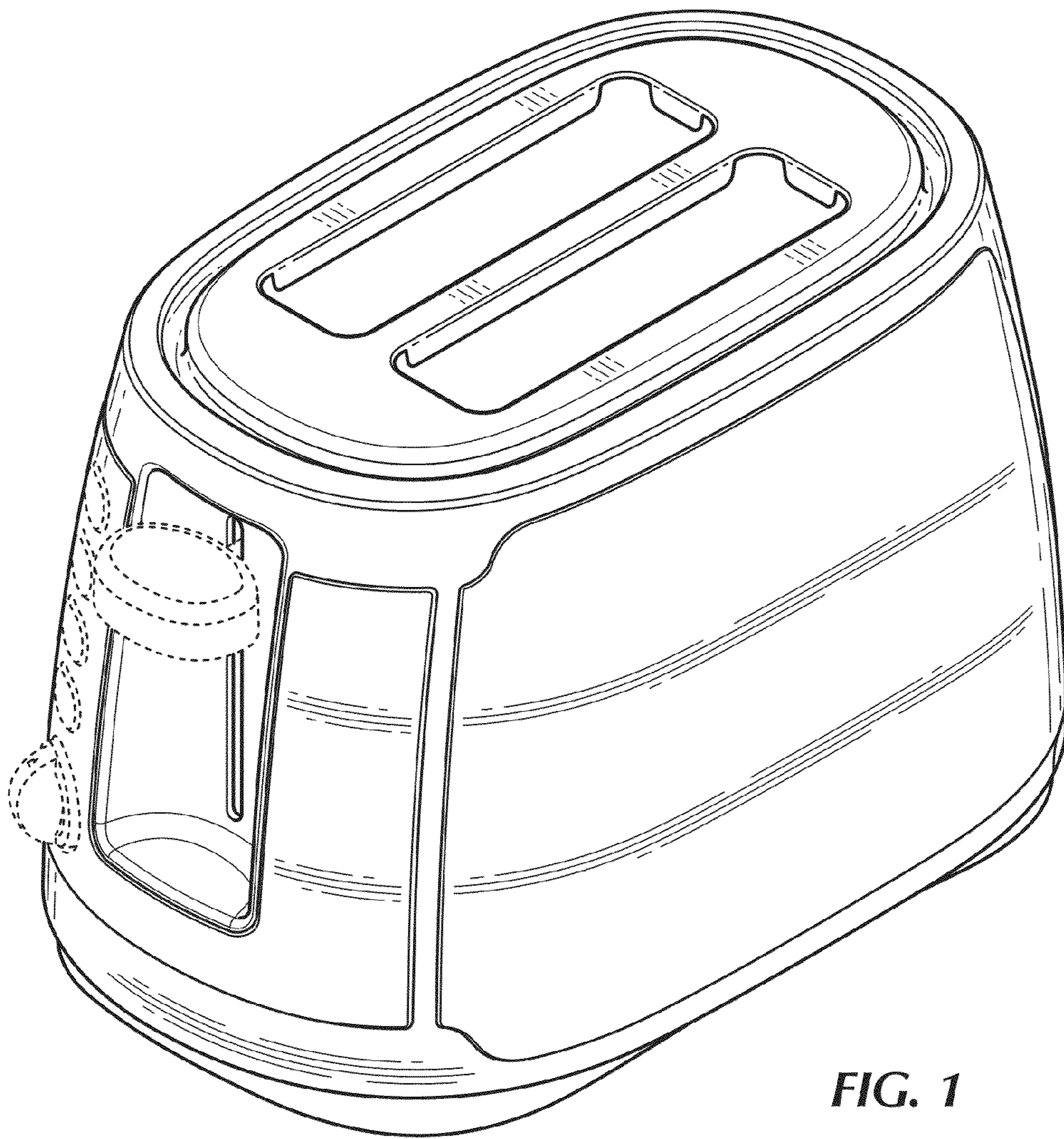


FIG. 1

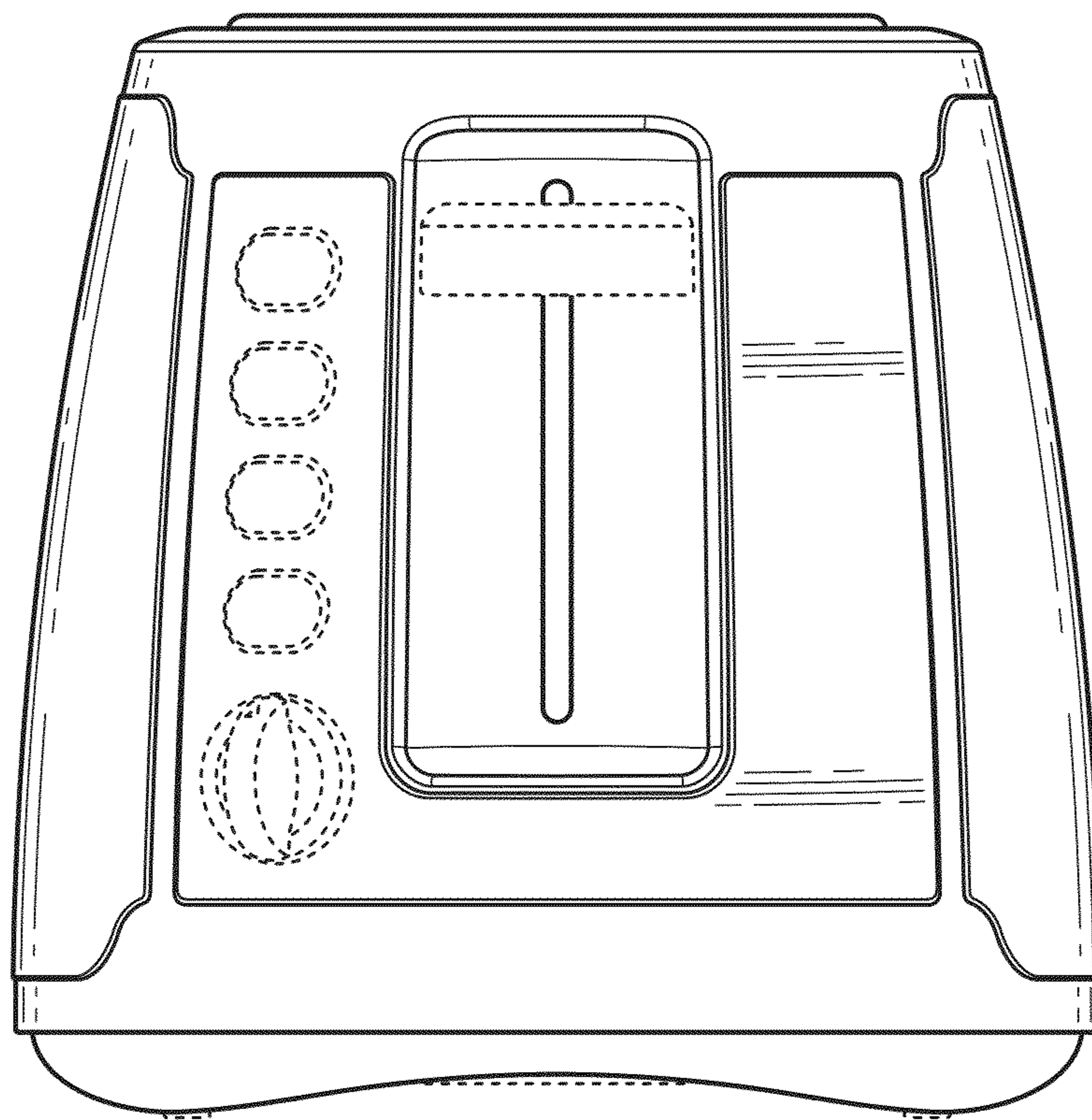


FIG. 2

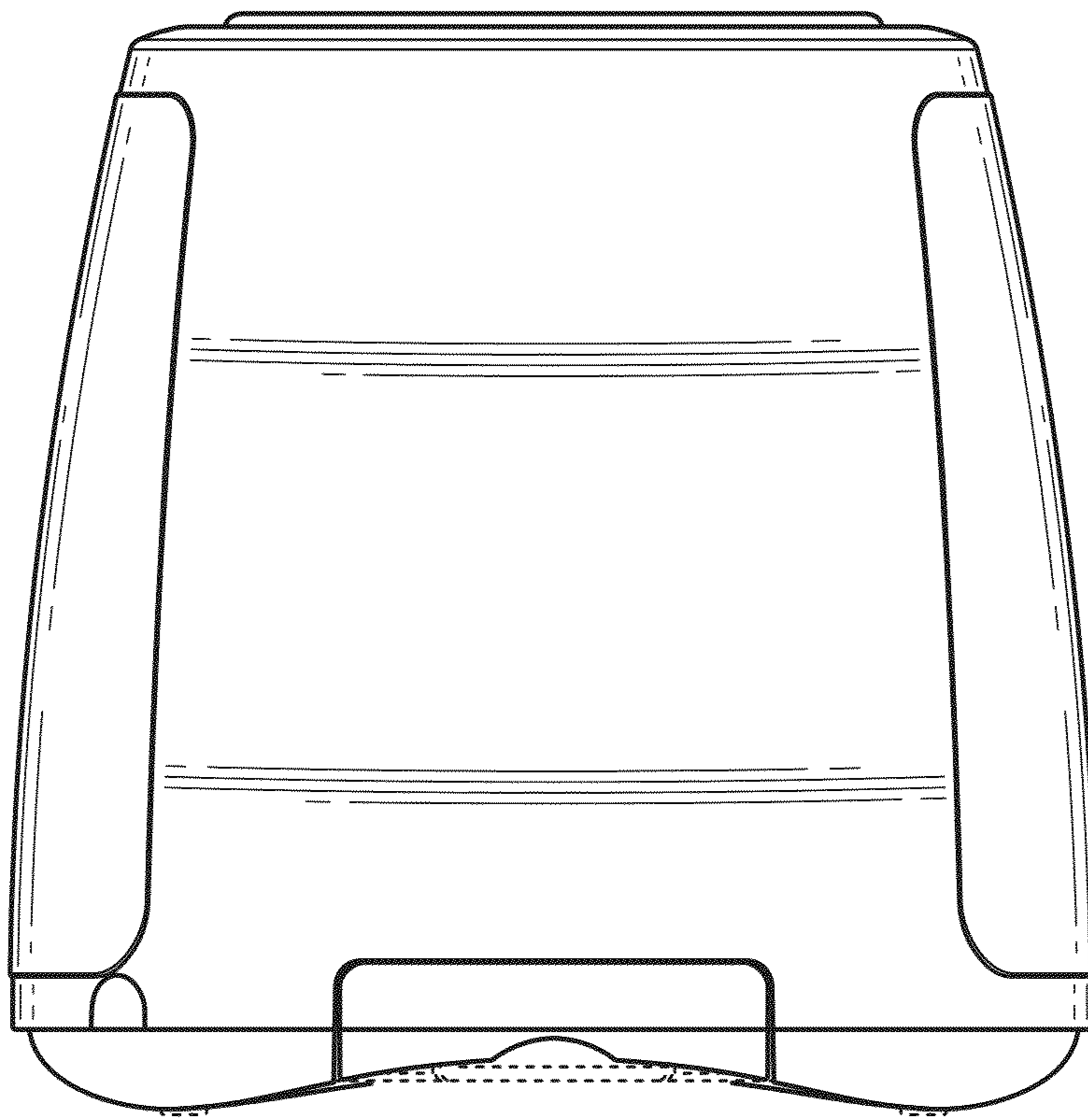


FIG. 3

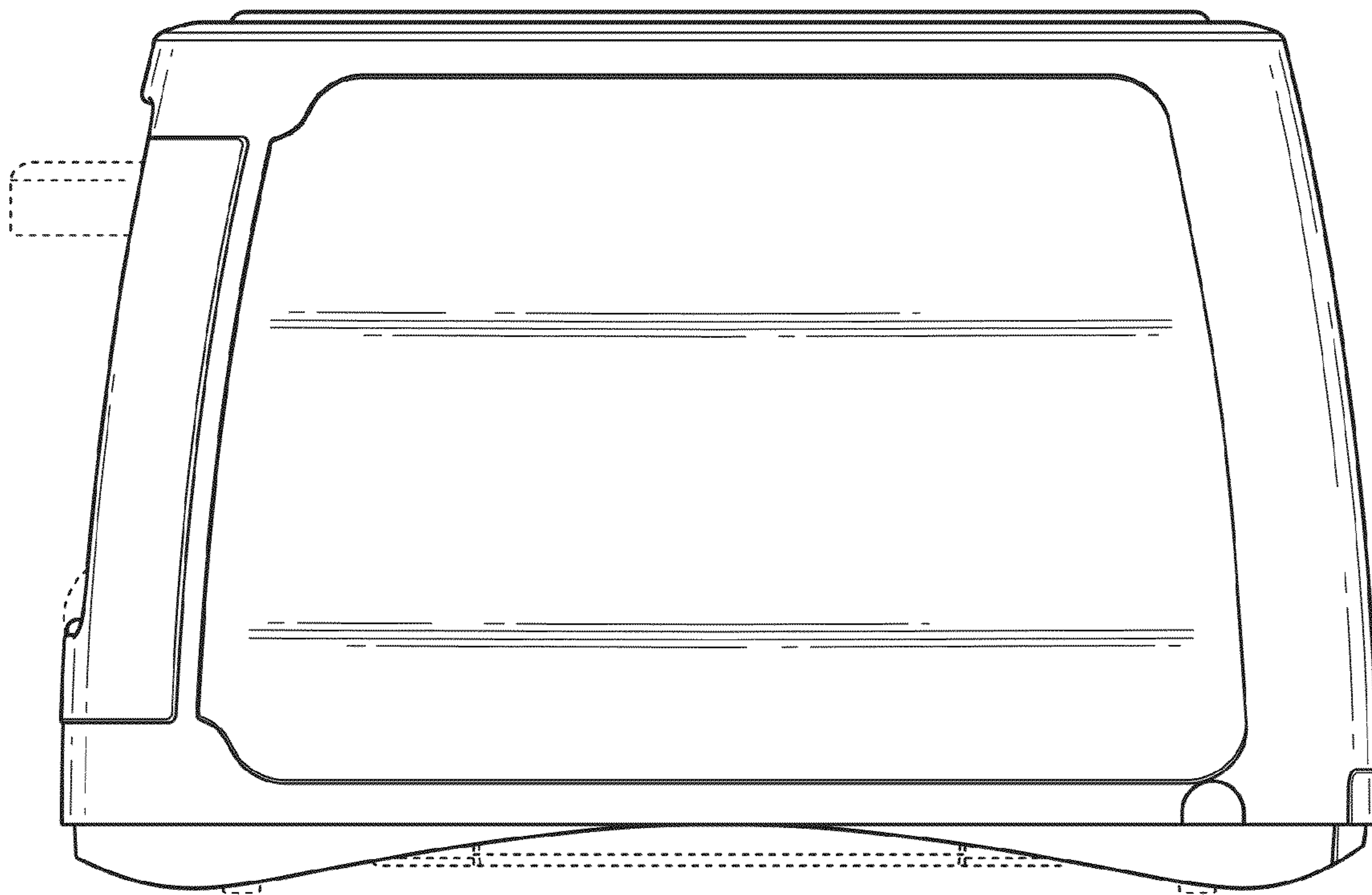


FIG. 4

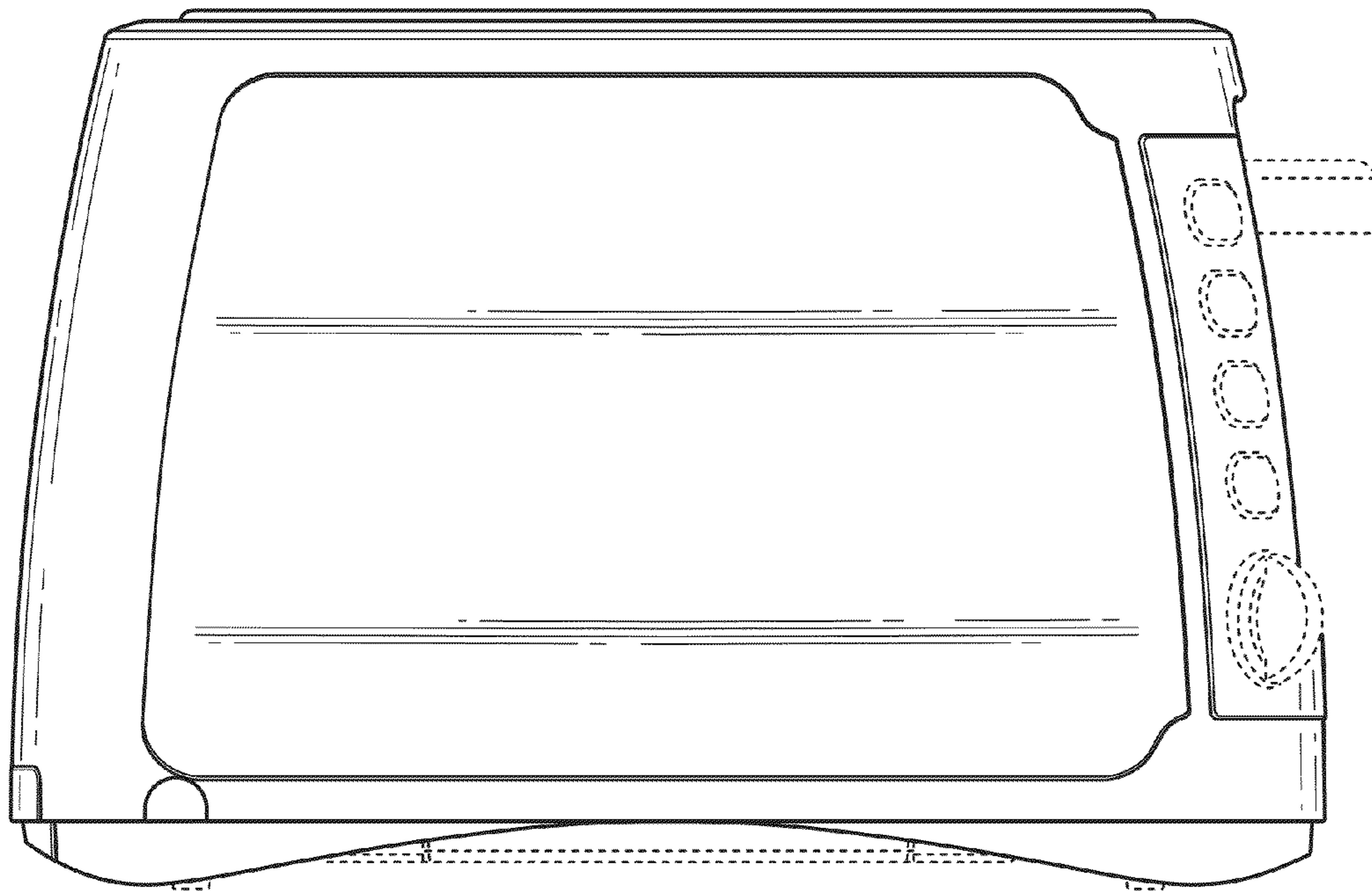


FIG. 5

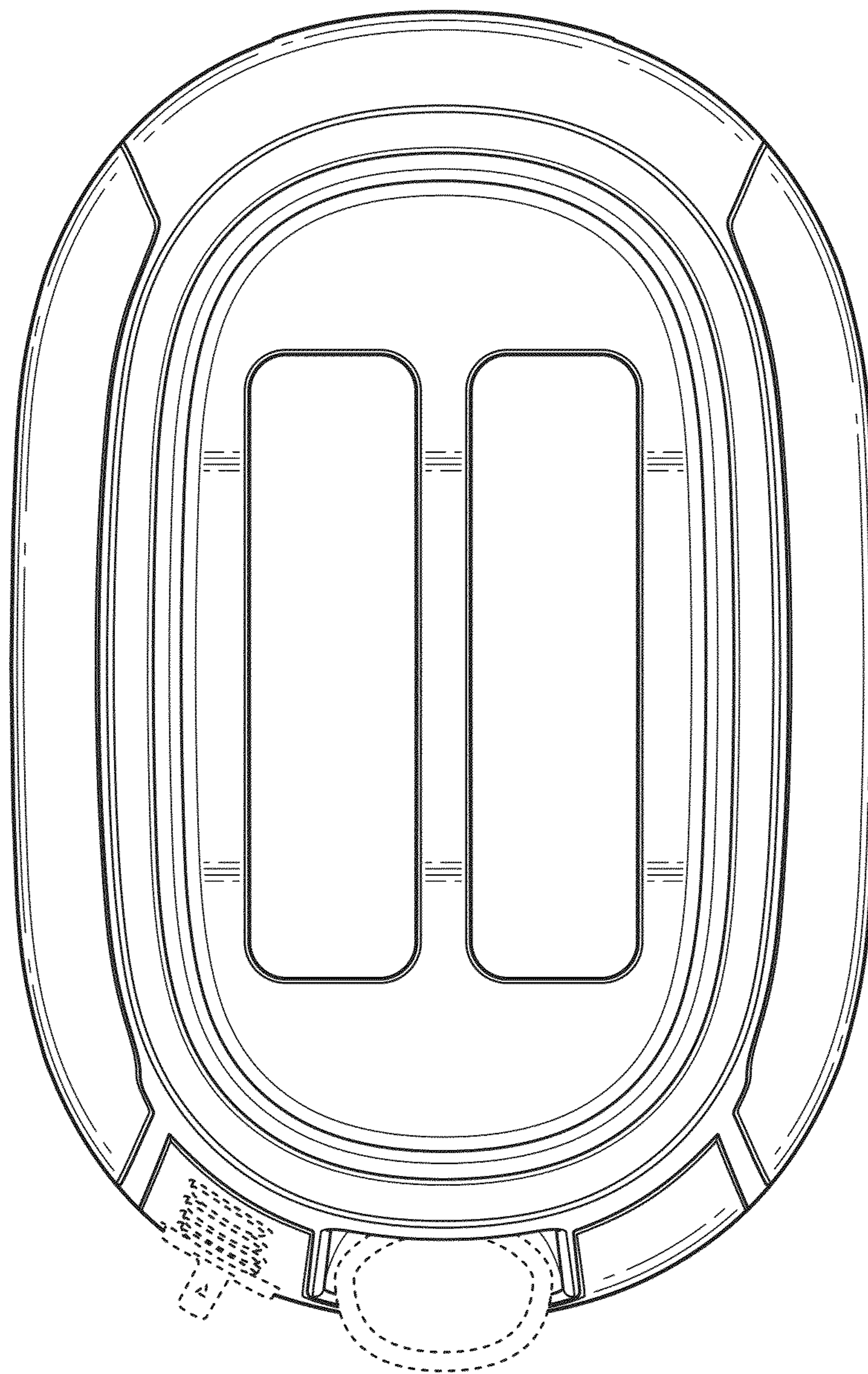


FIG. 6

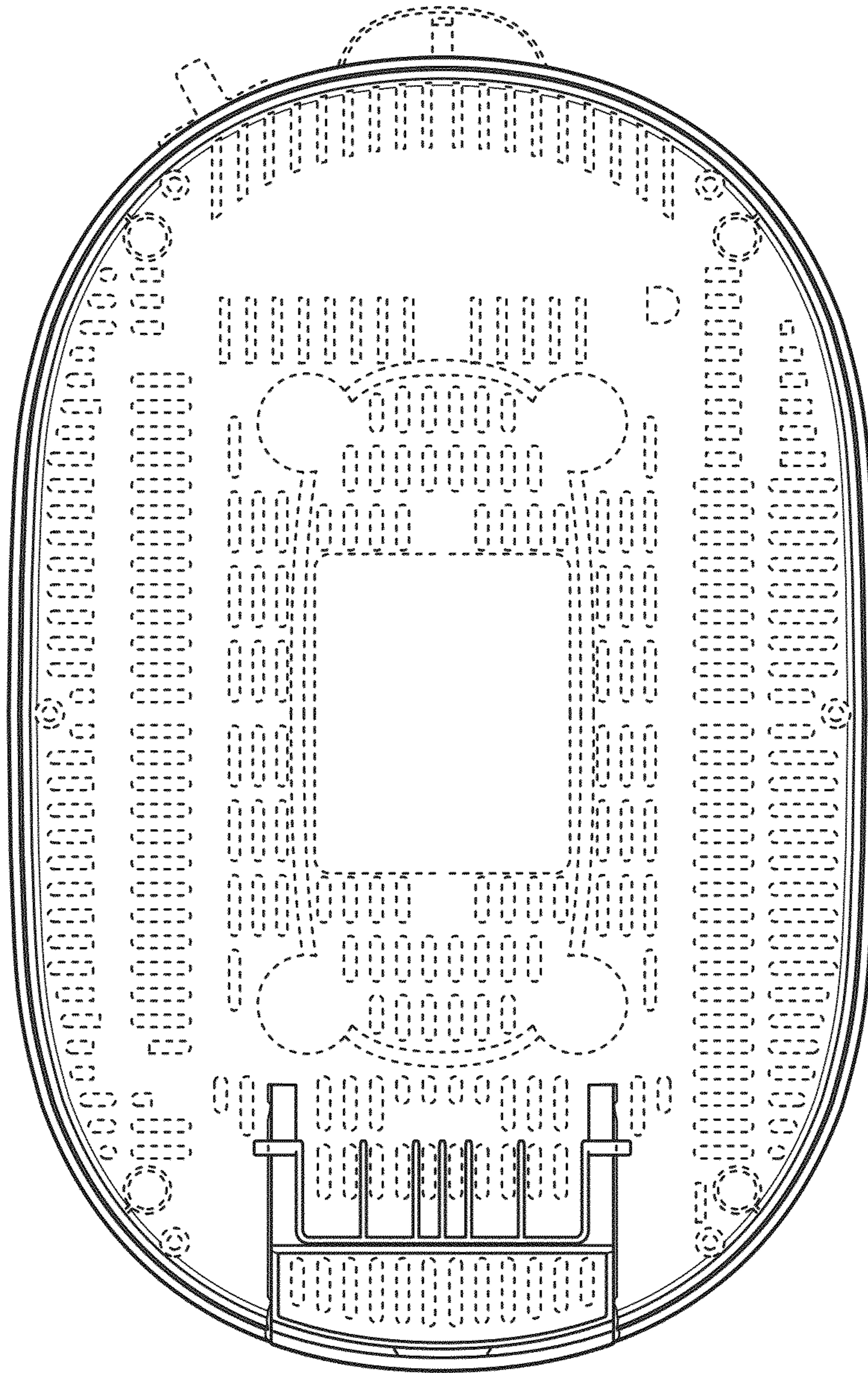


FIG. 7