



US00D688508S

(12) **United States Design Patent**  
**Garman**

(10) **Patent No.:** **US D688,508 S**

(45) **Date of Patent:** **\*\* Aug. 27, 2013**

(54) **TOASTER**

(71) Applicant: **Hamilton Beach Brands, Inc.**, Glen Allen, VA (US)

(72) Inventor: **Michael Garman**, Moseley, VA (US)

(73) Assignee: **Hamilton Beach Brands, Inc.**, Glen Allen, VA (US)

(\*\*) Term: **14 Years**

(21) Appl. No.: **29/443,725**

(22) Filed: **Jan. 22, 2013**

(51) **LOC (9) Cl.** ..... **07-02**

(52) **U.S. Cl.**

USPC ..... **D7/330**

(58) **Field of Classification Search**

USPC ..... D7/323, 329-331, 337, 339, 346-347, D7/350.1-350.4, 352-367, 391, 393, 395, D7/402, 409, 538, 542, 674; 99/324-327, 99/331-332, 337-349, 358, 369-376, 380-389, 99/400-418, 422, 425, 444-446, 483; 126/37 R, 261, 378.1; 219/385-388, 400, 405, 429-442, 450.1, 219/452.13, 620-624, 725, 730-735; 220/23.8, 220/315, 573.1-573.5, 912; 426/233, 438, 426/441, 523

See application file for complete search history.

(56) **References Cited**

**U.S. PATENT DOCUMENTS**

D338,368 S \* 8/1993 Naft et al. .... D7/330  
D378,971 S \* 4/1997 Cruz ..... D7/330  
D415,924 S \* 11/1999 Powel ..... D7/330

D440,460 S 4/2001 Davis et al.  
D470,709 S \* 2/2003 Starr et al. .... D7/330  
D488,664 S \* 4/2004 Seum et al. .... D7/330  
D492,536 S 7/2004 Wong et al.  
D502,629 S \* 3/2005 Guyett et al. .... D7/330  
D502,839 S 3/2005 Cuffaro et al.  
D509,702 S 9/2005 Picozza et al.  
D520,801 S 5/2006 Cuffaro et al.  
D525,473 S 7/2006 Brown  
D569,166 S \* 5/2008 Borin ..... D7/330  
D593,358 S \* 6/2009 Kim et al. .... D7/330  
D608,134 S 1/2010 Steiner  
D613,546 S \* 4/2010 Picozza et al. .... D7/330  
D615,343 S \* 5/2010 Bock et al. .... D7/330  
D622,092 S \* 8/2010 Picozza et al. .... D7/330  
D635,390 S 4/2011 Duncan et al.  
D640,894 S \* 7/2011 Duncan et al. .... D7/330  
D661,942 S \* 6/2012 Palermo et al. .... D7/330

\* cited by examiner

*Primary Examiner* — Ricky Pham

(74) *Attorney, Agent, or Firm* — Alexander D. Raring

(57) **CLAIM**

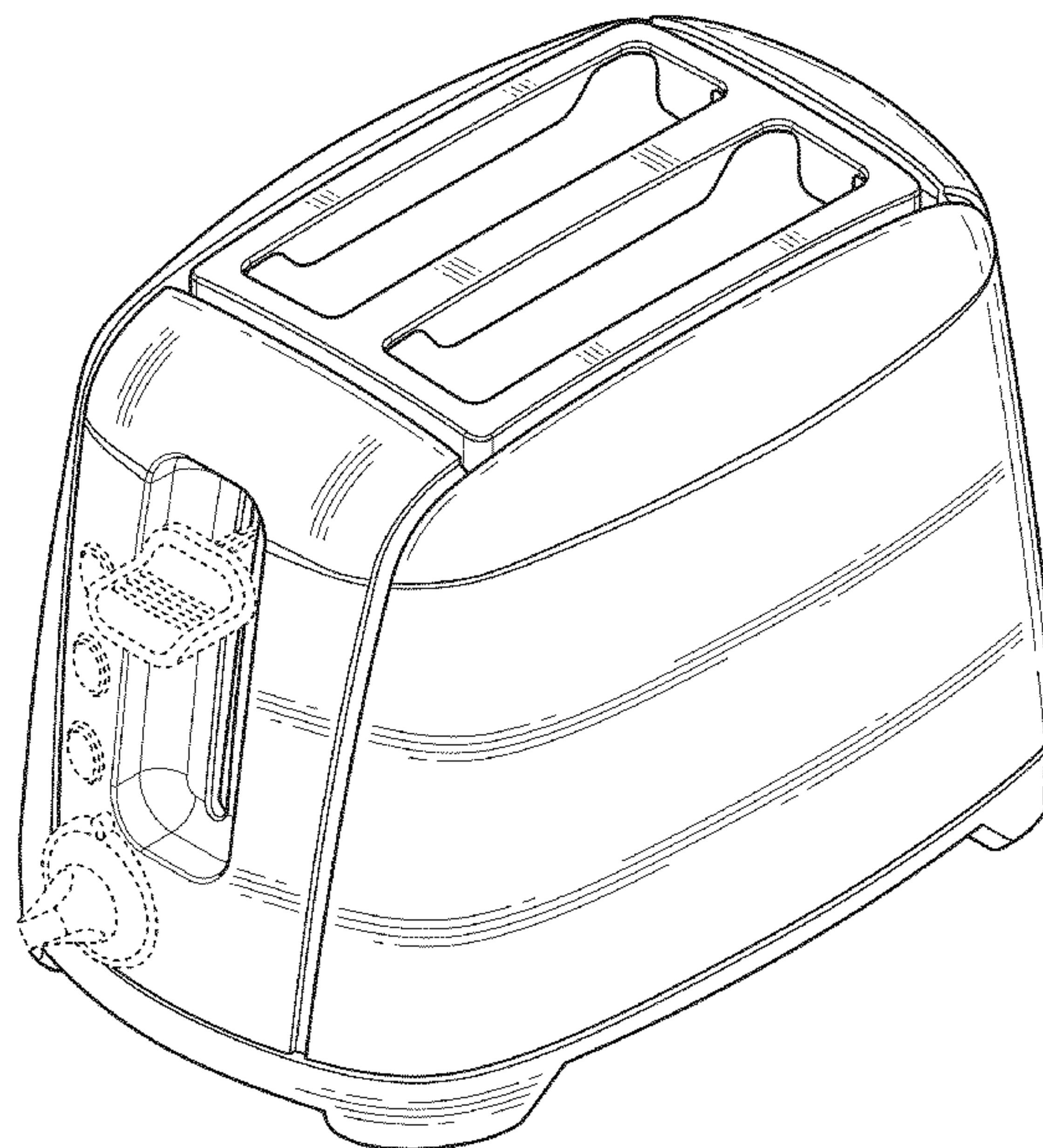
The ornamental design for a toaster, as shown and described.

**DESCRIPTION**

FIG. 1 is a perspective view as seen from the top, front and right side of a toaster showing the new design;  
FIG. 2 is a front view thereof;  
FIG. 3 is a rear view thereof;  
FIG. 4 is a left side view thereof;  
FIG. 5 is a right side view thereof;  
FIG. 6 is a top view thereof; and,  
FIG. 7 is a bottom view thereof.

The broken lines in the drawings are included for illustrative purposes only and form no part of the claimed design.

**1 Claim, 7 Drawing Sheets**



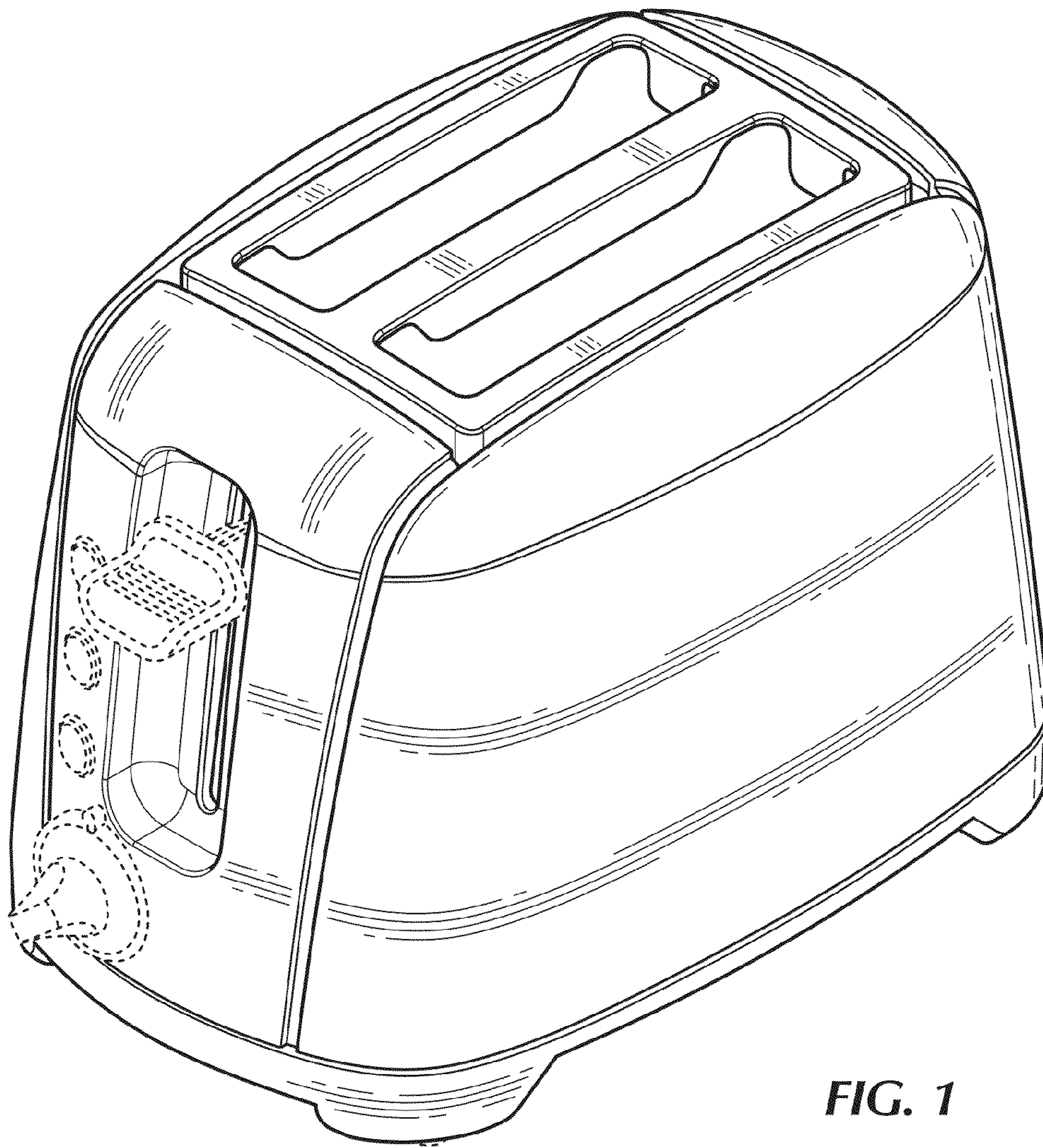
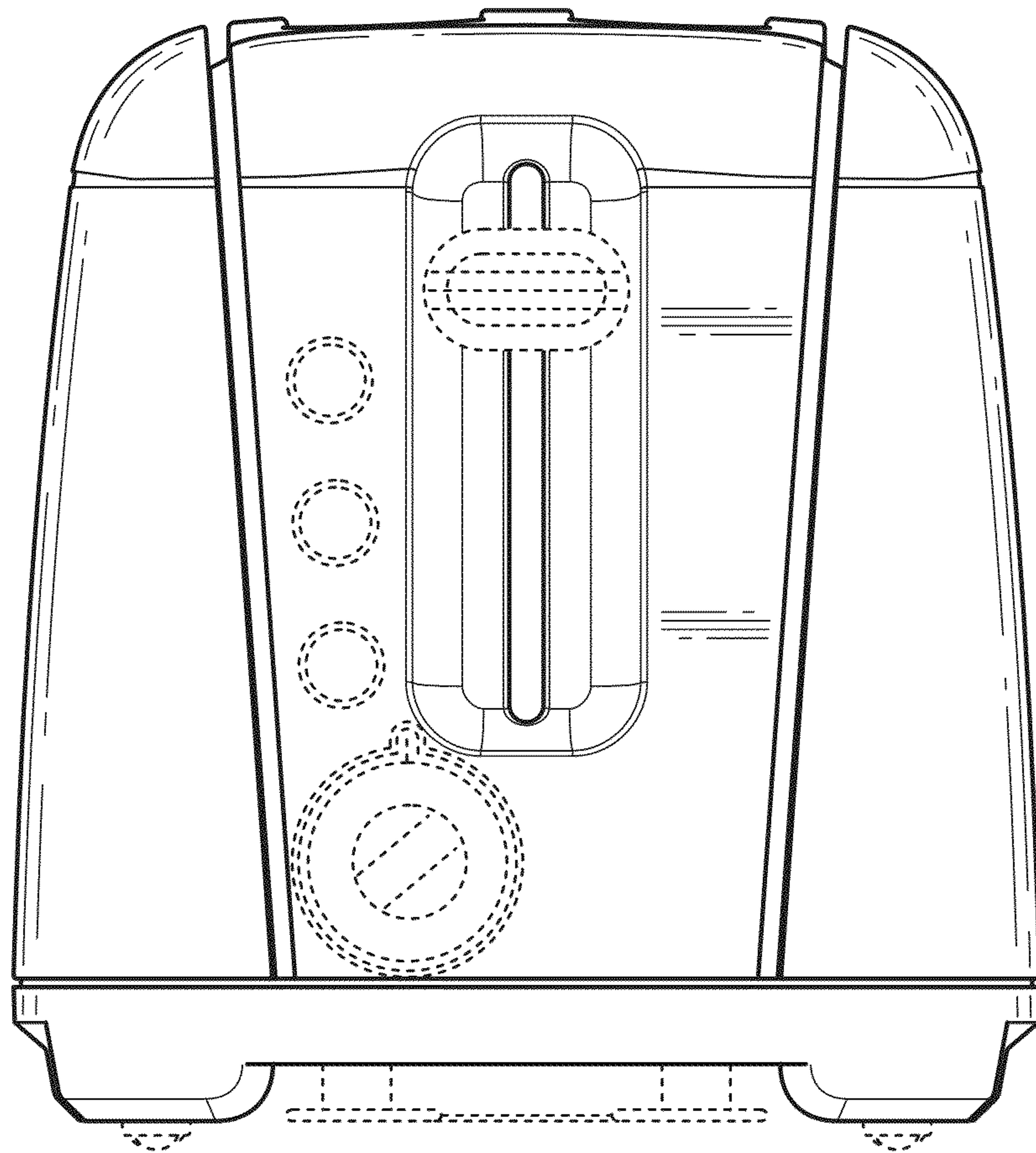
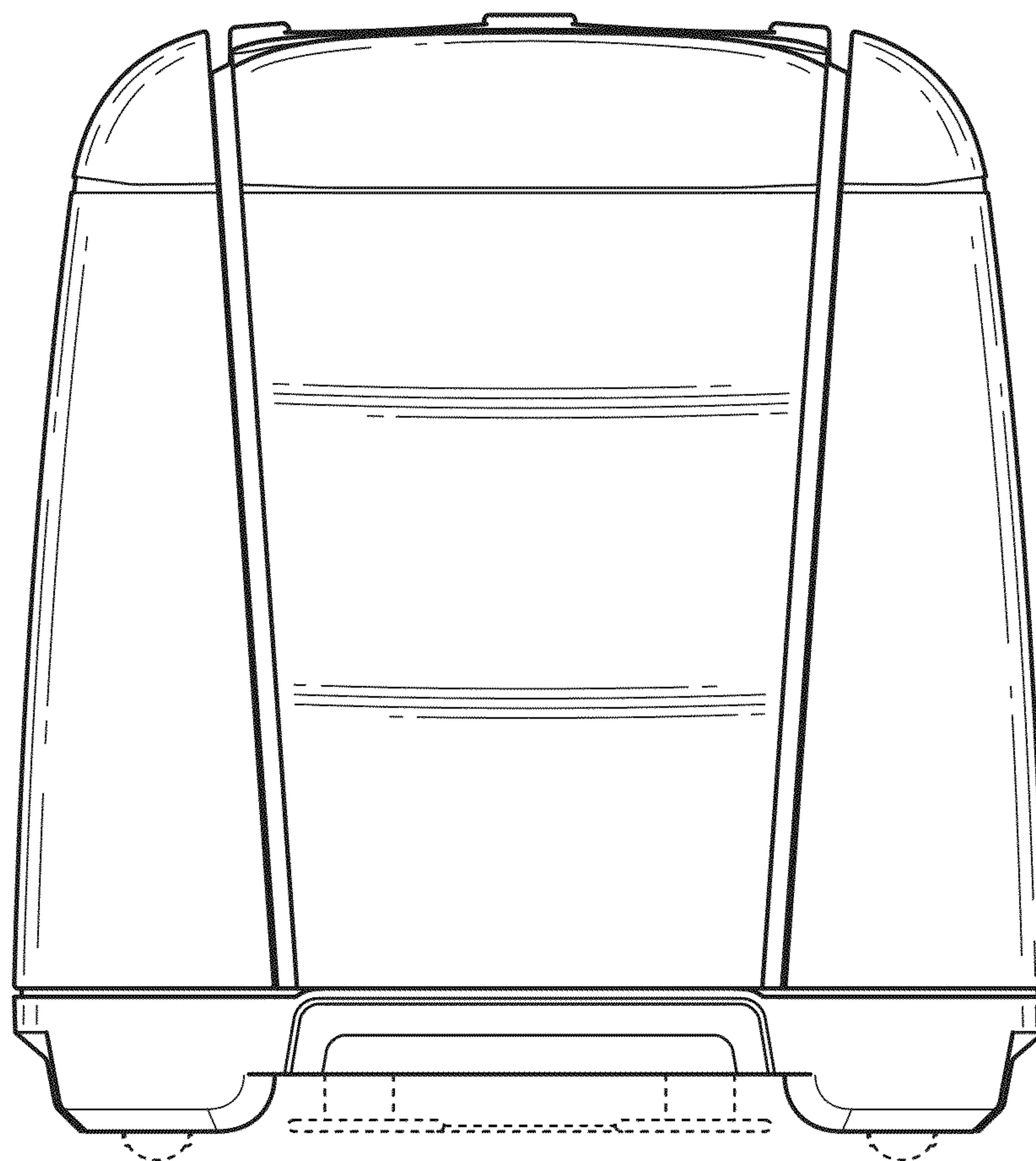


FIG. 1



**FIG. 2**





**FIG. 3**

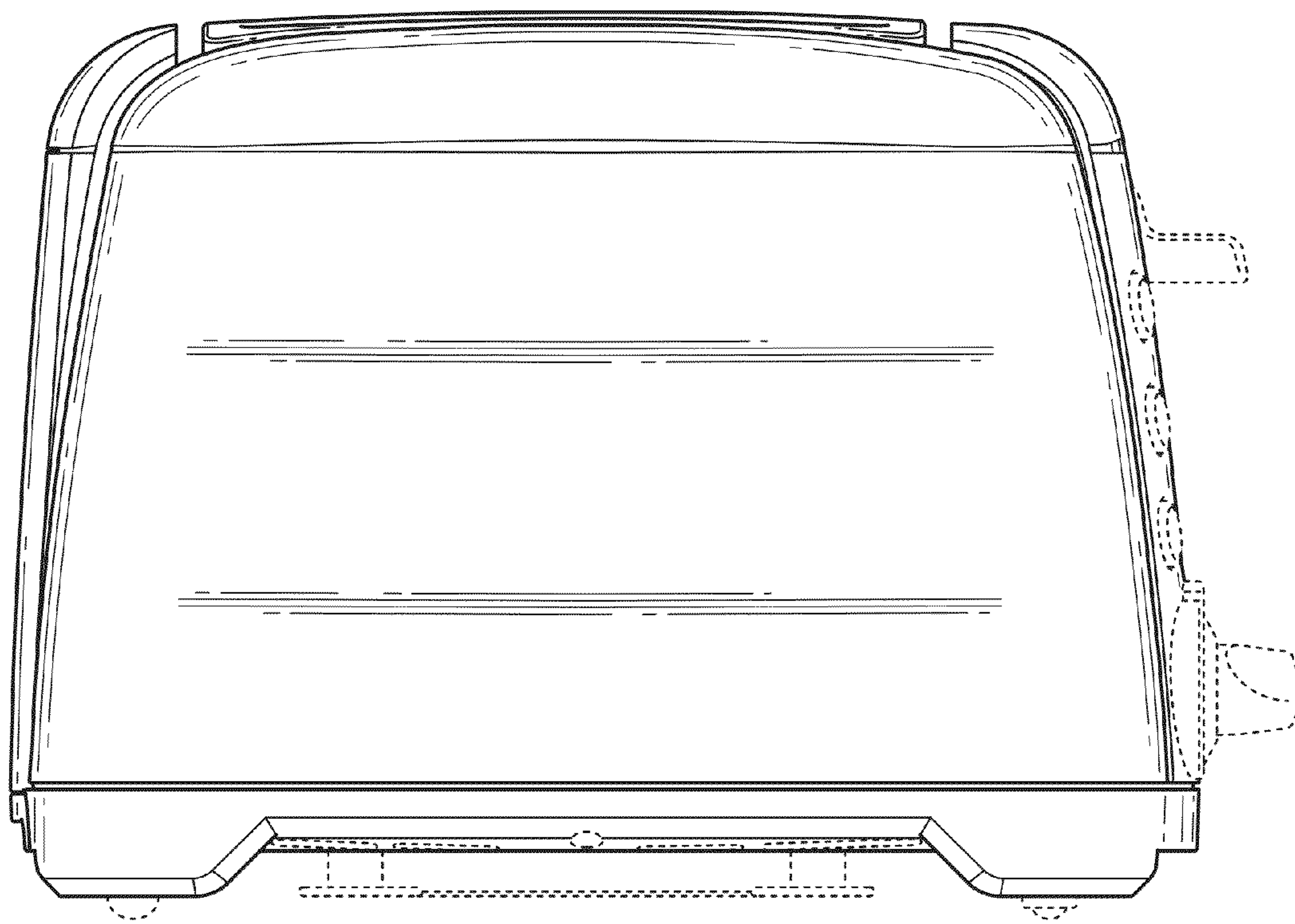


FIG. 4

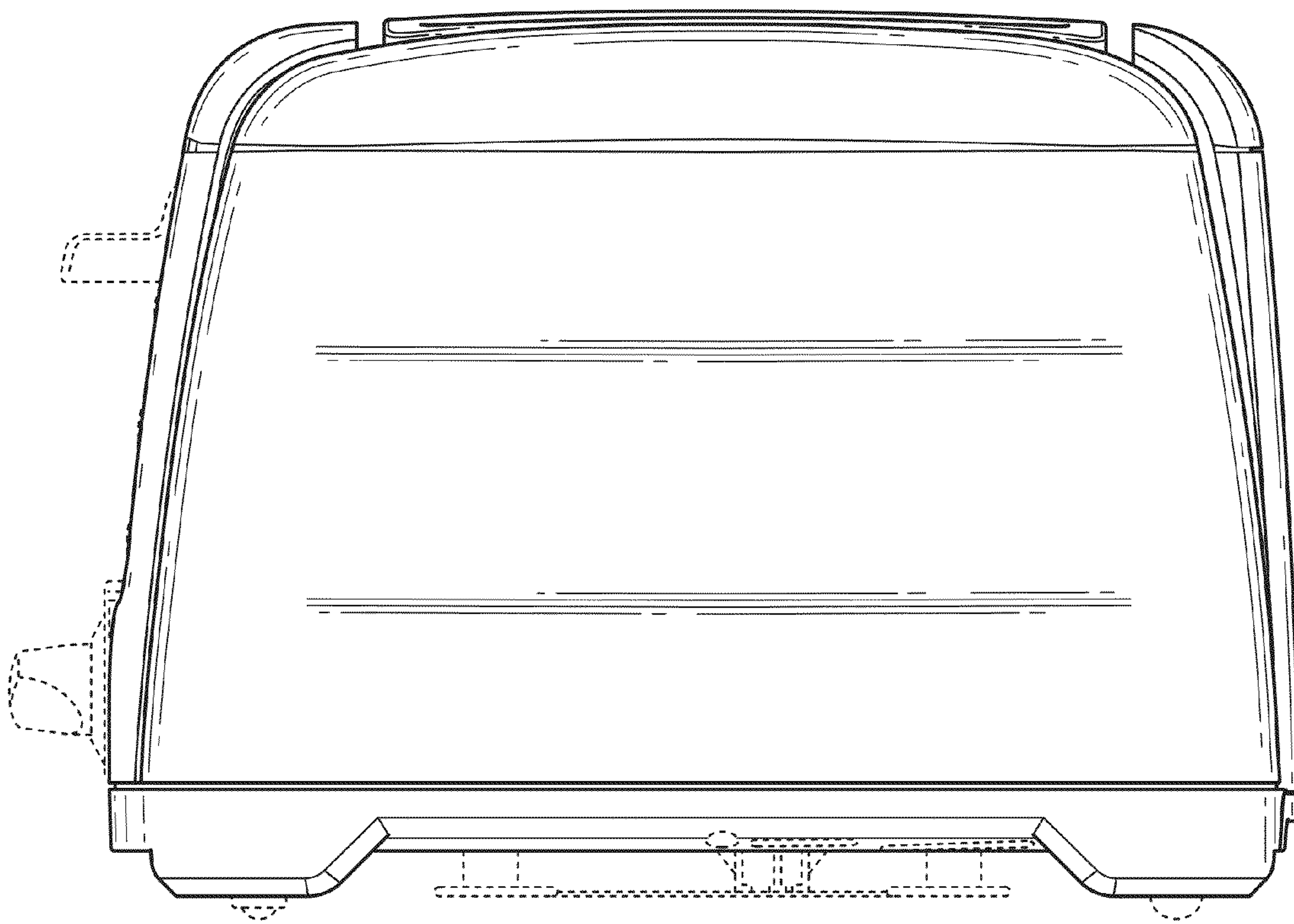
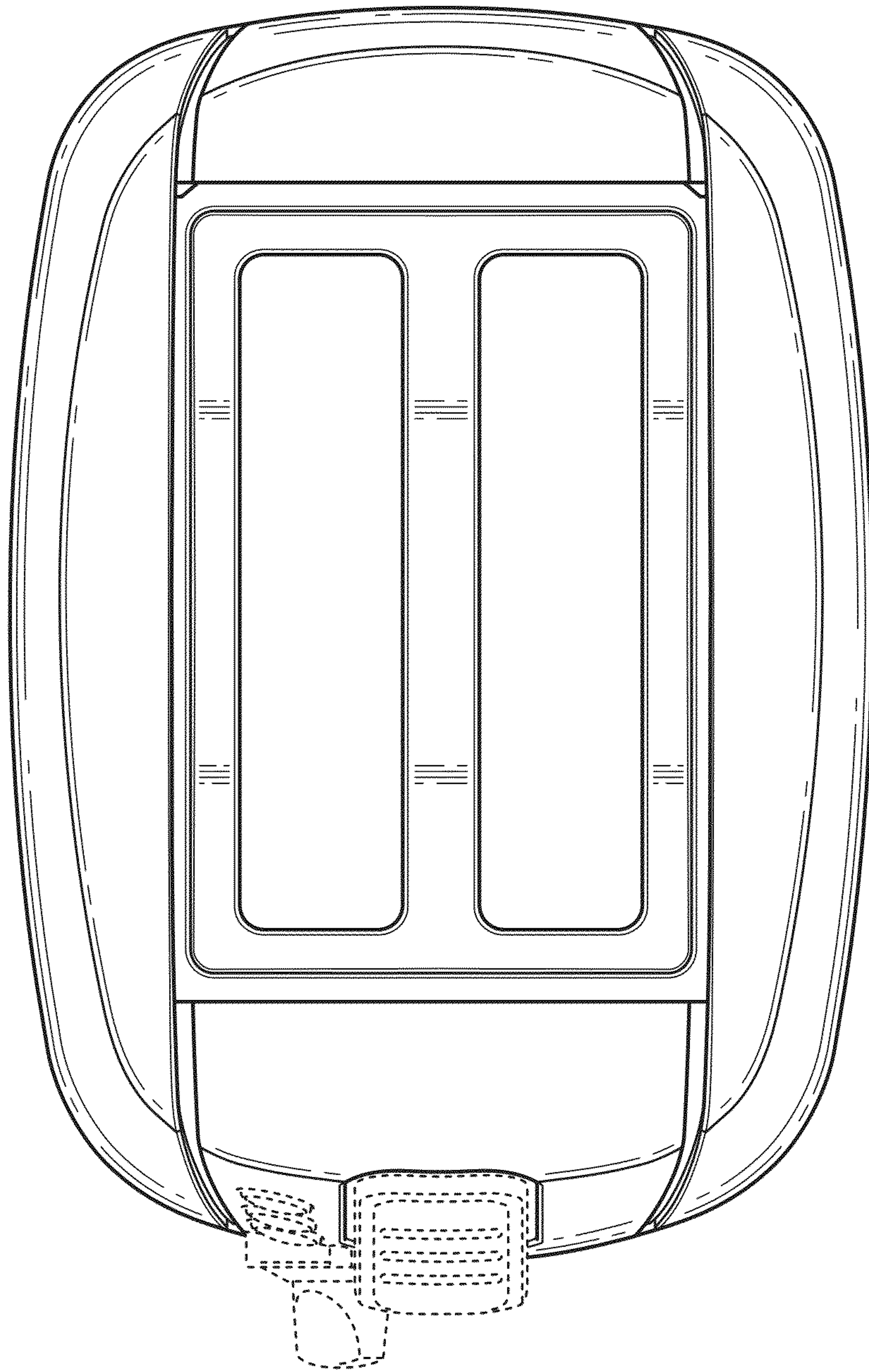


FIG. 5



**FIG. 6**



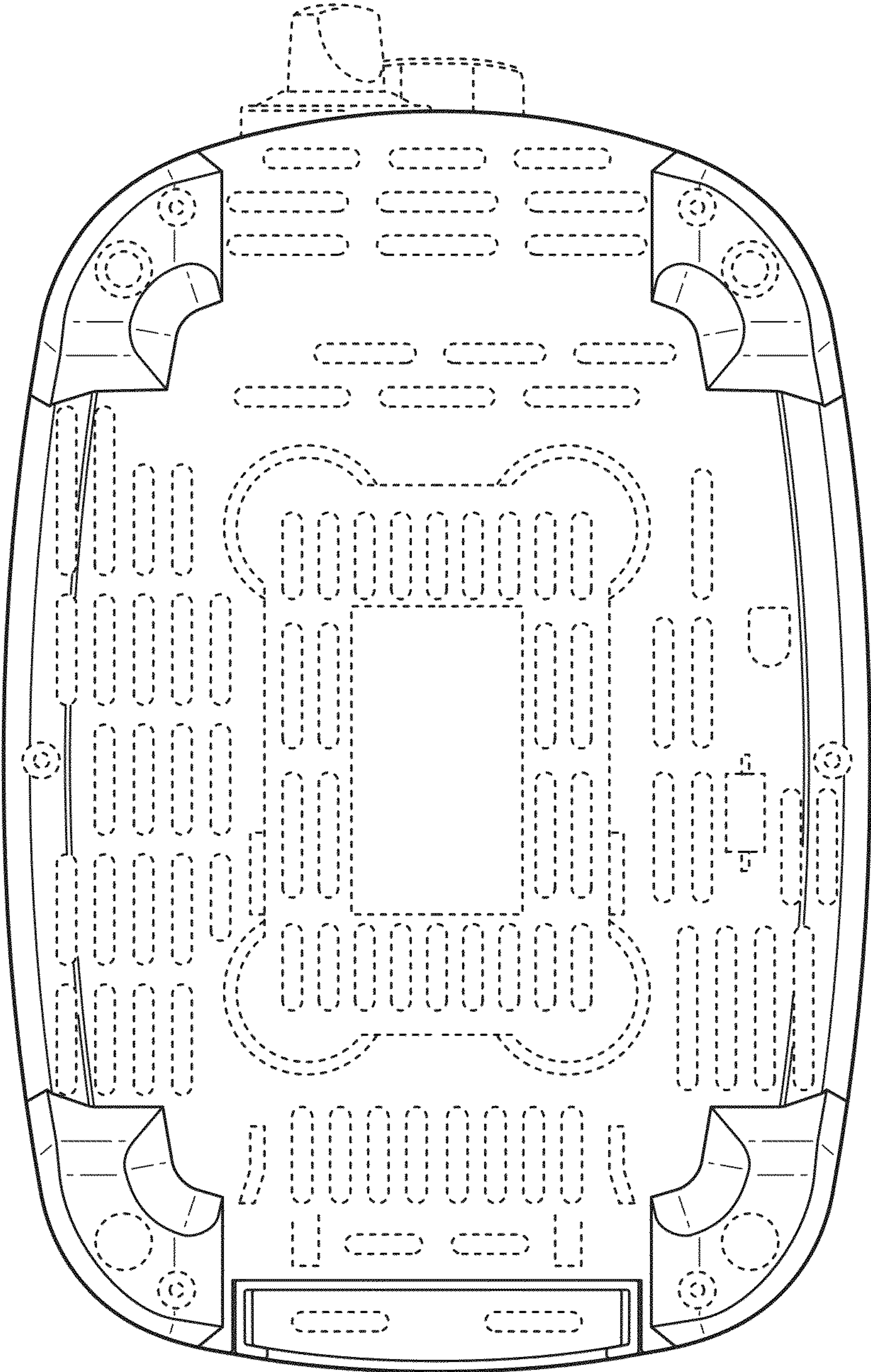


FIG. 7