



US00D688507S

(12) **United States Design Patent**
Hill

(10) **Patent No.:** **US D688,507 S**

(45) **Date of Patent:** **** Aug. 27, 2013**

(54) **COOKER**

(75) Inventor: **Gavin Hill**, Epping (AU)

(73) Assignee: **Garth Australia Pty Ltd**, Melbourne (AU)

(**) Term: **14 Years**

(21) Appl. No.: **29/414,816**

(22) Filed: **Mar. 5, 2012**

(30) **Foreign Application Priority Data**

Dec. 19, 2011 (AU) 15862/2011

(51) **LOC (9) Cl.** **07-02**

(52) **U.S. Cl.**
USPC **D7/323; D7/348**

(58) **Field of Classification Search**
USPC D7/323, 332, 333, 334-337, 339-349,
D7/402, 403, 404, 408, 409; D23/332, 335,
D23/342, 343, 346; 126/1 R, 25 A, 25 R,
126/58, 59, 59.5, 79, 307 R, 275 R; 99/324,
99/331, 339, 340-344, 352, 357, 419, 421 H,
99/467, 481, 482, 473, 484, 396; 219/391-399,
219/385, 386, 200; 426/233, 235; 432/200,
432/201; 312/312

See application file for complete search history.

(56) **References Cited**

U.S. PATENT DOCUMENTS

132,143 A * 10/1872 Deardorff 126/59.5
652,531 A * 6/1900 Carlson 99/482

D64,340 S * 4/1924 Booch D23/346
1,492,892 A * 5/1924 Muse 432/201
2,004,024 A * 6/1935 Van Voorst, Jr. 126/41 D
D119,847 S * 4/1940 Lewis D7/348
2,789,877 A * 4/1957 Pfundt 312/312
3,019,720 A * 2/1962 Topper 99/339
3,644,124 A * 2/1972 Bedsole 426/233
3,699,876 A * 10/1972 Ellis 99/396
D267,769 S * 2/1983 Pope D7/332
D280,967 S * 10/1985 Wrighton D7/348
D286,812 S * 11/1986 Rennels D23/346
D307,314 S * 4/1990 Berlaimont D23/346
D308,246 S * 5/1990 Syme et al. D23/346
5,713,267 A * 2/1998 Wilson 99/482
D547,111 S * 7/2007 Loyd D7/348

* cited by examiner

Primary Examiner — Caron D Veynar

Assistant Examiner — Martie K Holtje

(74) *Attorney, Agent, or Firm* — Richard M. Goldberg

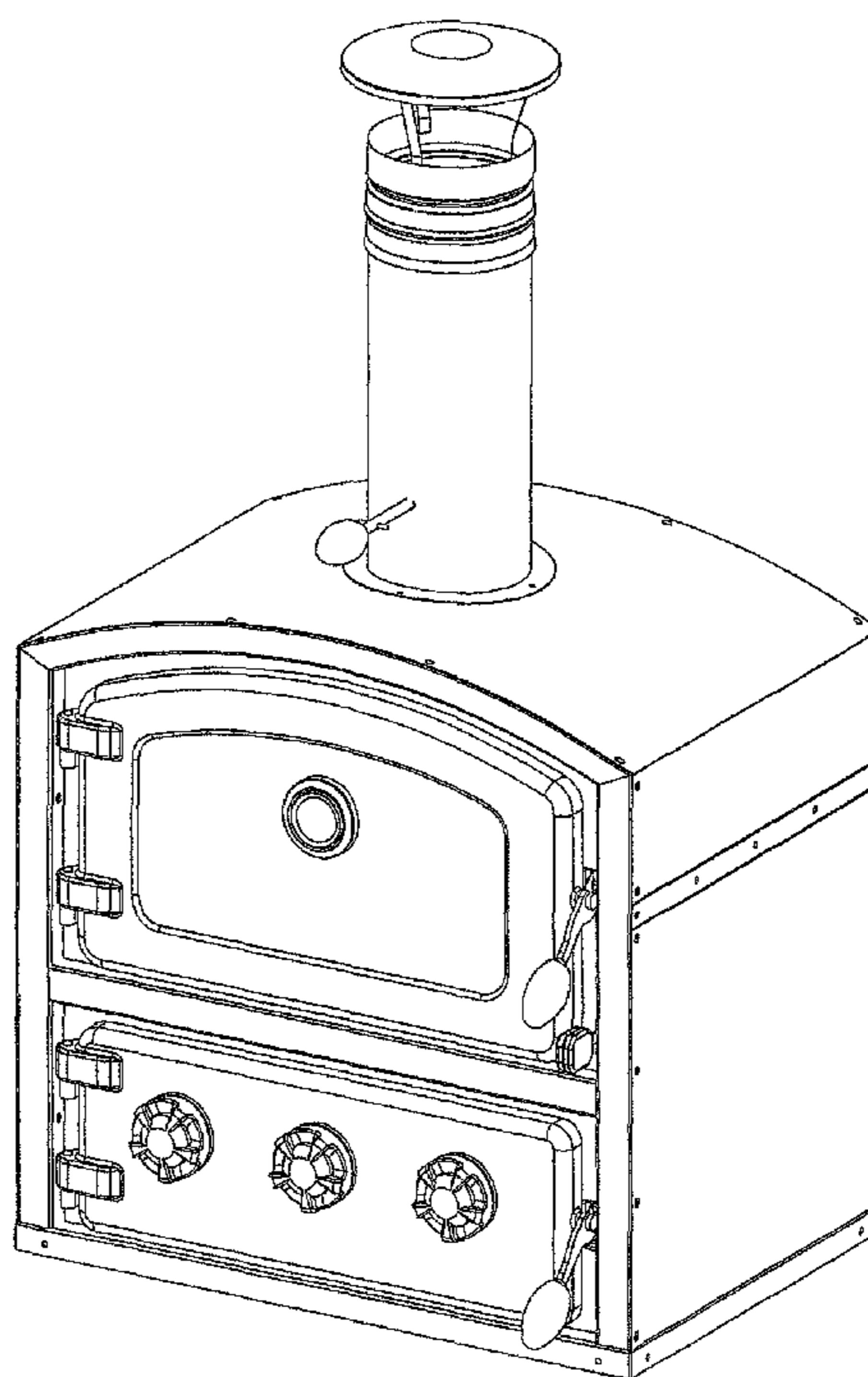
(57) **CLAIM**

The ornamental design for a cooker, as shown and described.

DESCRIPTION

FIG. 1 is a top, right front perspective view of a cooker showing my new design;
FIG. 2 is a front elevational view thereof;
FIG. 3 is a rear elevational view thereof;
FIG. 4 is a left side elevational view thereof;
FIG. 5 is a right side elevational view thereof; and,
FIG. 6 is a top plan view thereof.

1 Claim, 6 Drawing Sheets



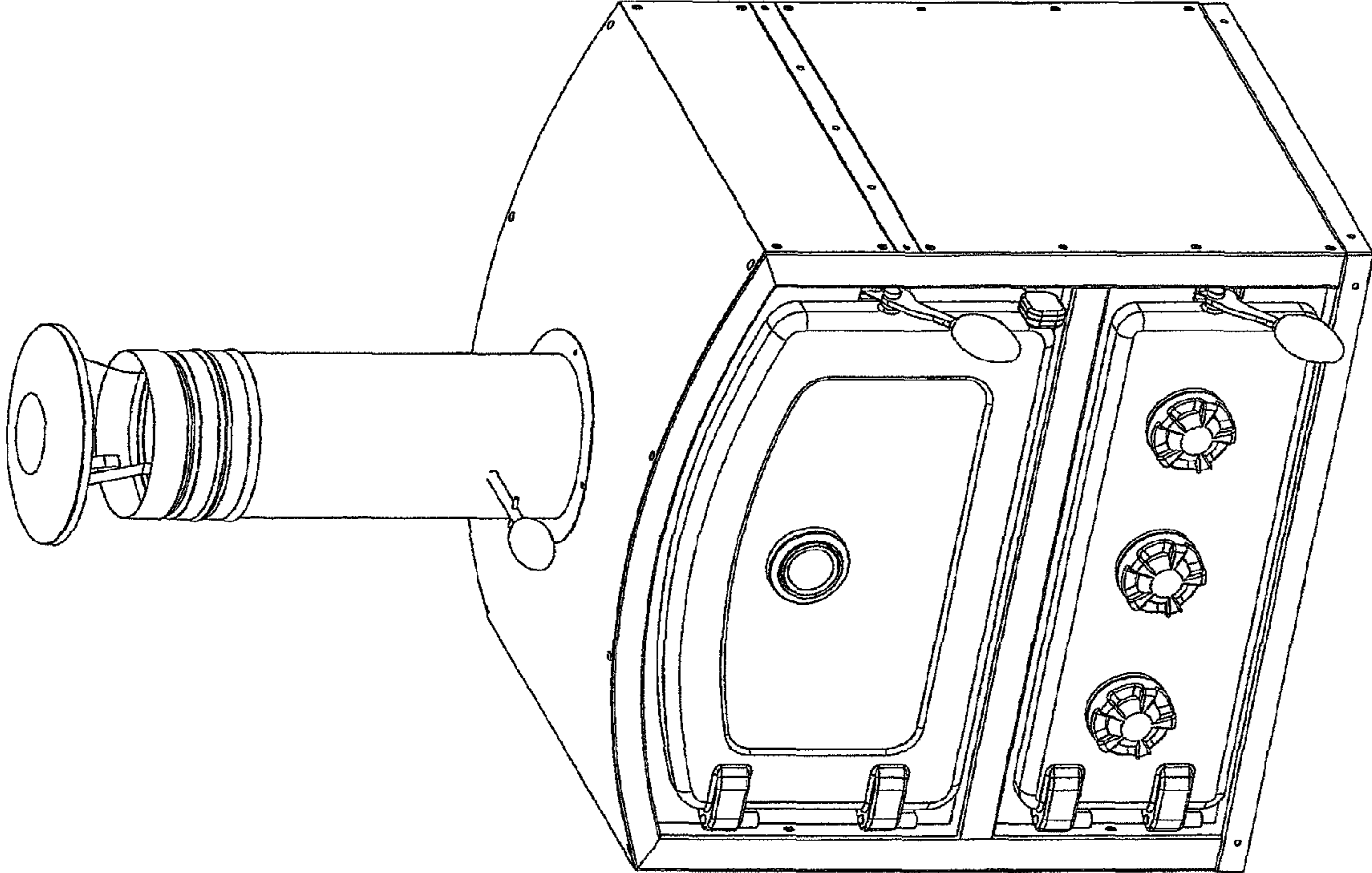


FIG. 1

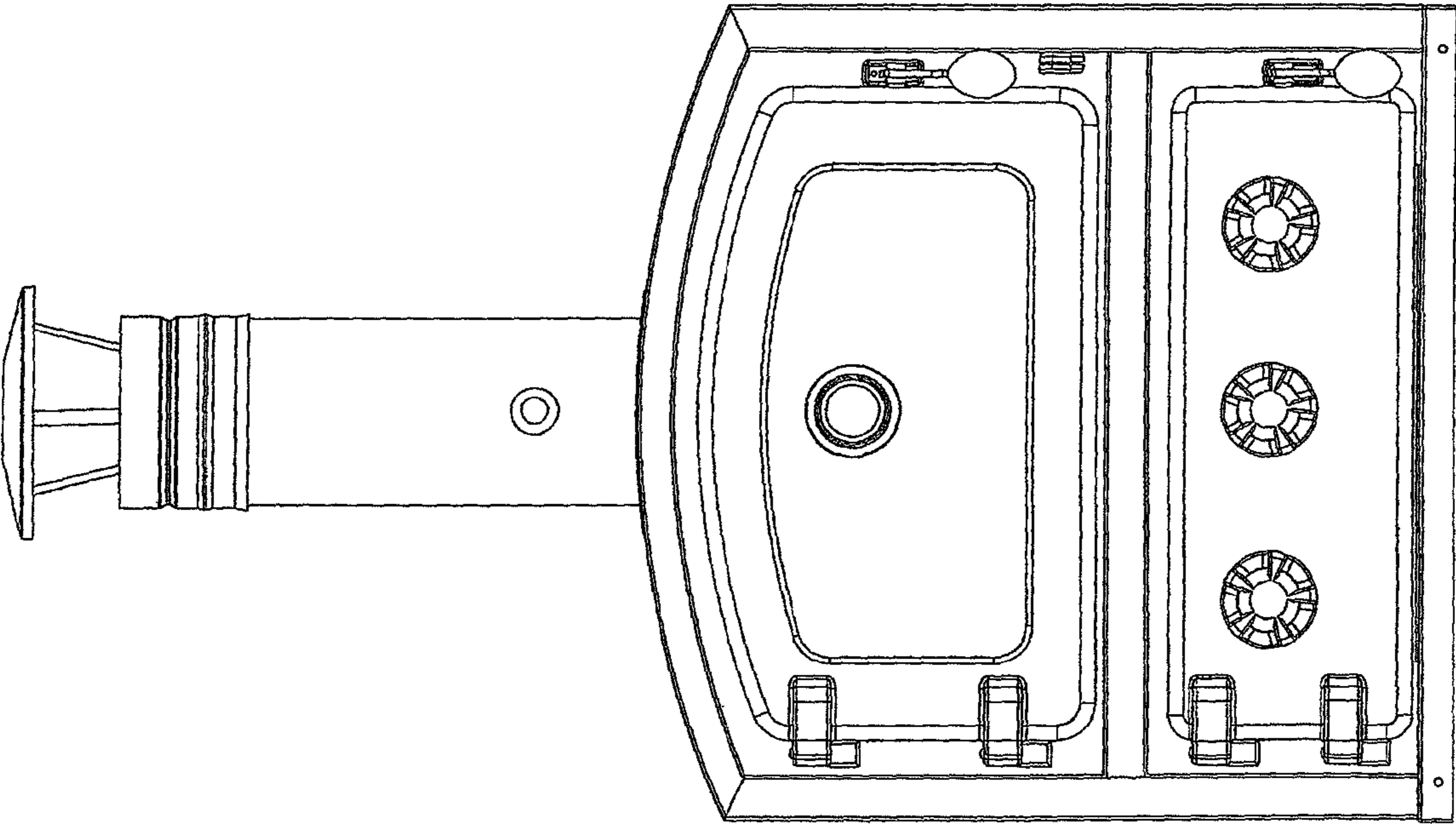


FIG. 2

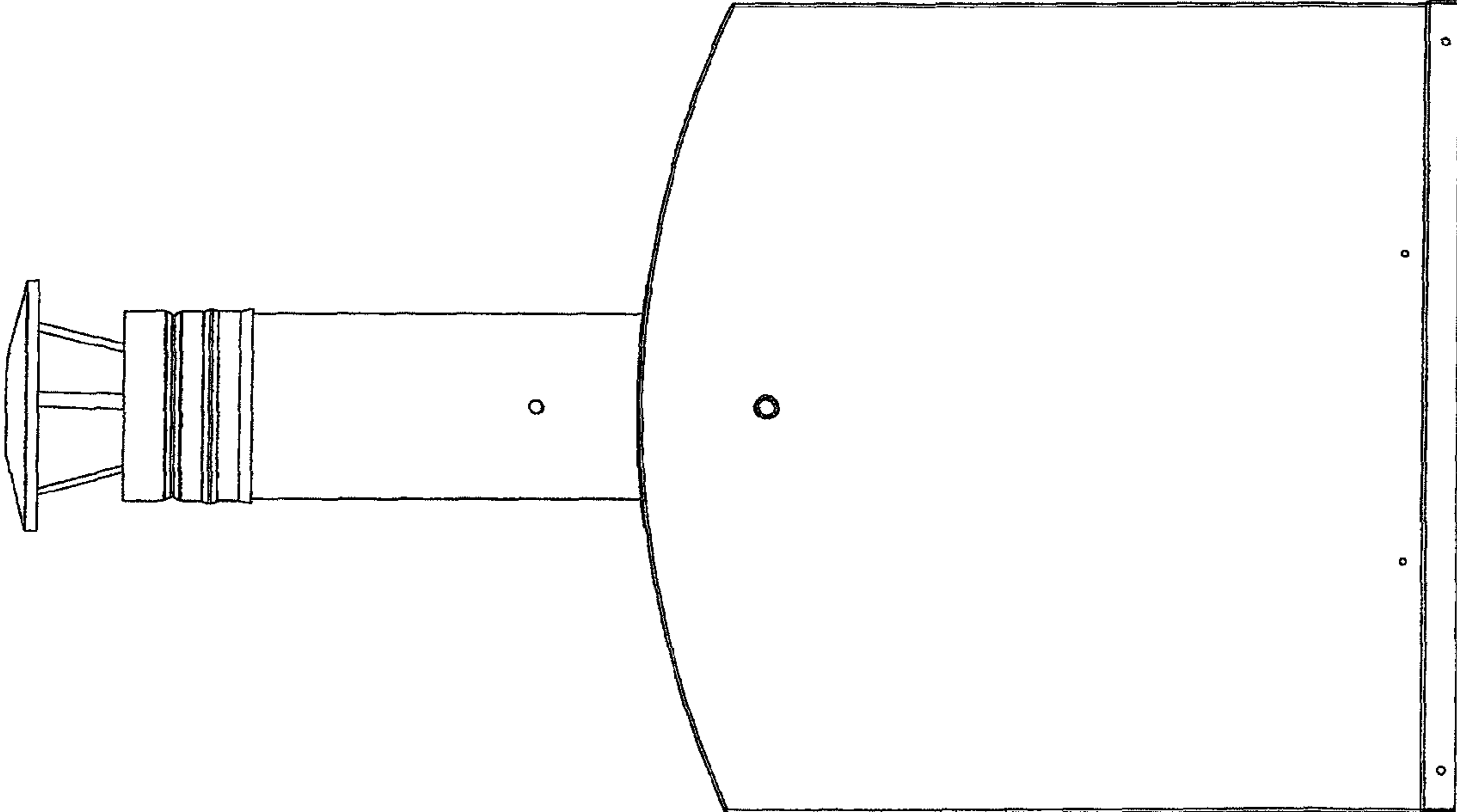


FIG. 3

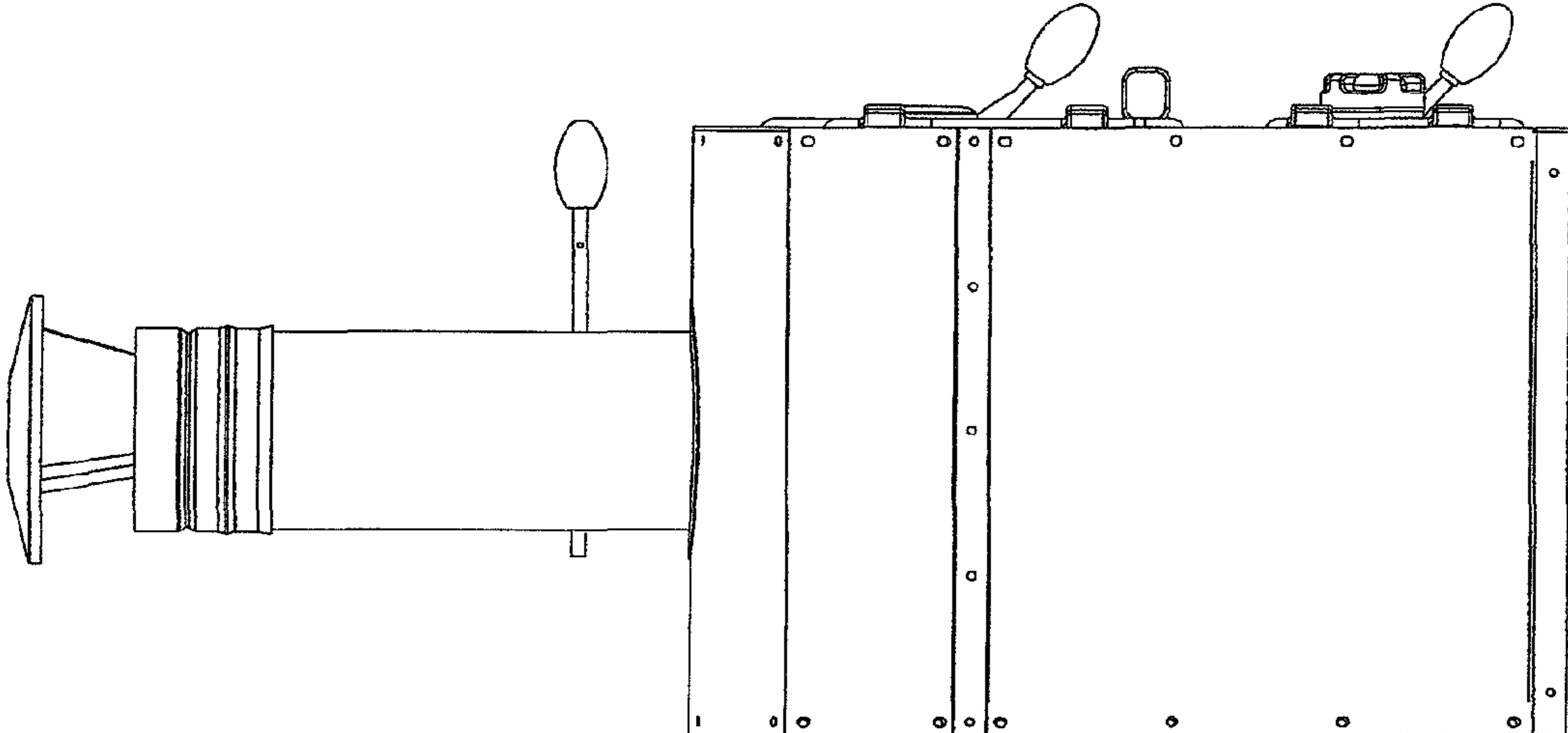


FIG. 4

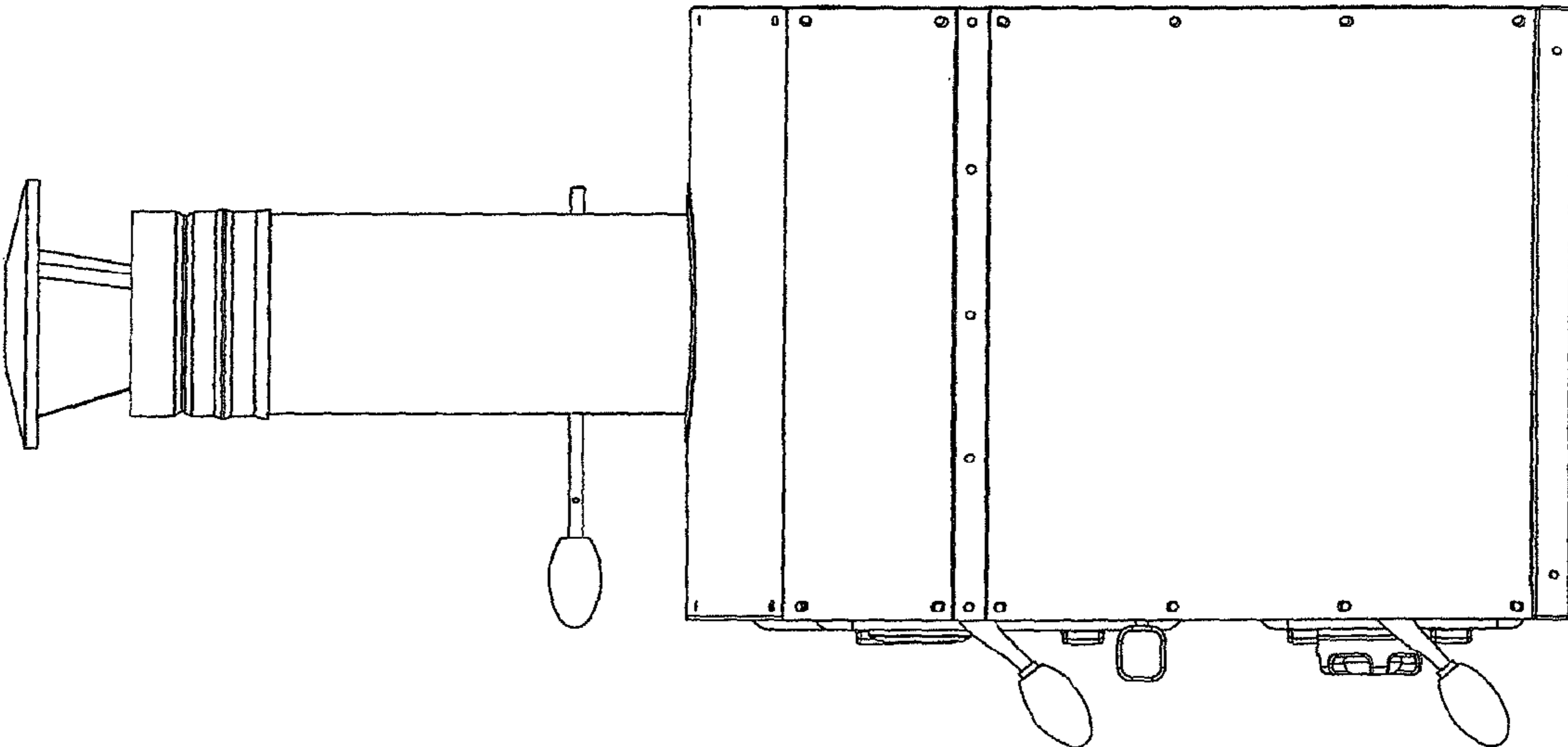


FIG. 5

FIG. 6

