



US00D688505S

(12) **United States Design Patent**
Smith et al.

(10) **Patent No.:** **US D688,505 S**
(45) **Date of Patent:** **** Aug. 27, 2013**

(54) **CHAIR**

(71) Applicant: **Steelcase Inc.**, Grand Rapids, MI (US)

(72) Inventors: **Bruce M. Smith**, East Grand Rapids, MI (US); **Glen Oliver Low**, Hamburg (DE); **James N. Ludwig**, East Grand Rapids, MI (US); **Robert J. Battey**, Middleville, MI (US); **Gordon Jay Peterson**, Rockford, MI (US)

(73) Assignee: **Steelcase Inc.**, Grand Rapids, MI (US)

(**) Term: **14 Years**

(21) Appl. No.: **29/445,974**

(22) Filed: **Feb. 19, 2013**

Related U.S. Application Data

(63) Continuation of application No. 29/432,766, filed on Sep. 20, 2012.

(51) **LOC (9) Cl.** **06-01**

(52) **U.S. Cl.**
USPC **D6/716.4**

(58) **Field of Classification Search**
USPC D6/334-336, 364, 365, 366, 367, D6/374, 376, 379, 380, 716, 716.1, 716.2, D6/716.3, 716.4; 297/284.4, 298, 411.27, 297/452.21, 452.29, 452.3, 452.32, 452.34, 297/452.48

See application file for complete search history.

(56) **References Cited**

U.S. PATENT DOCUMENTS

5,725,276 A 3/1998 Ginat
5,772,282 A 6/1998 Stumpf et al.
5,871,258 A 2/1999 Battey et al.
5,975,634 A 11/1999 Knoblock et al.
6,035,901 A 3/2000 Stumpf et al.

6,059,368 A 5/2000 Stumpf et al.
6,079,785 A 6/2000 Peterson et al.
6,125,521 A 10/2000 Stumpf et al.
6,220,661 B1 4/2001 Peterson
6,364,415 B1 4/2002 Mori et al.
6,382,719 B1 5/2002 Heidemann et al.
6,386,634 B1 5/2002 Stumpf et al.
6,394,546 B1 5/2002 Knoblock et al.
6,394,548 B1 5/2002 Battey et al.
6,394,549 B1 5/2002 DeKraker et al.
6,460,932 B1 10/2002 Kopish et al.
6,471,294 B1 10/2002 Dammermann et al.

(Continued)

FOREIGN PATENT DOCUMENTS

EP 2233043 9/2010

OTHER PUBLICATIONS

Haworth X99 Chair Brochure.
Werndl #1 Brochure.

(Continued)

Primary Examiner — Mimoso De

(74) *Attorney, Agent, or Firm* — Price Heneveld LLP

(57) **CLAIM**

We claim the ornamental design for the chair, as shown and described.

DESCRIPTION

FIG. 1 is a perspective view of a chair embodying the present invention;

FIG. 2 is a front view of the chair;

FIG. 3 is a first side view of the chair;

FIG. 4 is a second side view of the chair;

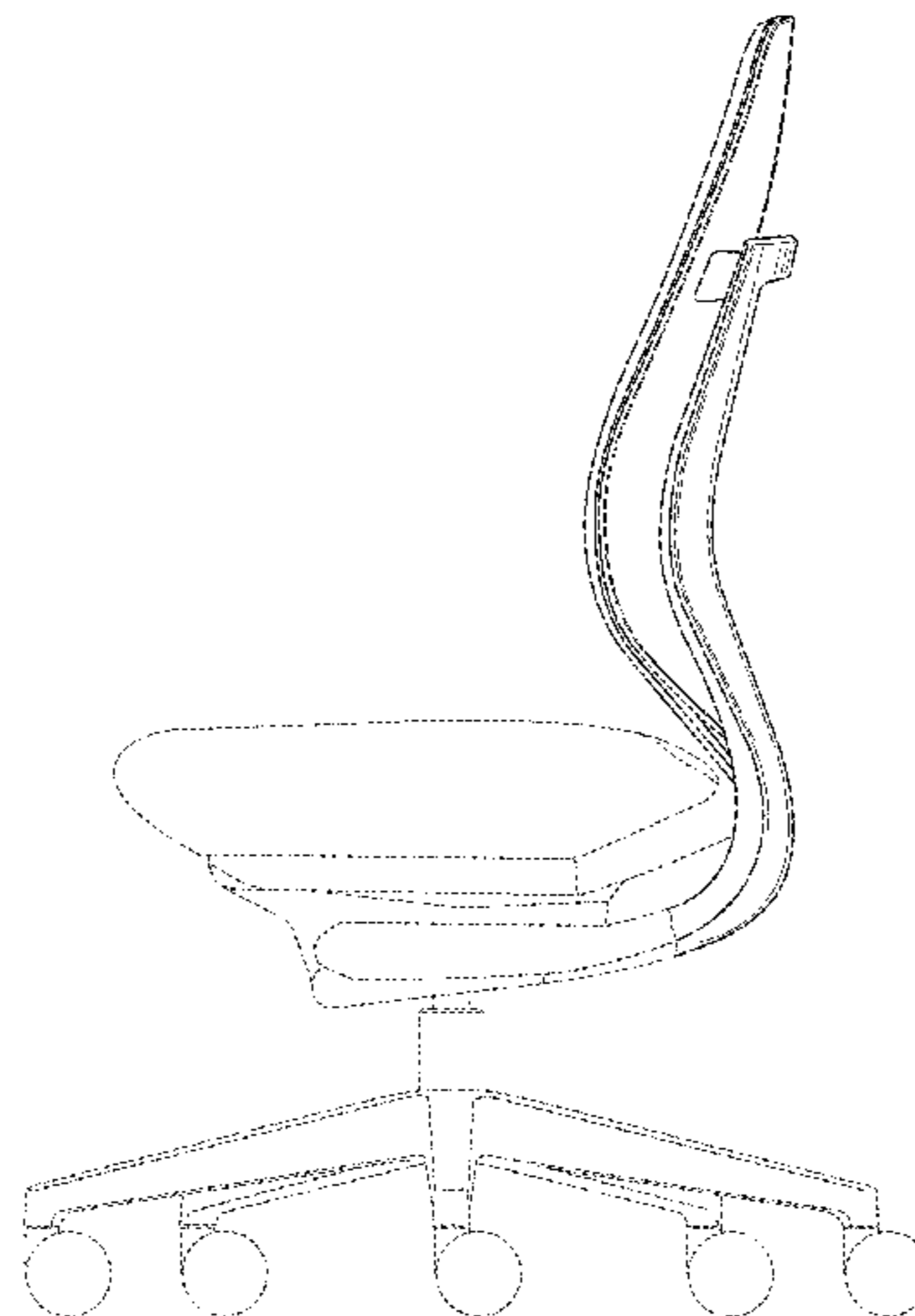
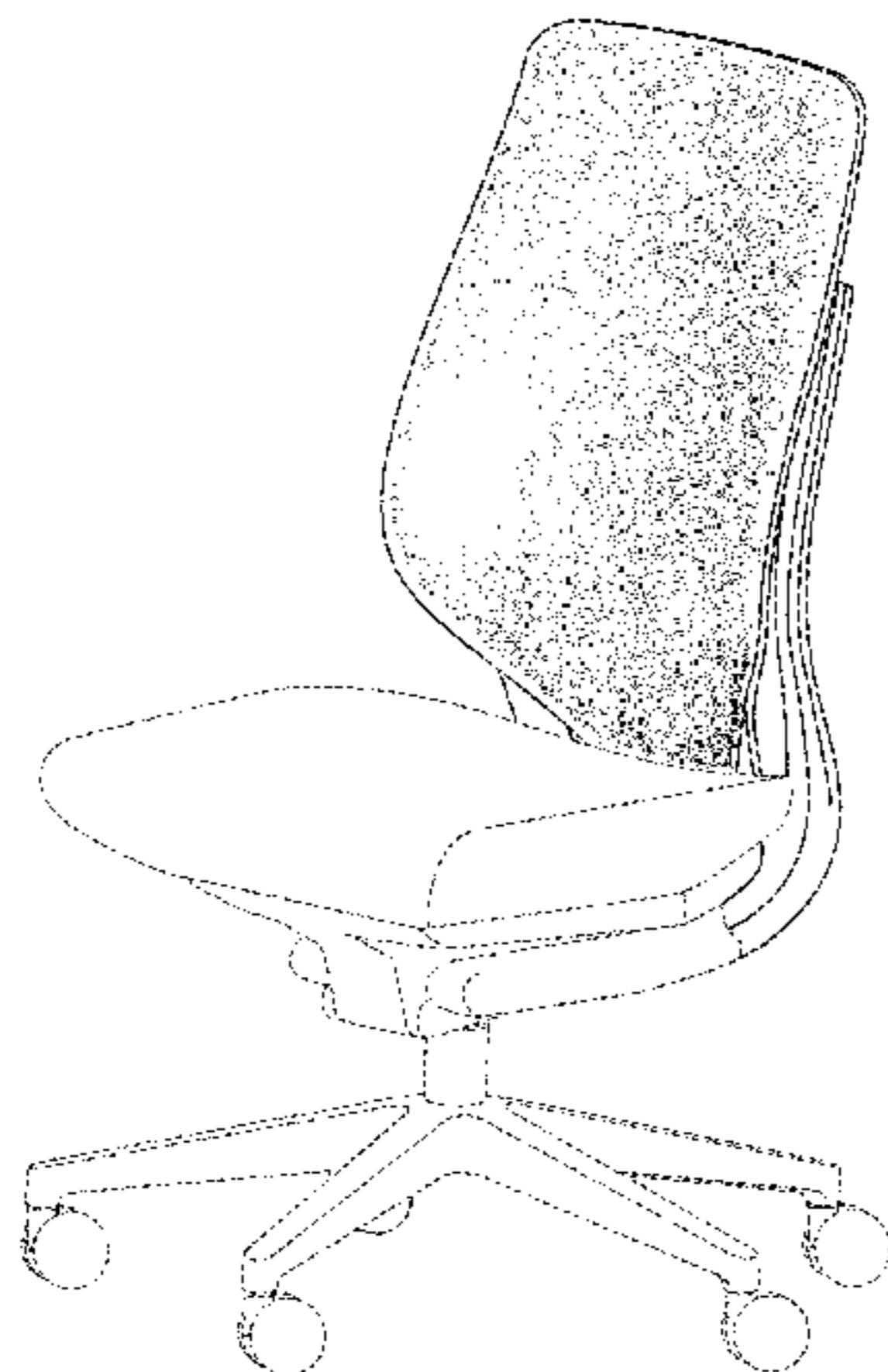
FIG. 5 is a rear view of the chair;

FIG. 6 is a top view of the chair; and,

FIG. 7 is a bottom view of the chair.

The dashed lines within the figures are shown for illustrative purposes only and form no part of the claimed invention.

1 Claim, 7 Drawing Sheets



(56)

References Cited

U.S. PATENT DOCUMENTS

6,499,801 B1 12/2002 Peterson et al.
 6,508,509 B2 1/2003 Peterson
 6,572,190 B2 6/2003 Koepke et al.
 6,588,842 B2 7/2003 Stumpf et al.
 6,609,755 B2 8/2003 Koepke et al.
 6,616,228 B2 9/2003 Heidmann
 6,644,749 B2 11/2003 Vanderiet et al.
 6,669,292 B2 12/2003 Koepke et al.
 6,688,690 B2 2/2004 Watson et al.
 6,702,390 B2 3/2004 Stumpf et al.
 6,709,060 B1 3/2004 Su
 6,722,741 B2 4/2004 Stumpf et al.
 6,726,278 B1 4/2004 Albright et al.
 6,726,286 B2 4/2004 Stumpf et al.
 6,729,691 B2 5/2004 Koepke et al.
 6,733,080 B2 5/2004 Stumpf et al.
 6,758,523 B2 7/2004 Vanderiet et al.
 6,837,546 B2 1/2005 Vanderiet et al.
 6,857,704 B2 2/2005 Stenzel et al.
 6,880,215 B2 4/2005 Peterson
 6,913,315 B2 7/2005 Ball et al.
 6,942,300 B2 9/2005 Numa et al.
 6,955,402 B2 10/2005 Vanderiet et al.
 6,966,604 B2 11/2005 Stumpf et al.
 6,983,997 B2 1/2006 Wilkerson et al.
 D517,820 S * 3/2006 Citterio D6/366
 7,014,269 B2 3/2006 Coffield et al.
 7,066,537 B2 6/2006 Coffield et al.
 7,131,700 B2 11/2006 Knoblock et al.
 7,213,880 B2 5/2007 Schmitz et al.
 7,213,886 B2 5/2007 Schmitz et al.
 7,216,936 B2 5/2007 Peterson
 D544,720 S * 6/2007 Berbegal Perez D6/366
 D546,573 S * 7/2007 Klaasen et al. D6/366
 7,249,802 B2 7/2007 Schmitz et al.
 D550,975 S * 9/2007 Meda D6/366
 7,270,378 B2 9/2007 Wilkerson et al.
 7,273,253 B2 9/2007 Deimen et al.
 7,281,764 B2 10/2007 Thole
 D558,998 S * 1/2008 Hara D6/366
 D559,571 S * 1/2008 Meda D6/366
 D567,522 S * 4/2008 Igarashi D6/366
 D567,523 S * 4/2008 Hara D6/366
 D568,625 S * 5/2008 Klaasen et al. D6/366
 7,367,622 B2 5/2008 Roslund et al.

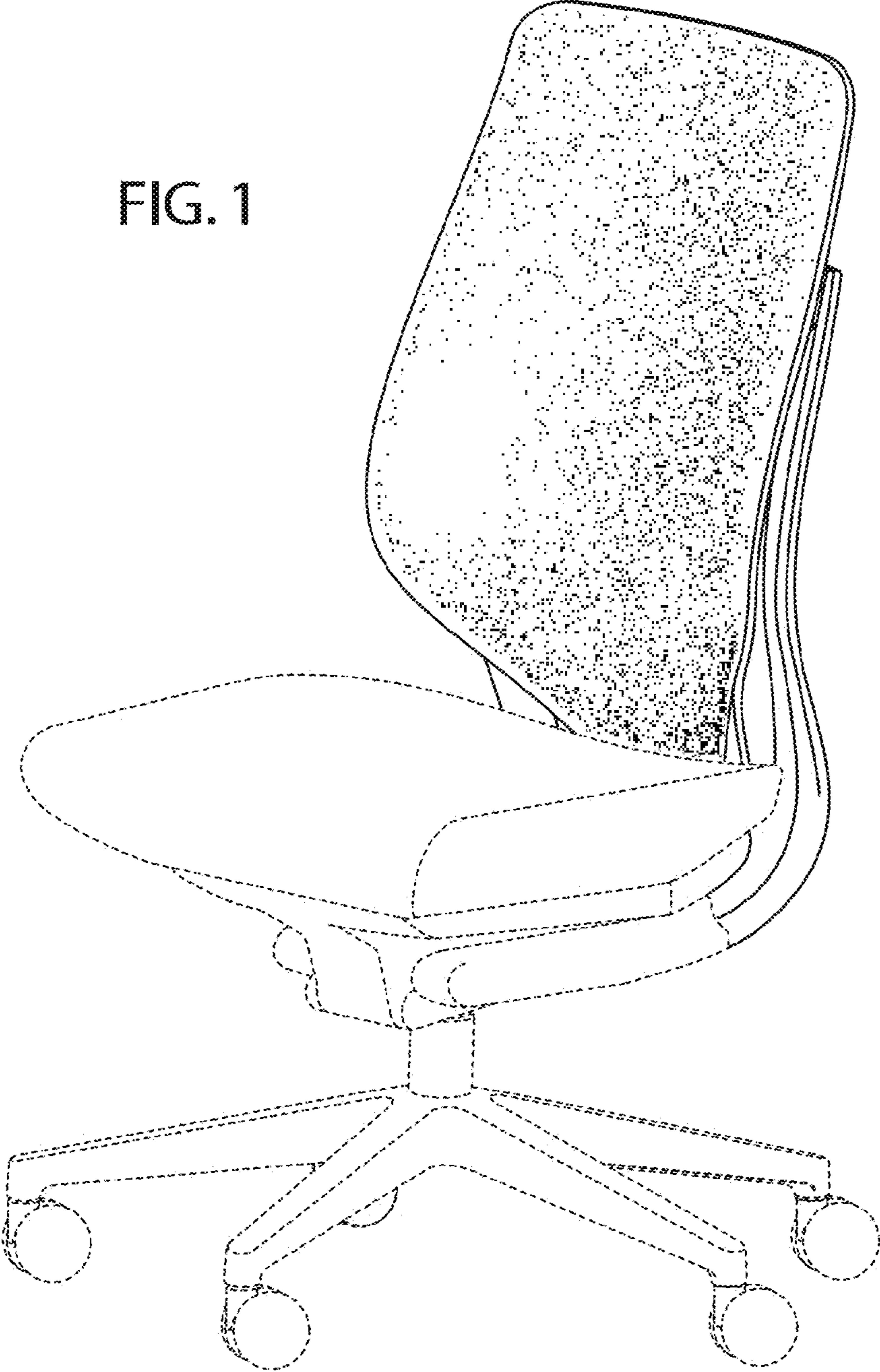
D570,624 S * 6/2008 Kang D6/716
 D571,568 S * 6/2008 Overthun et al. D6/366
 7,419,222 B2 9/2008 Schmitz et al.
 7,425,037 B2 9/2008 Schmitz et al.
 7,425,039 B2 9/2008 Lin
 7,427,105 B2 9/2008 Knoblock et al.
 7,434,879 B2 10/2008 Ueda et al.
 7,500,718 B2 3/2009 Fookes
 7,549,704 B1 6/2009 Chou et al.
 D597,329 S * 8/2009 Tanaka et al. D6/366
 7,594,700 B2 9/2009 Stumpf et al.
 7,604,298 B2 10/2009 Peterson et al.
 7,625,045 B2 12/2009 Hatcher et al.
 D613,087 S * 4/2010 Fujita D6/366
 7,798,573 B2 9/2010 Pennington et al.
 7,806,481 B2 10/2010 Eberlein
 7,832,803 B2 11/2010 Cassaday
 7,837,272 B2 11/2010 Masunaga et al.
 7,841,666 B2 11/2010 Schmitz et al.
 7,857,388 B2 12/2010 Bedford et al.
 7,887,135 B2 2/2011 Oda
 D646,914 S * 10/2011 Gaschy D6/716
 8,029,066 B2 10/2011 Su
 D648,147 S * 11/2011 Izawa D6/366
 D649,795 S * 12/2011 Izawa D6/366
 D654,280 S * 2/2012 Fujita D6/366
 D655,523 S * 3/2012 Neil D6/366
 D656,329 S * 3/2012 Nakamura et al. D6/366
 D679,107 S * 4/2013 Darrow et al. D6/366
 2002/0003368 A1 1/2002 Vanderiet et al.
 2003/0047980 A1 3/2003 Vassallo
 2004/0000805 A1 1/2004 Vanderiet et al.
 2004/0155503 A1 8/2004 Stumpf et al.
 2005/0052061 A1 3/2005 Deimen et al.
 2005/0062323 A1 3/2005 Dicks
 2008/0122284 A1 5/2008 Yang
 2010/0007190 A1 1/2010 Johnson et al.
 2010/0237679 A1 9/2010 Tsukiji et al.
 2010/0244521 A1 * 9/2010 Ueda 297/298
 2010/0276978 A1 11/2010 Furuta et al.
 2011/0012395 A1 1/2011 Roslund et al.
 2011/0198907 A1 8/2011 Masunaga et al.

OTHER PUBLICATIONS

Steelcase Please Chair Brochure.

* cited by examiner

FIG. 1



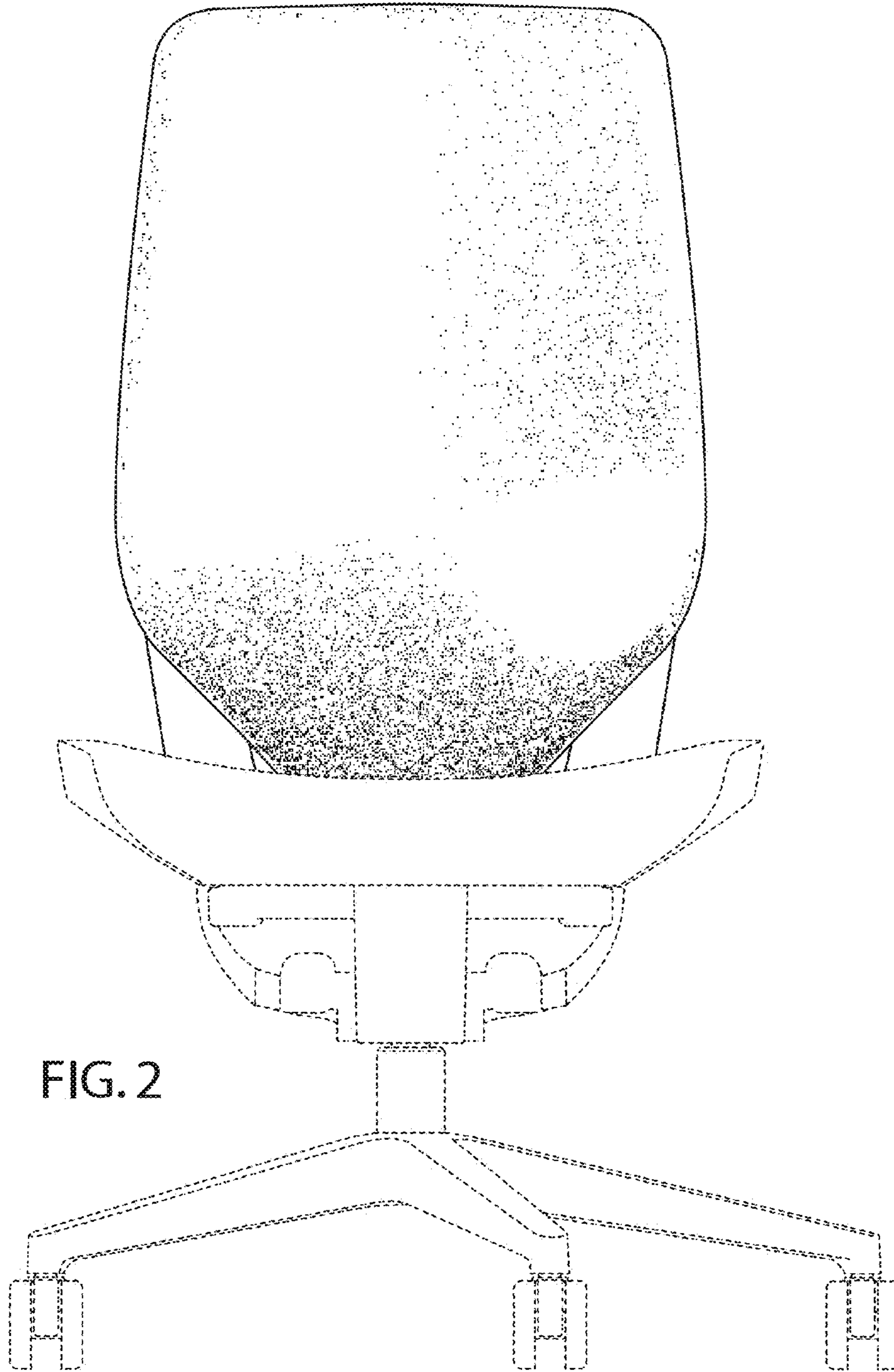
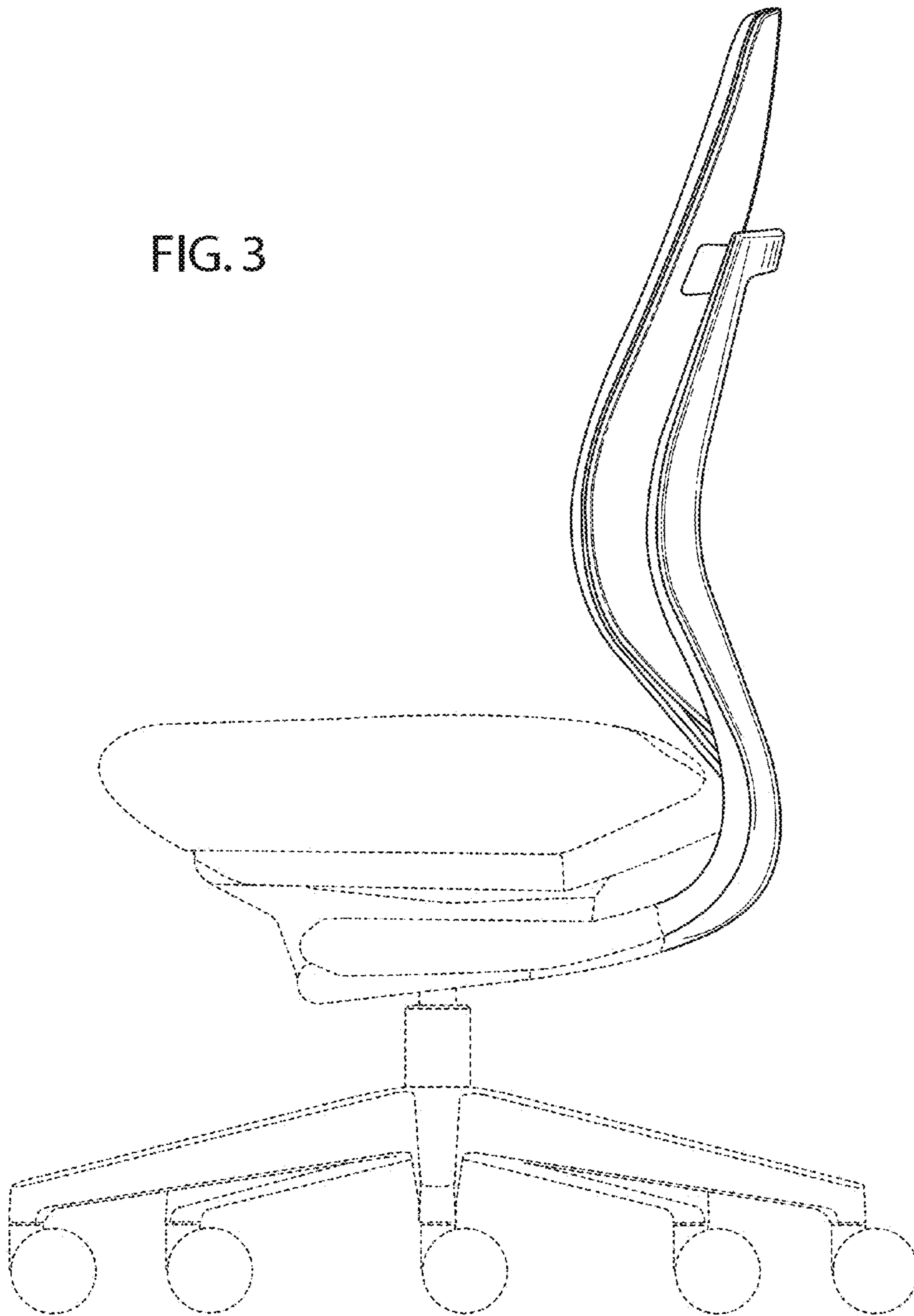


FIG. 3



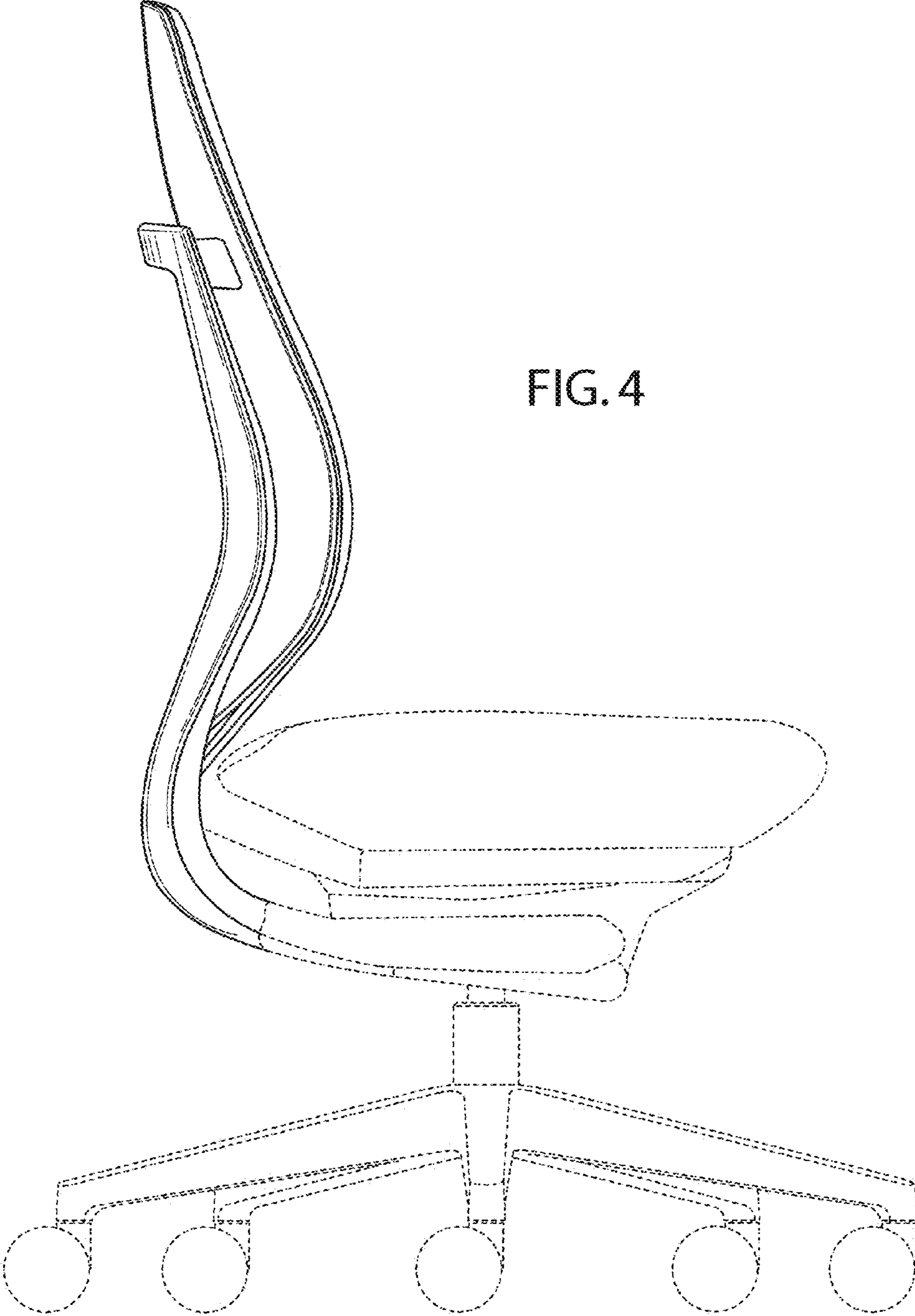


FIG. 4

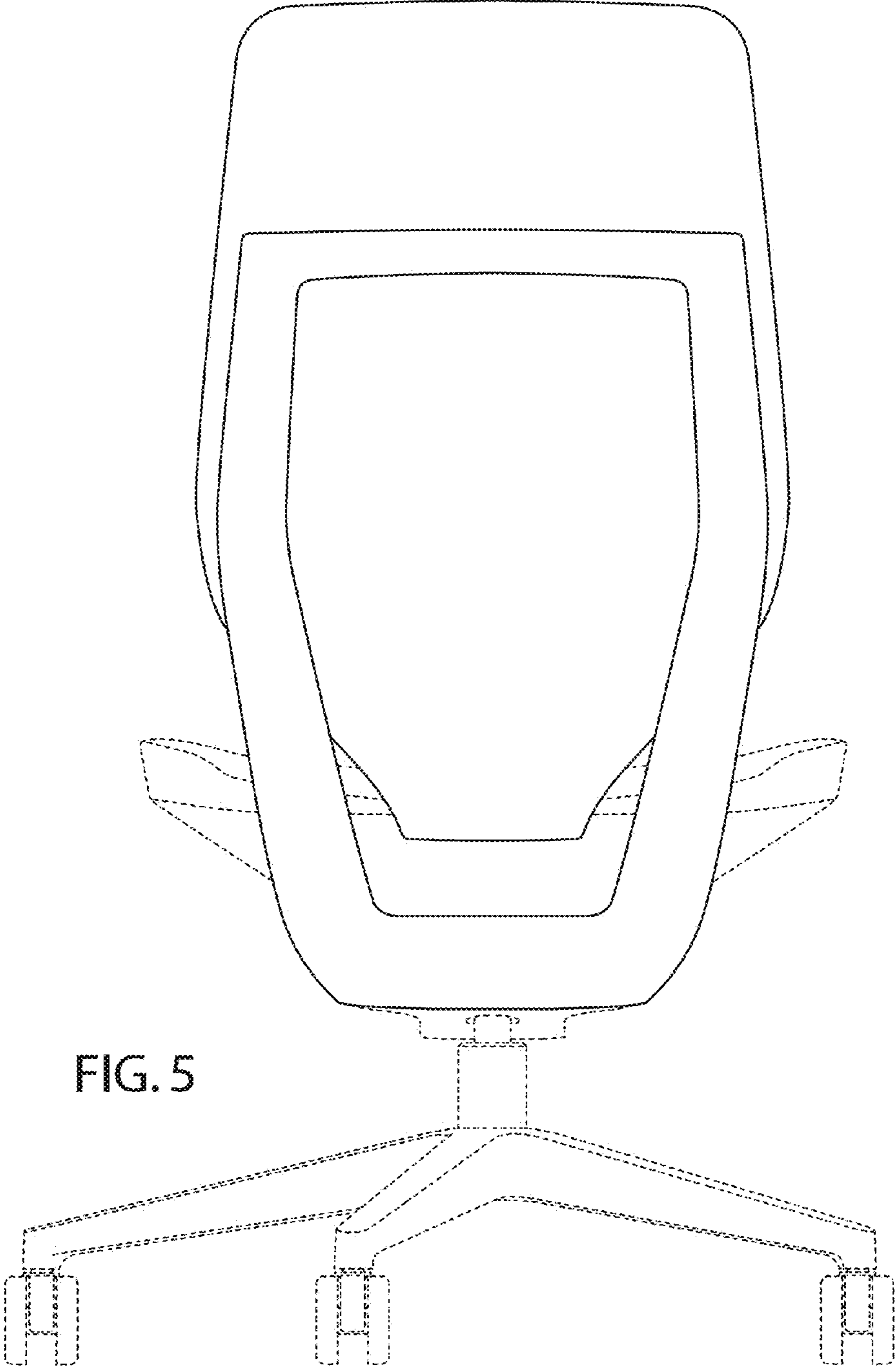


FIG. 5

FIG. 6

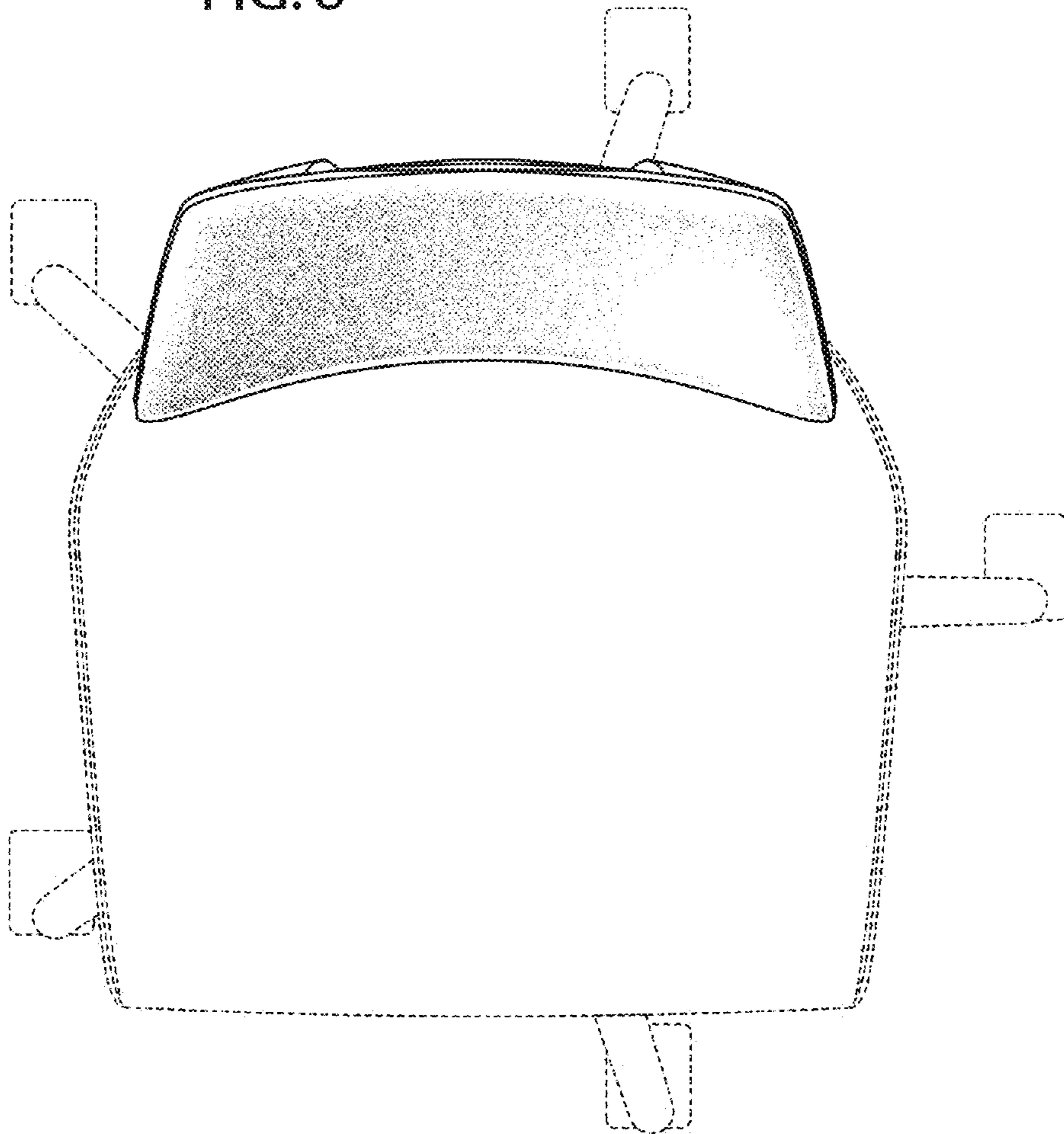


FIG. 7

