



US00D688498S

(12) **United States Design Patent**
Smith et al.

(10) **Patent No.:** **US D688,498 S**

(45) **Date of Patent:** **** Aug. 27, 2013**

(54) **CHAIR**

(71) Applicant: **Steelcase Inc.**, Grand Rapids, MI (US)

(72) Inventors: **Bruce M. Smith**, East Grand Rapids, MI (US); **Glen Oliver Low**, Hamburg (DE); **James N. Ludwig**, East Grand Rapids, MI (US); **Robert J. Batley**, Middleville, MI (US); **Gordon Jay Peterson**, Rockford, MI (US)

(73) Assignee: **Steelcase Inc.**, Grand Rapids, MI (US)

(**) Term: **14 Years**

(21) Appl. No.: **29/445,956**

(22) Filed: **Feb. 19, 2013**

Related U.S. Application Data

(63) Continuation of application No. 29/432,775, filed on Sep. 20, 2012.

(51) **LOC (9) Cl.** **06-01**

(52) **U.S. Cl.**
USPC **D6/716**

(58) **Field of Classification Search**
USPC D6/334-336, 364, 365, 366, 367,
D6/374, 376, 379, 380, 716, 716.1, 716.2,
D6/716.3, 716.4; 297/284.4, 298, 411.27,
297/452.21, 452.29, 452.3, 452.32, 452.34,
297/452.48

See application file for complete search history.

(56) **References Cited**

U.S. PATENT DOCUMENTS

4,711,491 A 12/1987 Ginat
5,725,276 A 3/1998 Ginat
5,772,282 A 6/1998 Stumpf et al.
5,871,258 A 2/1999 Batley et al.
5,975,634 A 11/1999 Knoblock et al.

6,035,901 A 3/2000 Stumpf et al.
6,059,368 A 5/2000 Stumpf et al.
6,079,785 A 6/2000 Peterson et al.
6,125,521 A 10/2000 Stumpf et al.
6,220,661 B1 4/2001 Peterson
6,364,415 B1 4/2002 Mori et al.
6,382,719 B1 5/2002 Heidemann et al.
6,386,634 B1 5/2002 Stumpf et al.
6,394,546 B1 5/2002 Knoblock et al.

(Continued)

FOREIGN PATENT DOCUMENTS

EP 1106428 6/2001
EP 2233043 9/2010

(Continued)

OTHER PUBLICATIONS

Haworth X99 Chair Brochure.

(Continued)

Primary Examiner — Mimoso De

(74) *Attorney, Agent, or Firm* — Price Heneveld LLP

(57) **CLAIM**

We claim the ornamental design for the chair, as shown and described.

DESCRIPTION

FIG. 1 is a perspective view of a chair embodying the present invention;

FIG. 2 is a front view of the chair;

FIG. 3 is a first side view of the chair;

FIG. 4 is a second side view of the chair;

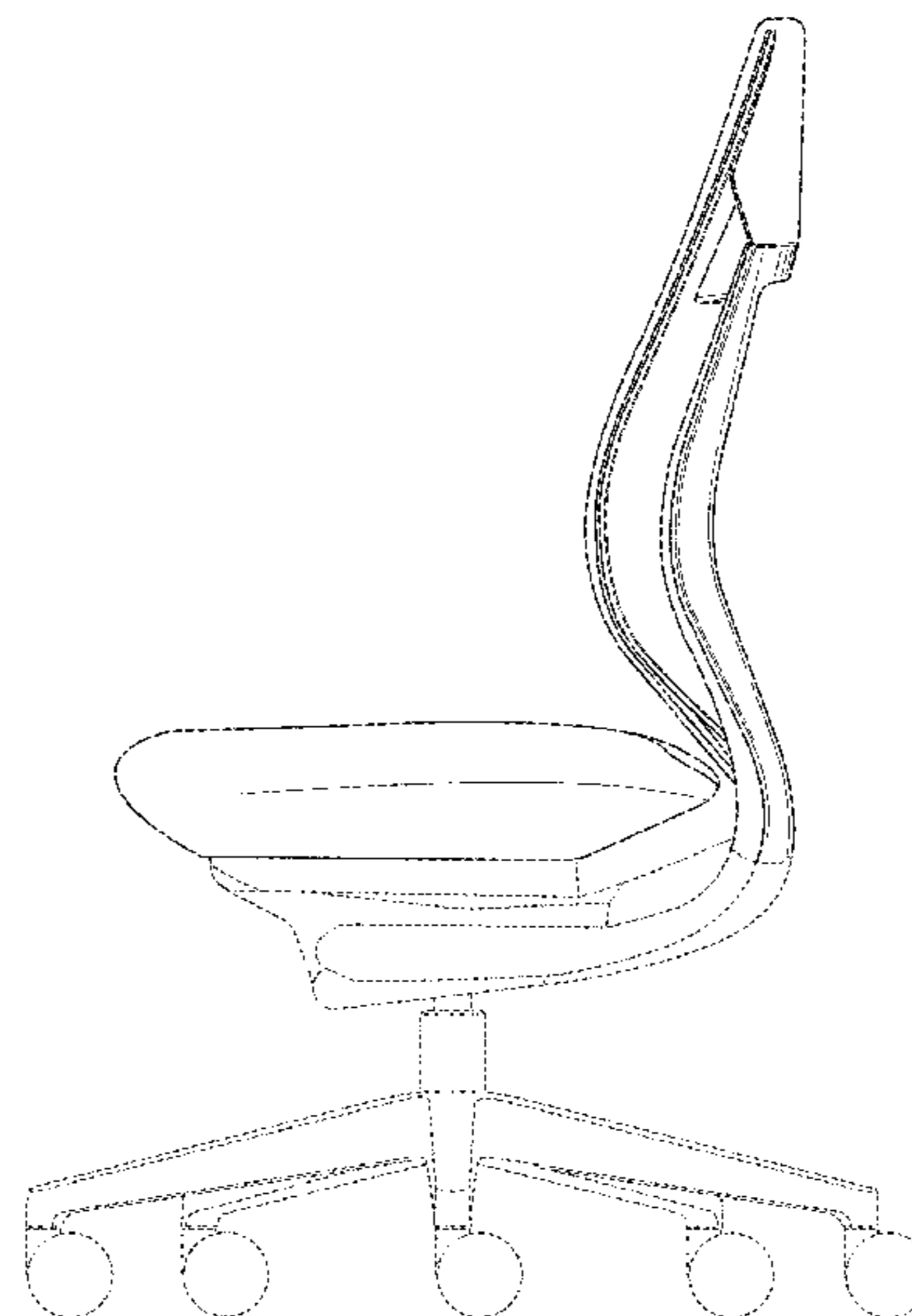
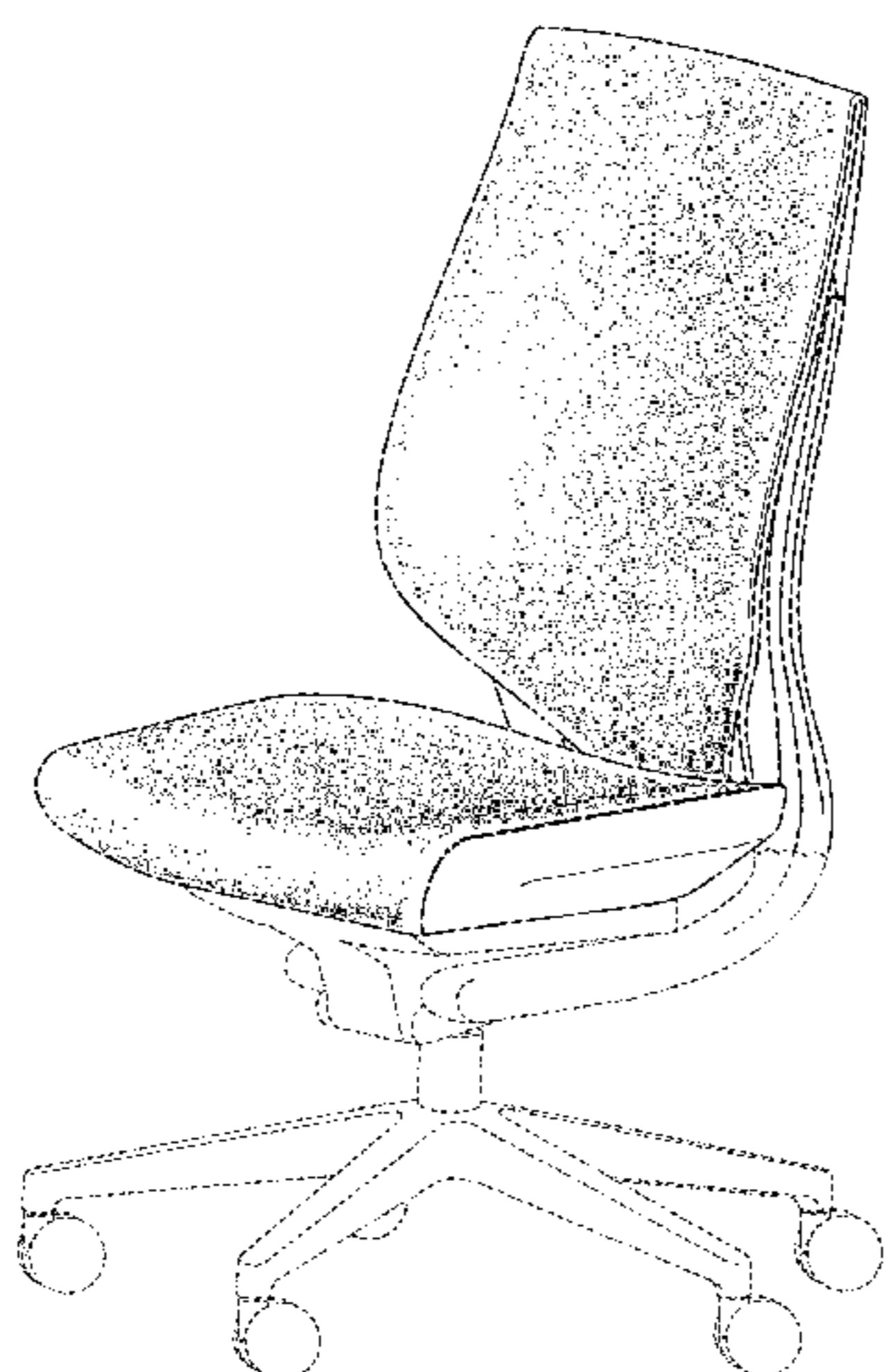
FIG. 5 is a rear view of the chair;

FIG. 6 is a top view of the chair; and,

FIG. 7 is a bottom view of the chair.

The broken lines shown in the drawing are for illustrative purposes only and form no part of the claimed design.

1 Claim, 7 Drawing Sheets



(56)

References Cited

U.S. PATENT DOCUMENTS

6,394,548 B1 5/2002 Battey et al.
 6,394,549 B1 5/2002 Dekraker et al.
 6,460,932 B1 10/2002 Kopish et al.
 6,471,294 B1 10/2002 Dammermann et al.
 6,499,801 B1 12/2002 Peterson et al.
 6,508,509 B2 1/2003 Peterson
 6,572,190 B2 6/2003 Koepke et al.
 6,588,842 B2 7/2003 Stumpf et al.
 6,609,755 B2 8/2003 Koepke et al.
 6,616,228 B2 9/2003 Heidmann
 6,644,749 B2 11/2003 Vanderiet et al.
 6,669,292 B2 12/2003 Koepke et al.
 6,688,690 B2 2/2004 Watson et al.
 6,702,390 B2 3/2004 Stumpf et al.
 6,709,060 B1 3/2004 Su
 6,722,741 B2 4/2004 Stumpf et al.
 6,726,278 B1 4/2004 Albright et al.
 6,726,286 B2 4/2004 Stumpf et al.
 6,729,691 B2 5/2004 Koepke et al.
 6,733,080 B2 5/2004 Stumpf et al.
 6,758,523 B2 7/2004 Vanderiet et al.
 6,837,546 B2 1/2005 Vanderiet et al.
 6,857,704 B2 2/2005 Stenzel et al.
 6,880,215 B2 4/2005 Peterson
 6,913,315 B2 7/2005 Ball et al.
 6,942,300 B2 9/2005 Numa et al.
 6,955,402 B2 10/2005 Vanderiet et al.
 6,966,604 B2 11/2005 Stumpf et al.
 6,983,997 B2 1/2006 Wilkerson et al.
 D517,820 S * 3/2006 Citterio D6/366
 7,014,269 B2 3/2006 Coffield et al.
 7,066,537 B2 6/2006 Coffield et al.
 7,131,700 B2 11/2006 Knoblock et al.
 7,213,880 B2 5/2007 Schmitz et al.
 7,213,886 B2 5/2007 Schmitz et al.
 7,216,936 B2 5/2007 Peterson
 D544,720 S * 6/2007 Berbegal Perez D6/366
 D546,573 S * 7/2007 Klaasen et al. D6/366
 7,249,802 B2 7/2007 Schmitz et al.
 D550,975 S * 9/2007 Meda D6/366
 7,270,378 B2 9/2007 Wilkerson et al.
 7,273,253 B2 9/2007 Deimen et al.
 7,281,764 B2 10/2007 Thole
 D558,998 S * 1/2008 Hara D6/366
 D559,571 S * 1/2008 Meda D6/366
 D567,522 S * 4/2008 Igarashi D6/366
 D567,523 S * 4/2008 Hara D6/366
 D568,625 S * 5/2008 Klaasen et al. D6/366
 7,367,622 B2 5/2008 Roslund et al.
 D570,624 S * 6/2008 Kang D6/716
 D571,568 S * 6/2008 Overthun et al. D6/366

7,419,222 B2 9/2008 Schmitz et al.
 7,425,037 B2 9/2008 Schmitz et al.
 7,425,039 B2 9/2008 Lin
 7,427,105 B2 9/2008 Knoblock et al.
 7,434,879 B2 10/2008 Ueda et al.
 7,500,718 B2 3/2009 Fookes
 7,549,704 B1 6/2009 Chou et al.
 D597,329 S * 8/2009 Tanaka et al. D6/366
 7,594,700 B2 9/2009 Stumpf et al.
 7,604,298 B2 10/2009 Peterson et al.
 7,625,045 B2 12/2009 Hatcher et al.
 D613,087 S * 4/2010 Fujita D6/366
 7,798,573 B2 9/2010 Pennington et al.
 7,806,481 B2 10/2010 Eberlein
 7,832,803 B2 11/2010 Cassaday
 7,837,272 B2 11/2010 Masunaga et al.
 7,841,666 B2 11/2010 Schmitz et al.
 7,857,388 B2 12/2010 Bedford et al.
 7,887,135 B2 2/2011 Oda
 7,922,248 B2 4/2011 Aldrich et al.
 D646,914 S * 10/2011 Gaschy D6/716
 8,029,066 B2 10/2011 Su
 D648,147 S * 11/2011 Izawa D6/366
 D649,795 S * 12/2011 Izawa D6/366
 D654,280 S * 2/2012 Fujita D6/366
 D655,523 S * 3/2012 Neil D6/366
 D656,329 S * 3/2012 Nakamura et al. D6/366
 D679,107 S * 4/2013 Darrow et al. D6/366
 2002/0003368 A1 1/2002 Vanderiet et al.
 2003/0047980 A1 3/2003 Vassallo
 2004/0000805 A1 1/2004 Vanderiet et al.
 2004/0155503 A1 8/2004 Stumpf et al.
 2005/0052061 A1 3/2005 Deimen et al.
 2005/0062323 A1 3/2005 Dicks
 2008/0122284 A1 5/2008 Yang
 2010/0007190 A1 1/2010 Johnson et al.
 2010/0237679 A1 9/2010 Tsukiji et al.
 2010/0244521 A1 * 9/2010 Ueda 297/298
 2010/0276978 A1 11/2010 Furuta et al.
 2011/0012395 A1 1/2011 Roslund et al.
 2011/0198907 A1 8/2011 Masunaga et al.

FOREIGN PATENT DOCUMENTS

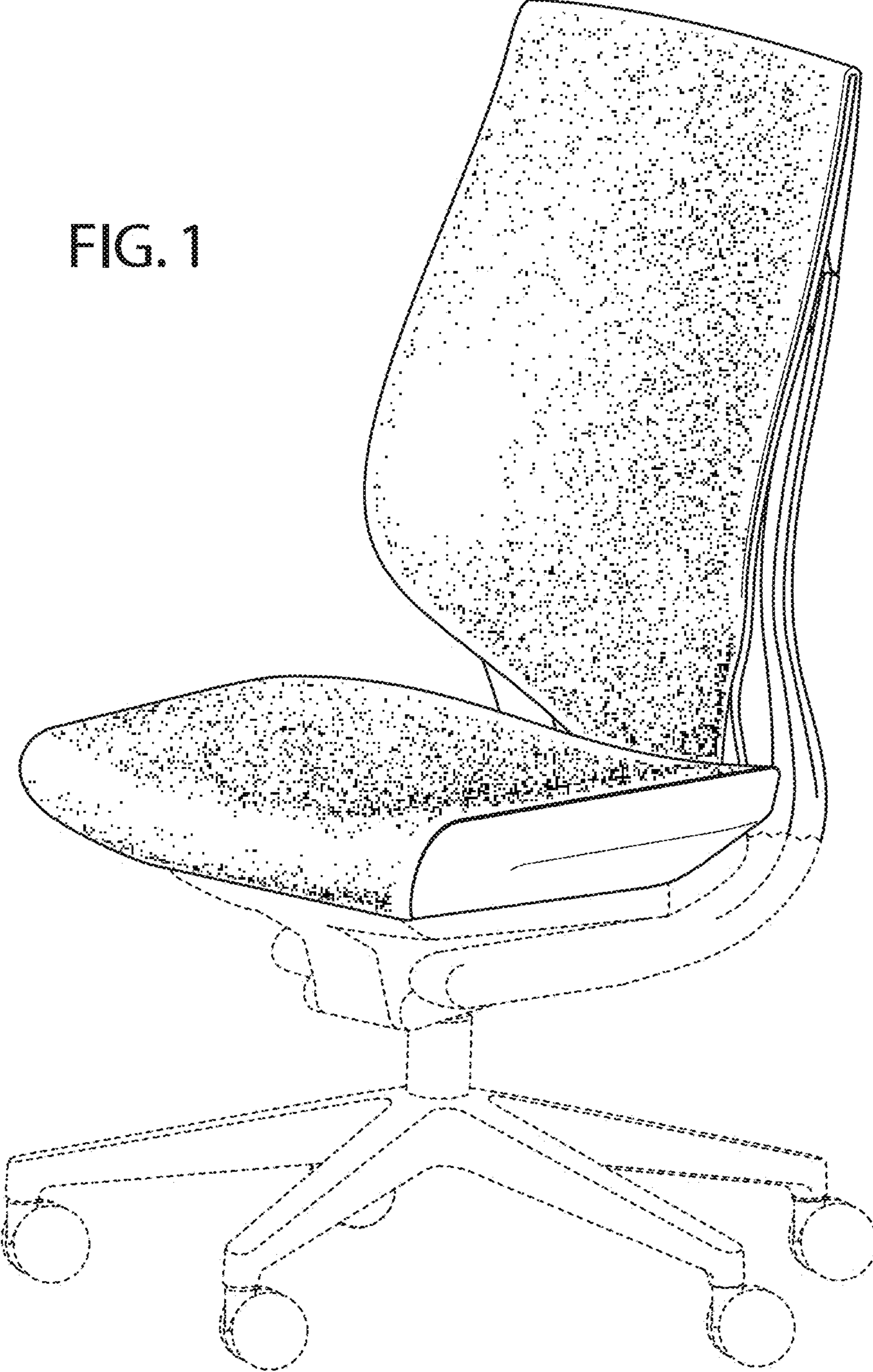
JP 2005168746 6/2005
 JP 2012135490 7/2012
 JP 2012135491 7/2012
 JP 2012135492 7/2012

OTHER PUBLICATIONS

Werndl #1 Brochure.
 Steelcase Please Chair Brochure.

* cited by examiner

FIG. 1



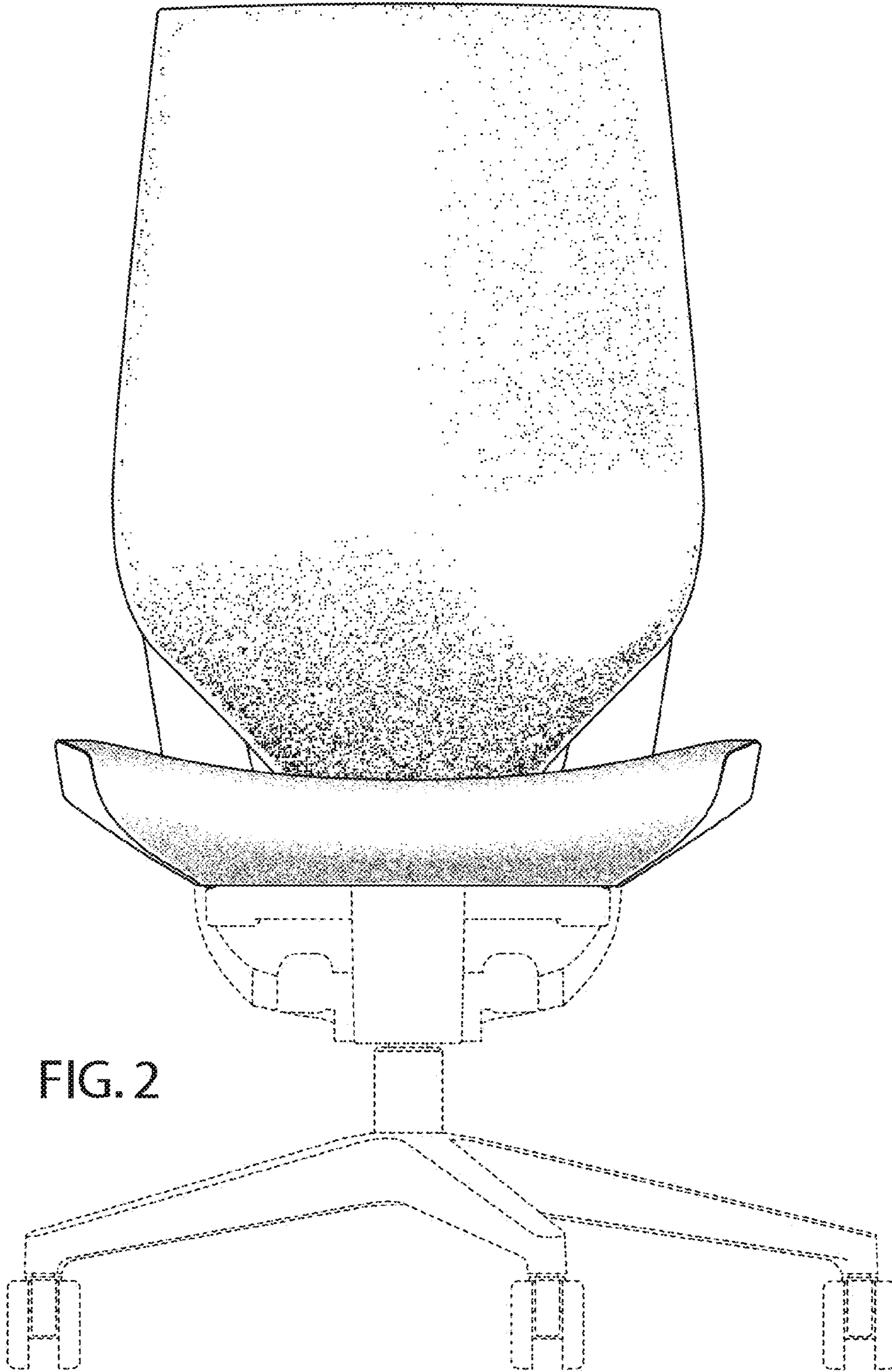
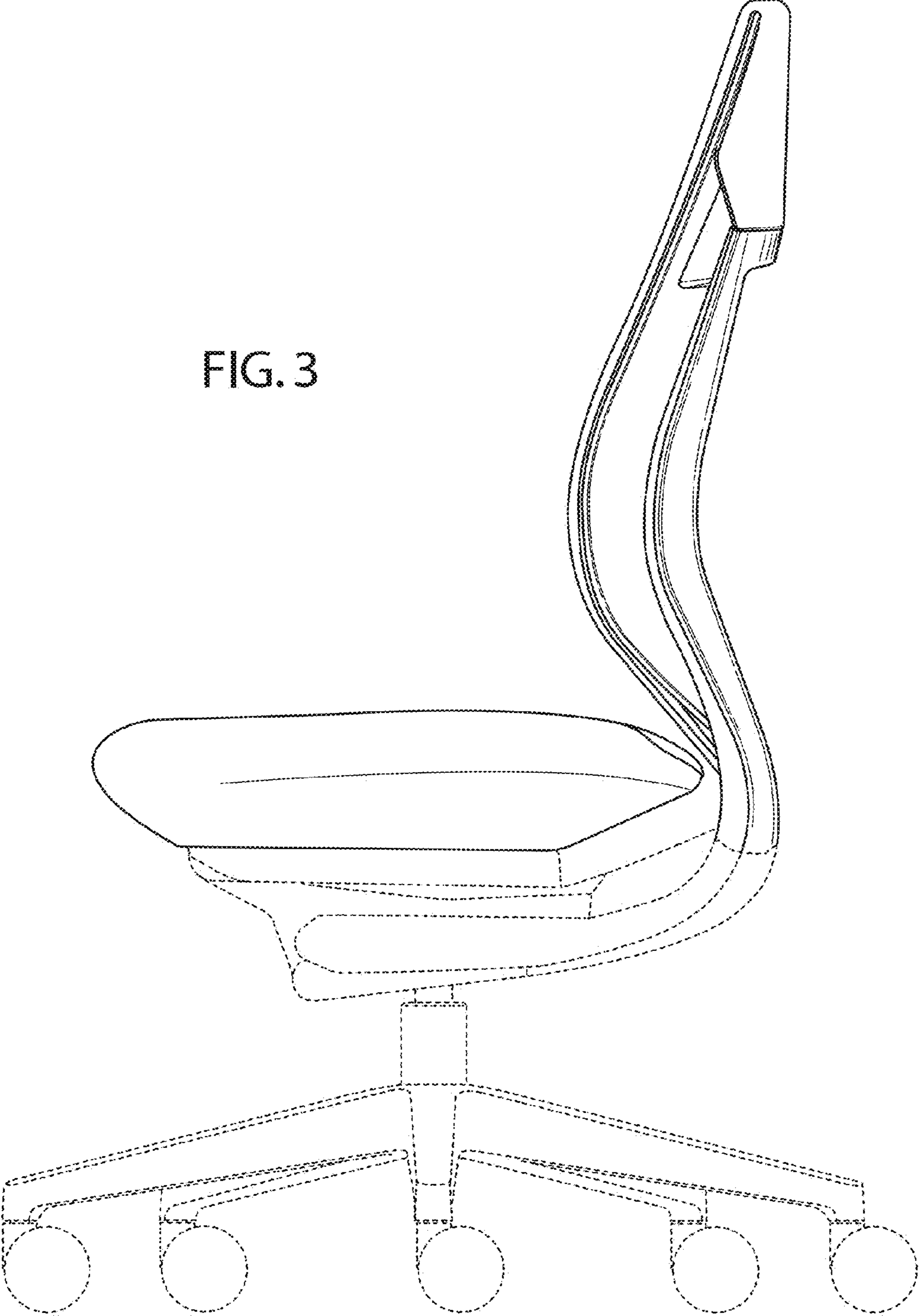


FIG. 3



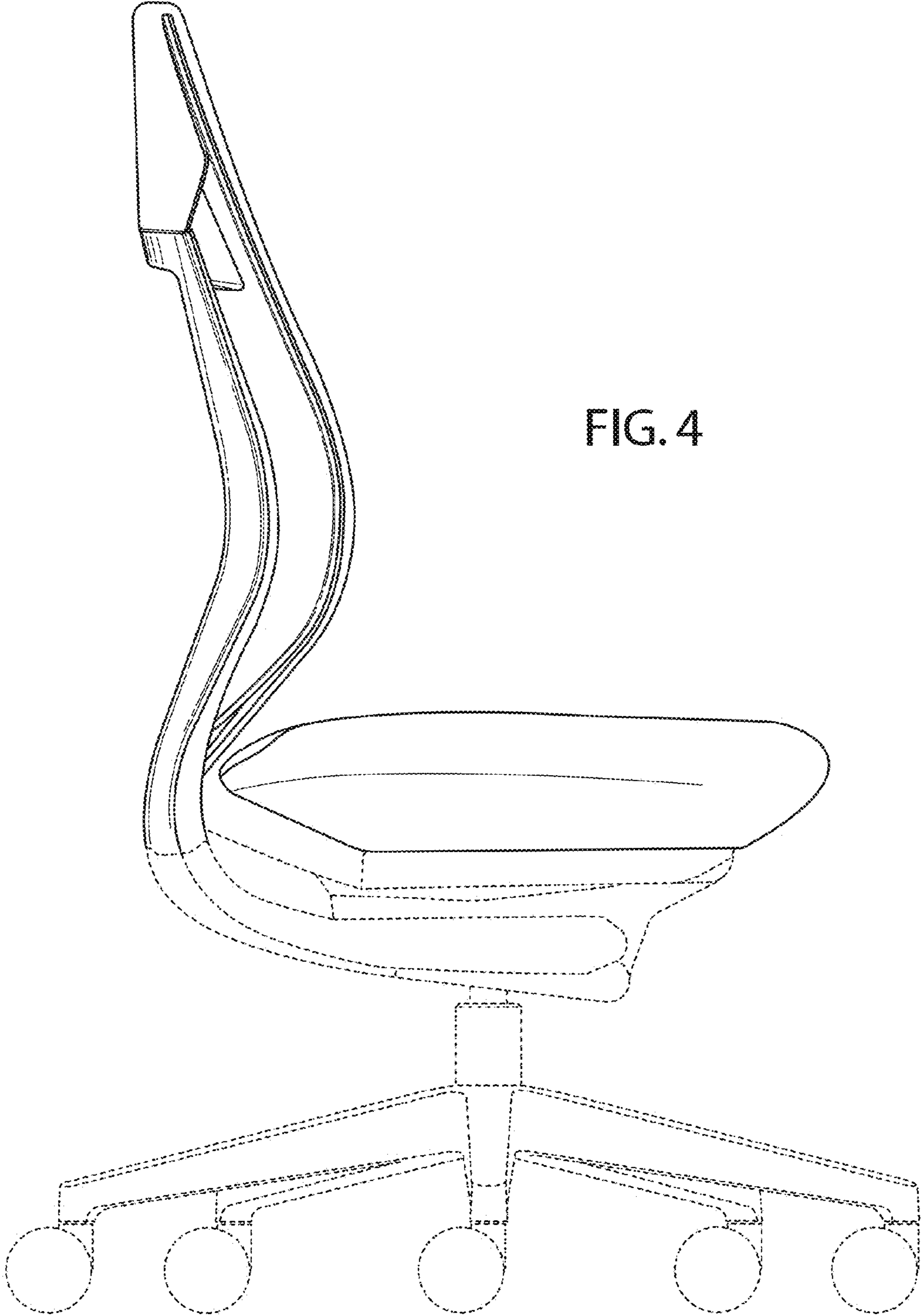


FIG. 4

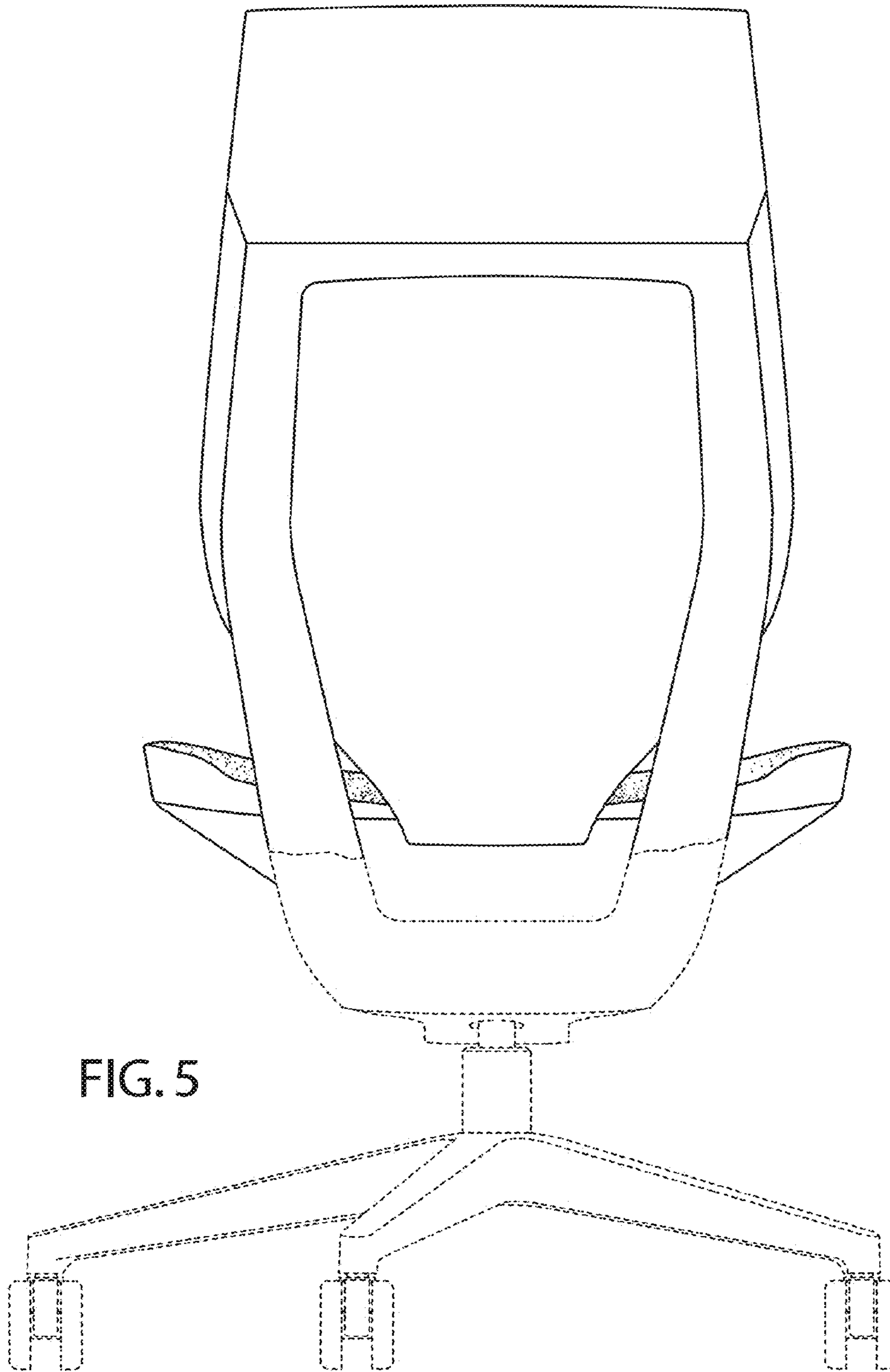


FIG. 6

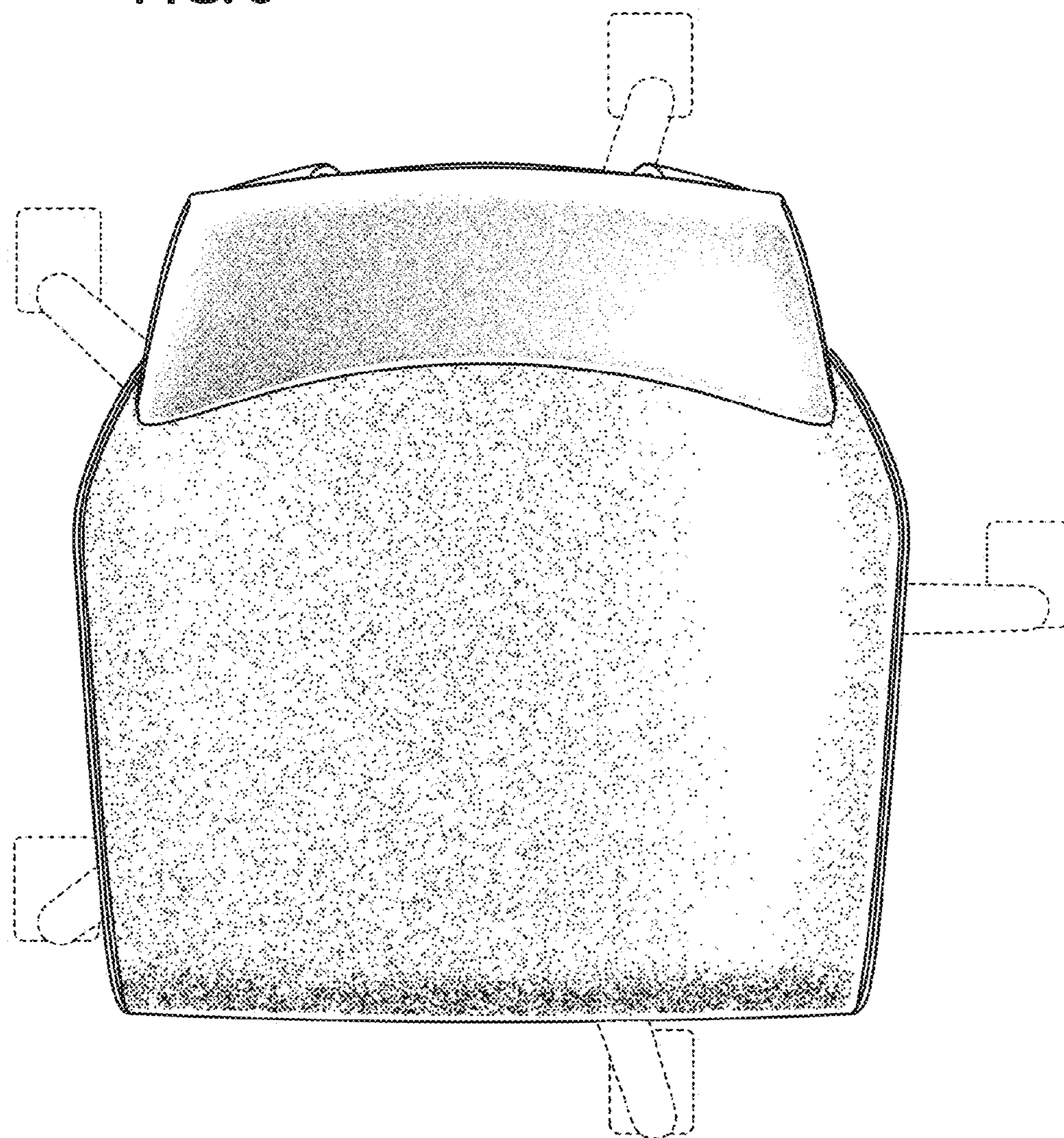
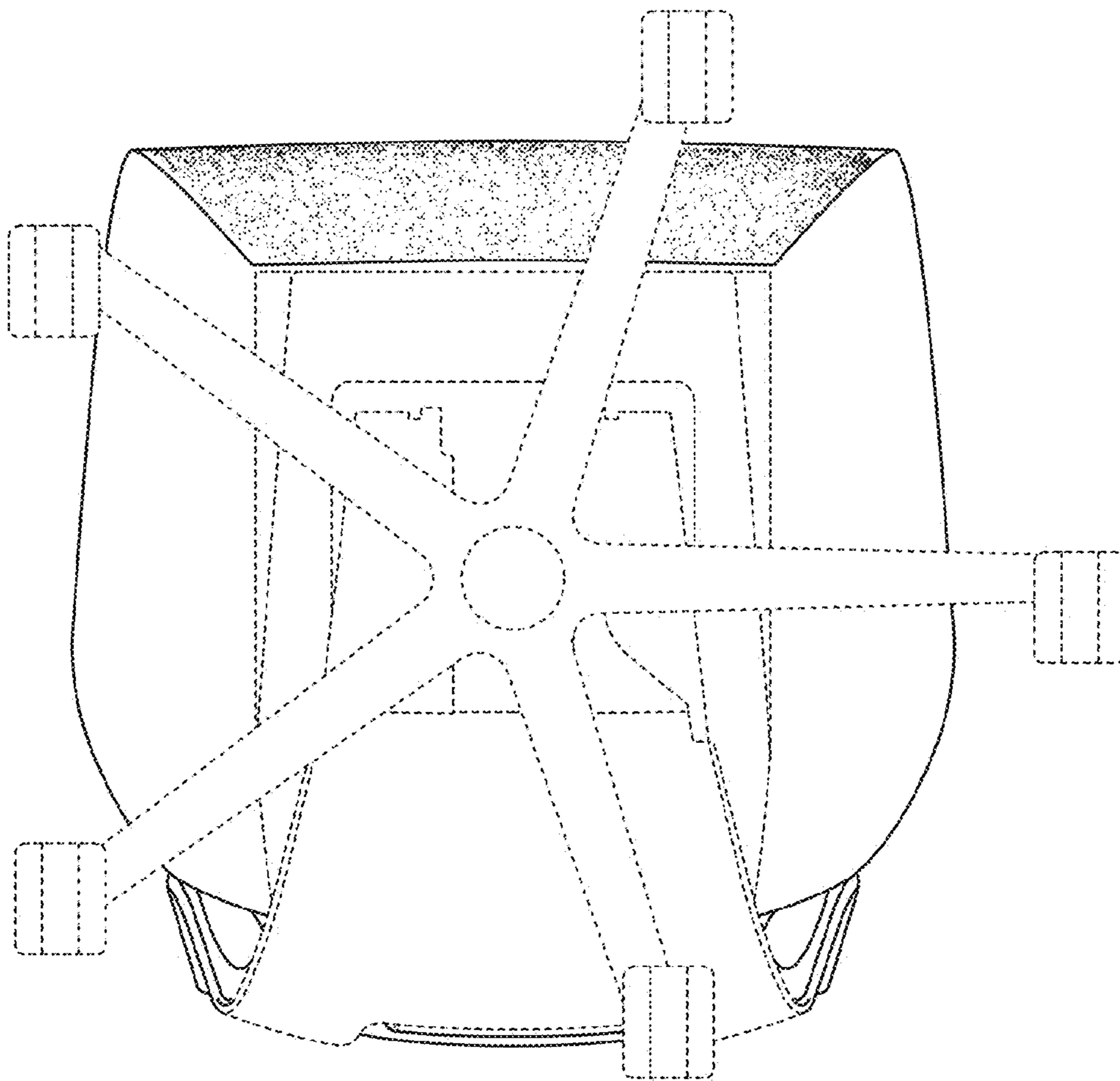


FIG. 7



UNITED STATES PATENT AND TRADEMARK OFFICE
CERTIFICATE OF CORRECTION

PATENT NO. : D688,498 S
APPLICATION NO. : 29/445956
DATED : August 27, 2013
INVENTOR(S) : Smith et al.

Page 1 of 1

It is certified that error appears in the above-identified patent and that said Letters Patent is hereby corrected as shown below:

On the title page, item 72, Inventors, Robert J. Batley should be Robert J. Battey.

Signed and Sealed this
Fifth Day of November, 2013



Teresa Stanek Rea
Deputy Director of the United States Patent and Trademark Office